



US00D914622S

(12) **United States Design Patent** (10) **Patent No.:** **US D914,622 S**
Reese et al. (45) **Date of Patent:** **** *Mar. 30, 2021**

(54) **DOUBLE DOORS FOR ELECTRICAL PANEL ENCLOSURE**

D365,086 S 12/1995 Spechts
5,822,180 A 10/1998 Deschamps et al.
6,445,585 B1 9/2002 Walker

(Continued)

(71) Applicant: **Eaton Intelligent Power Limited**,
Dublin (IE)

FOREIGN PATENT DOCUMENTS

(72) Inventors: **Robert J. Reese**, Highland, IL (US);
Ken Huggins, Plano, TX (US); **Jason S. Mevius**, McKinney, TX (US)

CN 201830589 U 5/2011
CN 204168660 U 2/2015

OTHER PUBLICATIONS

(73) Assignee: **Eaton Intelligent Power Limited**,
Dublin (IE)

Notice of Allowance, U.S. Appl. No. 29/584,833, dated Apr. 4, 2019, pp. 10.

(*) Notice: This patent is subject to a terminal disclaimer.

Primary Examiner — Selina Sikder

(**) Term: **15 Years**

(74) *Attorney, Agent, or Firm* — Stinson LLP

(21) Appl. No.: **29/677,245**

(57) **CLAIM**

(22) Filed: **Jan. 18, 2019**

The ornamental design for double doors for an electrical panel enclosure, as shown and described.

Related U.S. Application Data

DESCRIPTION

(62) Division of application No. 29/584,833, filed on Nov. 17, 2016, now Pat. No. Des. 857,639.

(51) **LOC (13) Cl.** **13-03**

(52) **U.S. Cl.**
USPC **D13/184**

(58) **Field of Classification Search**

USPC D13/158, 162, 163, 174, 184
CPC ... H02B 1/01; H02B 1/26; H02B 1/30; H05K 5/00; H05K 5/0004; H05K 5/0008; H05K 5/0017; H05K 5/03; H05K 5/04

See application file for complete search history.

FIG. 1 is a perspective view of the double doors for electrical panel enclosure showing our new design;
FIG. 2 is a front elevational view of the double doors;
FIG. 3 is a right elevational view of the double doors;
FIG. 4 is a top plan view of the double doors;
FIG. 5 is a rear elevational view of the double doors;
FIG. 6 is a left elevational view of the double doors;
FIG. 7 is a bottom plan view of the double doors;
FIG. 8 is an enlarged, fragmentary view of a left portion of FIG. 4;
FIG. 9 is an enlarged, fragmentary view of a right portion of FIG. 4; and,
FIG. 10 is an enlarged, fragmentary view of a center portion of FIG. 4.

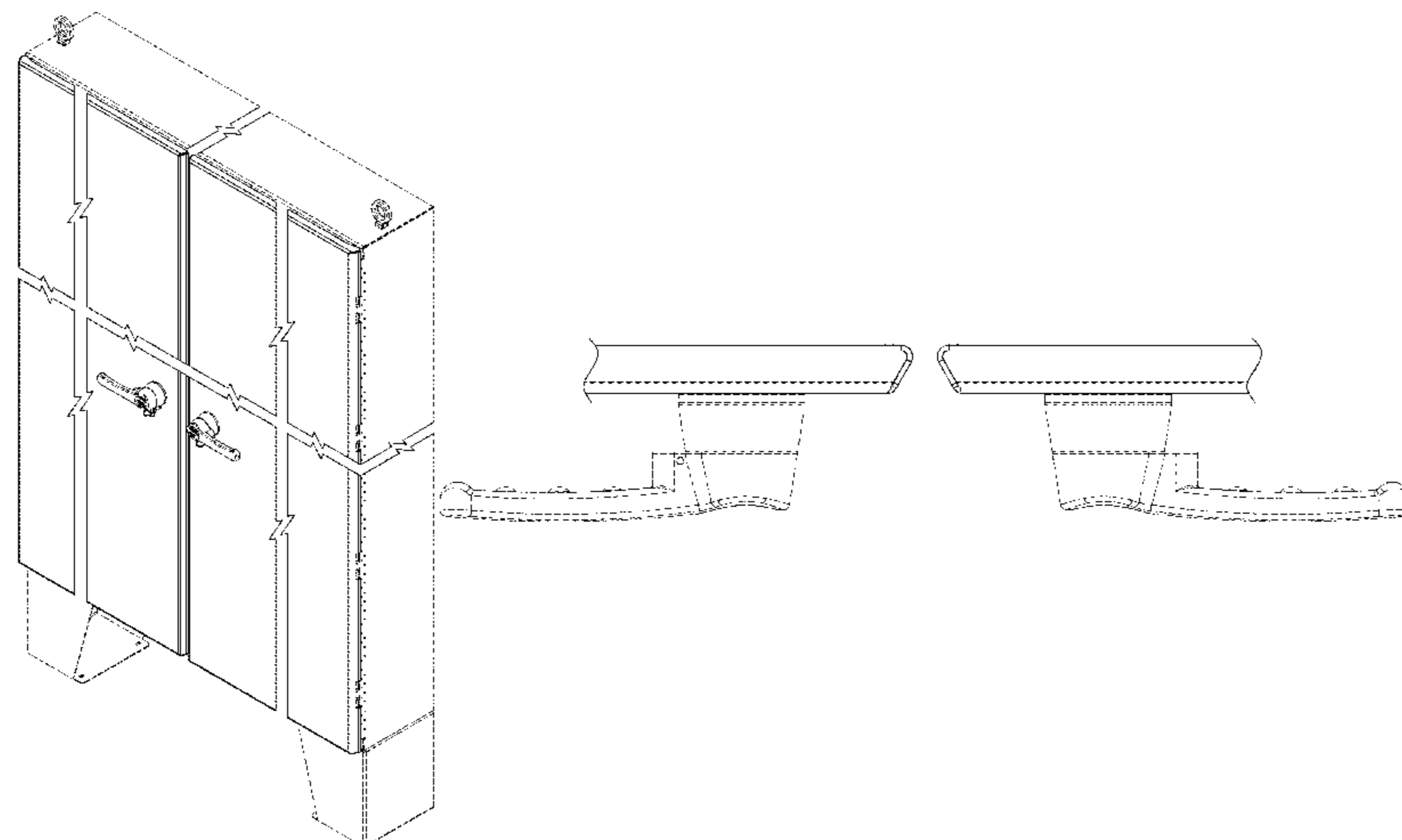
The double doors are shown broken away in FIGS. 1-7 of the drawing to indicate indeterminate height and width, it being understood that it has a uniform shape and appearance through its height and width.

(Continued)

(56) **References Cited**

U.S. PATENT DOCUMENTS

3,157,306 A 11/1964 Courson
D210,078 S 2/1968 Eck
D324,965 S 3/1992 Nelsen
D349,888 S 8/1994 Yamamoto et al.
5,467,250 A 11/1995 Howard et al.



Portions drawn in broken lines are for illustrative purposes only and form no part of the claimed design.

1 Claim, 9 Drawing Sheets

(56)

References Cited

U.S. PATENT DOCUMENTS

6,478,391	B1	11/2002	Stoever
D503,931	S	4/2005	Kauranen et al.
D543,161	S	5/2007	Stepputat
D588,081	S	3/2009	Lewis, II et al.
7,952,042	B2	5/2011	Coomer et al.
D653,224	S	1/2012	Jonas et al.
D670,510	S	11/2012	Daino et al.
D812,025	S	3/2018	Cagliani et al.
D830,975	S	10/2018	Vierjarvi et al.
2011/0001411	A1	1/2011	Boming et al.
2012/0062084	A1	3/2012	Lewis, II et al.
2012/0299455	A1	11/2012	Li et al.
2013/0342091	A1	12/2013	Walker et al.
2014/0104759	A1	4/2014	Takano
2015/0002006	A1	1/2015	Segroves et al.
2015/0075080	A1	3/2015	Ellingson
2015/0173253	A1	6/2015	Lewis, II et al.
2016/0219729	A1	7/2016	Omani et al.
2016/0255421	A1	9/2016	Farrar et al.
2016/0372896	A1	12/2016	Strong et al.
2017/0150636	A1	5/2017	Segroves et al.
2017/0172015	A1	6/2017	Yu et al.
2018/0098456	A1	4/2018	Schreier et al.
2018/0139859	A1	5/2018	Reese et al.
2018/0213667	A1	7/2018	Midday et al.
2018/0213670	A1	7/2018	Freire
2018/0213673	A1	7/2018	Eckberg et al.

FIG. 2

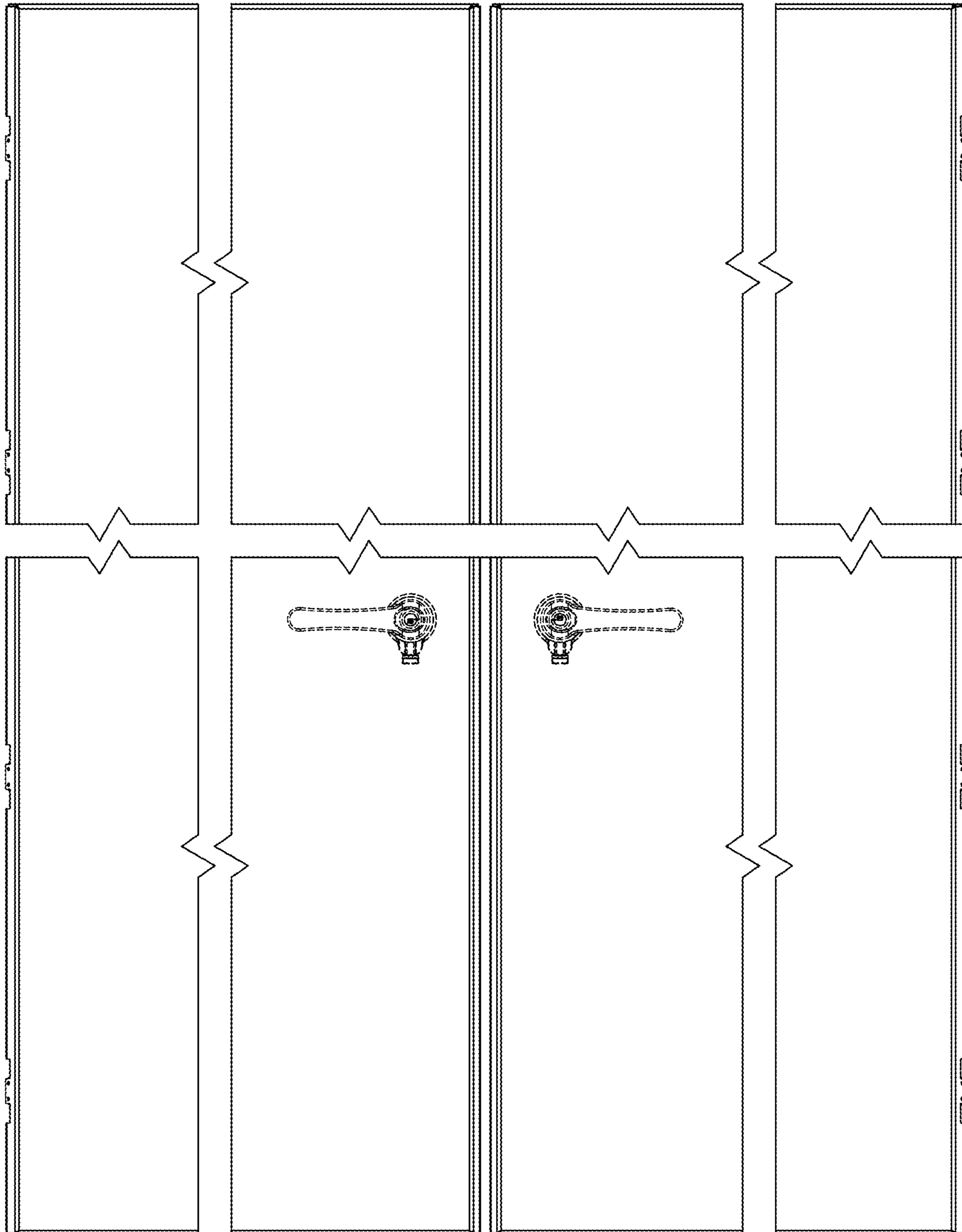


FIG. 3

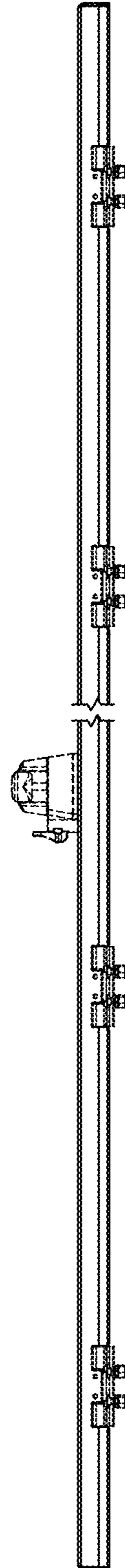


FIG. 4

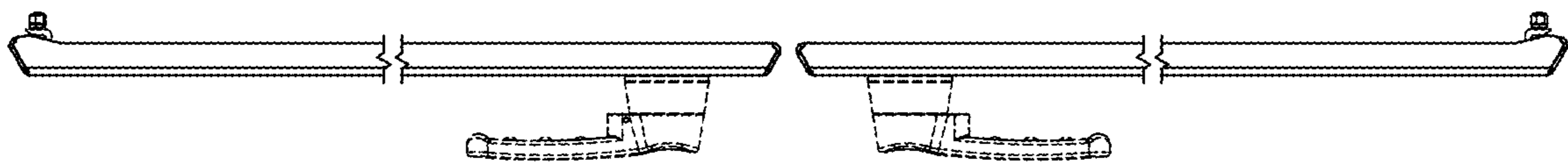


FIG. 5

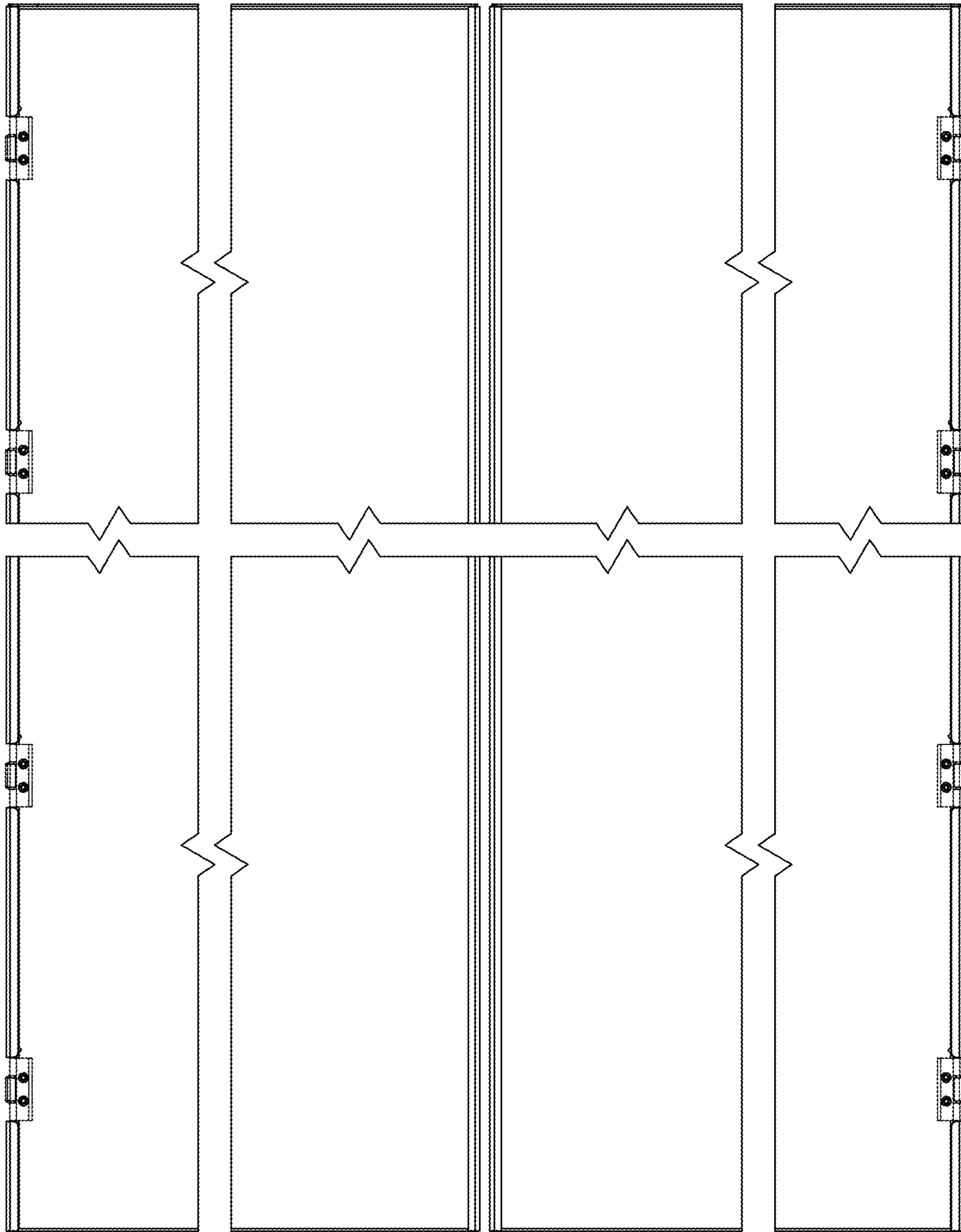


FIG. 6

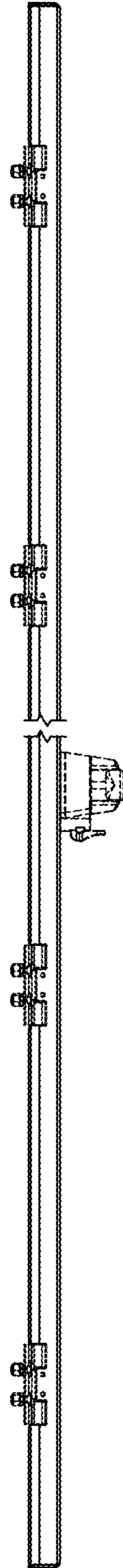


FIG. 7

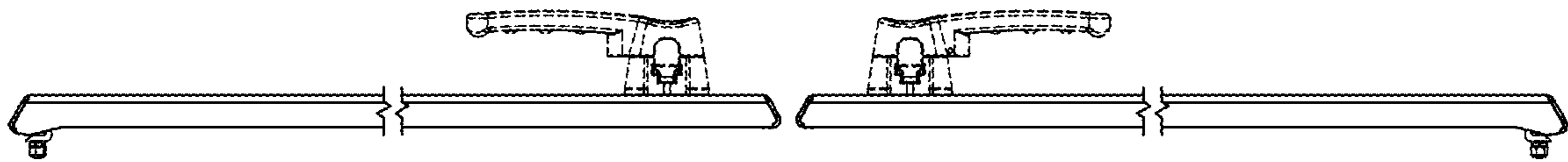


FIG. 8

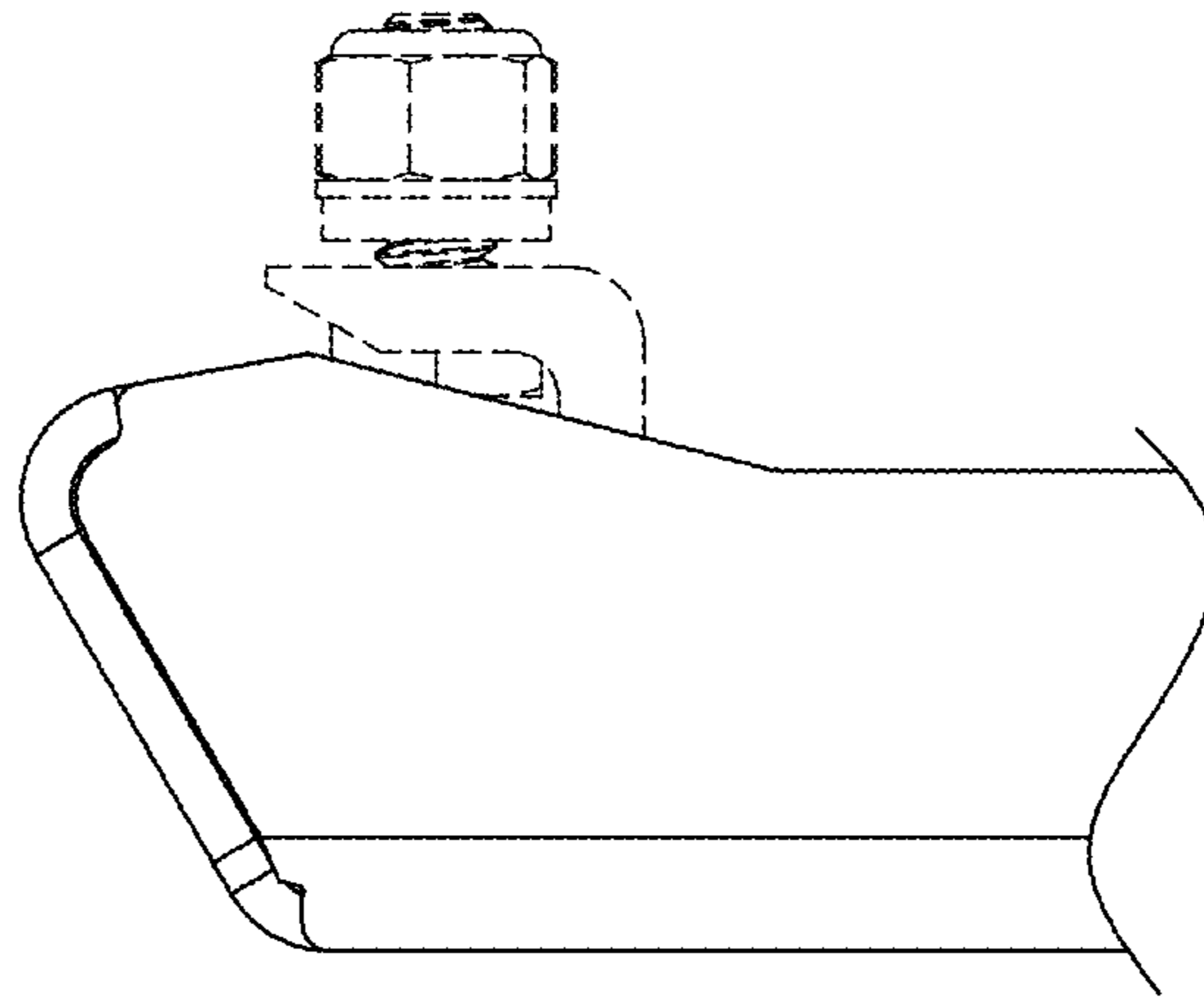


FIG. 9

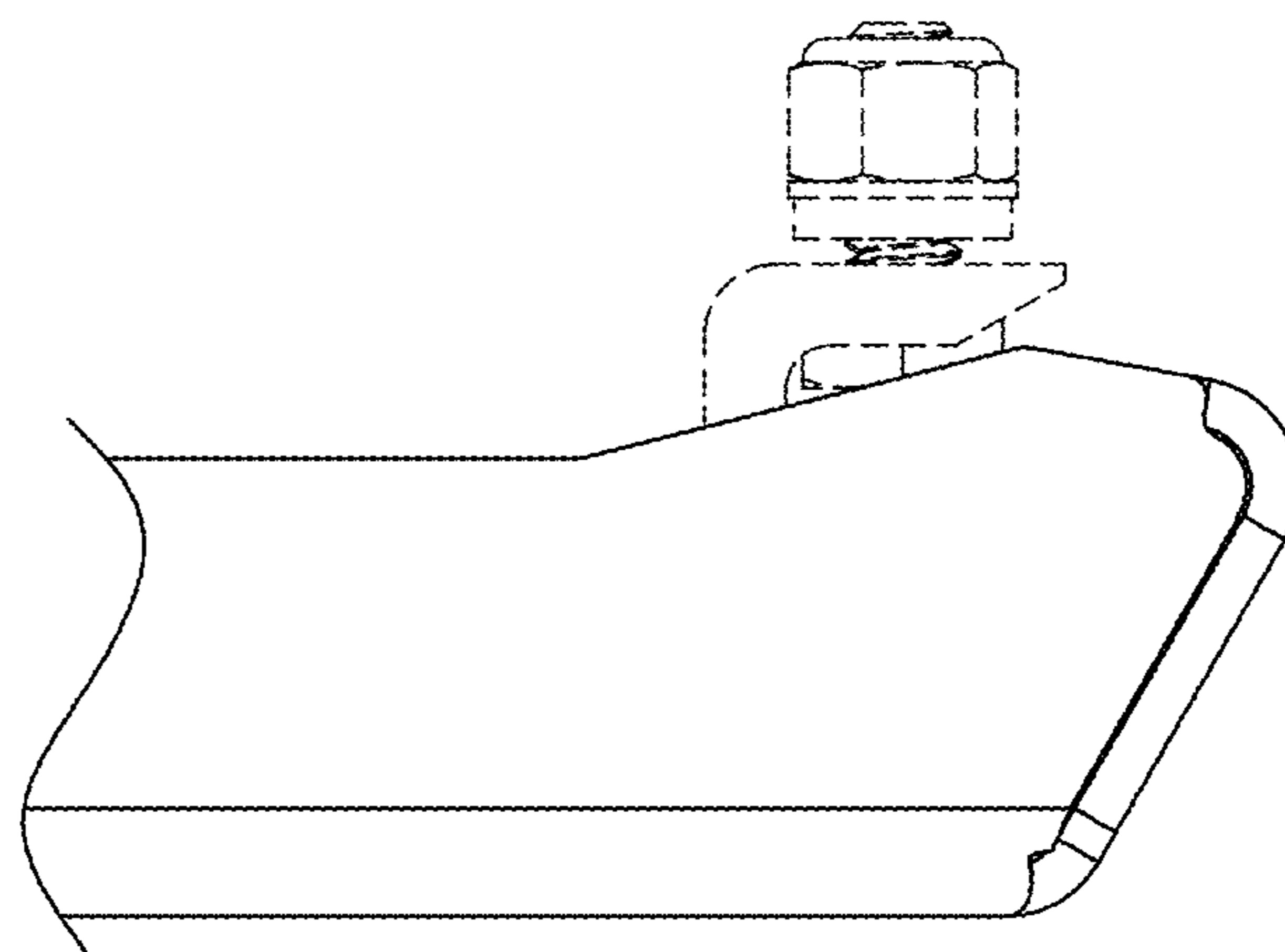


FIG. 10

