



US00D914619S

(12) **United States Design Patent**  
**Loussert**

(10) **Patent No.:** **US D914,619 S**  
(45) **Date of Patent:** **\*\* Mar. 30, 2021**

(54) **ELECTRIC ROTARY ACTUATOR**  
(71) Applicant: **Sonceboz Automotive S.A**, Sonceboz (CH)  
(72) Inventor: **Guillaume Loussert**, Besançon (FR)  
(\*\*) Term: **15 Years**  
(21) Appl. No.: **35/508,106**  
(22) Filed: **Jun. 13, 2019**  
(80) **Hague Agreement Data**  
Int. Filing Date: **Jun. 13, 2019**  
Int. Reg. No.: **DM/204472**  
Int. Reg. Date: **Jun. 13, 2019**  
Int. Reg. Pub. Date: **Dec. 13, 2019**

D571,290 S \* 6/2008 Gebhart ..... D13/112  
D614,149 S \* 4/2010 Crites ..... D13/174  
D614,150 S \* 4/2010 Crites ..... D13/174  
D663,268 S \* 7/2012 Andrieux ..... D13/122  
D678,194 S \* 3/2013 Lannoch ..... D13/112  
D701,168 S \* 3/2014 Hiemer ..... D13/112  
9,664,409 B2 \* 5/2017 Marak ..... F24F 11/72  
D808,452 S \* 1/2018 Watrin ..... D15/148  
10,054,166 B2 \* 8/2018 Bakken ..... F16K 31/055  
D844,038 S \* 3/2019 Alfano ..... D15/148  
D846,012 S \* 4/2019 Ishikawa ..... D15/149  
D857,935 S \* 8/2019 Tajima ..... D26/28  
D873,773 S \* 1/2020 Cao ..... D13/133  
D881,131 S \* 4/2020 Tovey ..... D13/146  
D901,392 S \* 11/2020 Gonzalez ..... D13/147  
D901,393 S \* 11/2020 Gonzalez ..... D13/147  
D901,394 S \* 11/2020 Gonzalez ..... D13/147  
D901,395 S \* 11/2020 Shimomaki ..... D13/147  
D901,402 S \* 11/2020 Mueller ..... D13/159  
D902,154 S \* 11/2020 Hirabayashi ..... D13/112  
2011/0043345 A1 \* 2/2011 Strahm ..... H05K 3/325  
340/438

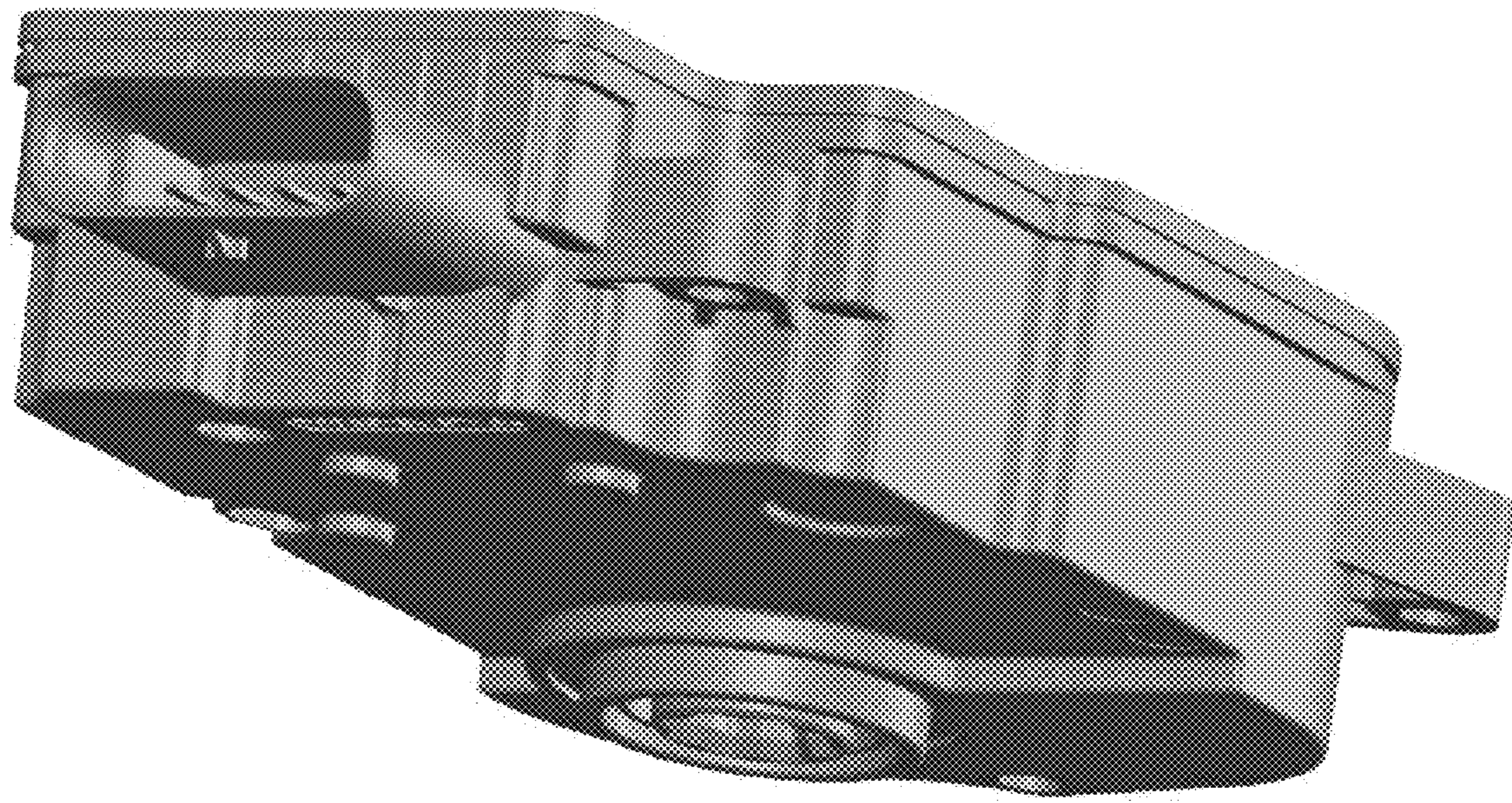
(51) **LOC (13) Cl.** ..... **13-03**  
(52) **U.S. Cl.**  
USPC ..... **D13/180**  
(58) **Field of Classification Search**  
USPC ..... D13/180, 146, 159, 147, 133, 112, 101,  
D13/174, 122; D15/149, 148; D12/345  
CPC ..... H01H 9/165; H05K 3/325; F24F 11/72;  
F16K 31/065; H02K 11/33  
See application file for complete search history.

\* cited by examiner  
*Primary Examiner* — Rhea Shields

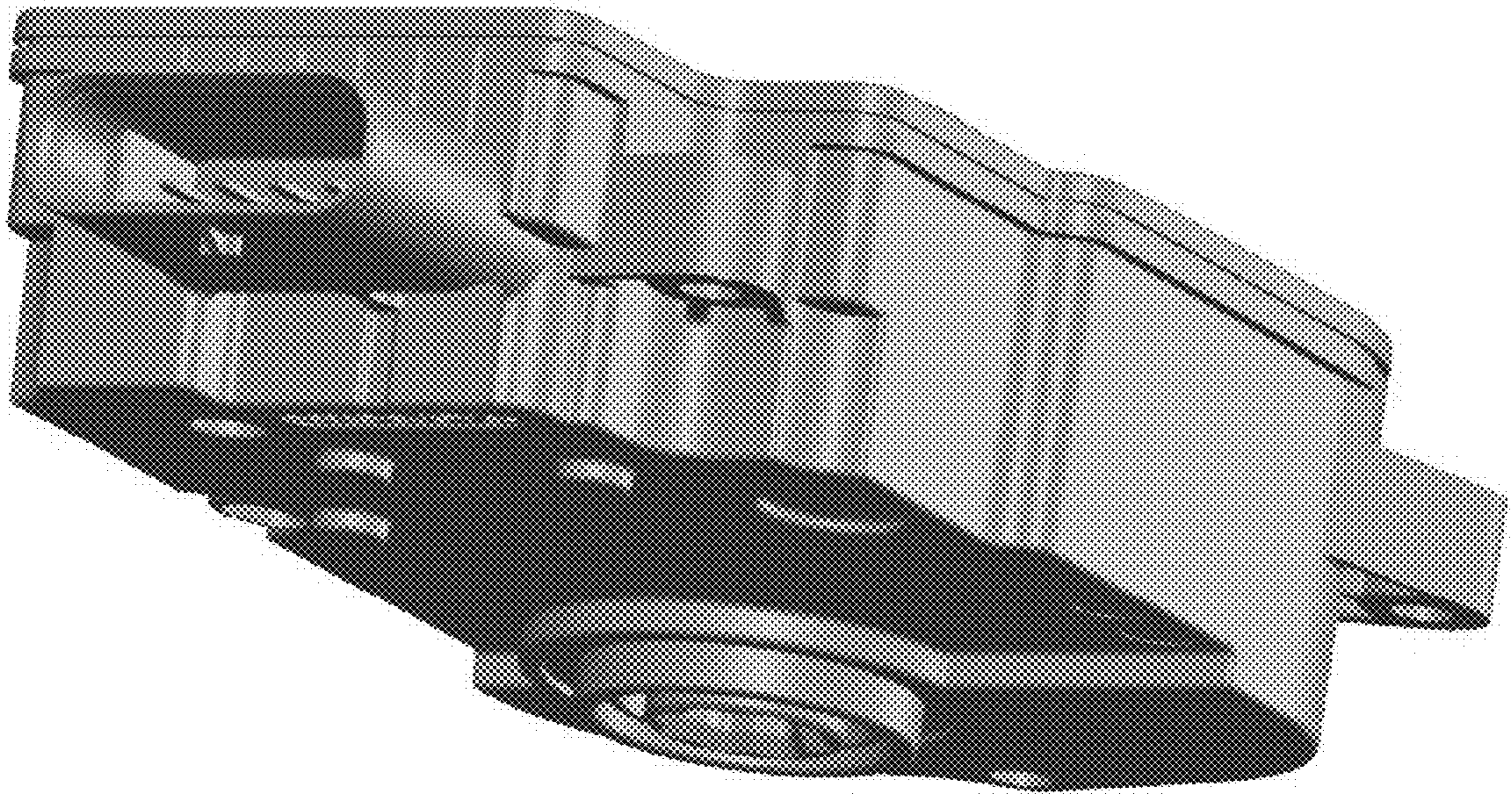
(56) **References Cited**  
U.S. PATENT DOCUMENTS  
D140,204 S \* 1/1945 Lear ..... D13/112  
D140,211 S \* 1/1945 Lear ..... D13/112  
D141,554 S \* 6/1945 Lear ..... D13/112  
D145,522 S \* 9/1946 Hilgeman ..... D12/345  
3,856,997 A \* 12/1974 Kilkes ..... H01H 9/165  
200/5 R  
5,714,816 A \* 2/1998 Jensen ..... H02K 11/33  
310/64  
D563,865 S \* 3/2008 Ahlgren ..... D13/101

(57) **CLAIM**  
The ornamental design for an electric rotary actuator, as shown and described.

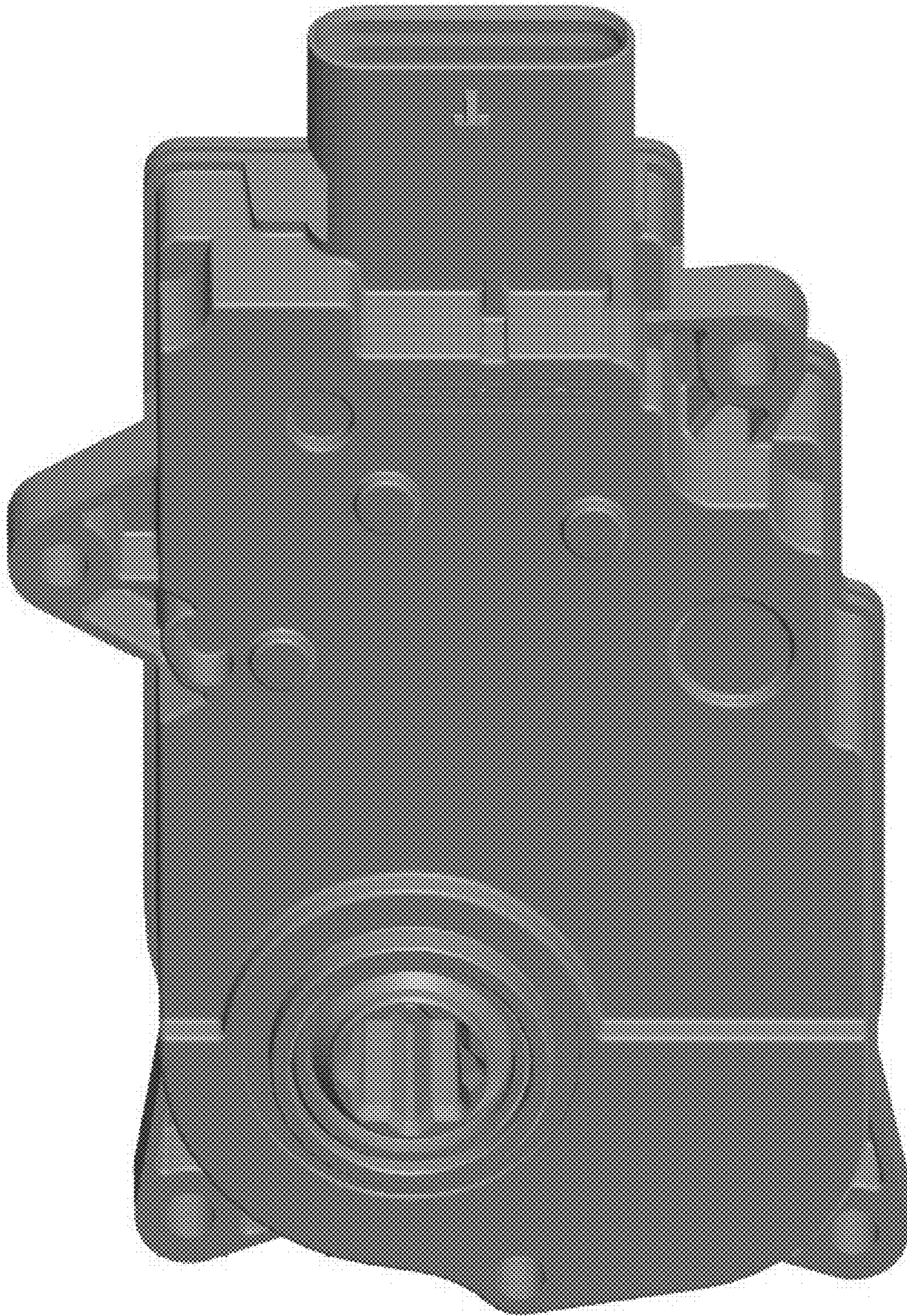
**DESCRIPTION**  
1. Electric rotary actuator  
**1.1** : bottom in rear right perspective  
**1.2** : bottom in rear centered perspective  
**1.3** : bottom in rear left perspective  
**1.4** : top view, front left perspective  
**1.5** : top view, front right perspective  
**1.6** : top view, front centered perspective  
**1 Claim, 6 Drawing Sheets**



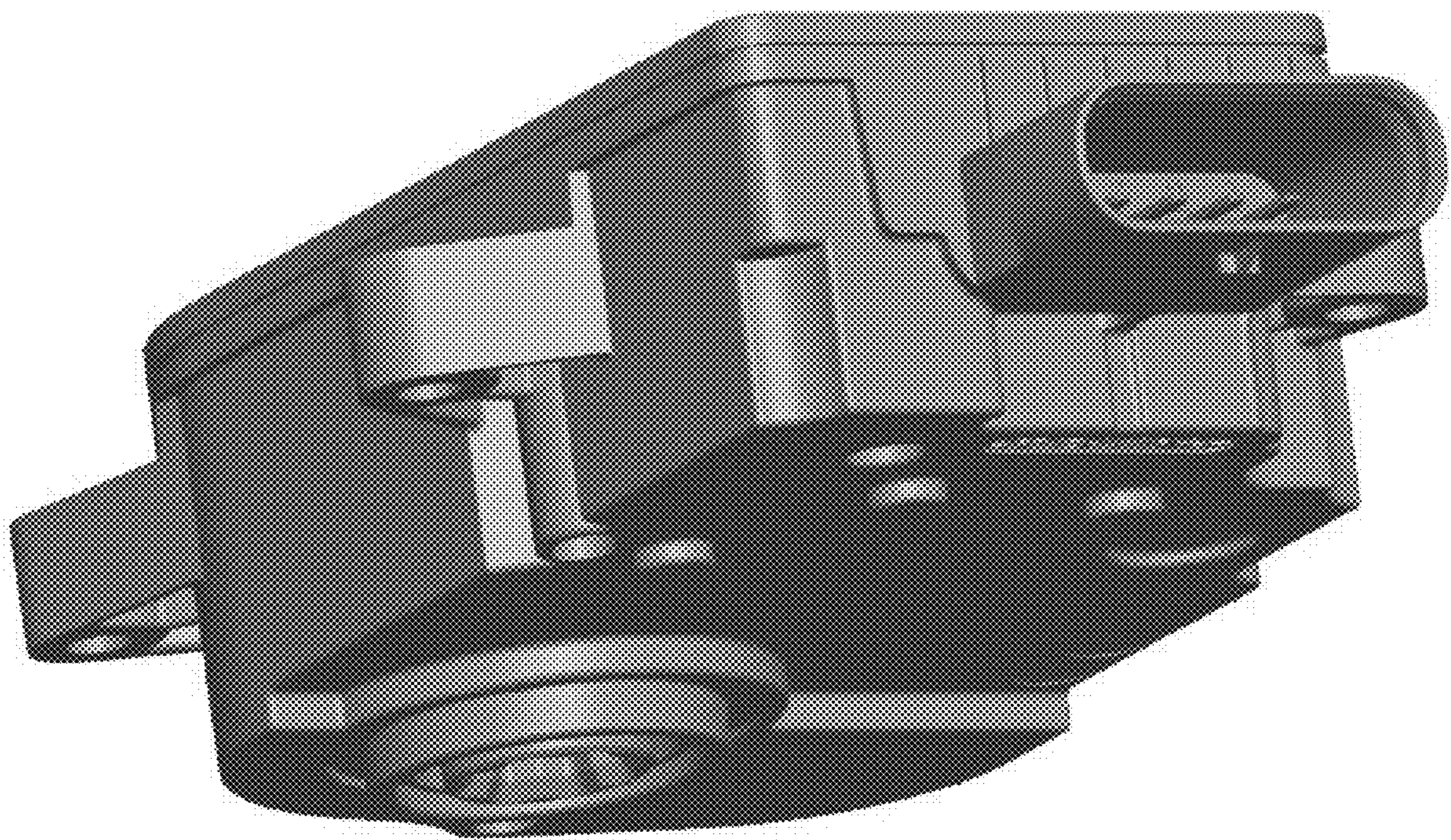
**1.1**



1.2



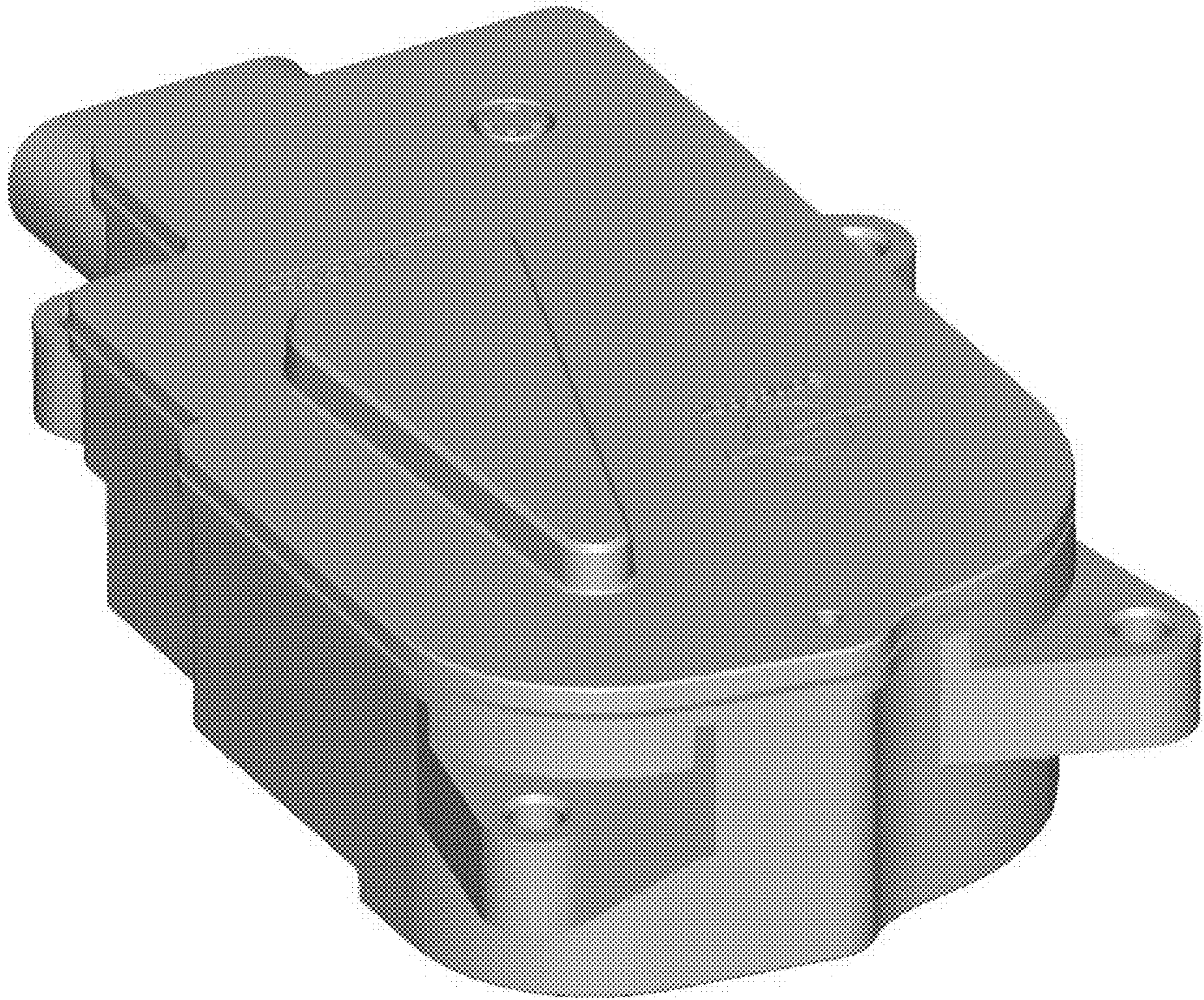
1.3



1.4



1.5



1.6

