



US00D914618S

(12) **United States Design Patent**
Neau et al.

(10) **Patent No.:** **US D914,618 S**
(45) **Date of Patent:** **** Mar. 30, 2021**

- (54) **SWITCH LOCKOUT DEVICE**
- (71) Applicant: **Master Lock Company LLC**, Oak Creek, WI (US)
- (72) Inventors: **Michael Neau**, Kenosha, WI (US);
Andrew Bartel, Franklin, WI (US)
- (73) Assignee: **Master Lock Company LLC**, Oak Creek, WI (US)
- (**) Term: **15 Years**
- (21) Appl. No.: **29/701,639**
- (22) Filed: **Aug. 13, 2019**
- (51) **LOC (13) Cl.** **13-03**
- (52) **U.S. Cl.**
USPC **D13/178**
- (58) **Field of Classification Search**
USPC D13/173, 178, 199; D8/330, 331
CPC H01H 9/20; H01H 9/28; H01H 9/282;
H01H 9/283; E05B 65/00
See application file for complete search history.

(56) **References Cited**

U.S. PATENT DOCUMENTS

- D365,547 S * 12/1995 Steinwachs D13/178
- 5,732,815 A 3/1998 Brouwer
- 6,617,532 B1 9/2003 Turek
- 6,696,651 B1 * 2/2004 Koopmeiners H01H 9/286
200/43.14
- D535,629 S 1/2007 Kalous et al.

- 7,262,376 B2 8/2007 Brojanac et al.
- D564,337 S 3/2008 Brojanac et al.
- D564,859 S * 3/2008 Brojanac D13/178
- 9,202,646 B2 * 12/2015 Obenshain H01H 9/20
- 9,208,964 B2 12/2015 Dudgeon et al.
- D808,345 S * 1/2018 Benda D13/178
- 9,875,858 B2 * 1/2018 Montgomery H01H 9/283
- D845,257 S * 4/2019 Benda D13/178
- 10,354,812 B1 * 7/2019 Enger H01H 9/283

* cited by examiner

Primary Examiner — Selina Sikder

(74) *Attorney, Agent, or Firm* — Calfee, Halter & Griswold LLP

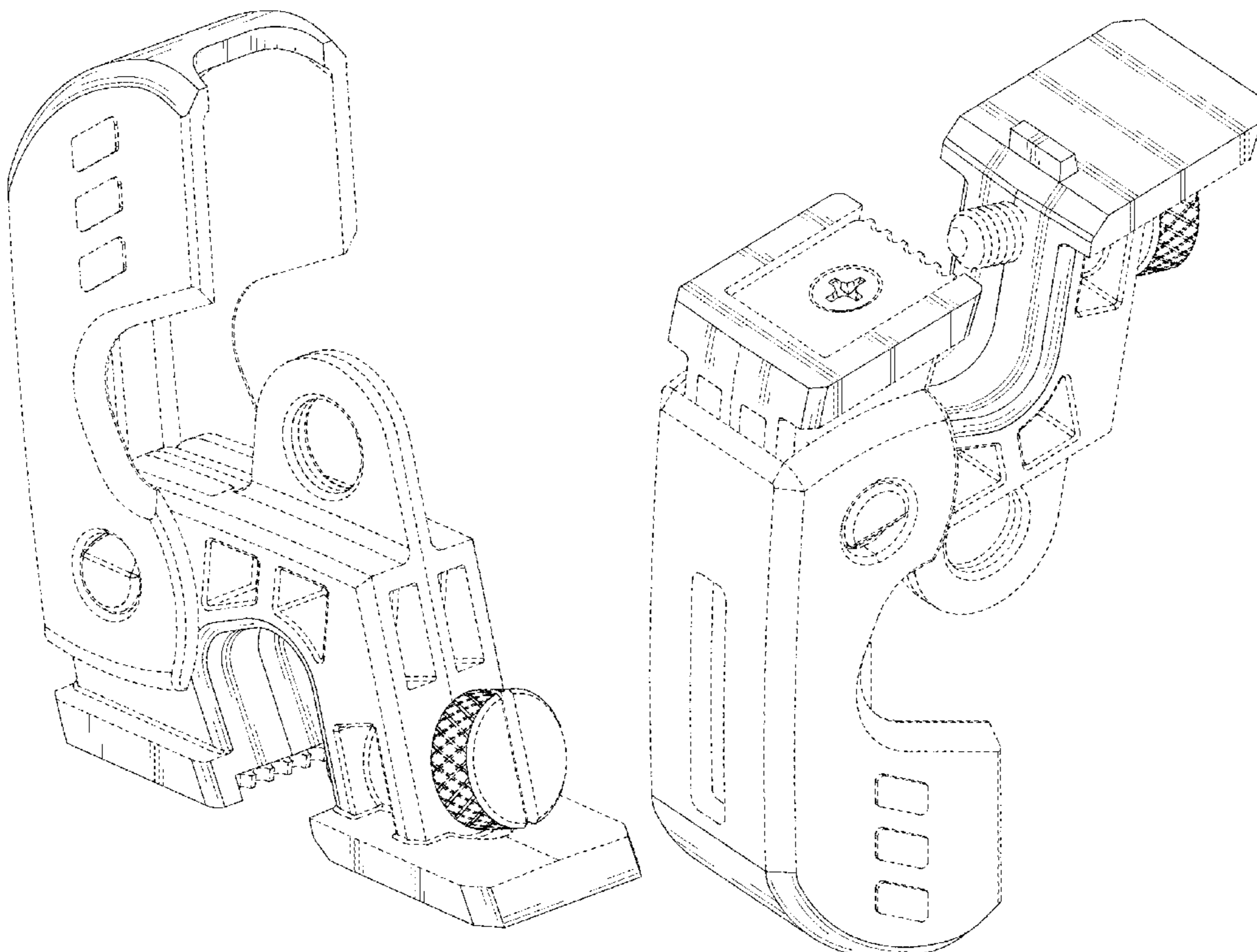
(57) **CLAIM**

We claim the ornamental design for a switch lockout device, as shown and described.

DESCRIPTION

FIG. 1 is an upper perspective view of the switch lockout device, shown with the cover in the open position; FIG. 2 is a lower perspective view thereof; FIG. 3 is a top plan view thereof; FIG. 4 is a right side elevational view thereof; FIG. 5 is a left side elevational view thereof; FIG. 6 is a bottom plan view thereof; FIG. 7 is a front elevational view thereof; and, FIG. 8 is a rear elevational view thereof. The portions of the switch lockout device in broken lines are for illustrative purpose only and form no part of the claimed design.

1 Claim, 5 Drawing Sheets



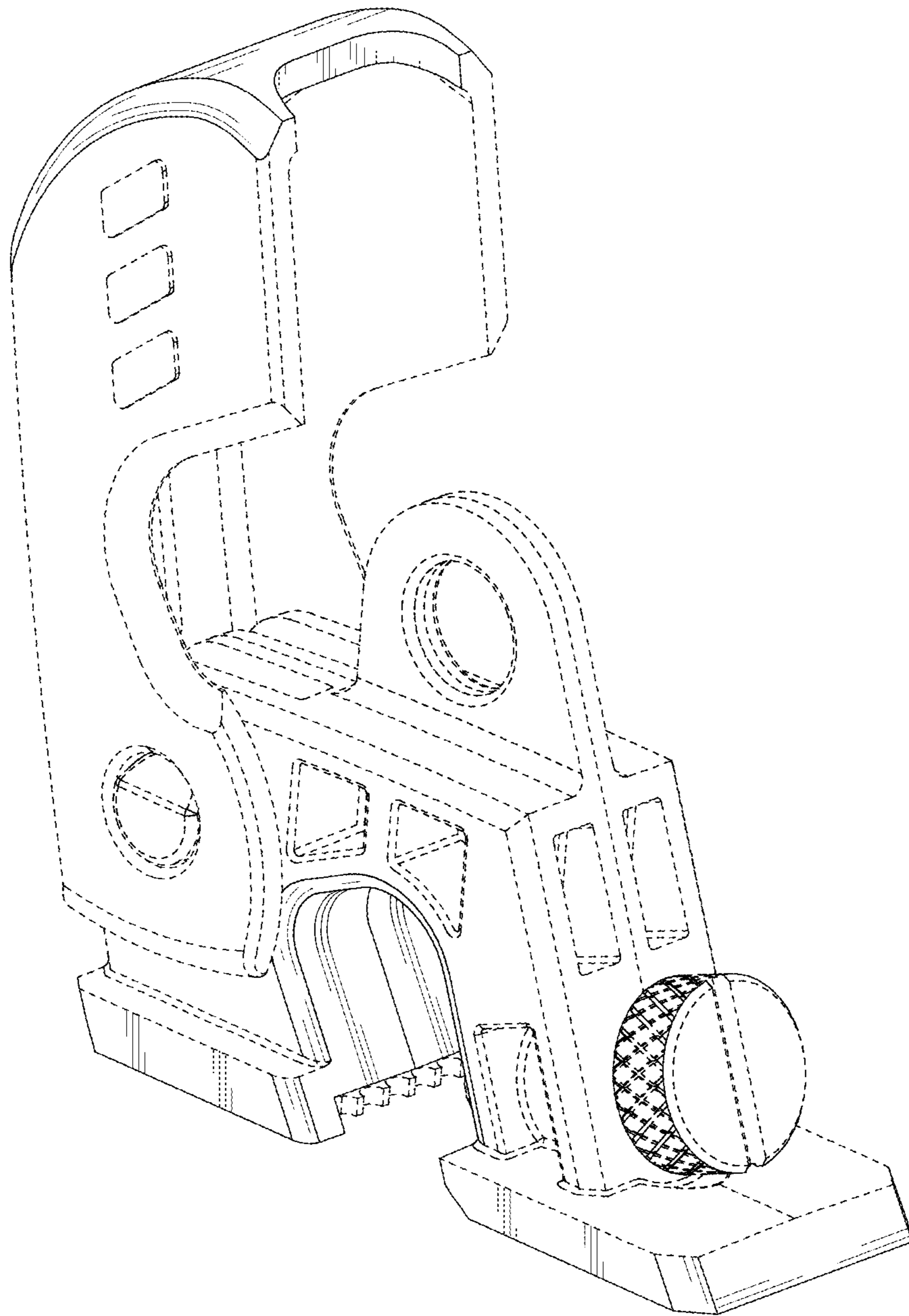


FIG. 1

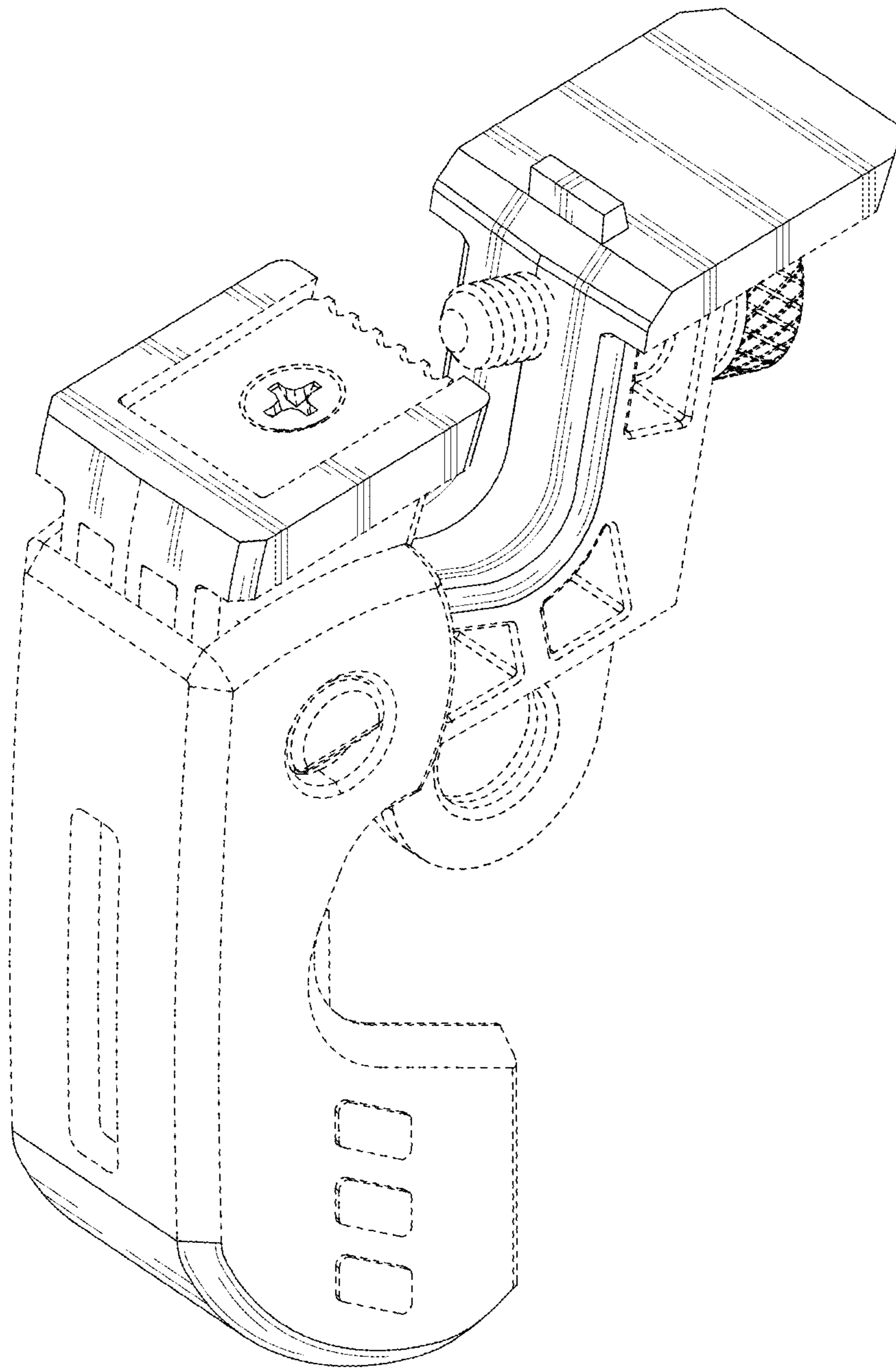


FIG. 2

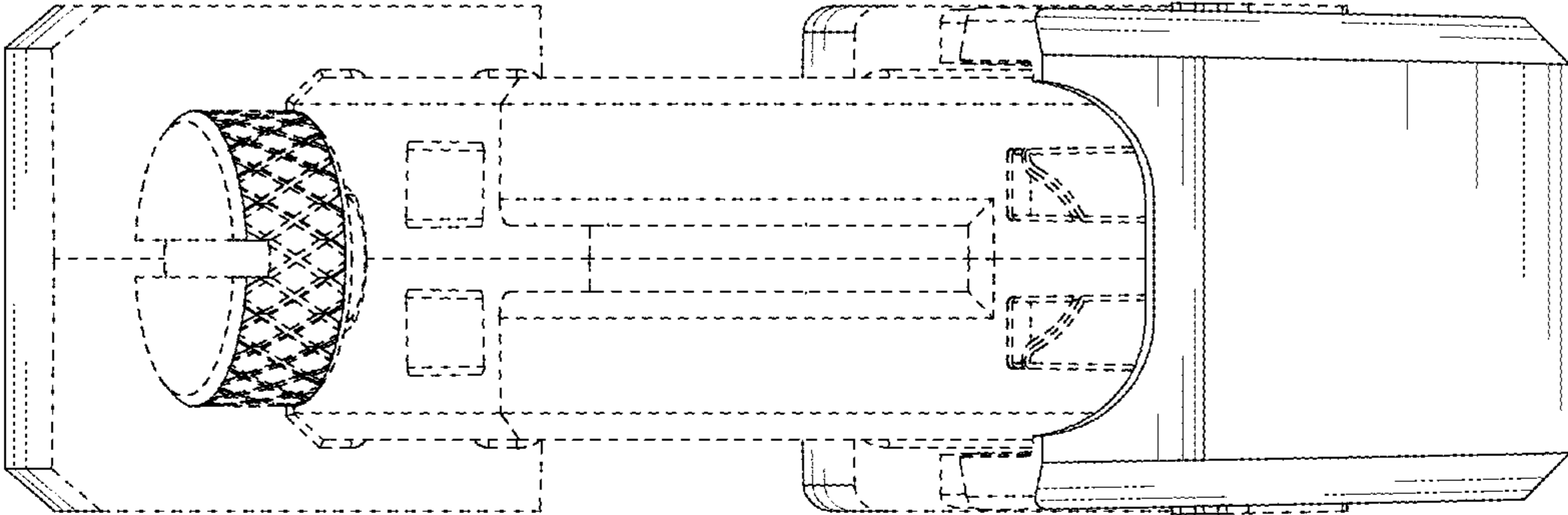


FIG. 3

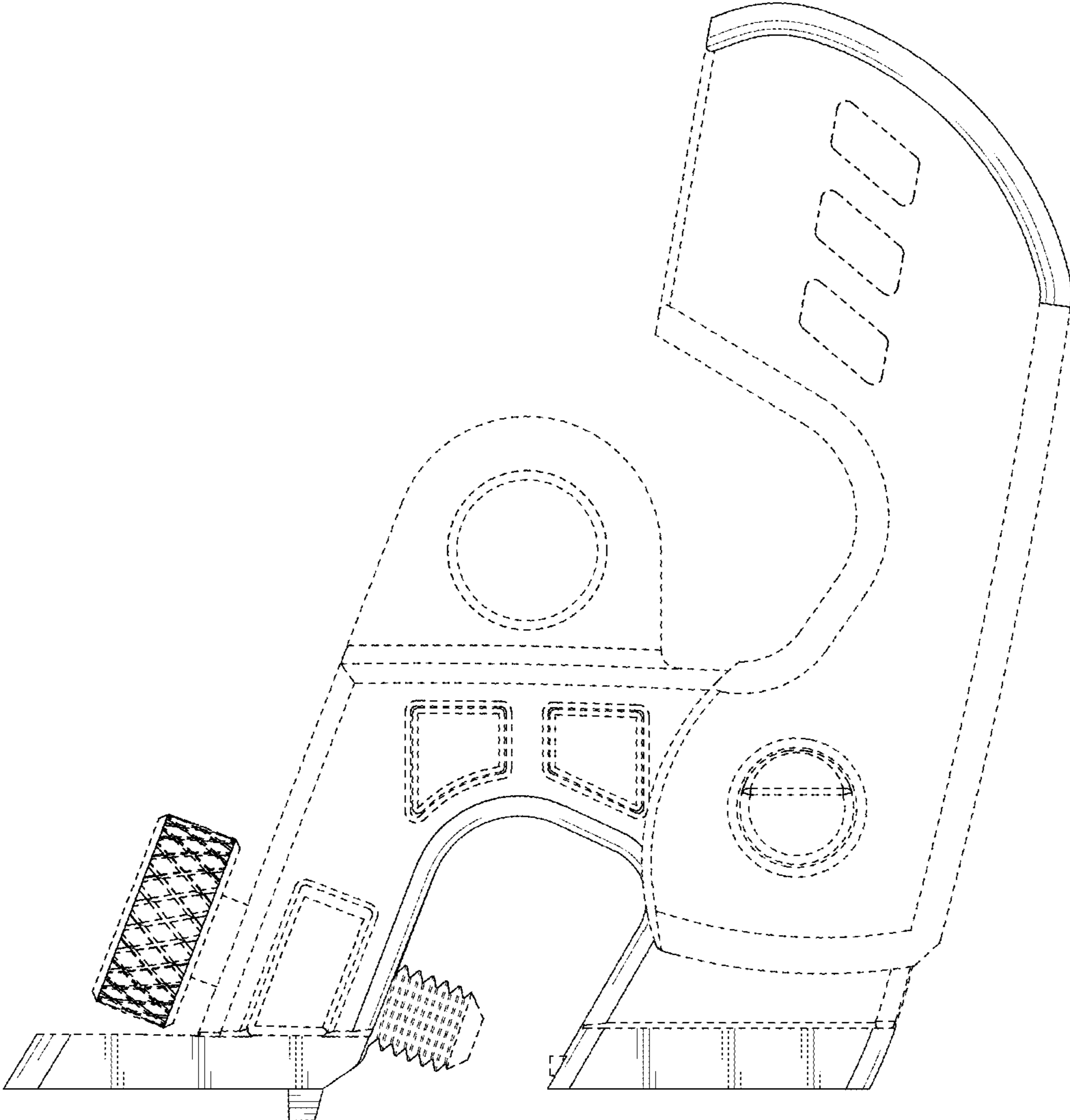


FIG. 4

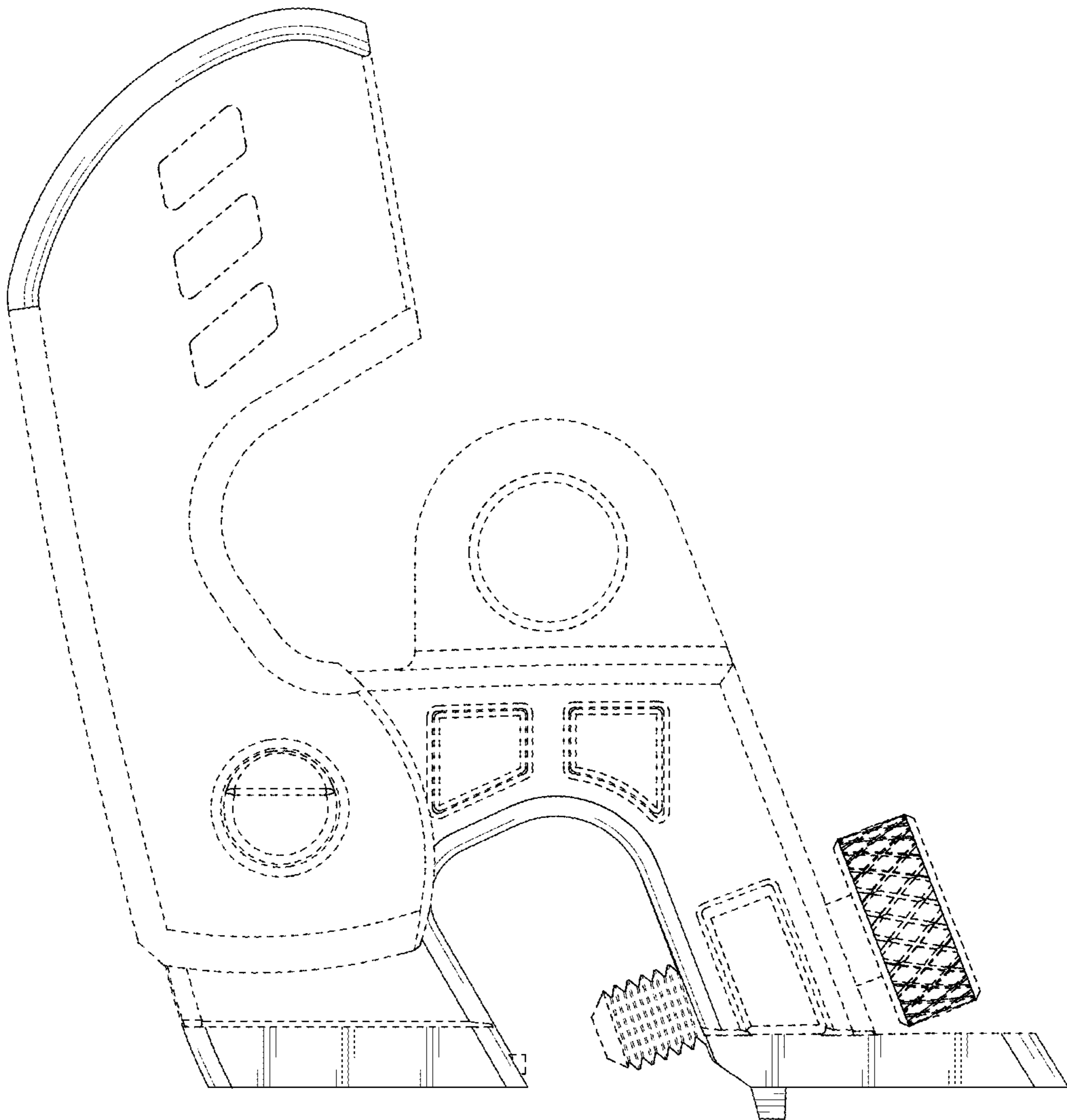


FIG. 5

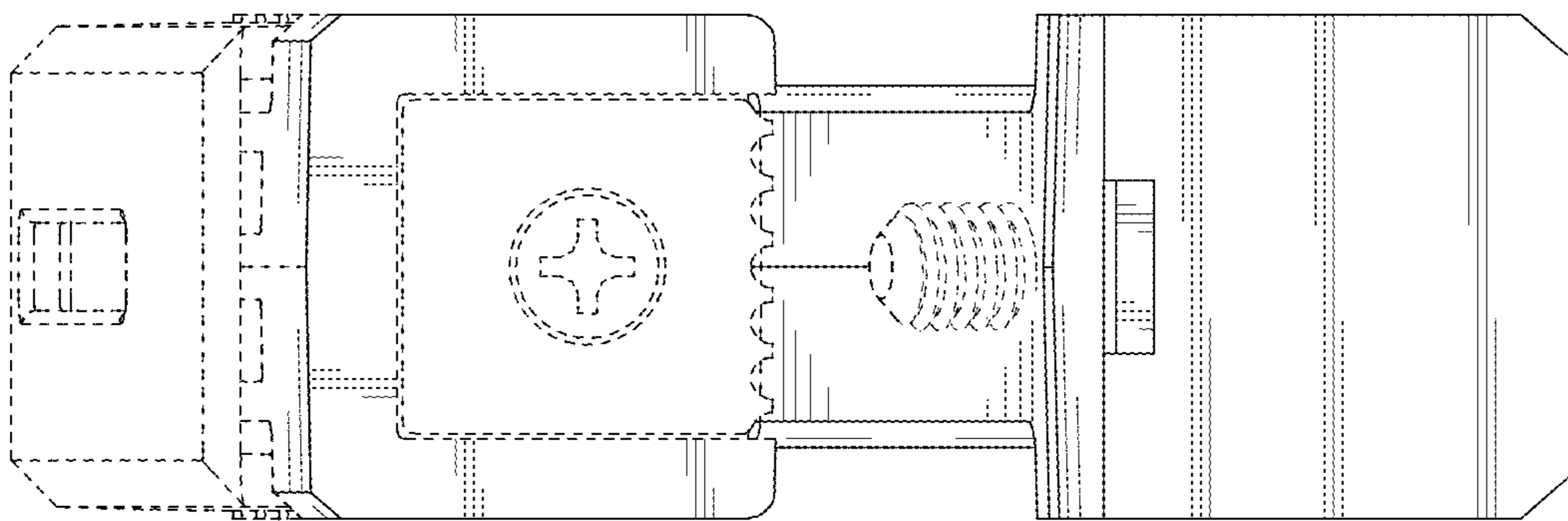


FIG. 6

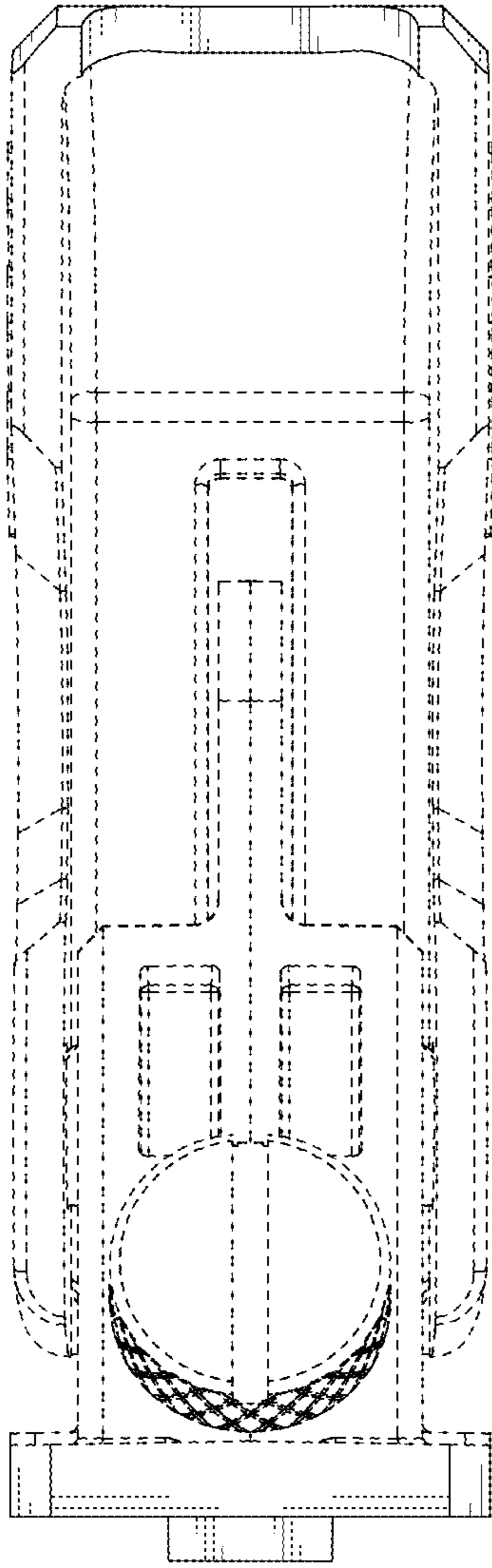


FIG. 7

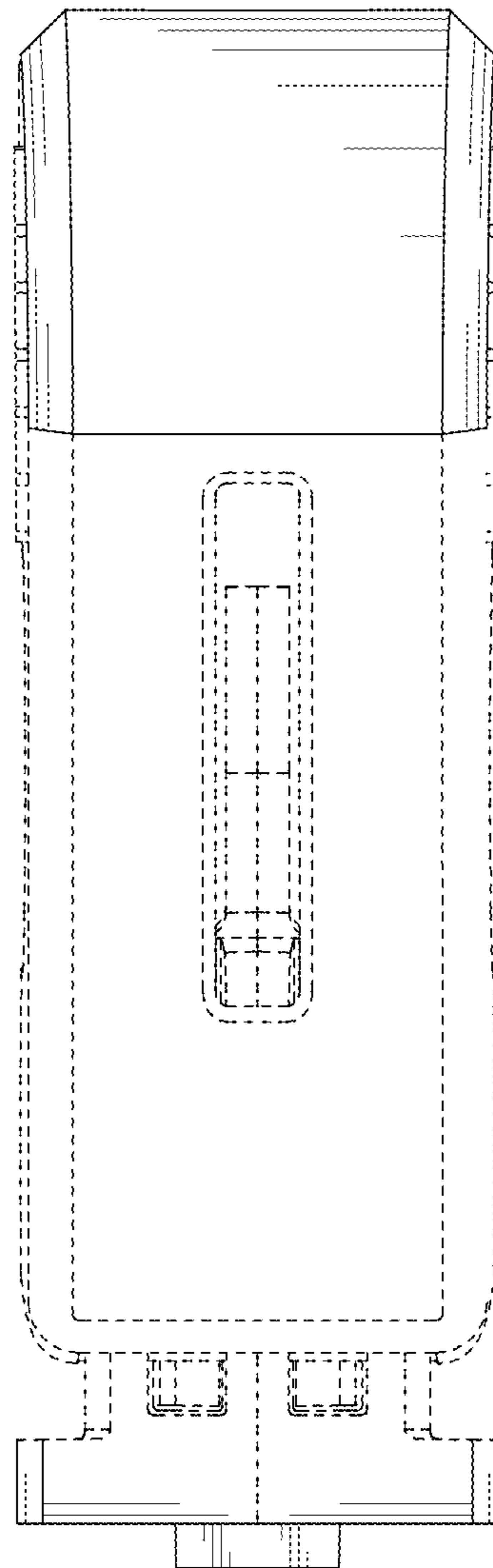


FIG. 8