



US00D914615S

(12) **United States Design Patent** (10) **Patent No.:** **US D914,615 S**
Yi (45) **Date of Patent:** **** Mar. 30, 2021**

(54) **CONTROLLER APPARATUS FOR VEHICLE LIGHT**

(71) Applicant: **Yong Guk Yi**, Corona, CA (US)

(72) Inventor: **Yong Guk Yi**, Corona, CA (US)

(**) Term: **15 Years**

(21) Appl. No.: **29/722,068**

(22) Filed: **Jan. 26, 2020**

(51) **LOC (13) Cl.** **14-03**

(52) **U.S. Cl.**
USPC **D13/168**

(58) **Field of Classification Search**
USPC D13/153, 158, 162, 168; D14/155, 188, D14/217, 218, 225, 433; D3/207, 208; D26/123
CPC H03J 1/0025; H03J 9/00; H03J 9/02; H03J 9/04; H03J 9/06; H01H 9/0228; H01H 9/0235; H04B 1/202; G05B 11/01; G08C 17/00; G08C 17/02; G08C 19/28; G08C 23/04; H05B 45/00; H05B 47/10; H05B 47/19; F21S 4/00; F21S 4/10; F21S 4/28; B60Q 3/00; B60Q 3/10; B60Q 3/12; B60Q 3/16; B60Q 3/18
See application file for complete search history.

(56) **References Cited**

U.S. PATENT DOCUMENTS

D338,102 S * 8/1993 McGuire D3/207
D435,580 S * 12/2000 Grinkus D14/218
D484,467 S * 12/2003 de Leon D13/168
D572,230 S * 7/2008 Neu D14/155
D576,611 S * 9/2008 Wilson D14/225
D619,558 S * 7/2010 Seil D14/155
D638,394 S * 5/2011 Richards D14/155
D664,146 S * 7/2012 Hoehn D14/433
D684,122 S * 6/2013 Strater D13/153
D726,831 S * 4/2015 Lee D21/333
D743,381 S * 11/2015 Pi D14/218
9,627,823 B1 * 4/2017 McClurkan H01R 13/7038
D789,366 S * 6/2017 Jentz D14/388

D793,995 S * 8/2017 Nakagawa D14/218
D822,643 S * 7/2018 Chen D14/218
D830,979 S * 10/2018 Hung D13/171
D840,954 S * 2/2019 Wu D13/168
D866,485 S * 11/2019 Aromin D13/160
D875,692 S * 2/2020 Shi D13/168
D886,061 S * 6/2020 Wang D13/133
D901,446 S * 11/2020 Lee D14/218
2004/0224717 A1 * 11/2004 Hertzberg H04M 1/22
455/550.1
2015/0224919 A1 * 8/2015 Sobecki B60Q 1/2615
353/13

(Continued)

OTHER PUBLICATIONS

Mictuning 2nd Gen RGB LED Rock Lights with Bluetooth Controller; Oct. 29, 2015; 2pgs; https://www.amazon.com/MICTUNING-2nd-Gen-Bluetooth-Controller-Function/dp/B01FWXT111/ref=asc_df_B01FWXT111/?tag=hyprod-20&linkCode=df0&hvadid=312128189269&hvpos=&hvnetw=g&hvrand=3039834395714504537&hvpone=&hvptwo=&hvqmt=&hvdev=c&hv.*

(Continued)

Primary Examiner — Selina Sikder
(74) *Attorney, Agent, or Firm* — Alexander Chen, Esq.

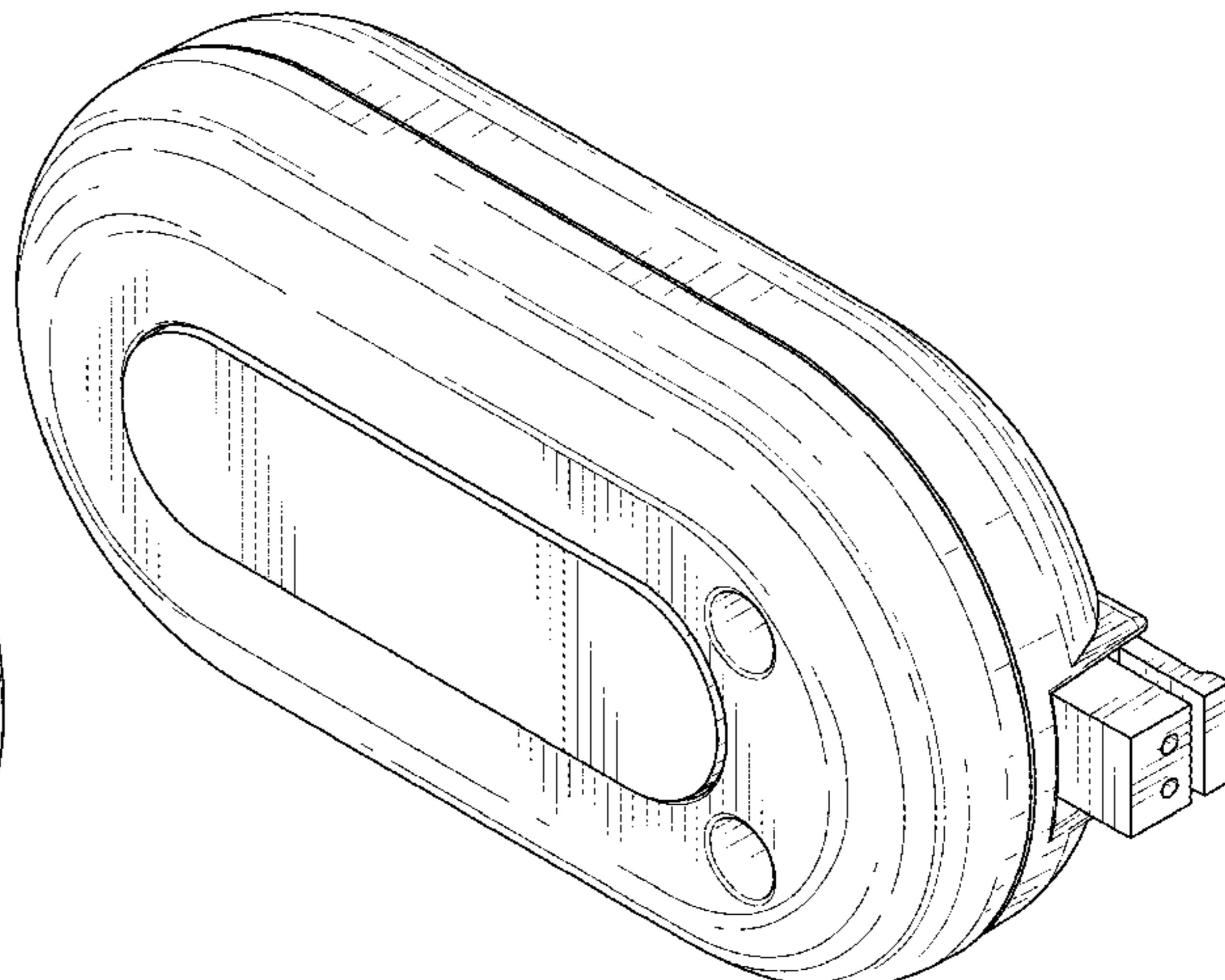
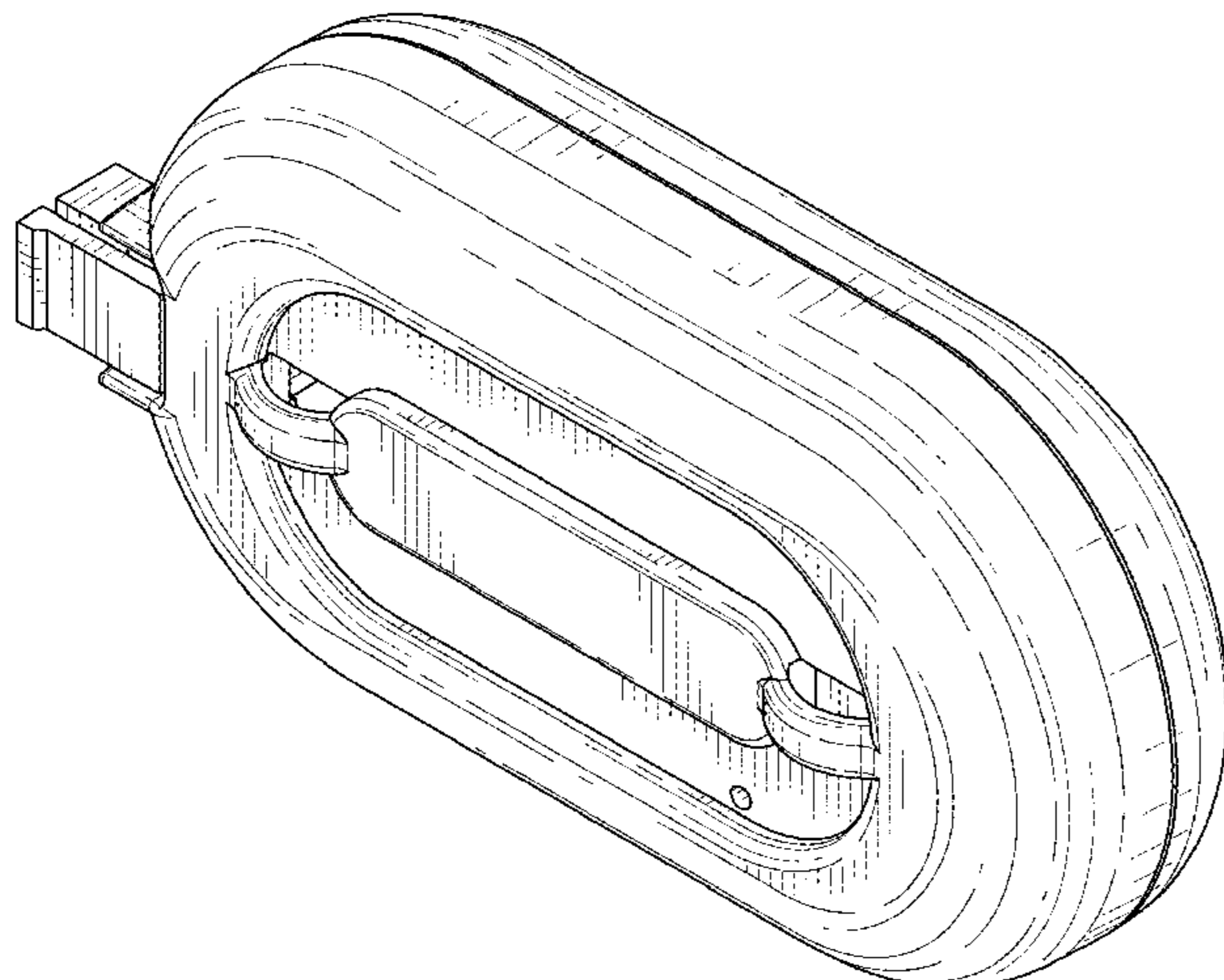
(57) **CLAIM**

The ornamental design for a controller apparatus for vehicle light, as shown and described.

DESCRIPTION

FIG. 1 is a front perspective view of the controller apparatus for vehicle light showing my new design; FIG. 2 is a front elevation view thereof; FIG. 3 is a back elevation view thereof; FIG. 4 is a right side elevation view thereof; FIG. 5 is a left side elevation view thereof; FIG. 6 is a top plan view thereof; FIG. 7 is a bottom plan view thereof; and, FIG. 8 is a back perspective view thereof.

1 Claim, 5 Drawing Sheets



(56)

References Cited

U.S. PATENT DOCUMENTS

2019/0274225 A1* 9/2019 Takahashi H05K 5/0004

OTHER PUBLICATIONS

Tachico RGB LED Rock Lights ; Oct. 27, 2019; 2 pgs.;https://www.amazon.com/TACHICO-Multicolor-Underglow-Flashing-Motorcycle/dp/B07ZNHRLHM/ref=psdc_15736411_t3_B01FWXT111.*

* cited by examiner

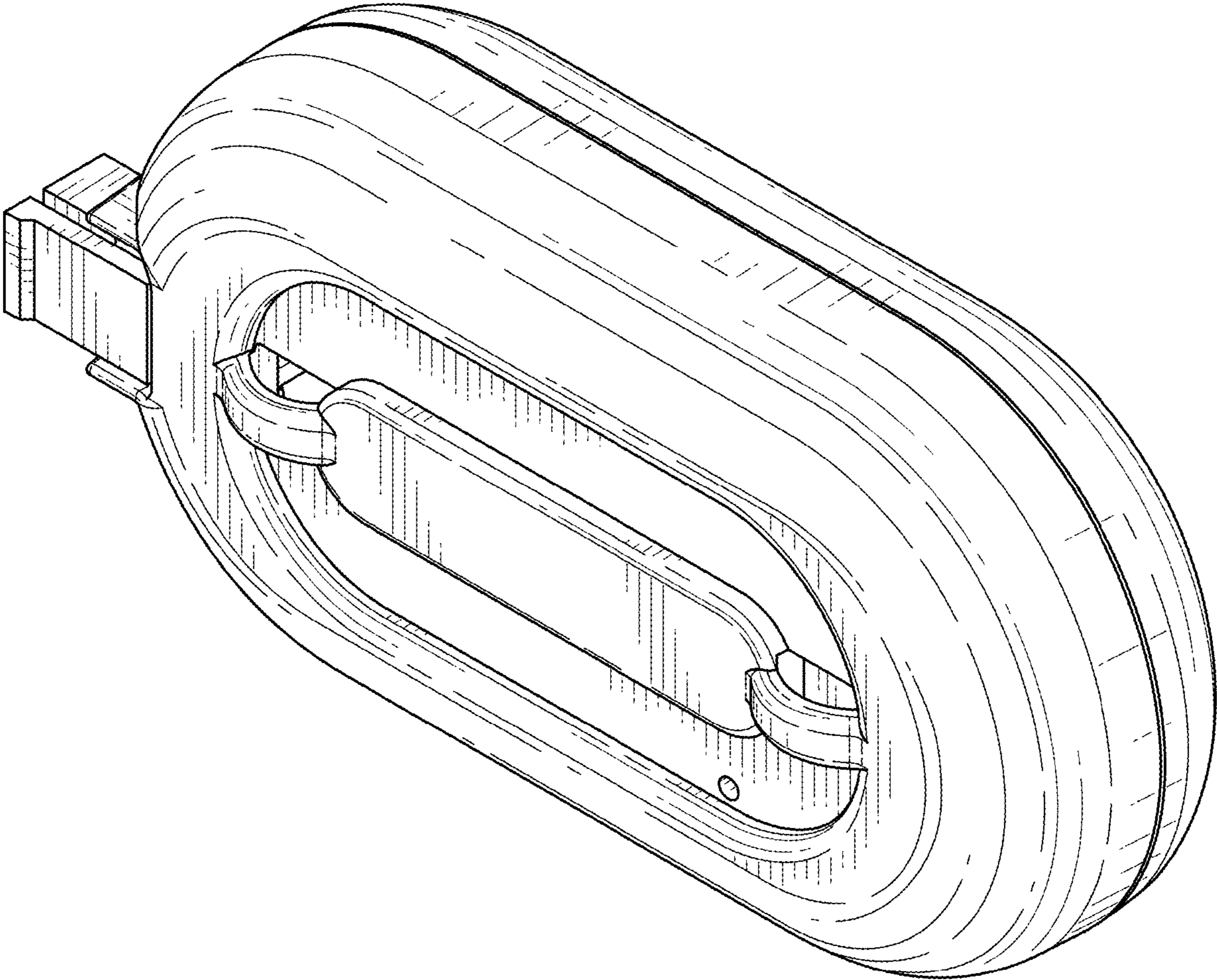


FIG. 1

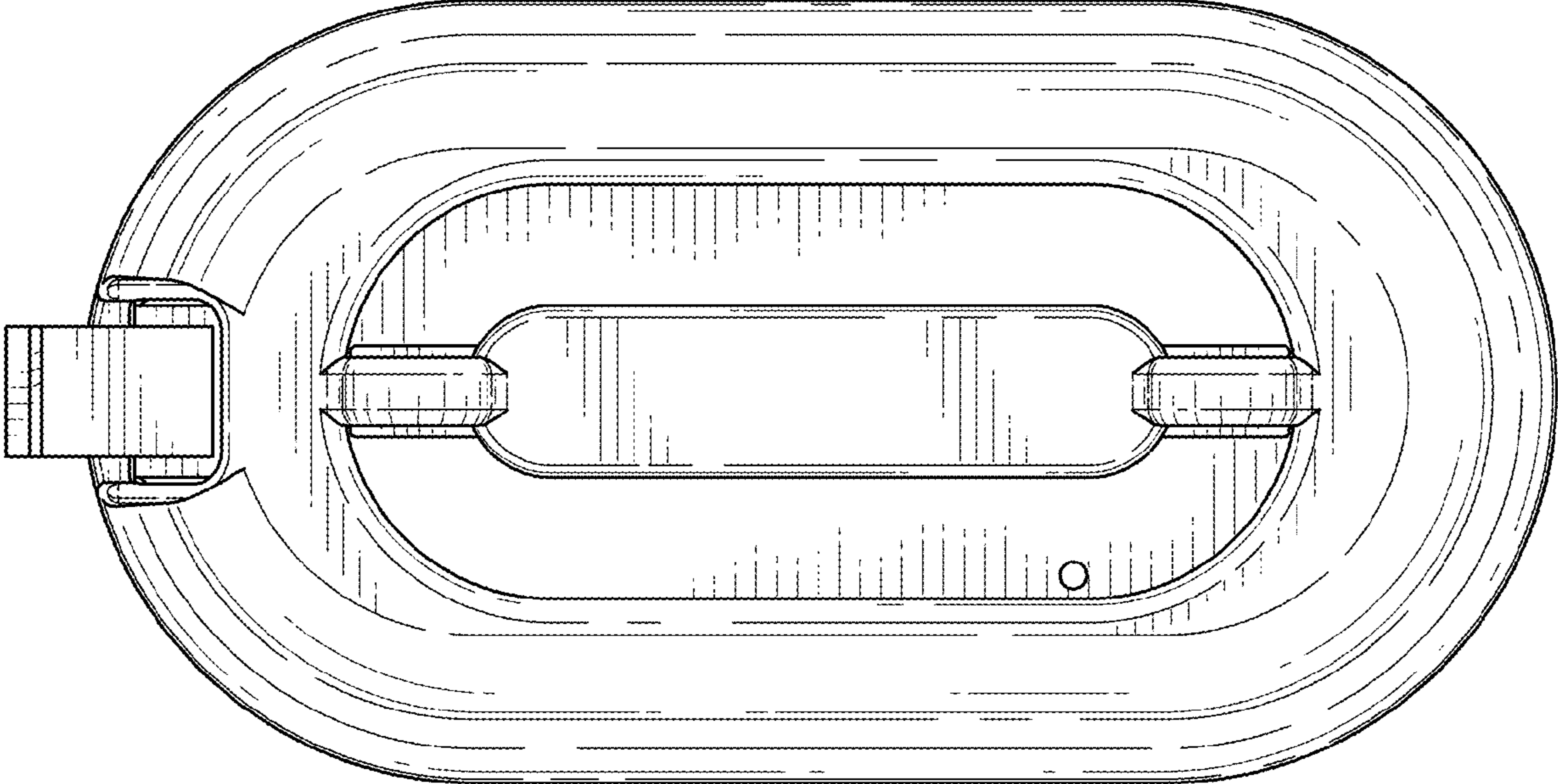


FIG. 2

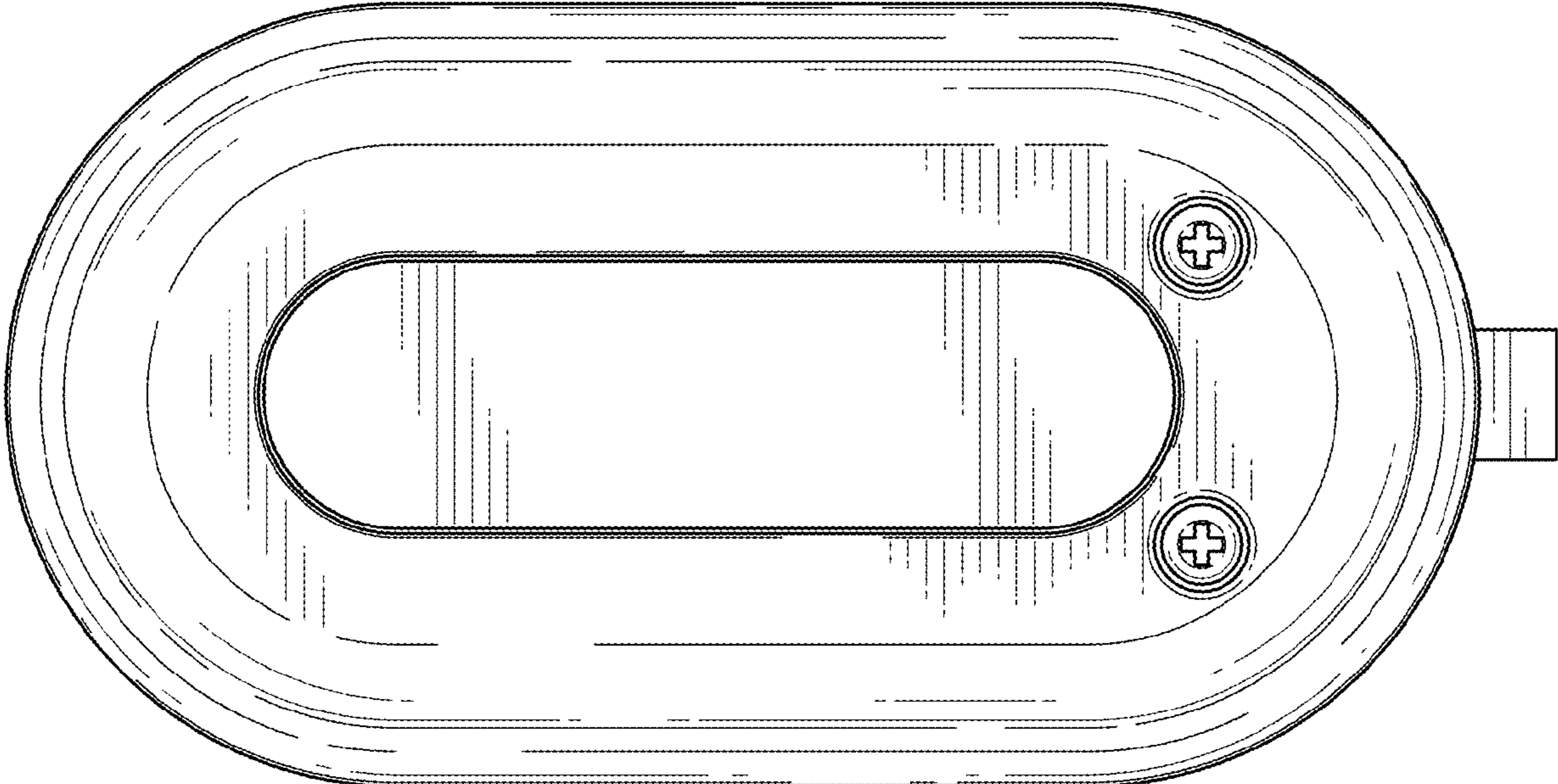


FIG. 3

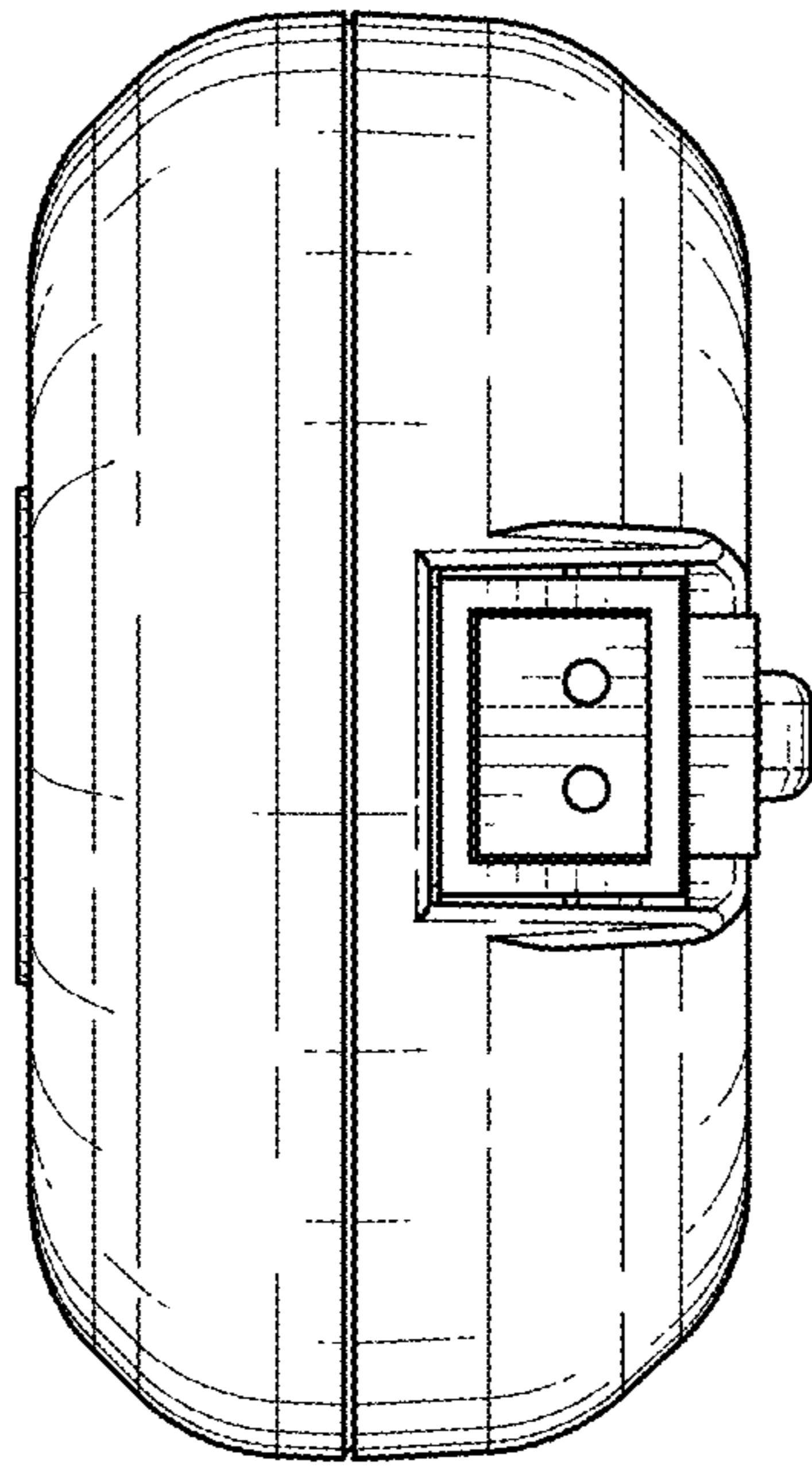


FIG. 4

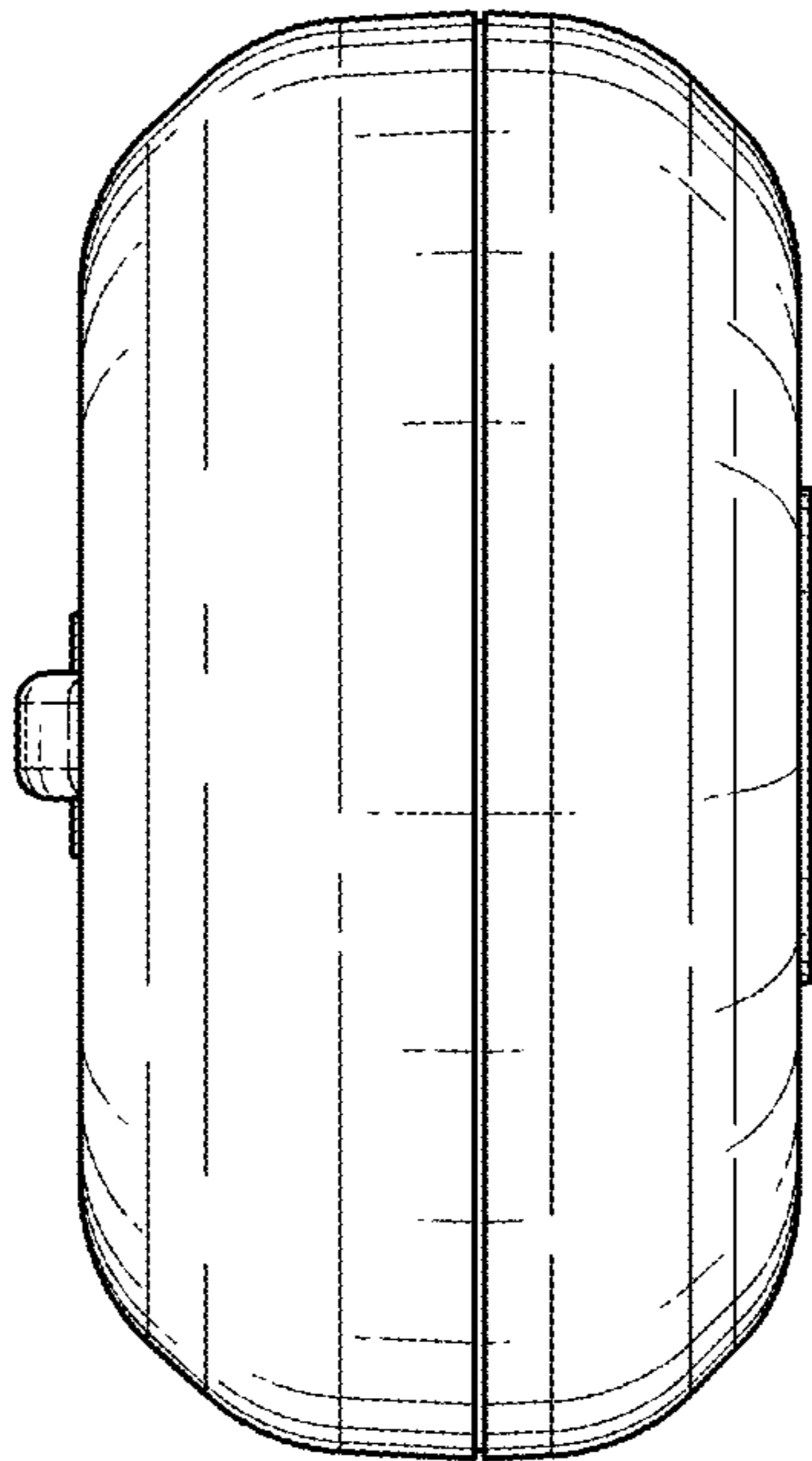


FIG. 5

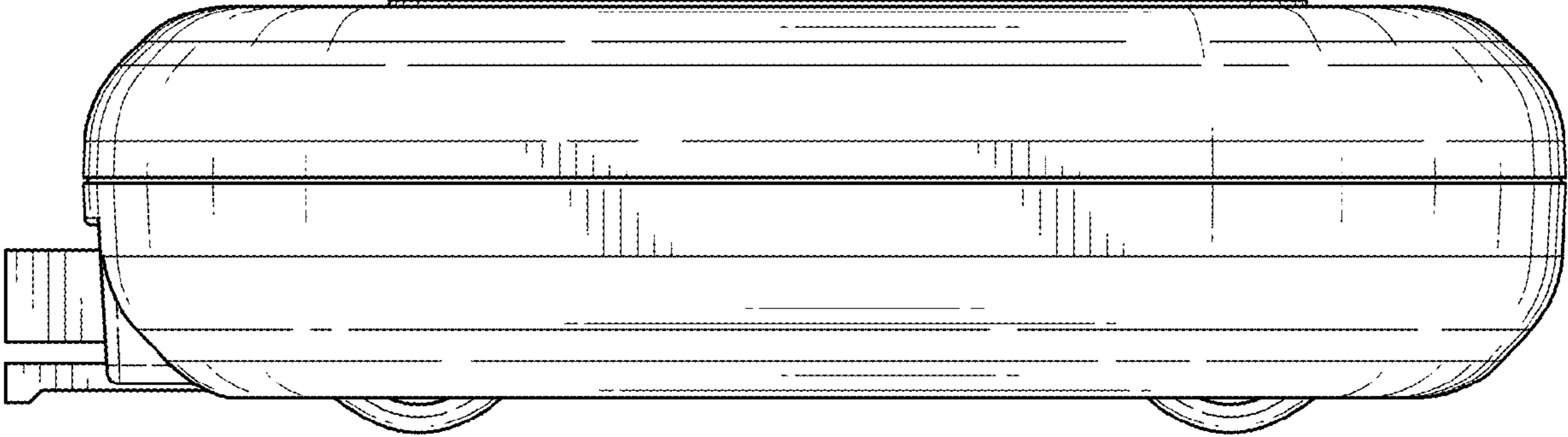


FIG. 6

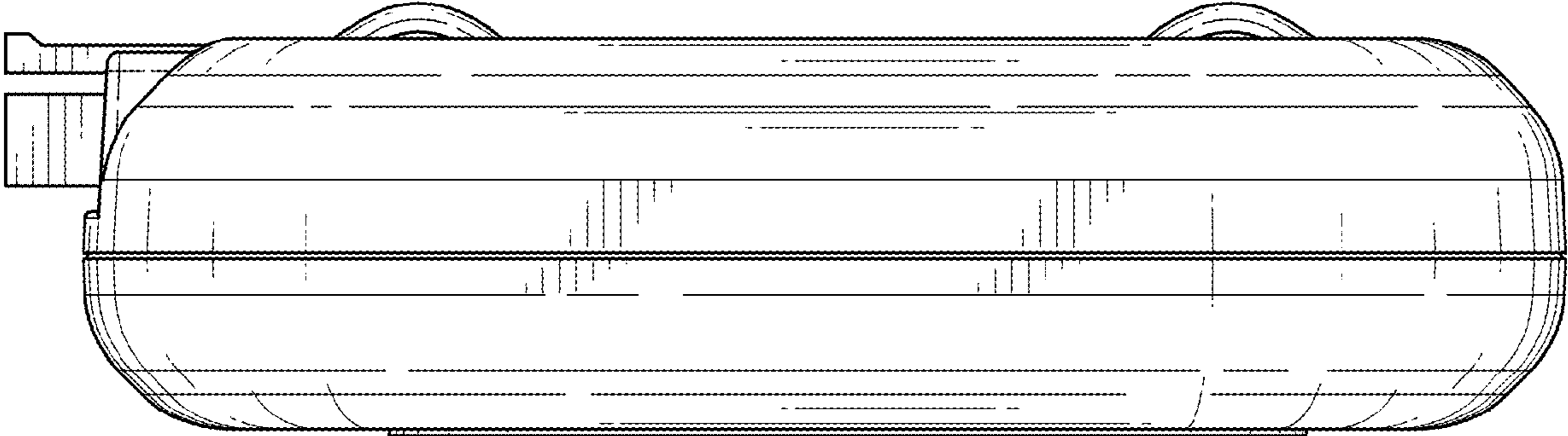


FIG. 7

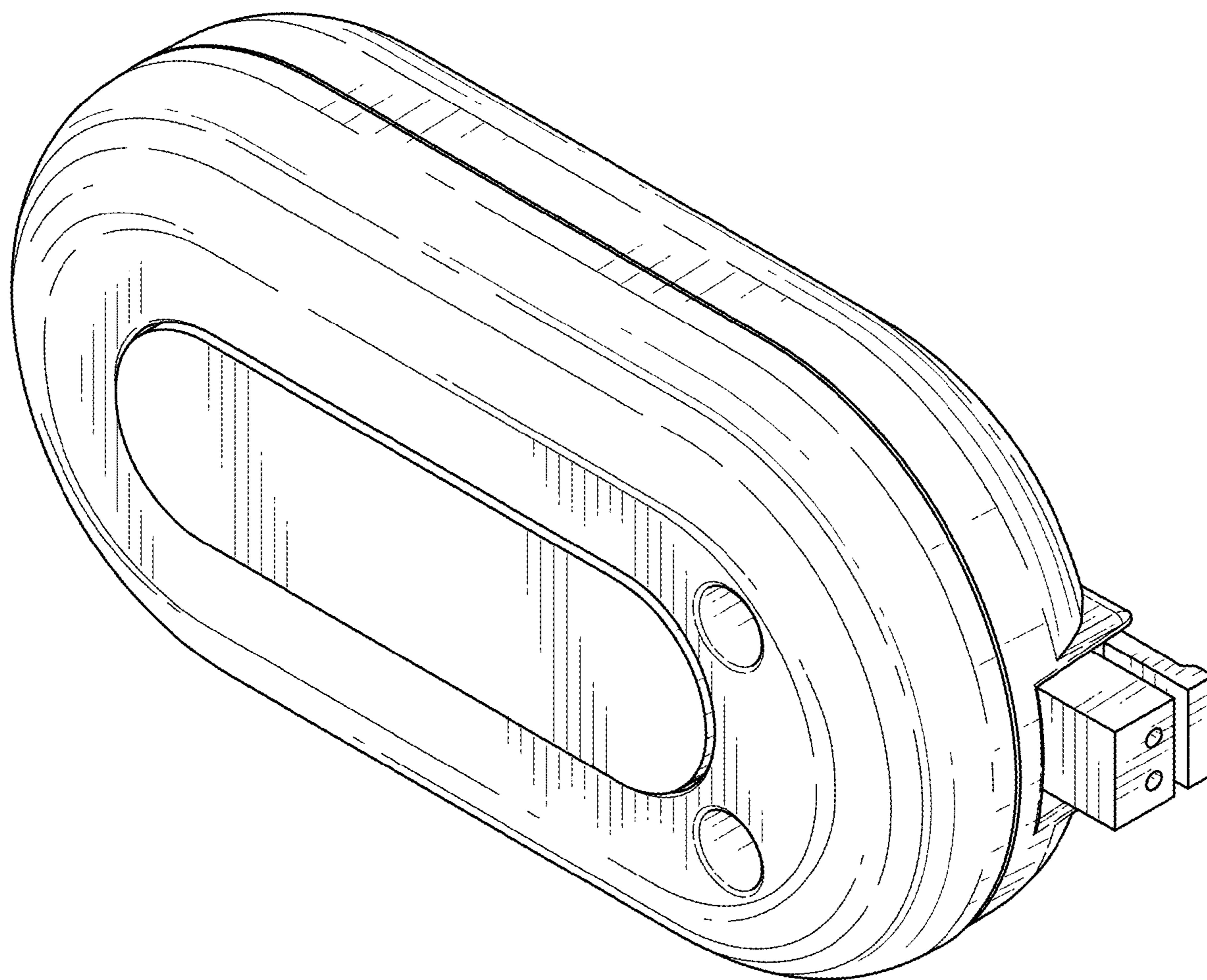


FIG. 8