

US00D914614S

(12) **United States Design Patent**
Muertter

(10) **Patent No.:** **US D914,614 S**

(45) **Date of Patent:** **** Mar. 30, 2021**

(54) **SWITCH PANEL**

(71) Applicant: **Off Road Engineering, LLC**, Rancho Santa Margarita, CA (US)

(72) Inventor: **Robert Muertter**, Rancho Santa Margarita, CA (US)

(73) Assignee: **OFF ROAD ENGINEERING, LLC**, Rancho Santa Margarita, CA (US)

(**) Term: **15 Years**

(21) Appl. No.: **29/711,584**

(22) Filed: **Oct. 31, 2019**

(51) **LOC (13) Cl.** **13-03**

(52) **U.S. Cl.**
USPC **D13/162**

(58) **Field of Classification Search**
USPC D13/162, 164, 184, 199; D14/371, 381, D14/382, 388, 389
CPC H01H 9/02; H01H 9/16; H01H 9/181; H01H 2009/187; H05B 39/088; H05B 39/085
See application file for complete search history.

(56) **References Cited**

U.S. PATENT DOCUMENTS

9,412,248 B1 * 8/2016 Cohn H04L 12/2825
D776,627 S * 1/2017 Shimohama D13/164
D803,793 S * 11/2017 Jacoby D13/171
D807,763 S * 1/2018 Jacoby D10/50

D815,607 S * 4/2018 Ubirajara Silva D13/164
D818,970 S * 5/2018 Zhou D13/168
D844,570 S * 4/2019 Kornacki D13/162
D870,056 S * 12/2019 Deyaf D13/164
D875,052 S * 2/2020 Zhou D13/164
D887,372 S * 6/2020 Jacoby B60K 35/00
D13/164
2020/0307379 A1 * 10/2020 Balain B60K 35/00

* cited by examiner

Primary Examiner — Rosemary K Tarcza

Assistant Examiner — Seth David Kumpf

(74) *Attorney, Agent, or Firm* — Benjamin Diederich

(57) **CLAIM**

The ornamental design for a switch panel, as shown and described.

DESCRIPTION

FIG. 1 is a front perspective view of a switch panel showing my new design;
FIG. 2 is a front view thereof;
FIG. 3 is a bottom view thereof, the top view being a mirror image thereof;
FIG. 4 is a rear view thereof; and,
FIG. 5 is a left side view thereof, the right side view being a mirror image thereof.
The broken lines shown in FIGS. 1, 2 and 4 illustrate portions of the switch panel that form no part of the claimed design.

1 Claim, 4 Drawing Sheets

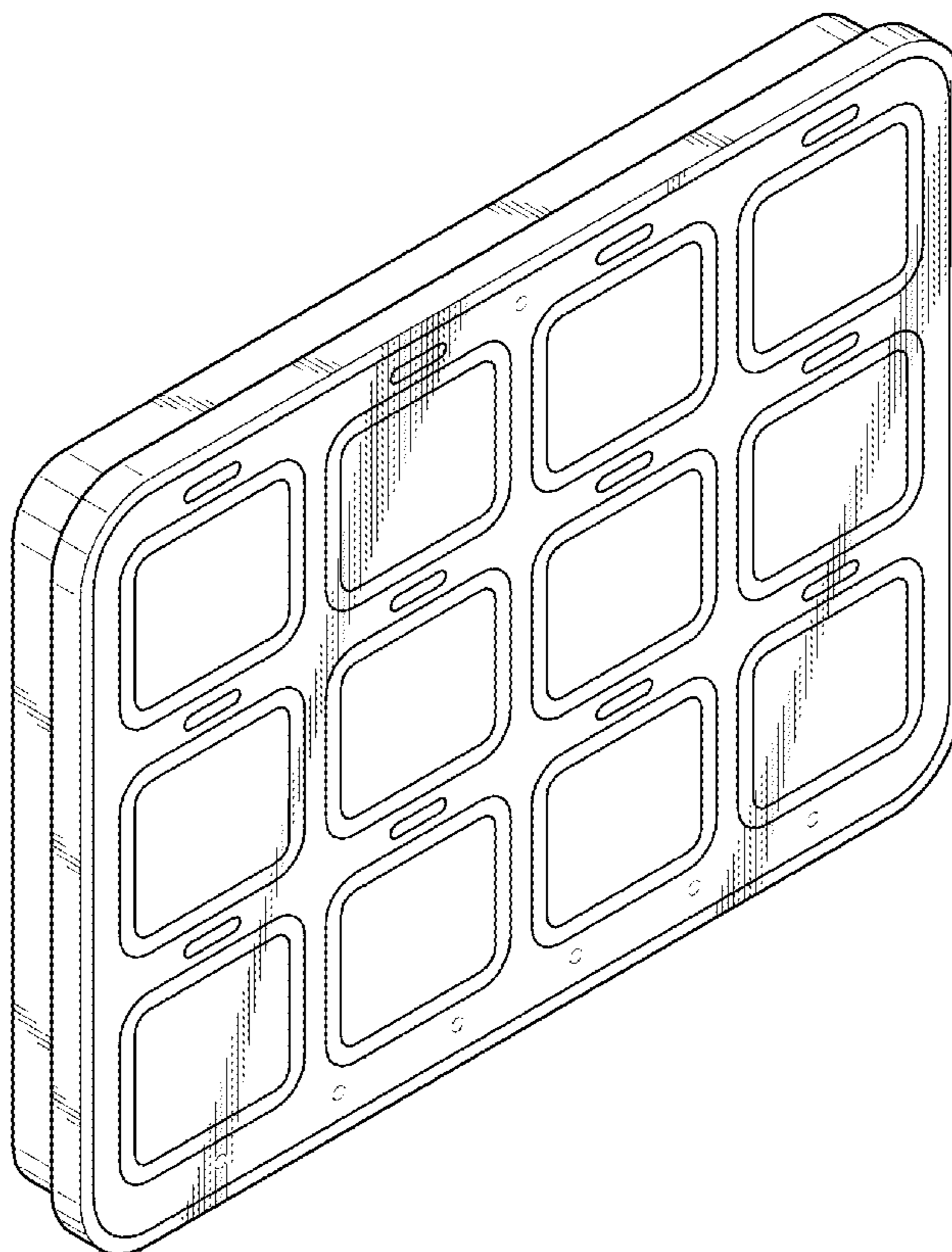
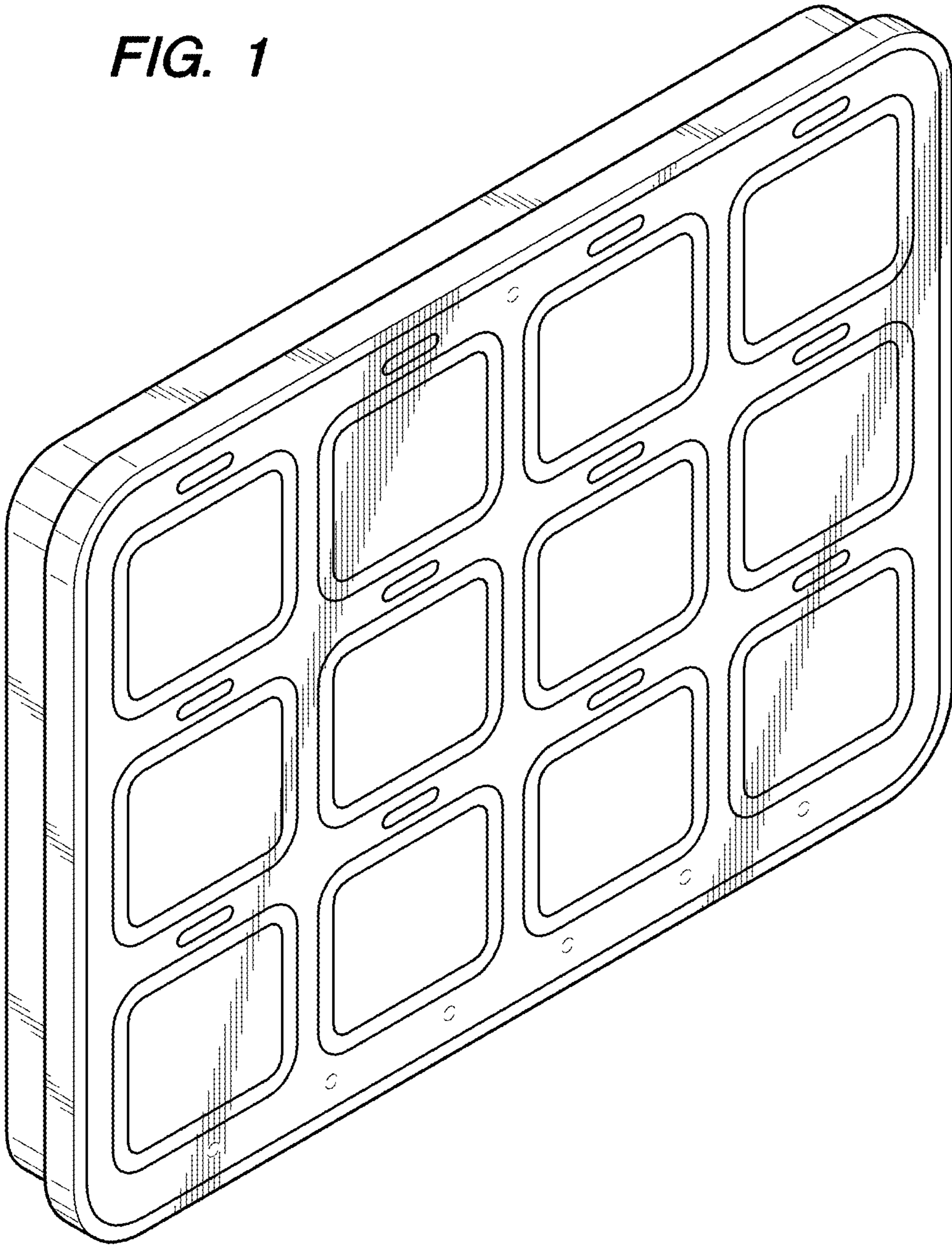


FIG. 1



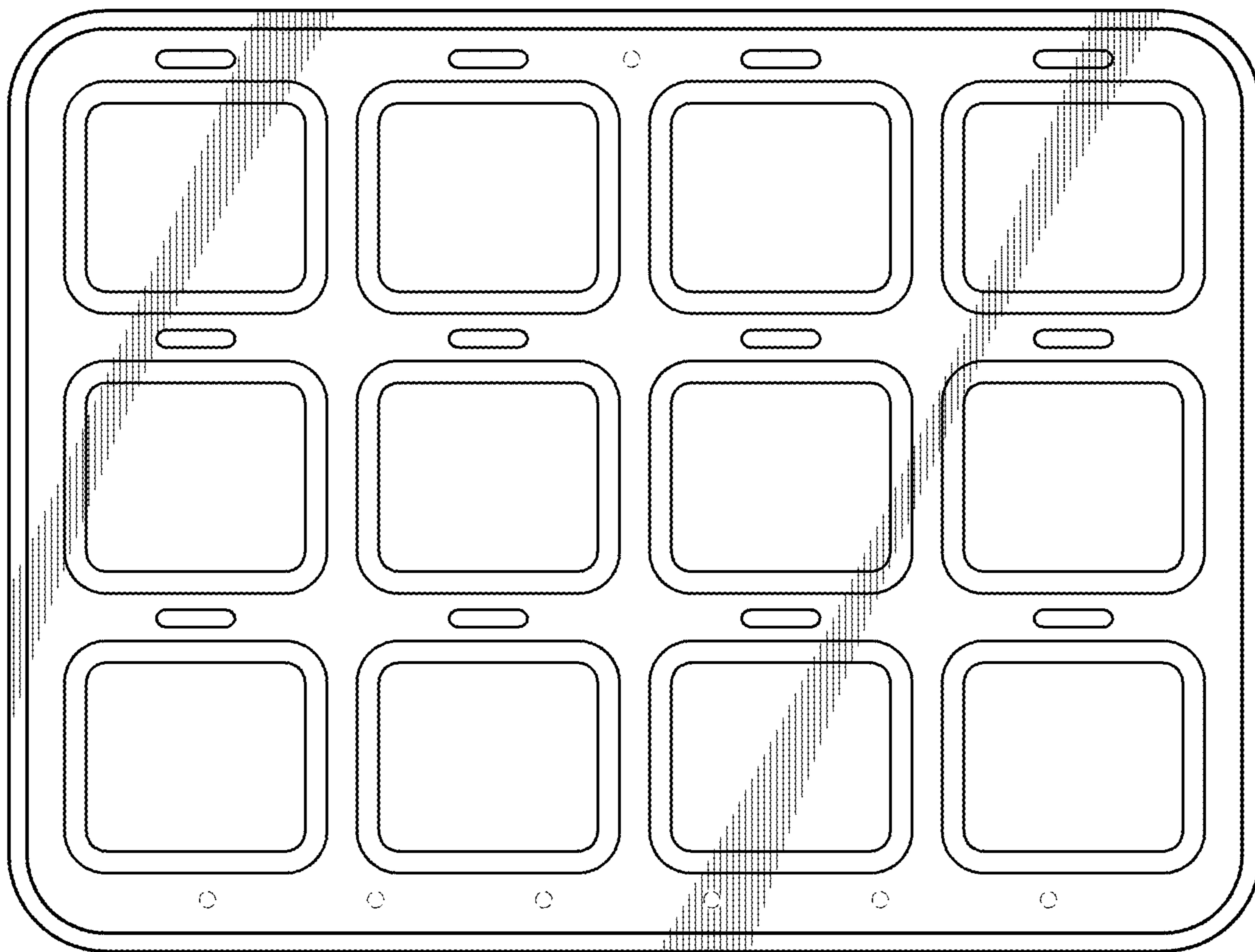


FIG. 2

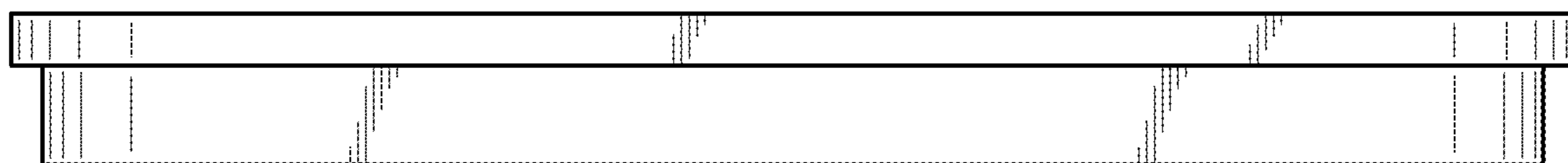


FIG. 3

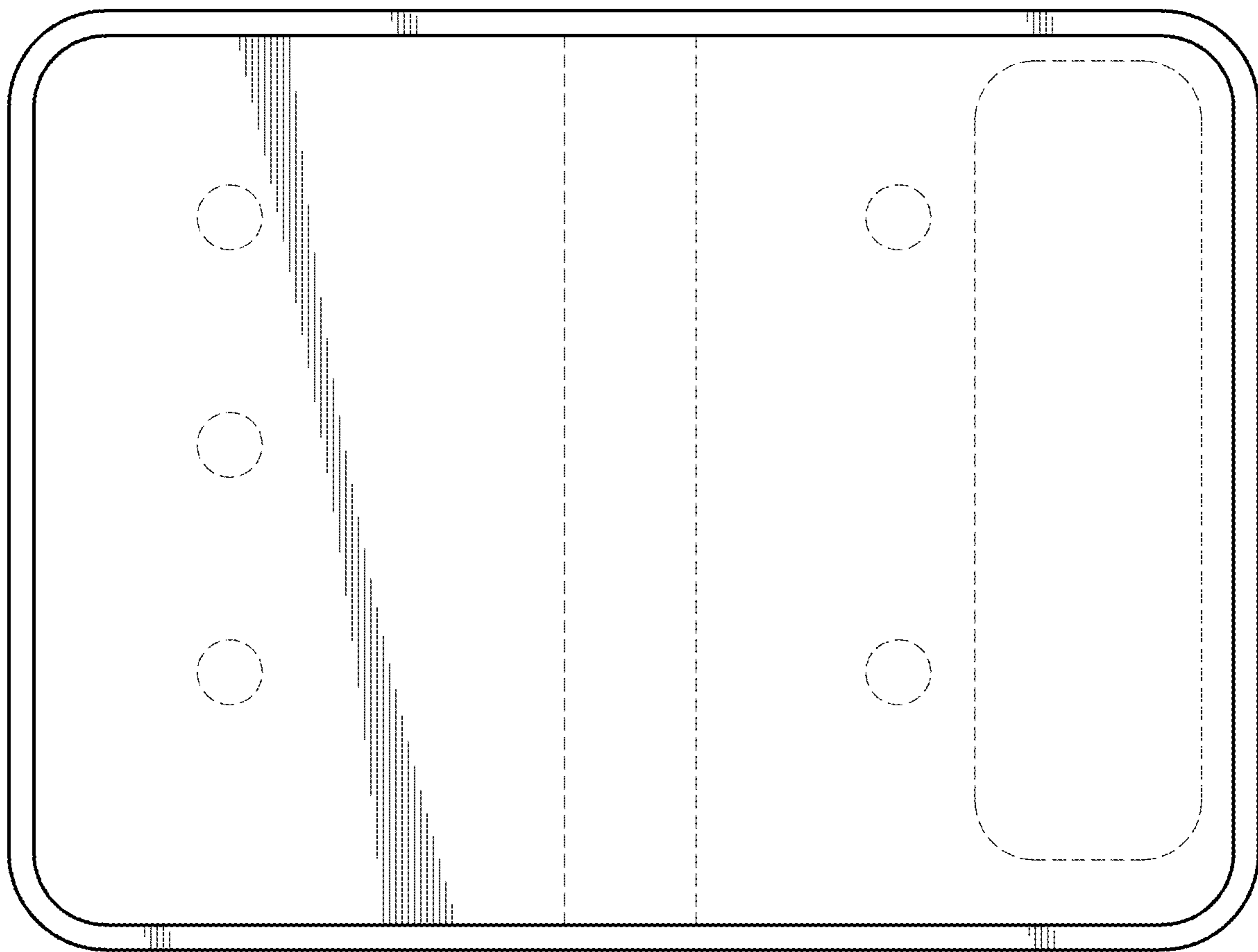


FIG. 4

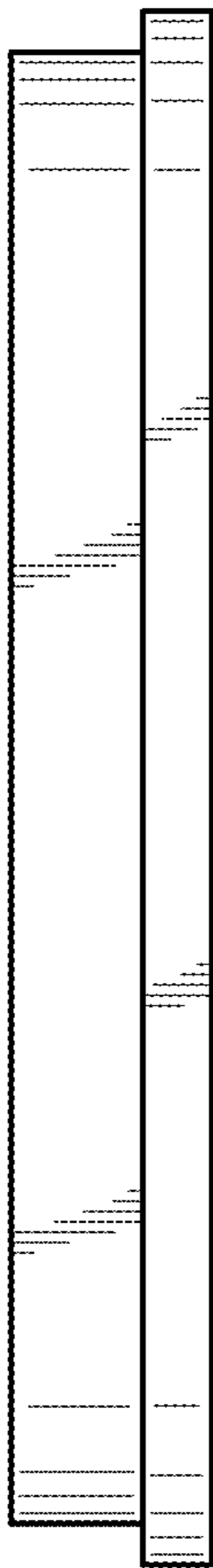


FIG. 5