



US00D914613S

(12) **United States Design Patent**
Hartmann

(10) **Patent No.:** **US D914,613 S**
(45) **Date of Patent:** **** Mar. 30, 2021**

(54) **ELECTRIC TERMINAL**

DESCRIPTION

(71) Applicant: **WAGO Verwaltungsgesellschaft mbH**,
Minden (DE)

(72) Inventor: **Frank Hartmann**, Minden (DE)

(73) Assignee: **WAGO Verwaltungsgesellschaft mbH**,
Minden (DE)

(**) Term: **15 Years**

(21) Appl. No.: **29/667,350**

(22) Filed: **Oct. 19, 2018**

(30) **Foreign Application Priority Data**

Apr. 19, 2018 (EM) 005240264-0001

Apr. 19, 2018 (EM) 005240306-0001

(Continued)

(51) **LOC (13) Cl.** **13-03**

(52) **U.S. Cl.**

USPC **D13/154; D13/147**

(58) **Field of Classification Search**

USPC D13/110, 120, 123, 133, 154, 118, 146,
D13/147, 149, 153, 178, 184, 199

(Continued)

(56) **References Cited**

U.S. PATENT DOCUMENTS

D614,581 S * 4/2010 Hemmi D13/154

8,480,424 B2 * 7/2013 Koellmann H01R 4/4845

439/358

(Continued)

Primary Examiner — Jennifer O King

(74) *Attorney, Agent, or Firm* — Muncy, Geissler, Olds &
Lowe, P.C.

(57) **CLAIM**

The ornamental design for an electric terminal, as shown and
described.

FIG. 1 is a rear view of an electric terminal according to the
present invention.

FIG. 2 is a rear perspective view of the electric terminal of
FIG. 1.

FIG. 3 is a left side view of the electric terminal of FIG. 1.

FIG. 4 is a top view of the electric terminal of FIG. 1.

FIG. 5 is a right side view of the electric terminal of FIG. 1.

FIG. 6 is a bottom view of the electric terminal of FIG. 1.

FIG. 7 is a front view of the electric terminal of FIG. 1.

FIG. 8 is a rear view of an electric terminal according to the
present invention.

FIG. 9 is a rear perspective view of the electric terminal of
FIG. 8.

FIG. 10 is a left side view of the electric terminal of FIG. 8.

FIG. 11 is a top view of the electric terminal of FIG. 8.

FIG. 12 is a right side view of the electric terminal of FIG.
8.

FIG. 13 is a bottom view of the electric terminal of FIG. 8.

FIG. 14 is a front view of the electric terminal of FIG. 8.

FIG. 15 is a rear view of an electric terminal according to the
present invention.

FIG. 16 is a rear perspective view of the electric terminal of
FIG. 15.

FIG. 17 is a left side view of the electric terminal of FIG. 15.

FIG. 18 is a top view of the electric terminal of FIG. 15.

FIG. 19 is a right side view of the electric terminal of FIG.
15.

FIG. 20 is a bottom view of the electric terminal of FIG. 15.

FIG. 21 is a front view of the electric terminal of FIG. 15.

FIG. 22 is a rear view of an electric terminal according to the
present invention.

FIG. 23 is a rear perspective view of the electric terminal of
FIG. 22.

FIG. 24 is a left side view of the electric terminal of FIG. 22.

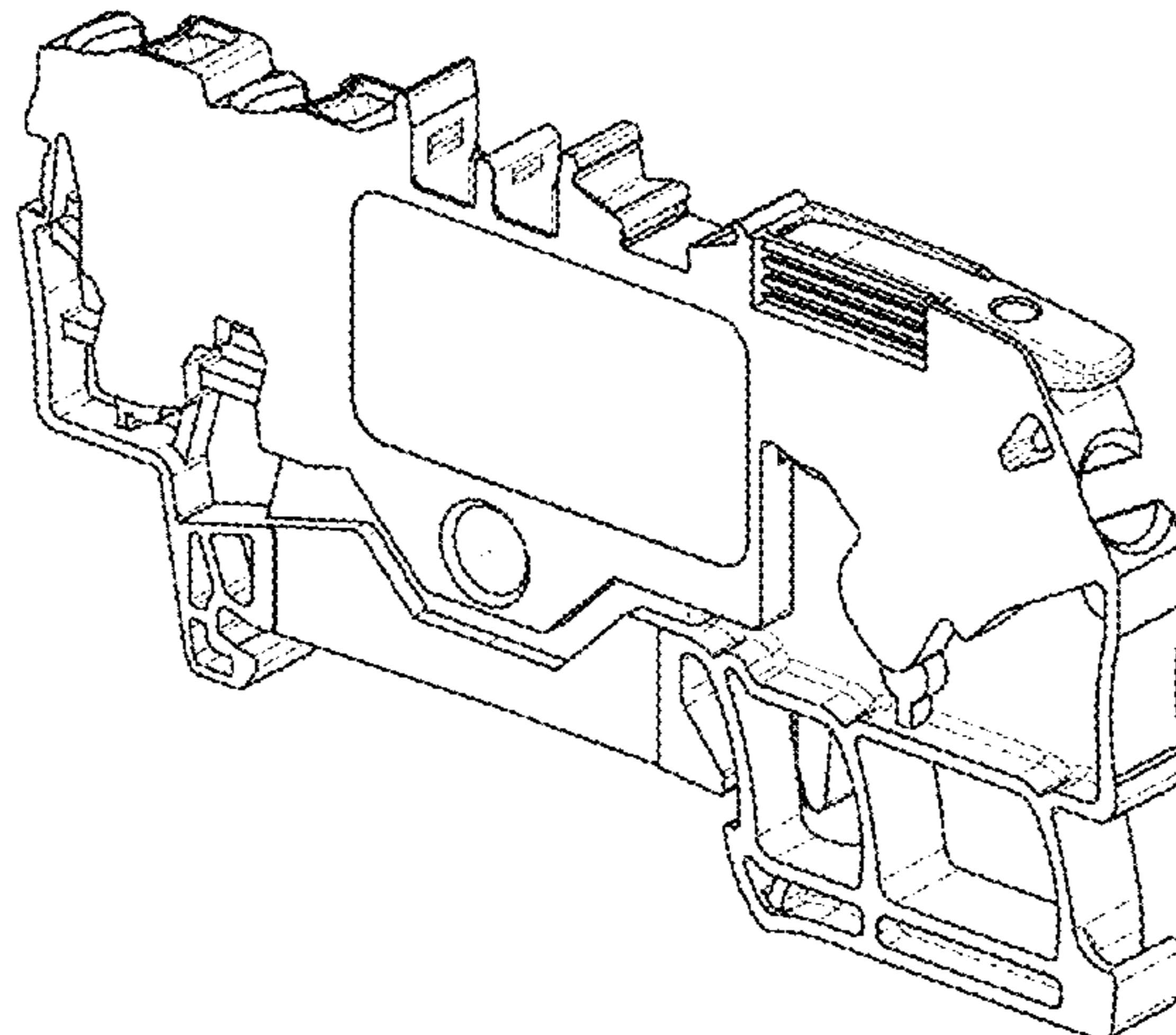
FIG. 25 is a top view of the electric terminal of FIG. 22.

FIG. 26 is a right side view of the electric terminal of FIG.
22.

FIG. 27 is a bottom view of the electric terminal of FIG. 22;
and,

FIG. 28 is a front view of the electric terminal of FIG. 22.

(Continued)



The broken lines shown represent portions of the electric terminal that form no part of the claimed design.

1 Claim, 28 Drawing Sheets

(30) **Foreign Application Priority Data**

Apr. 19, 2018 (EM) 005240314-0001
 Apr. 19, 2018 (EM) 005240702-0001
 Apr. 19, 2018 (EM) 005240710-0001
 Apr. 19, 2018 (EM) 005240728-0001
 Apr. 19, 2018 (EM) 005240744-0001
 Apr. 19, 2018 (EM) 005240769-0001

(58) **Field of Classification Search**

CPC H01R 4/183; H01R 4/184; H01R 4/185;
 H01R 13/6471; H01R 13/6585; H01R
 9/24

See application file for complete search history.

(56)

References Cited

U.S. PATENT DOCUMENTS

D694,191	S *	11/2013	Lien	D13/149
D786,796	S *	5/2017	Frye	D13/133
D824,860	S *	8/2018	Mastel	D13/147
D824,861	S *	8/2018	Mastel	D13/147
D825,480	S *	8/2018	Mastel	D13/147
D825,481	S *	8/2018	Mastel	D13/147
D825,482	S *	8/2018	Mastel	D13/147
D826,164	S *	8/2018	Mastel	D13/146
D826,168	S *	8/2018	Mastel	D13/147
D826,169	S *	8/2018	Mastel	D13/147
D833,392	S *	11/2018	Frye	D13/133
10,164,349	B2 *	12/2018	Koellmann	H01R 4/4836
D856,283	S *	8/2019	Waters	D13/133
D881,129	S *	4/2020	Wu	D13/133
D883,931	S *	5/2020	Otsu	D13/133
2013/0157520	A1 *	6/2013	Koellmann	H01R 4/4836 439/834
2018/0323522	A1 *	11/2018	Wu	H01R 9/26
2019/0386407	A1 *	12/2019	Mastel	H01R 4/40
2020/0176897	A1 *	6/2020	Ober-Woerder	H01R 4/4827
2020/0243988	A1 *	7/2020	Ono	H01R 4/4809

* cited by examiner

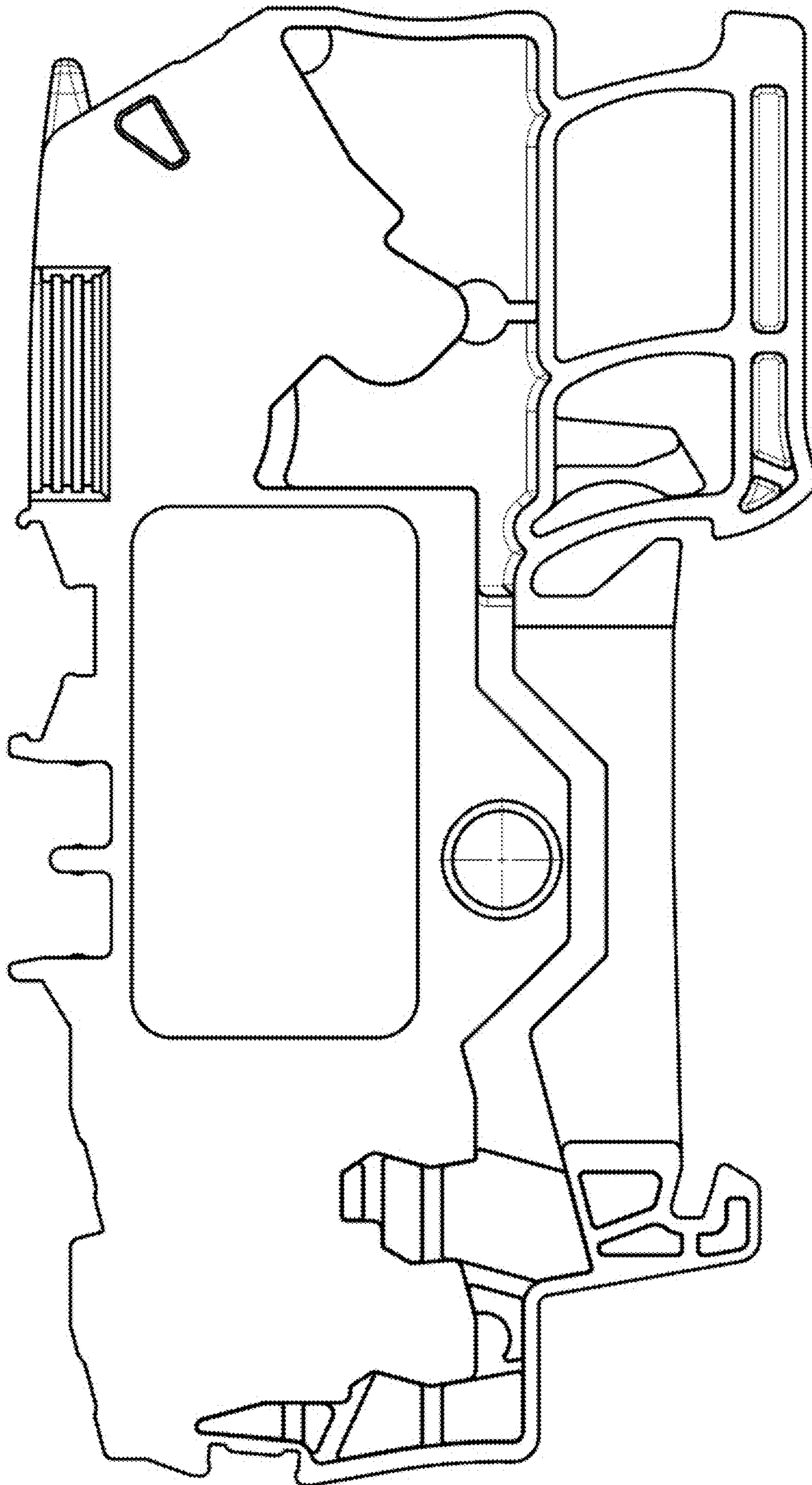


Fig. 1

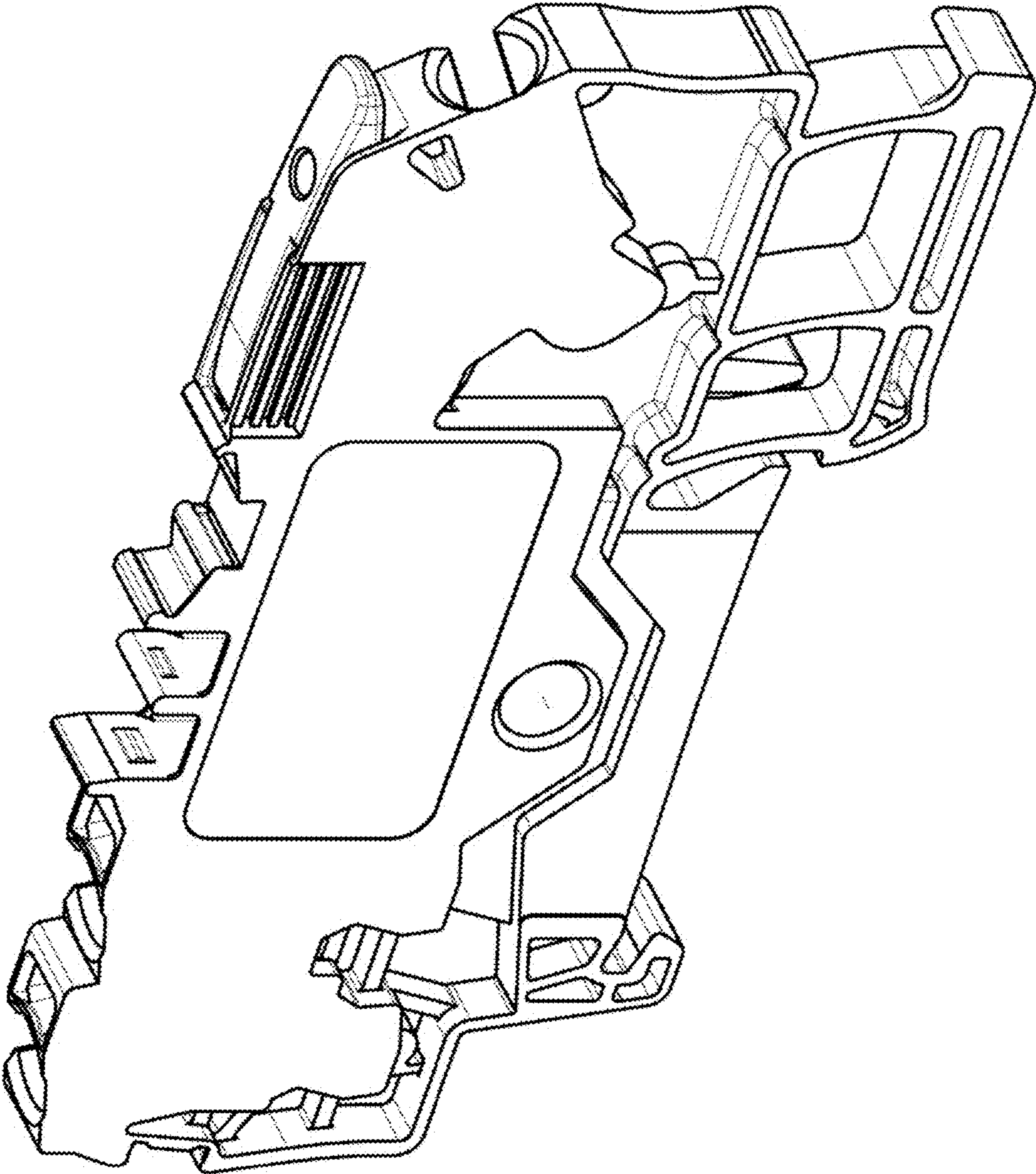


Fig. 2

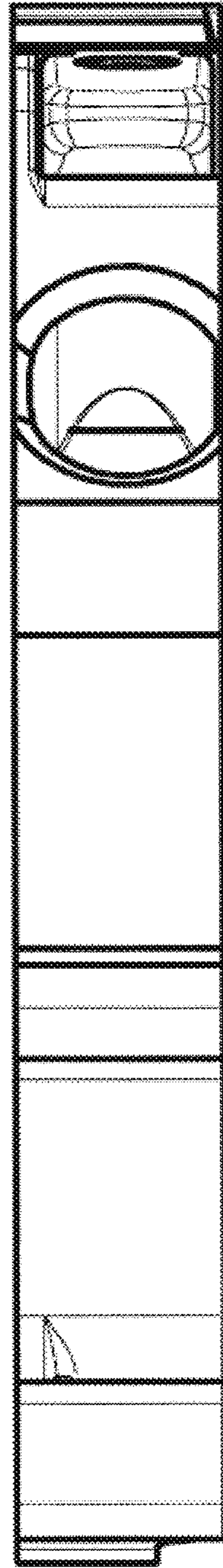


Fig. 3

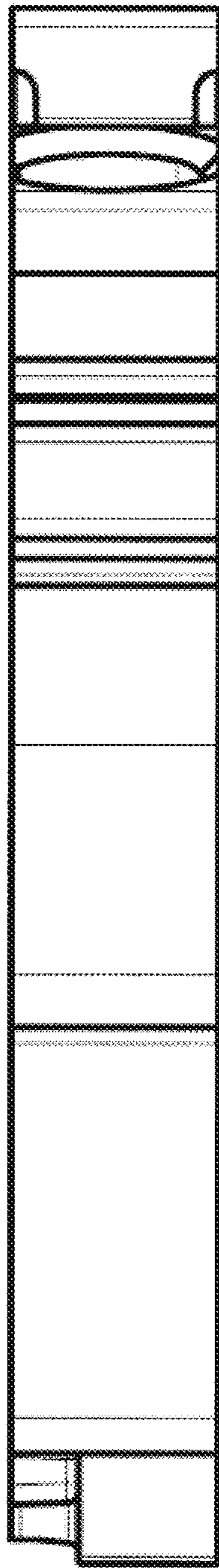


Fig. 5

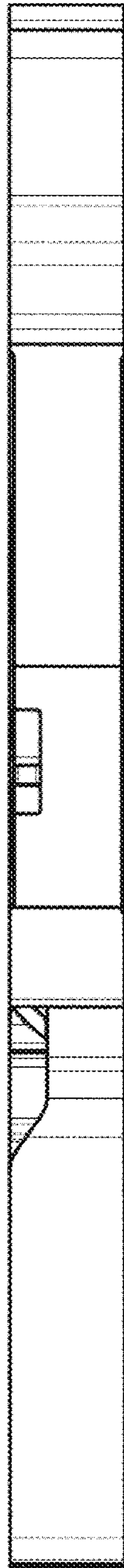


Fig. 6

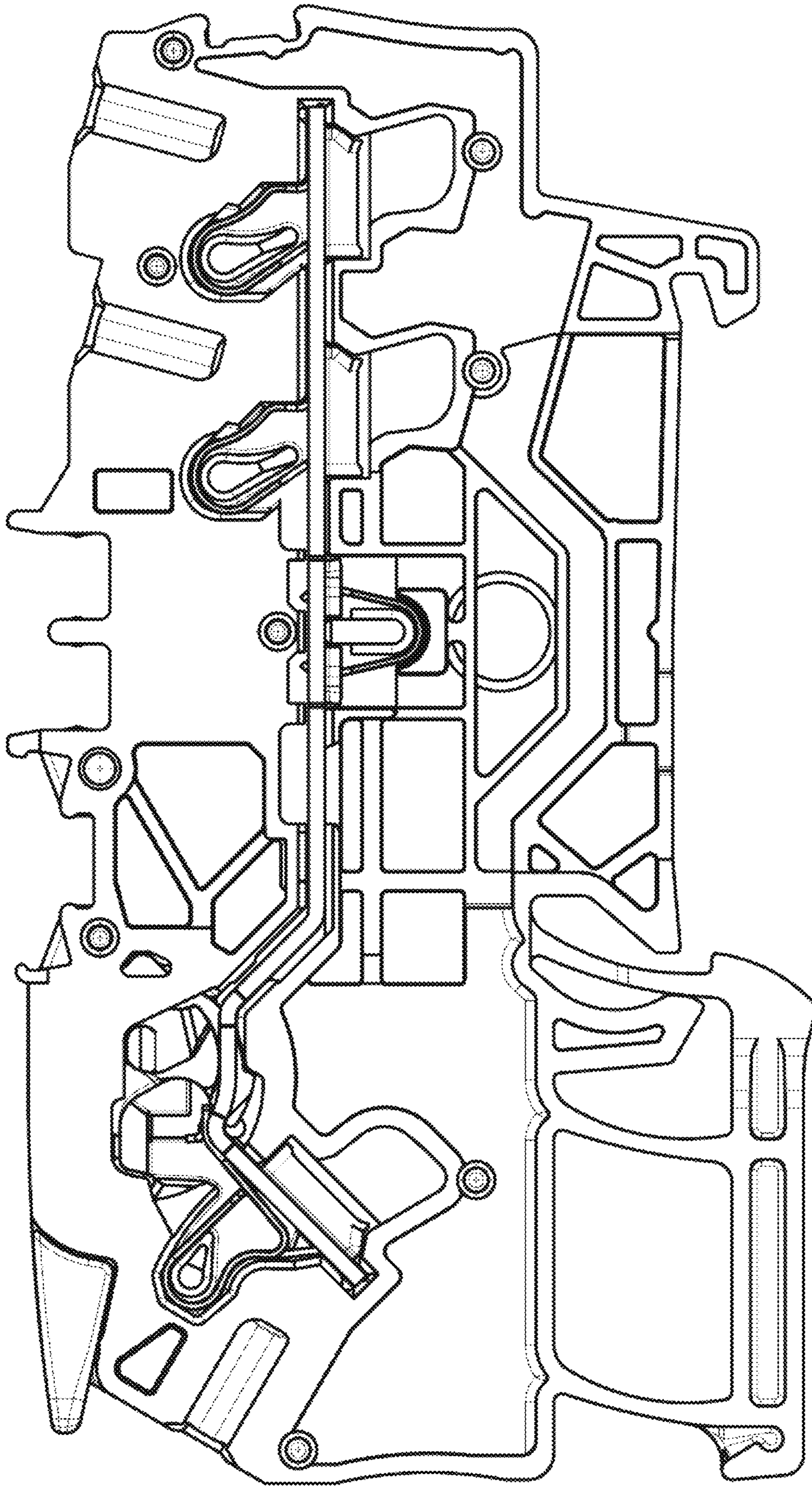


Fig. 7

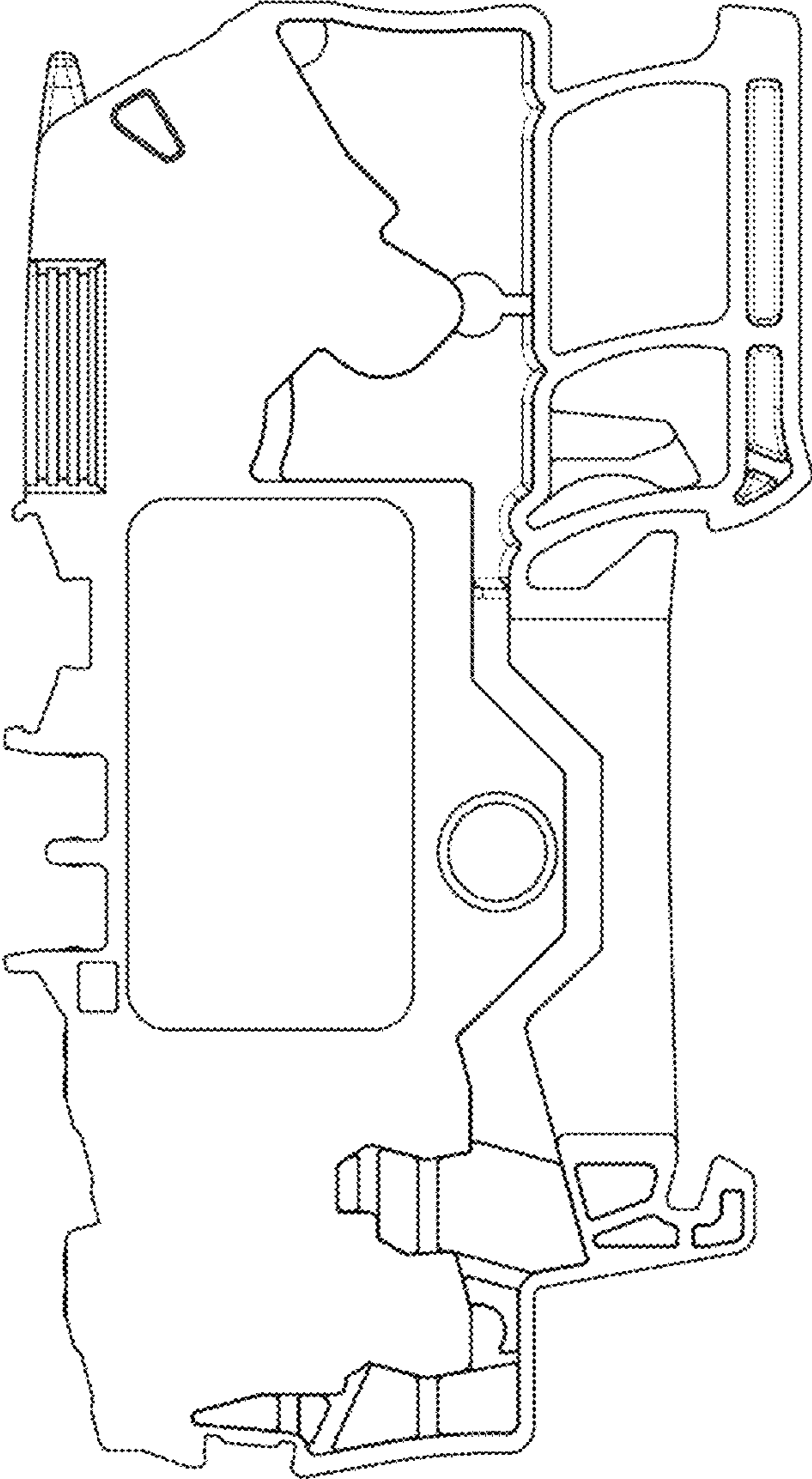


Fig. 8

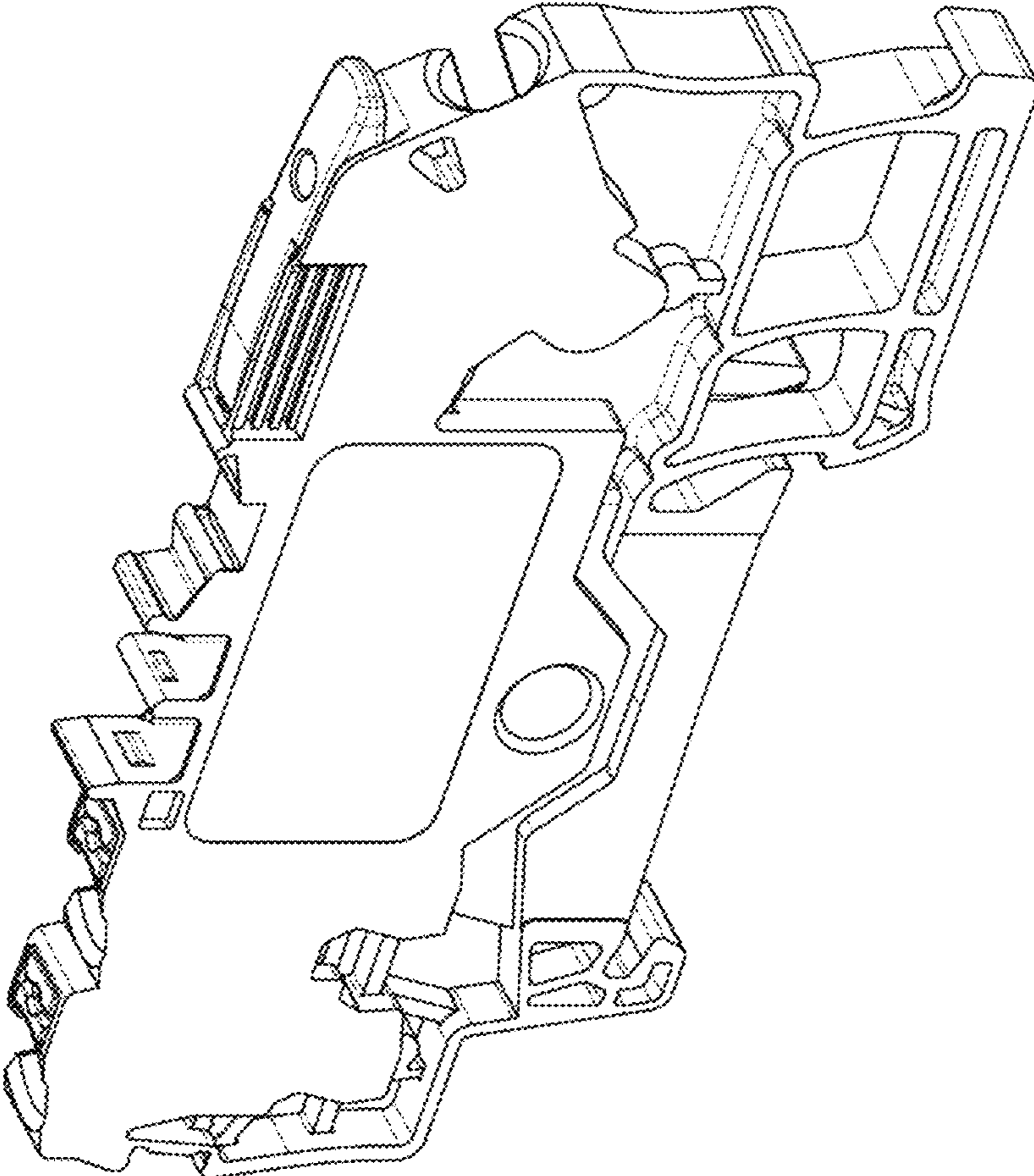


Fig. 9

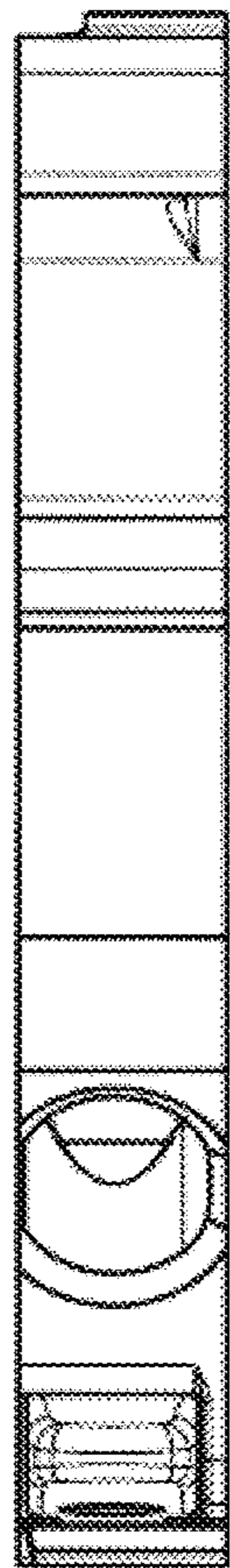


Fig. 10

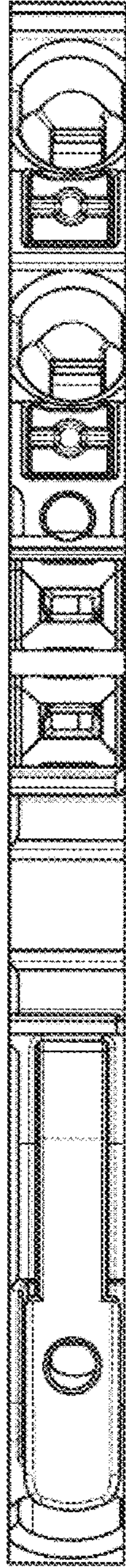


Fig. 11

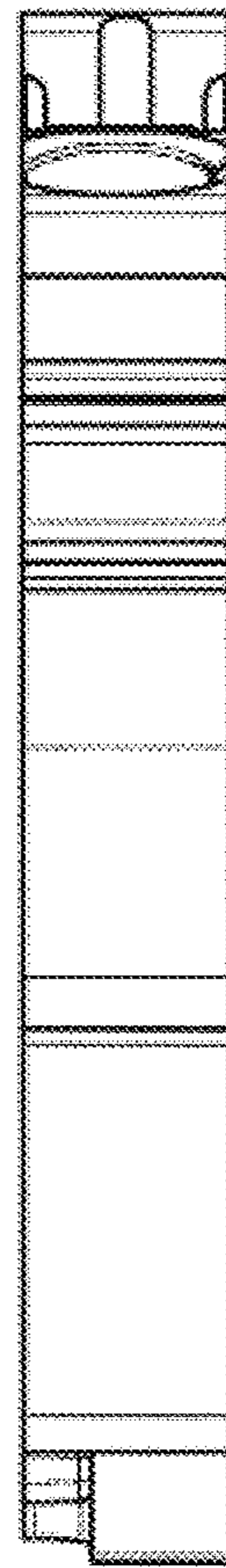


Fig. 12

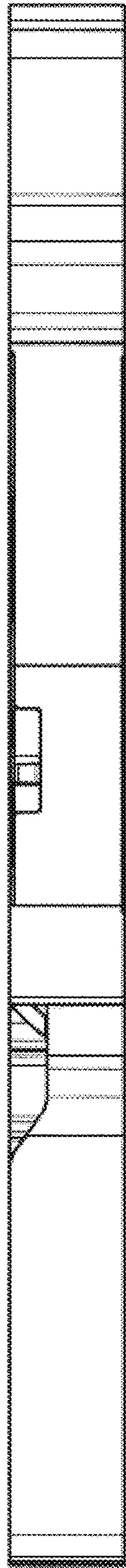


Fig. 13

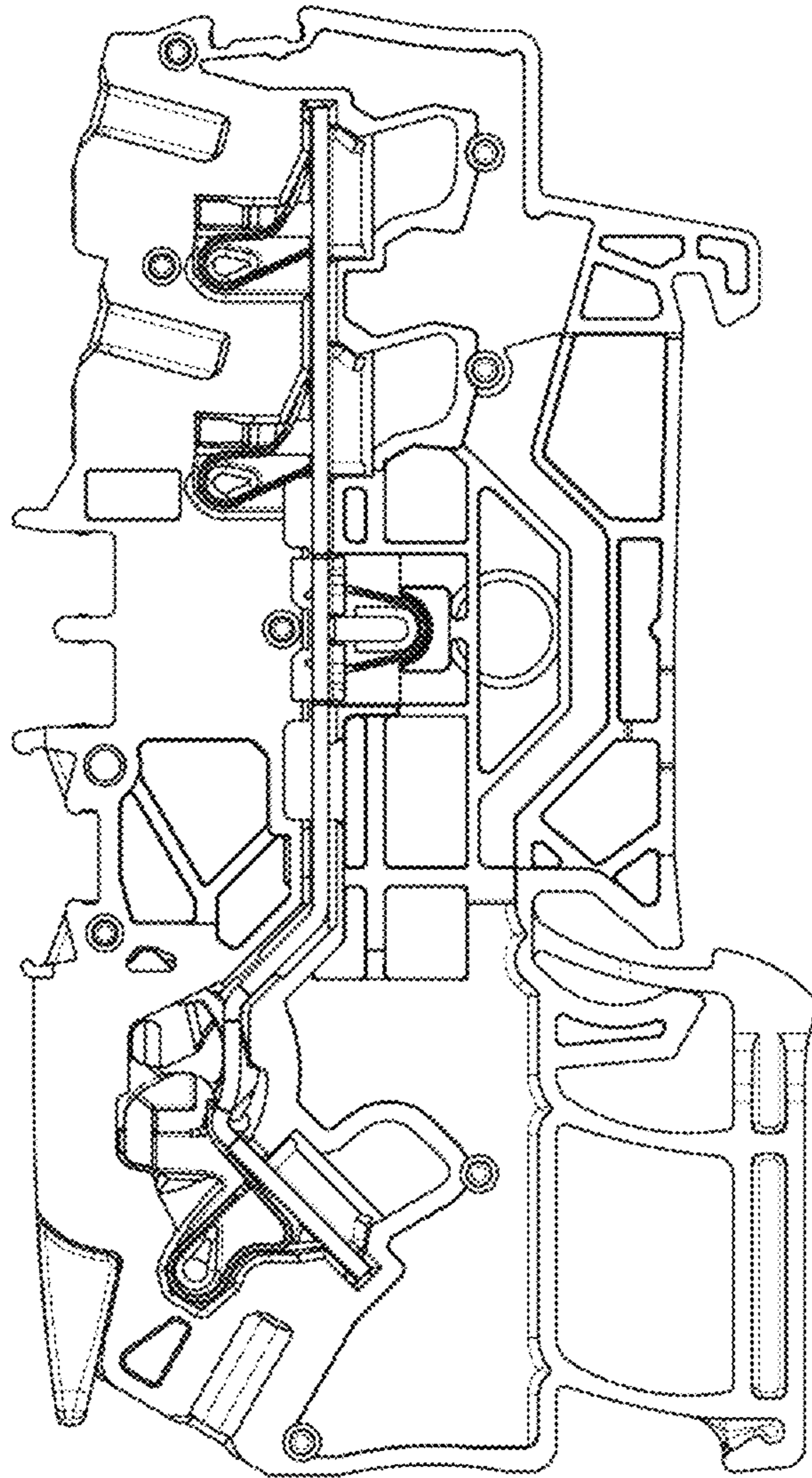


Fig. 14

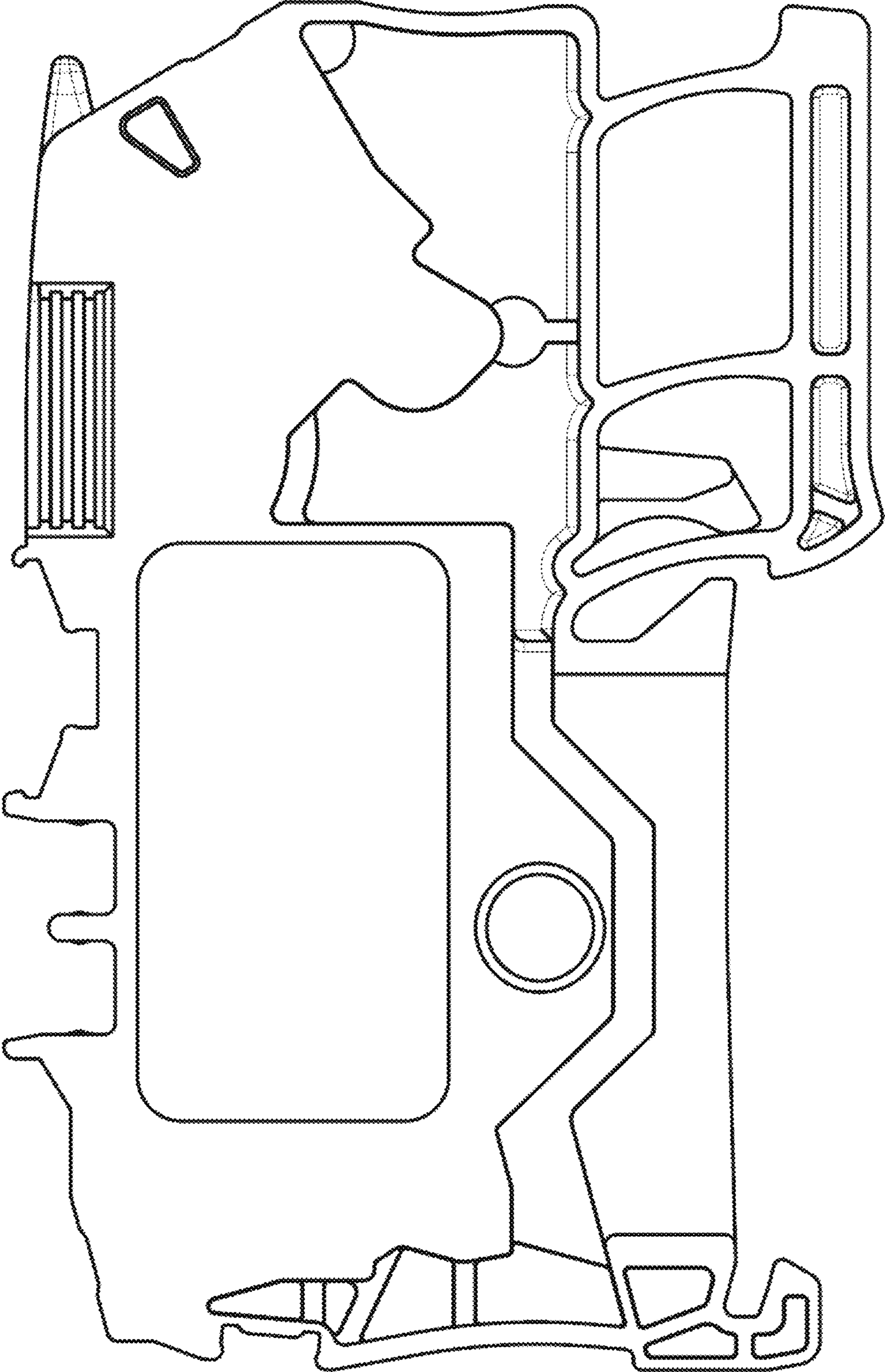


Fig. 15

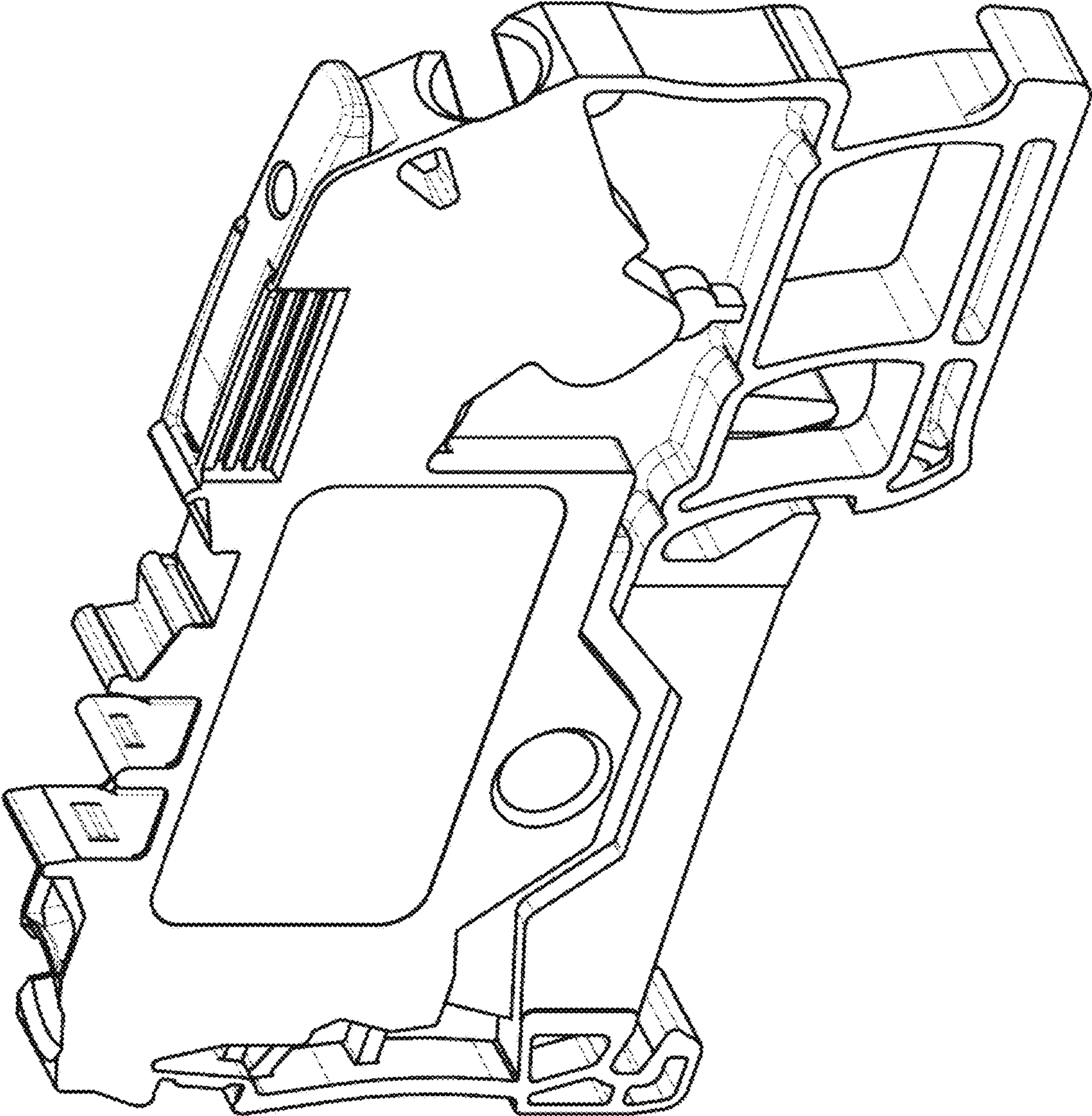


Fig. 16

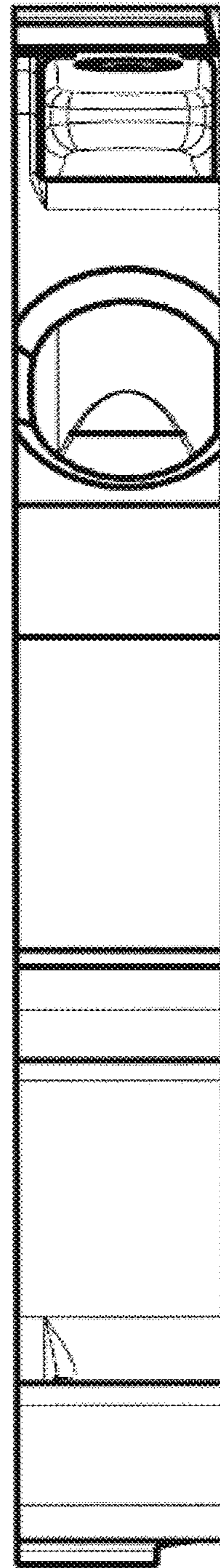


Fig. 17

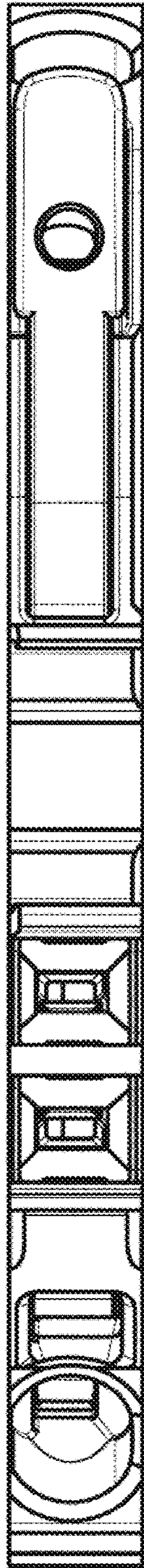


Fig. 18

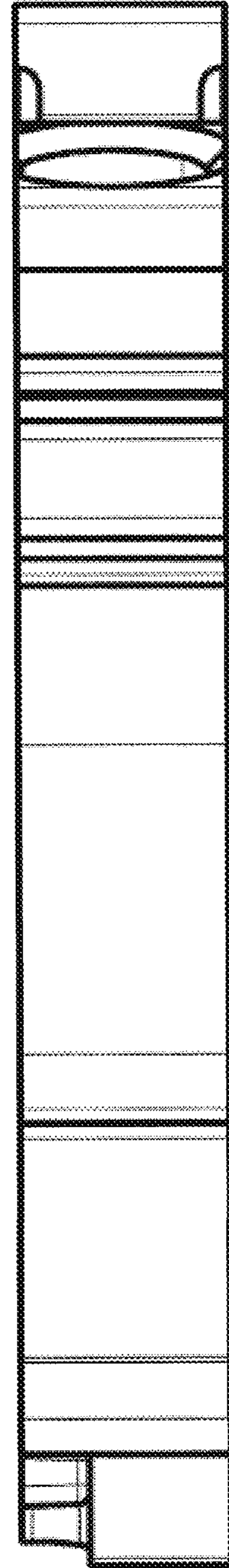


Fig. 19

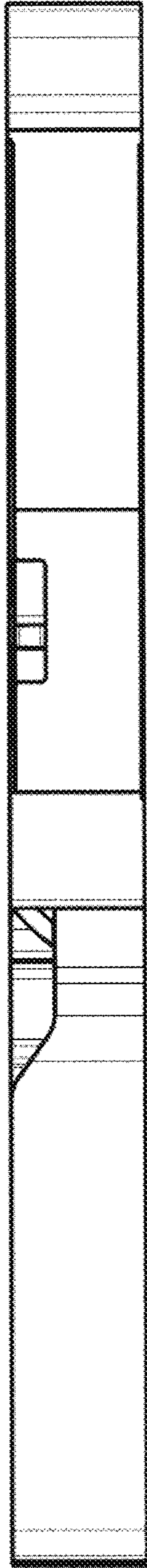


Fig. 20

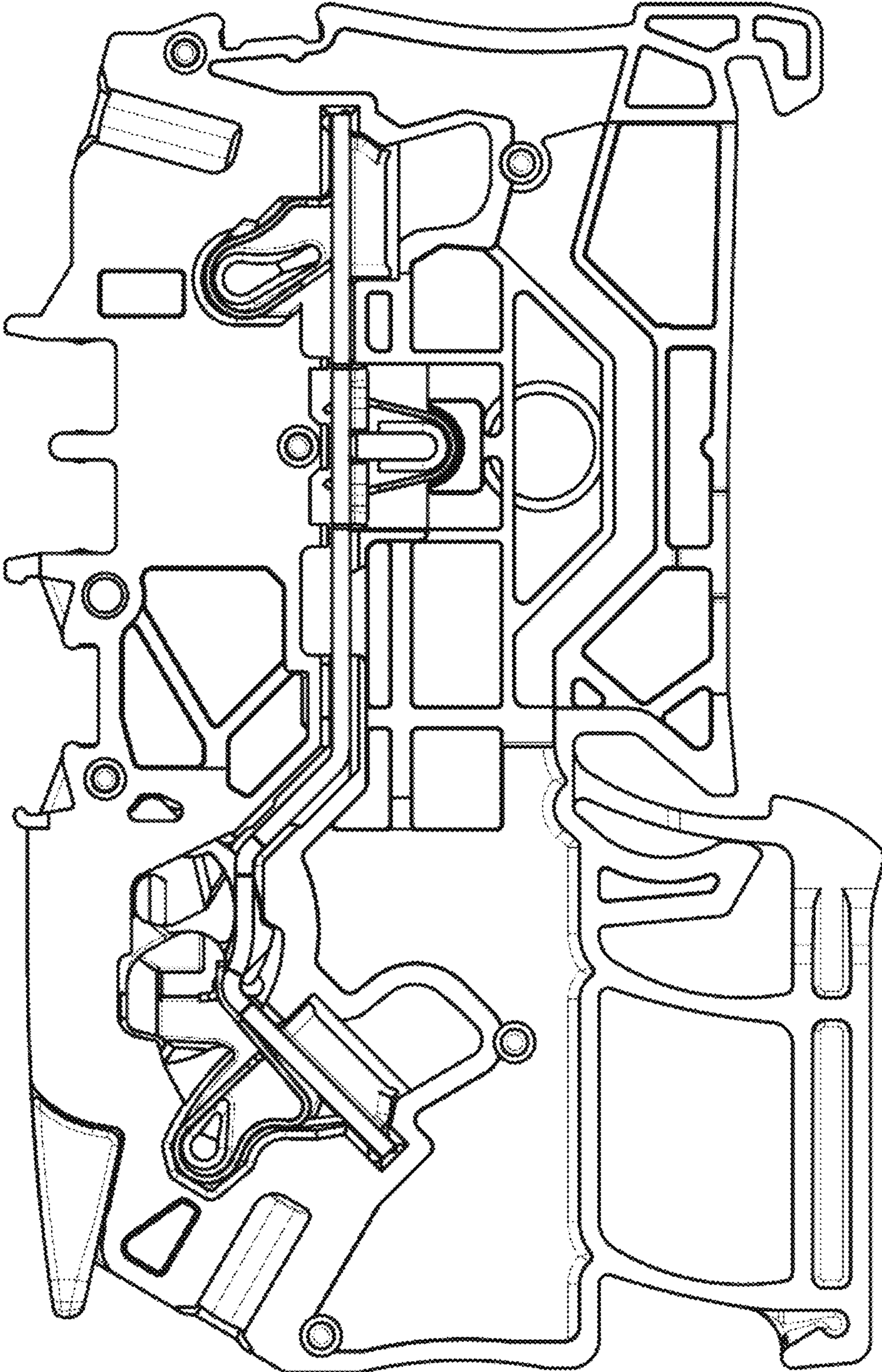


Fig. 21

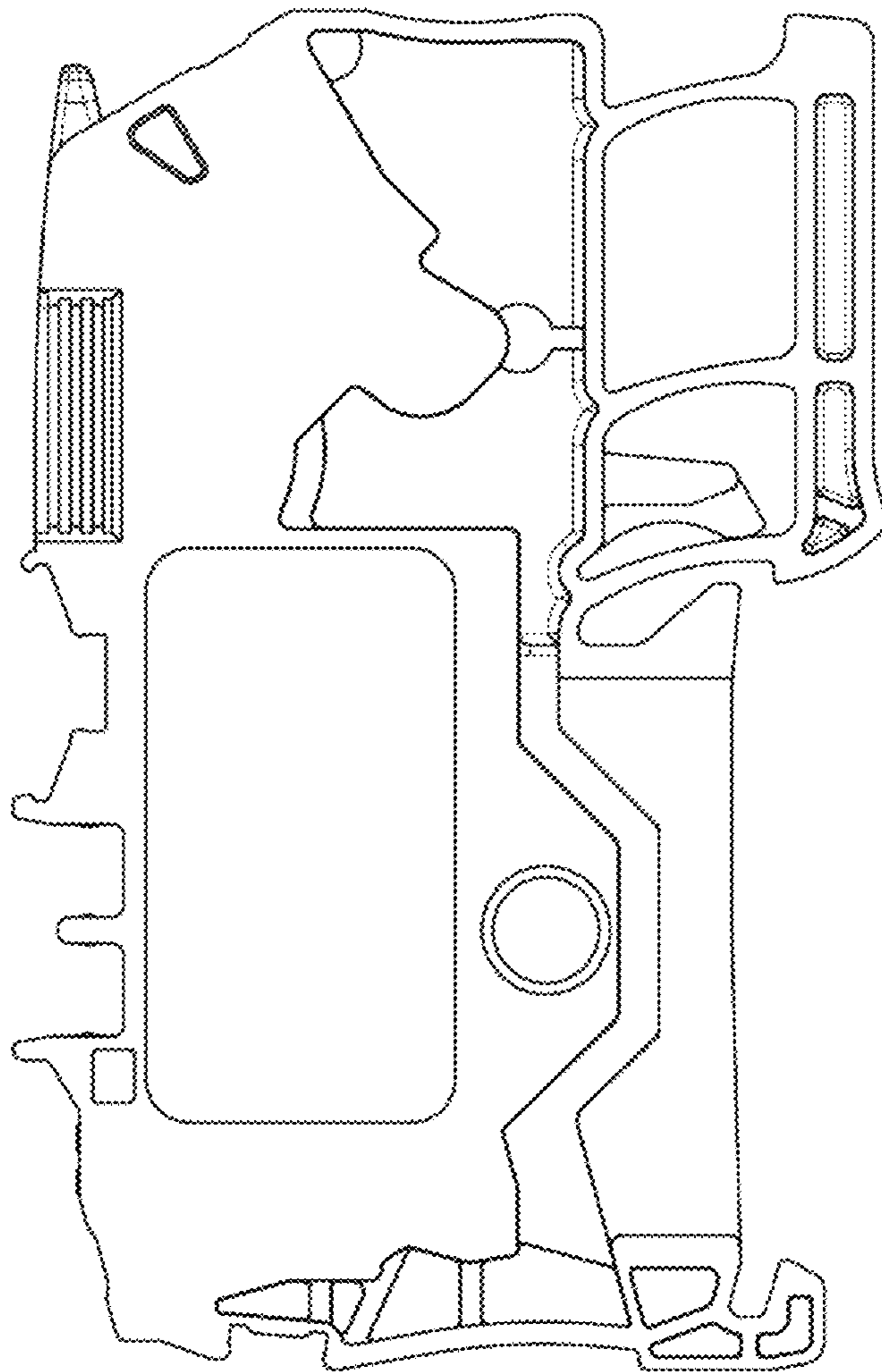


Fig. 22

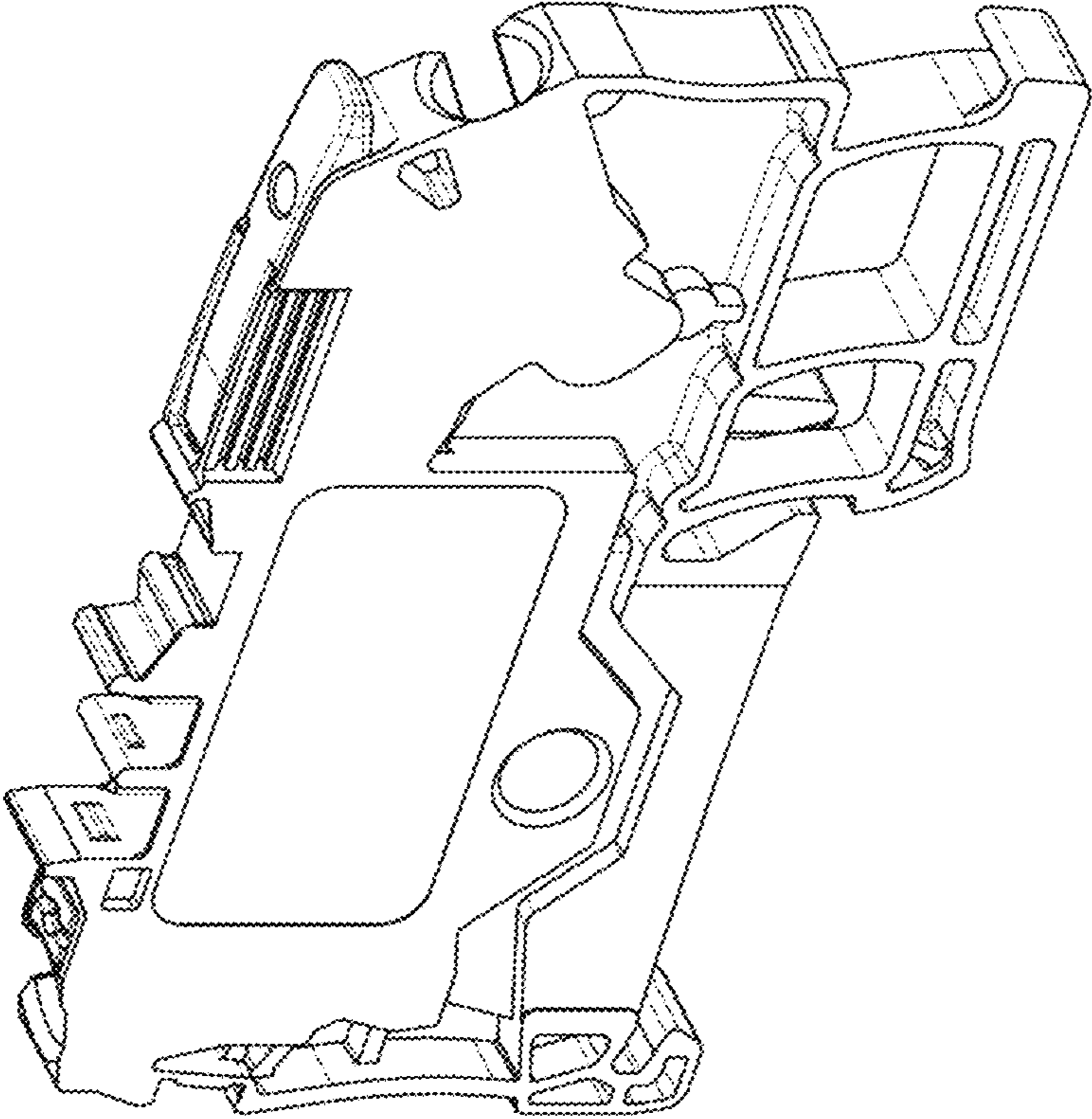


Fig. 23



Fig. 24

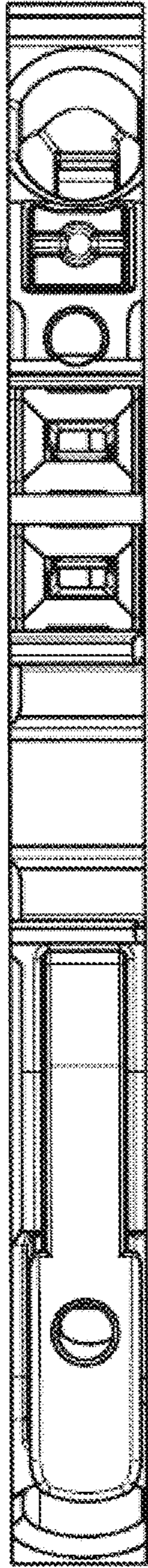
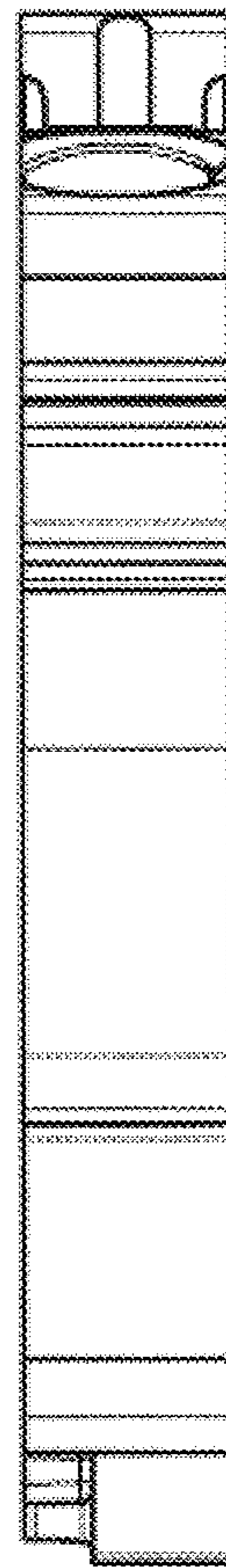


Fig. 25

Fig. 26



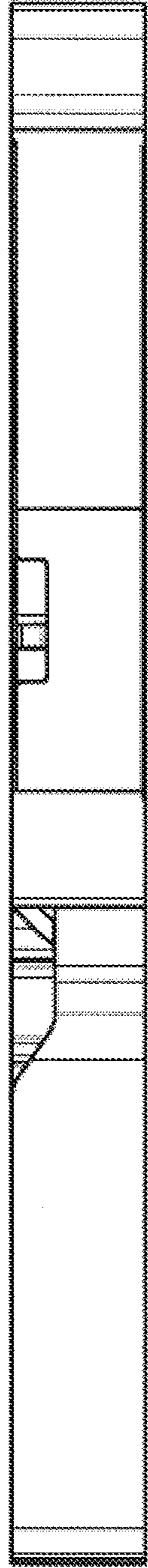


Fig. 27

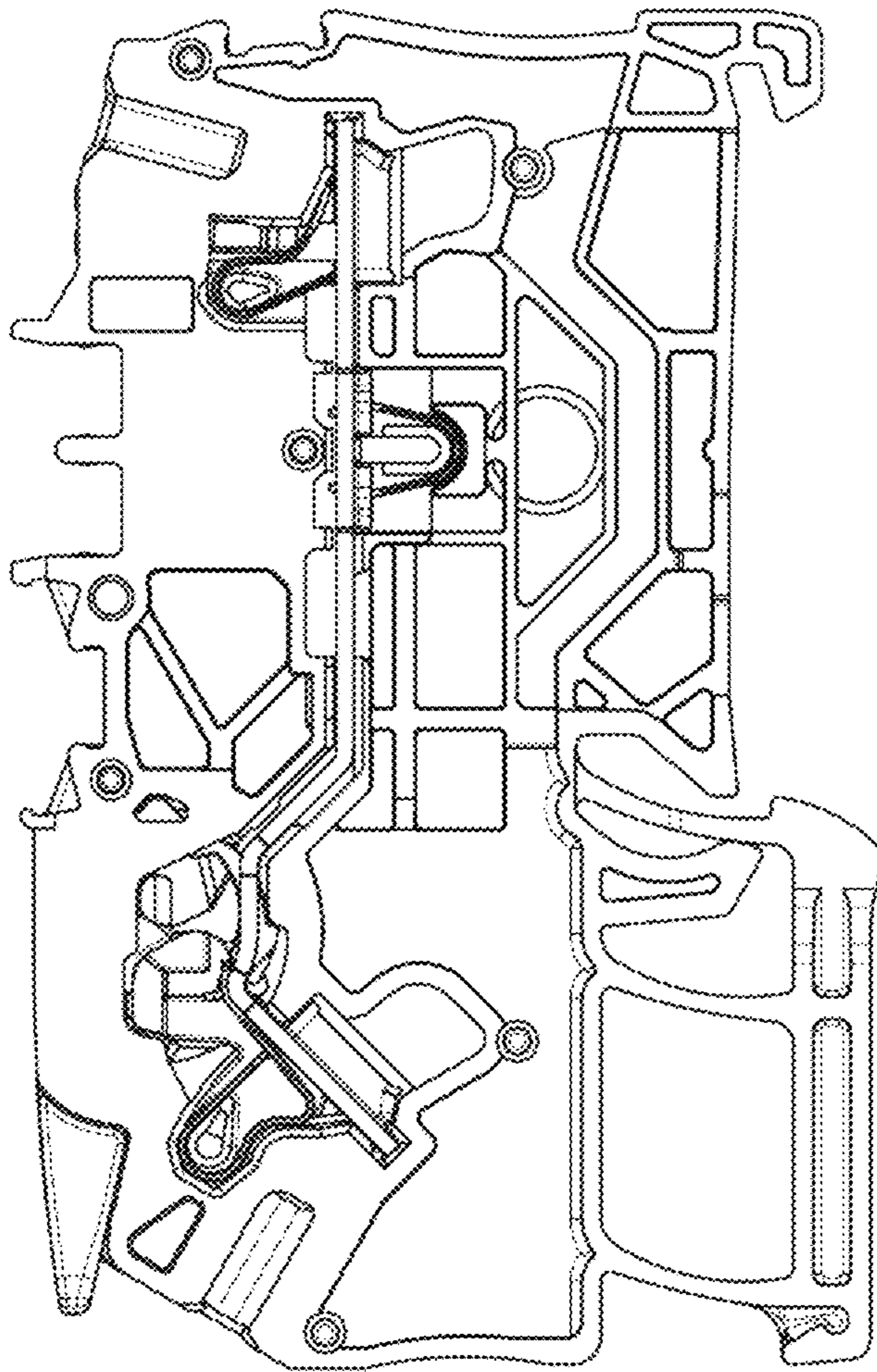


Fig.28