



US00D914612S

(12) **United States Design Patent**
Andersson et al.

(10) **Patent No.:** **US D914,612 S**
(45) **Date of Patent:** **** Mar. 30, 2021**

(54) **ELECTRICAL JUNCTION BOX FOR MOTOR DIAGNOSIS**

(71) Applicant: **SIEMENS AKTIENGESELLSCHAFT**, Munich (DE)

(72) Inventors: **Jan Andersson**, Erlangen (DE);
Stephan Hühne, Wilhermsdorf (DE);
Matthias Manger, Fürth (DE);
Michael Weigand, Roth (DE)

(73) Assignee: **SIEMENS AKTIENGESELLSCHAFT**, Munich (DE)

(**) Term: **15 Years**

(21) Appl. No.: **29/645,151**

(22) Filed: **Apr. 24, 2018**

(30) **Foreign Application Priority Data**

Oct. 25, 2017 (EM) 004420271

(51) **LOC (13) Cl.** **13-03**

(52) **U.S. Cl.**
USPC **D13/152**

(58) **Field of Classification Search**
USPC D13/103, 107, 108, 110, 133,
D13/137.1–137.4, 138.1–138.2,
D13/139.1–139.8, 146, 147, 151–156,
D13/173, 177, 199; D14/432, 433, 435.1,
D14/250; D23/231, 232; D15/7–9;
D8/350, 353–356

CPC H01R 11/00; H01R 9/00; H01R 13/00;
H01R 13/04; H01R 13/10; H01R
13/6666; H01R 13/6675; H01R 25/00;
H01R 25/006; H01H 2207/00; H01H
2207/022; Y02E 60/12; Y02E 60/122;
Y02E 60/124; Y02E 60/50; H01M 2/02;
H01M 2/022; H01M 2/0202; H01M
2/0207; H01M 2/0212; H01M 2/1061;

H01M 2/1022; H01M 2/1055; H01M
2/1066; H01M 2/105; H01M 2/204; H02J
7/00; H02J 7/0003; H02J 7/0011; H02J
7/0013; H02J 7/0054; H02J 7/0055; H02J
7/0057; Y02T 10/7005; Y02T 10/705;
Y02T 10/7088; B60L 11/1809; B60L
11/1861

See application file for complete search history.

(56) **References Cited**

U.S. PATENT DOCUMENTS

D700,136 S *	2/2014	Morris	D13/103
D735,198 S *	7/2015	Song	D14/432
D745,010 S *	12/2015	Kim	D14/433
D793,958 S *	8/2017	Rautiainen	D13/108
D795,182 S *	8/2017	Akana	D13/108
D797,671 S *	9/2017	Andersson	D13/122
D826,151 S *	8/2018	Akana	D13/108
D832,208 S *	10/2018	Grois	D13/108

(Continued)

Primary Examiner — Christy Nemeth

(74) *Attorney, Agent, or Firm* — Henry M. Feiereisen LLC

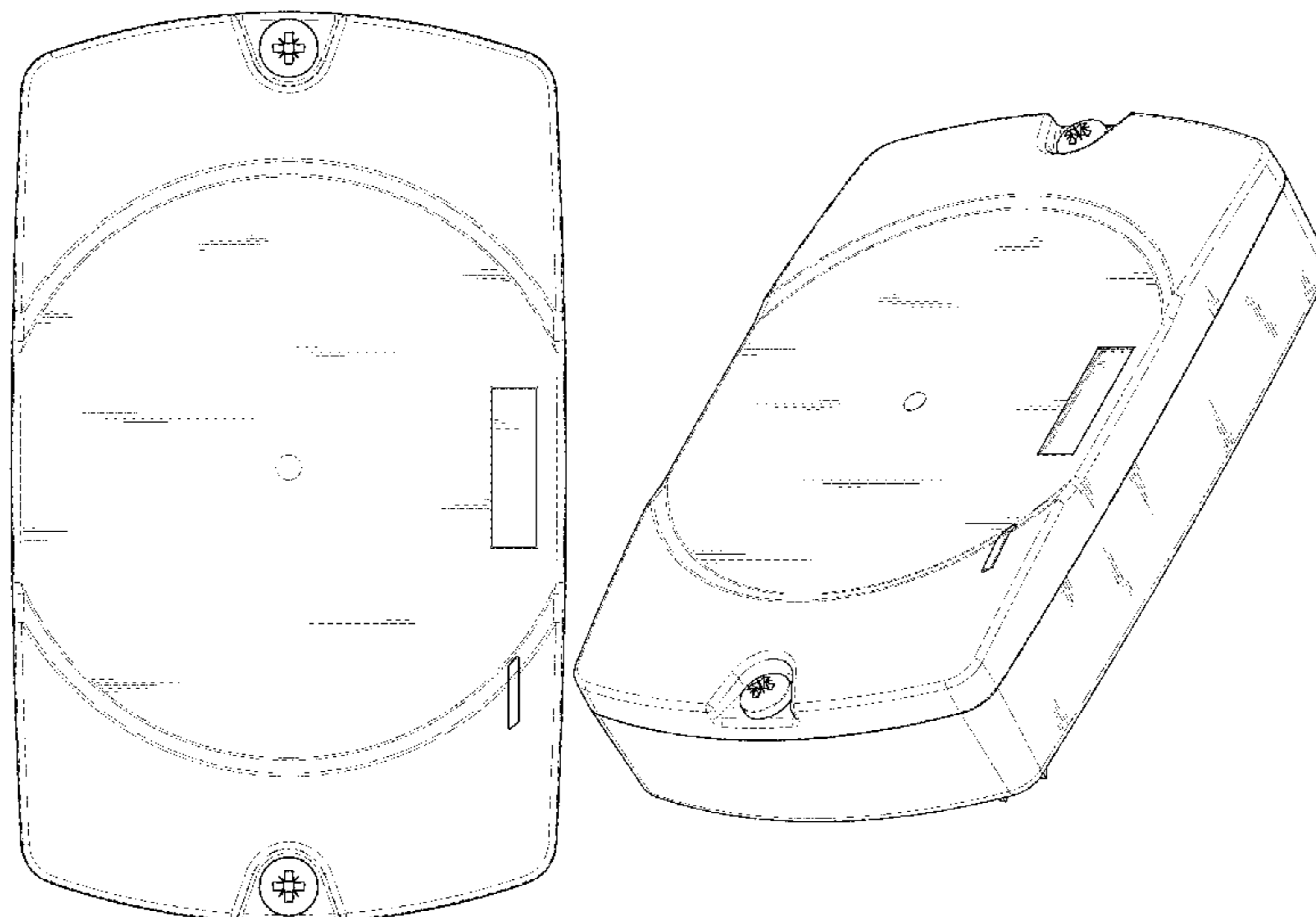
(57) **CLAIM**

The ornamental design for an electrical junction box for motor diagnosis, as shown and described.

DESCRIPTION

FIG. 1 is a front elevation view of an electrical junction box for motor diagnosis;
FIG. 2 is a rear elevation view thereof;
FIG. 3 is a top plan view thereof;
FIG. 4 is a bottom plan view thereof;
FIG. 5 is a left side elevation view thereof;
FIG. 6 is a right side elevation view thereof; and,
FIG. 7 is a front, top, left side perspective view thereof.
The broken lines depict portions of the electrical junction box for motor diagnosis that form no part of the claim.

1 Claim, 7 Drawing Sheets



(56)

References Cited

U.S. PATENT DOCUMENTS

D863,226 S * 10/2019 Andersson D13/152
D864,145 S * 10/2019 Zhang D14/155

* cited by examiner

FIG. 1

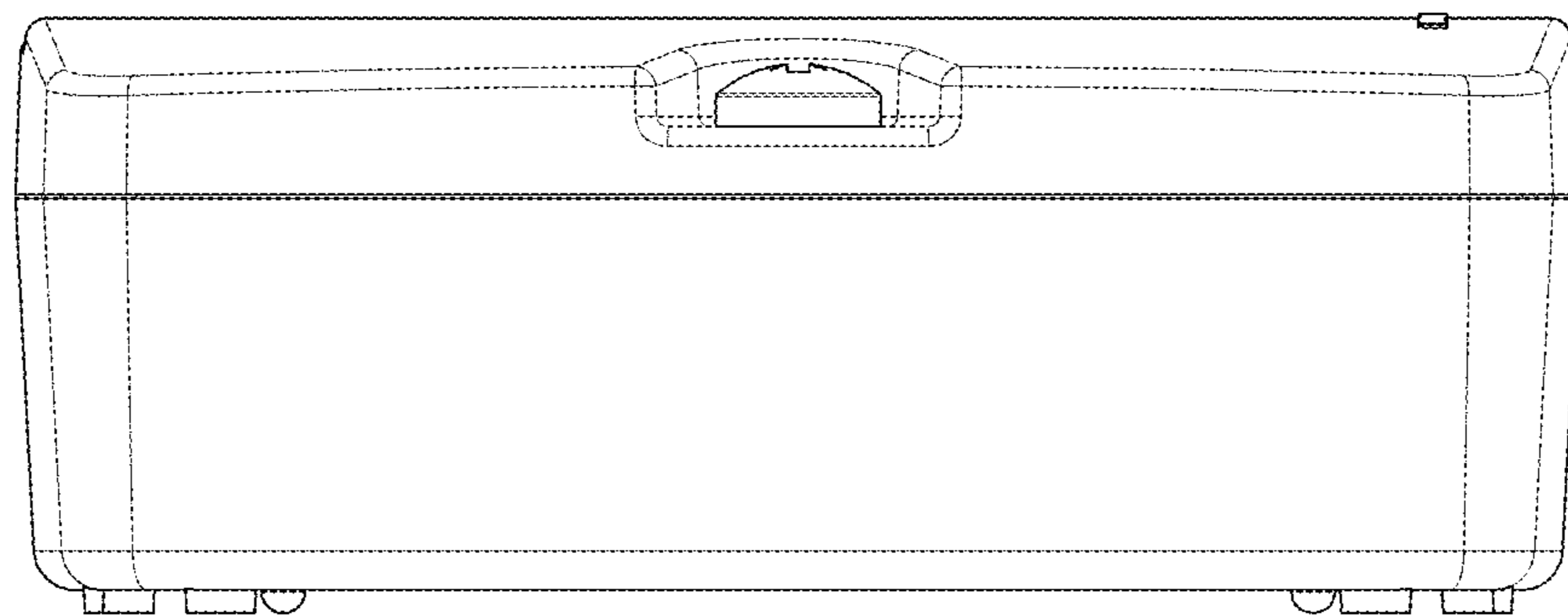


FIG.2

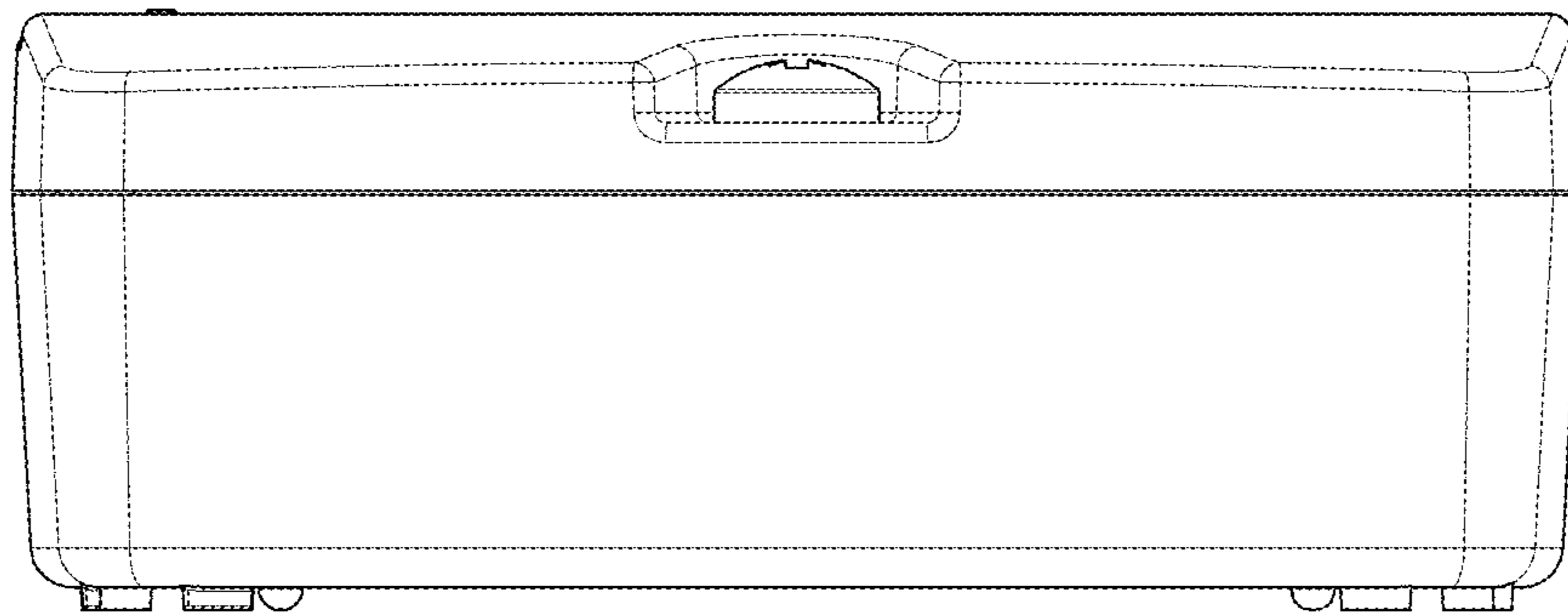


FIG.3

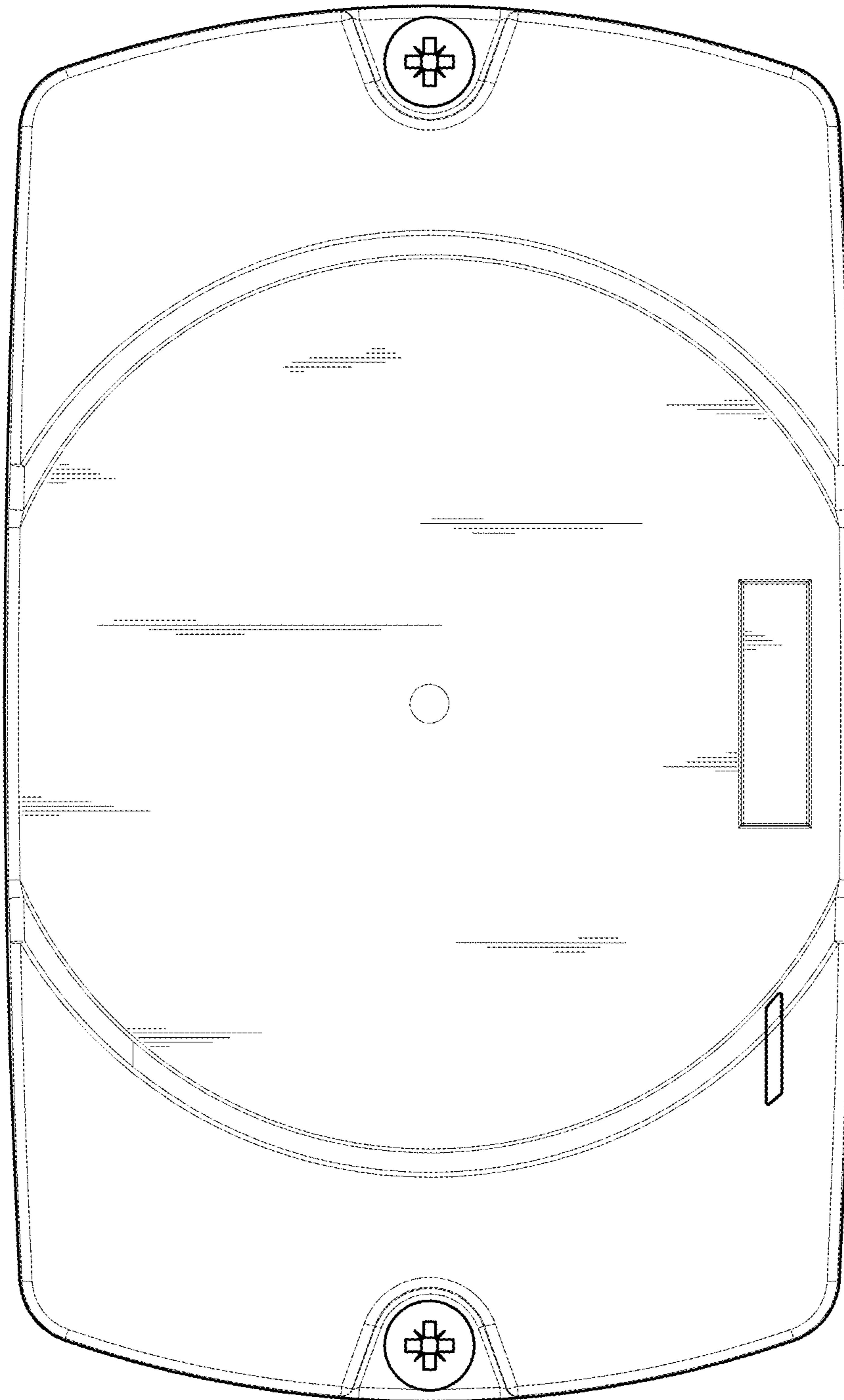


FIG. 4

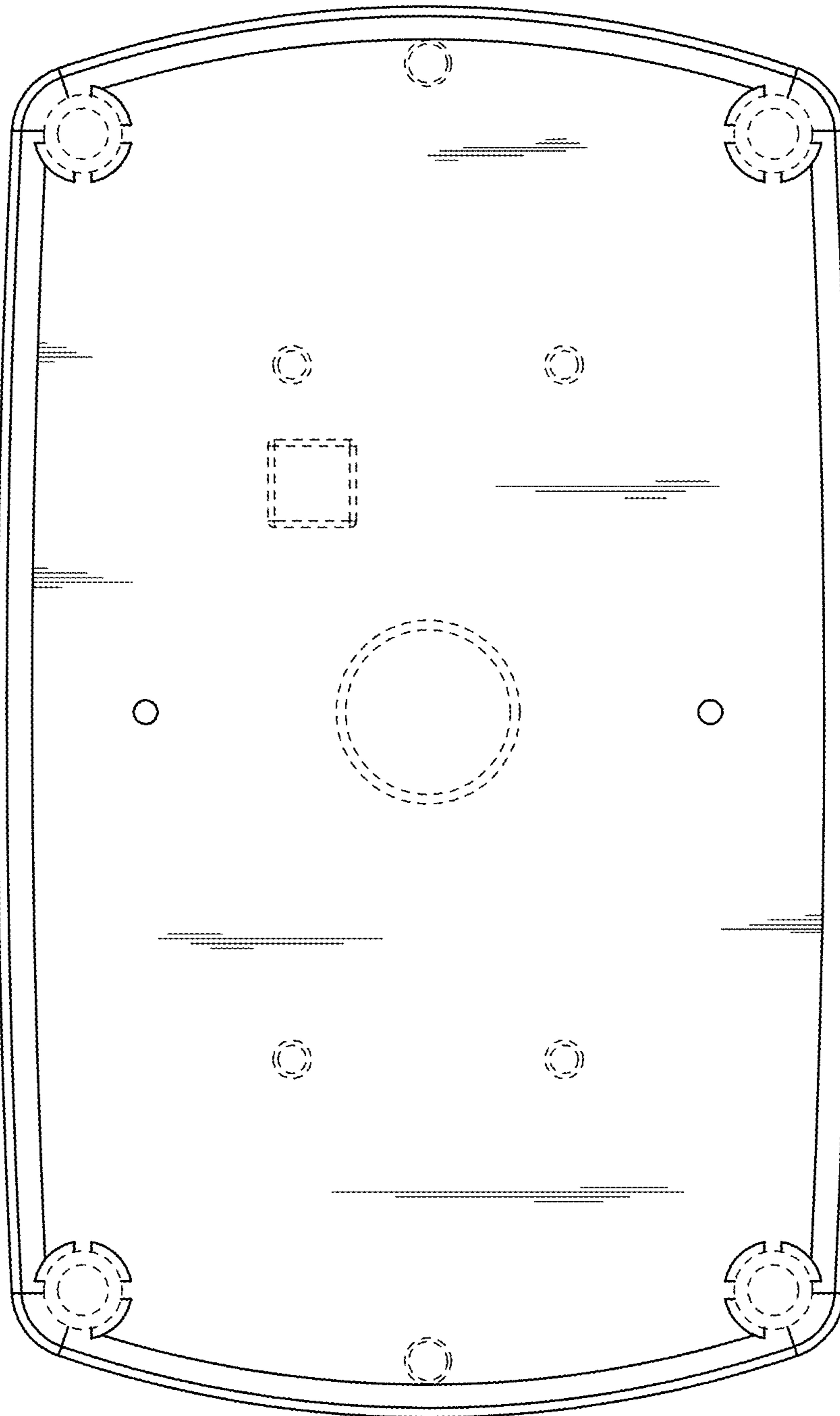


FIG.5

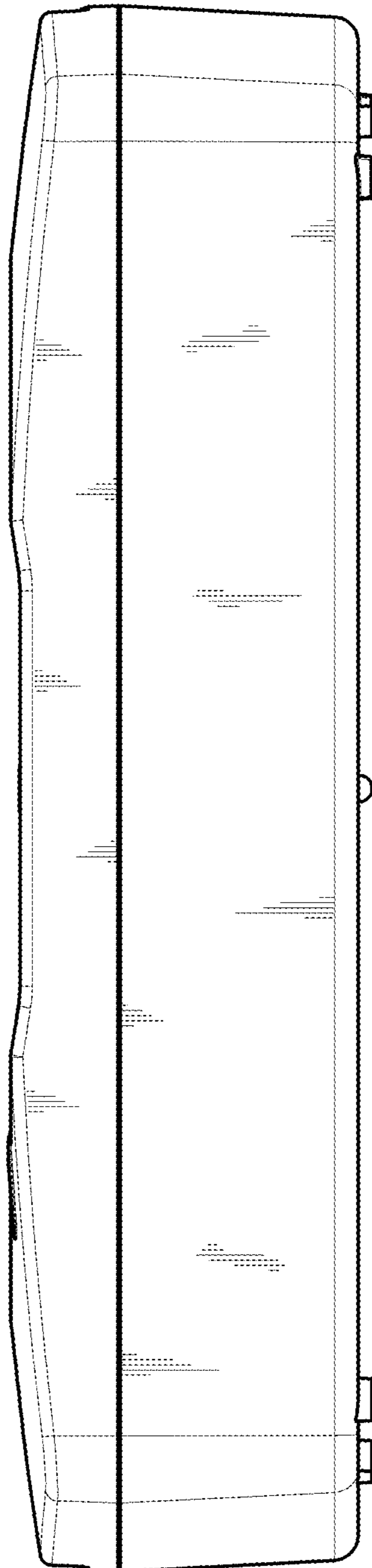


FIG.6

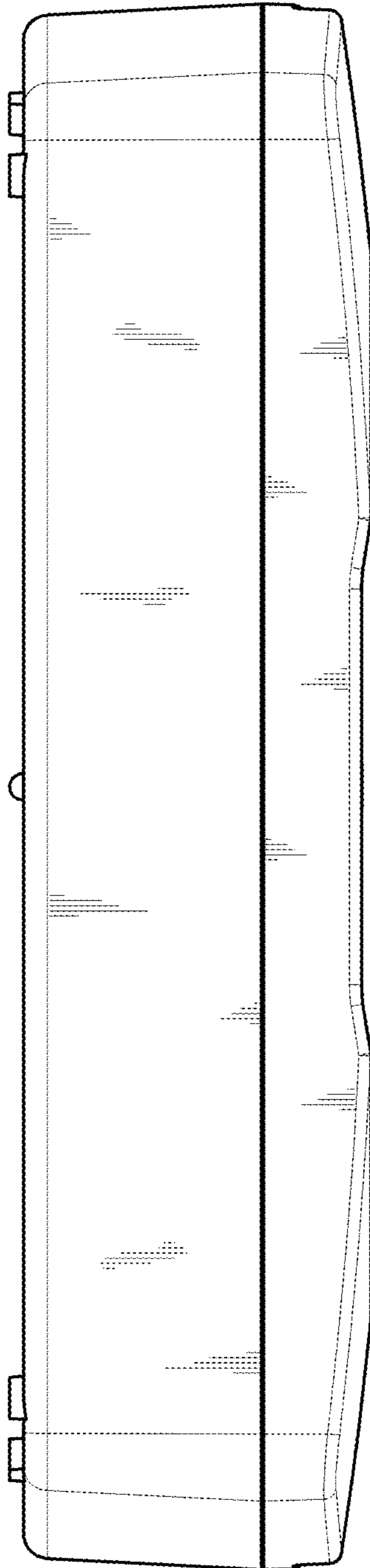


FIG.7

