



US00D914611S

(12) **United States Design Patent**
Li

(10) **Patent No.:** **US D914,611 S**

(45) **Date of Patent:** **** *Mar. 30, 2021**

- (54) **CAR CHARGER**
- (71) Applicant: **Shenzhen Aukey E-Business Co., Ltd.,**
Shenzhen (CN)
- (72) Inventor: **Yongzhu Li, Shenzhen (CN)**
- (73) Assignee: **Shenzhen Aukey E-Business Co., Ltd.,**
Shenzhen (CN)

7,500,881 B1 * 3/2009 Lin H01R 31/02
439/668
D615,043 S * 5/2010 Tang D13/144
D743,885 S * 11/2015 Nazar D13/108
D800,377 S * 10/2017 Liu D27/101
D807,820 S * 1/2018 Nazar D13/108
D839,201 S * 1/2019 Jin D13/144
D869,389 S * 12/2019 Chen D13/108

- (*) Notice: This patent is subject to a terminal disclaimer.
- (**) Term: **15 Years**

OTHER PUBLICATIONS

Amazon.com. Aukey Car Charger with USB C Port & Dual AiPower Ports. Date First Available Mar. 1, 2016. <https://www.amazon.com/AUKEY-Charger-AiPower-Qualcomm-Certified/dp/B018TGGH4E#customerReviews> (Year: 2016).*

- (21) Appl. No.: **29/573,770**
- (22) Filed: **Aug. 9, 2016**
- (51) **LOC (13) Cl.** **13-03**
- (52) **U.S. Cl.**
USPC **D13/144**
- (58) **Field of Classification Search**
USPC D13/107, 108, 110, 144, 199; D14/144,
D14/217, 258
CPC H01R 31/065; H01R 13/6675; H02J 7/02;
B60N 3/14
See application file for complete search history.

* cited by examiner

Primary Examiner — Jennifer O King
(74) *Attorney, Agent, or Firm* — Jiangip LLC; Yanling Jiang; Bu Yi

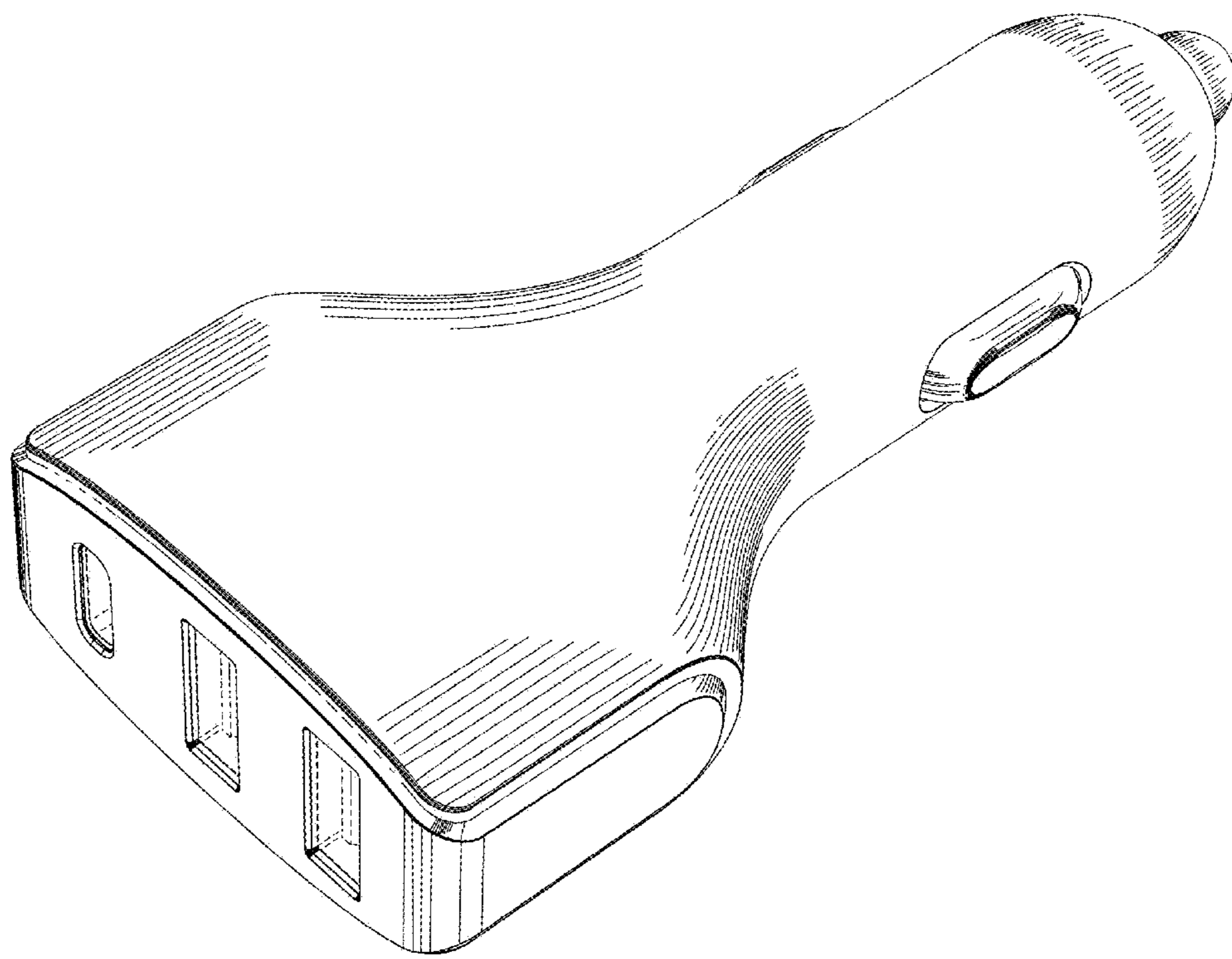
- (56) **References Cited**
U.S. PATENT DOCUMENTS
D330,887 S * 11/1992 Wharton D13/144
D470,848 S * 2/2003 Morooka D14/433
D504,407 S * 4/2005 Cohen D13/144
D506,455 S * 6/2005 Bey D13/144

(57) **CLAIM**
The ornamental design for a car charger, as shown and described.

DESCRIPTION

FIG. 1 is a perspective view showing a car charger.
FIG. 2 is a front view of a car charger.
FIG. 3 is a rear view of a car charger.
FIG. 4 is a top view of a car charger.
FIG. 5 is a bottom view of a car charger.
FIG. 6 is a side view of a car charger; and,
FIG. 7 is a side view of a car charger.

1 Claim, 7 Drawing Sheets



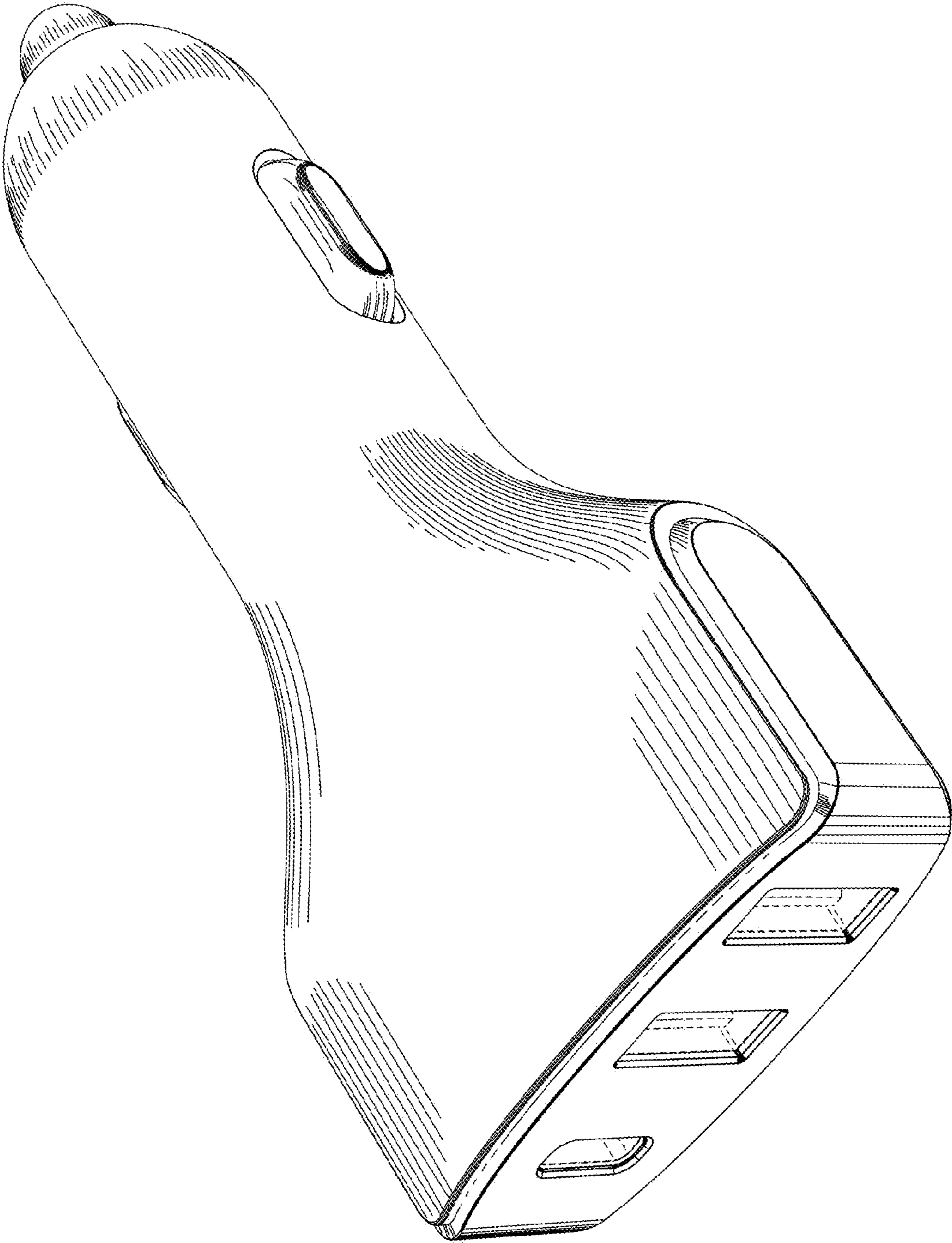


Fig. 1

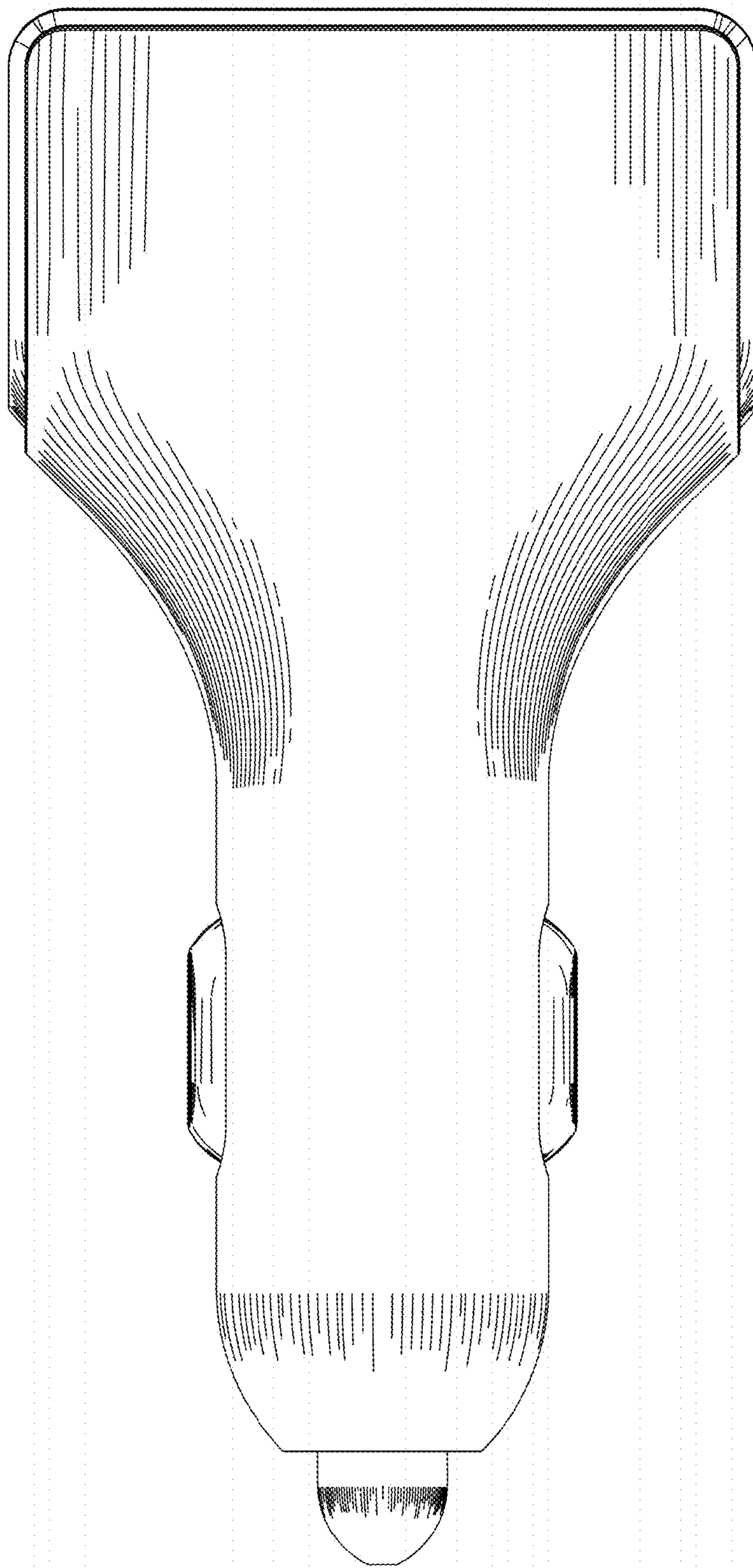


Fig. 2

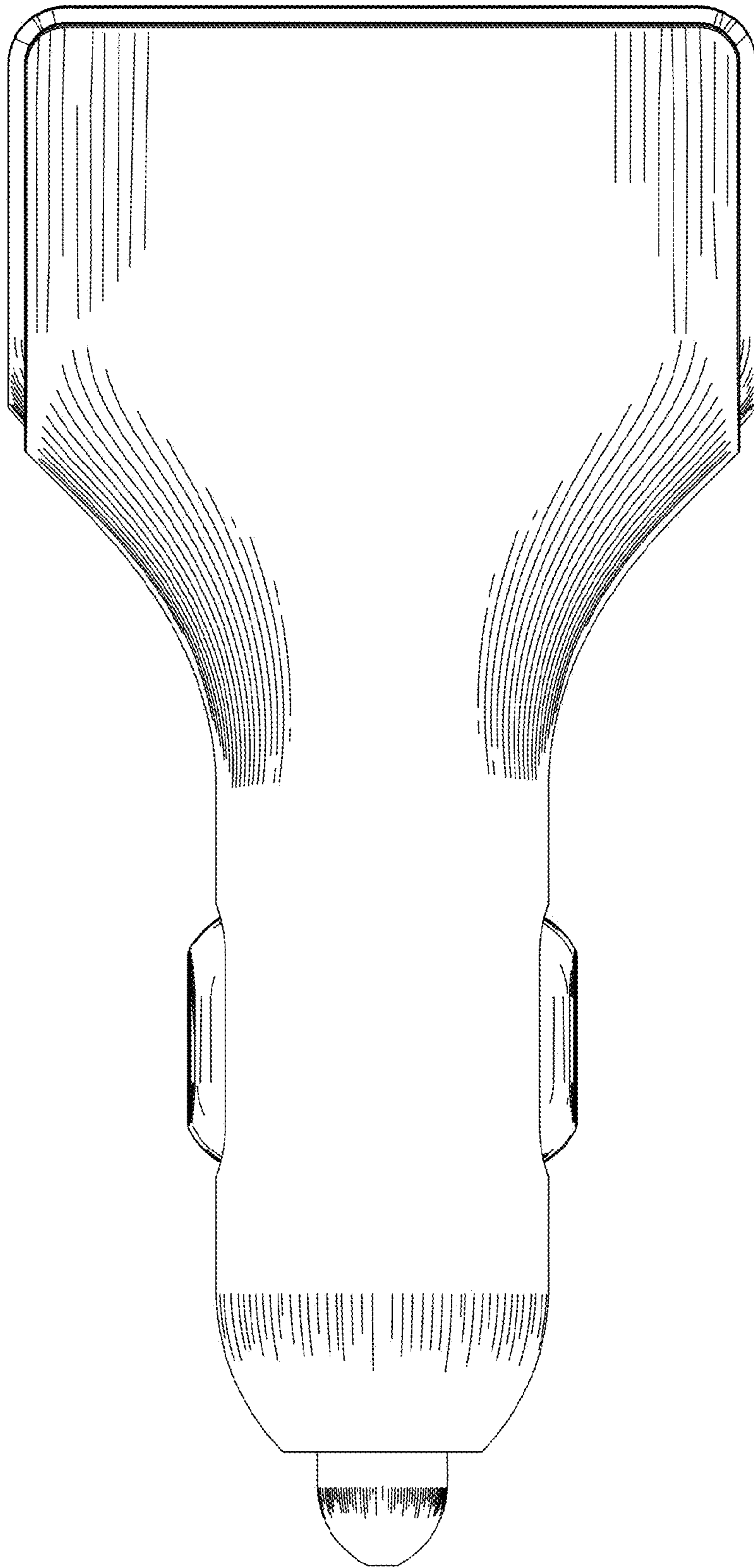


Fig. 3

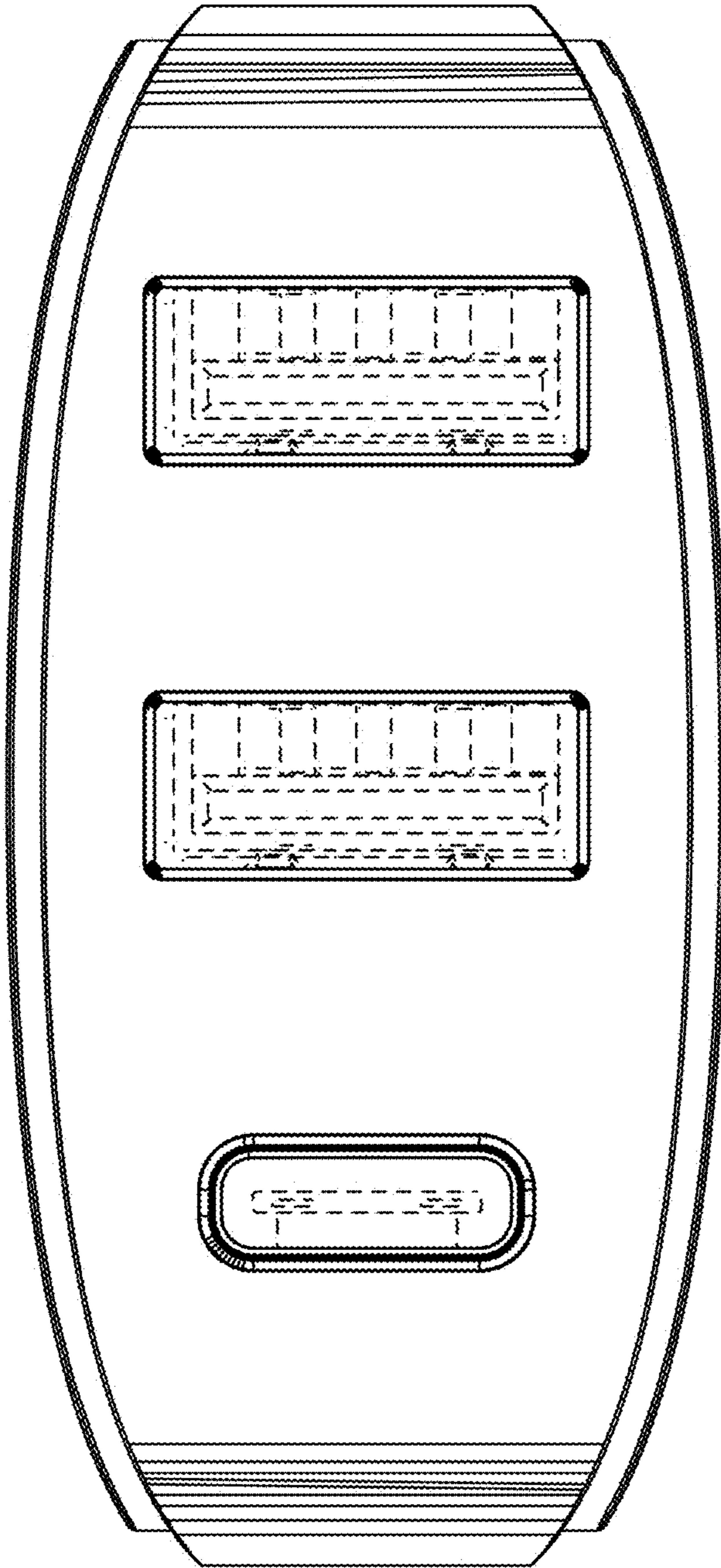


Fig. 4

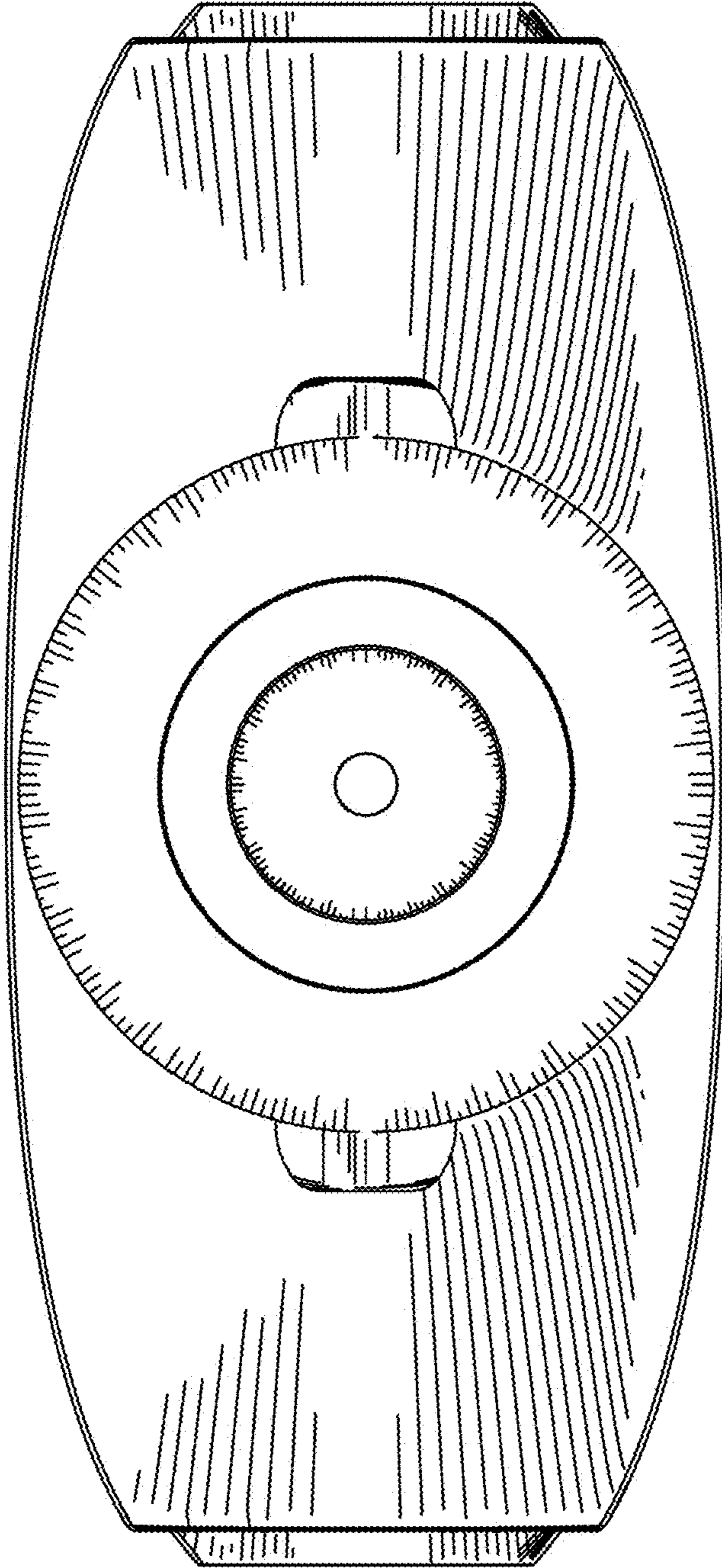


Fig. 5

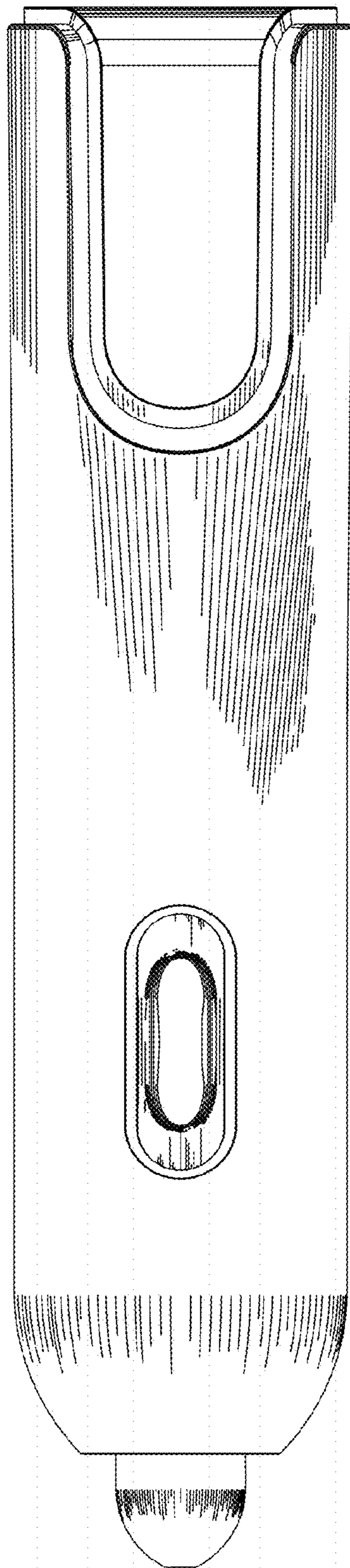


Fig. 6

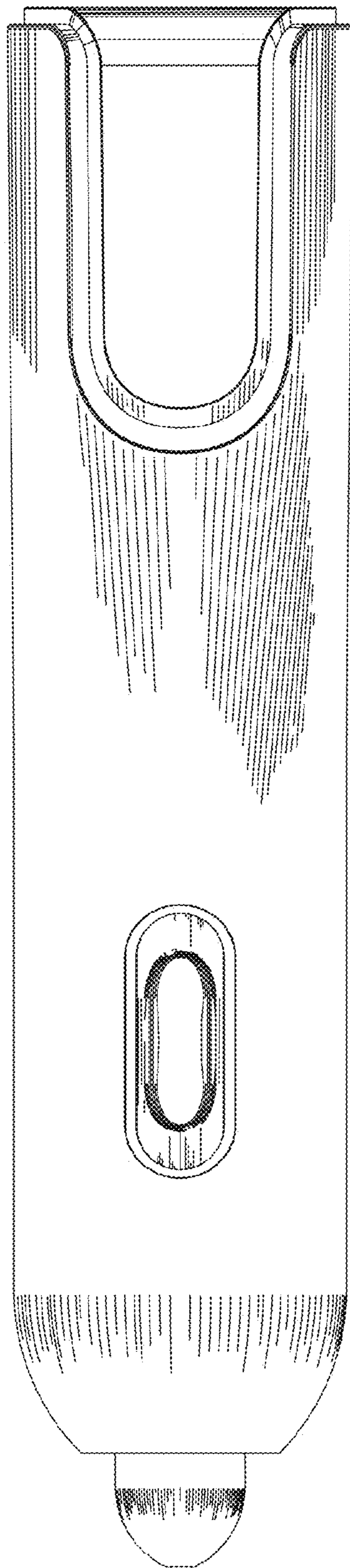


Fig. 7