



US00D914610S

(12) **United States Design Patent**
Lyu et al.

(10) **Patent No.:** **US D914,610 S**
(45) **Date of Patent:** **** Mar. 30, 2021**

- (54) **SURGE PROTECTOR**
- (71) Applicant: **ZHUHAI TI-CORE ENGINE TECHNOLOGY CO., LTD**, Zhuhai (CN)
- (72) Inventors: **Shaopeng Lyu**, Shantou (CN); **Guiming Wang**, Liaoyuan (CN)
- (73) Assignee: **ZHUHAI TI-CORE ENGINE TECHNOLOGY CO., LTD**, Zhuhai (CN)
- (**) Term: **15 Years**
- (21) Appl. No.: **29/746,683**
- (22) Filed: **Aug. 16, 2020**
- (51) **LOC (13) Cl.** **13-03**
- (52) **U.S. Cl.**
USPC **D13/139.1**
- (58) **Field of Classification Search**
USPC D13/139.1-139.8, 110, 137.1, 137.2
CPC H02G 3/081; G05B 15/02; G06F 1/266; H01H 73/303; H02H 9/005; H01R 25/003; H01R 13/72; H01R 13/514; H01R 25/006
See application file for complete search history.

- D411,511 S * 6/1999 Rossman D13/139.6
- D425,482 S * 5/2000 Rossman D13/139.1
- 6,179,665 B1 * 1/2001 Rossman H01R 13/72
439/131
- D467,873 S * 12/2002 Yu D13/137.2
- D467,875 S 12/2002 Barger
- D470,460 S * 2/2003 Yu D13/139.8
- 6,573,617 B2 * 6/2003 Jones H01R 13/514
307/36
- 6,666,712 B1 * 12/2003 Kramer G06F 1/266
439/501

(Continued)

Primary Examiner — Rhea Shields

(57) **CLAIM**

The ornamental design for a surge protector, as shown and described.

DESCRIPTION

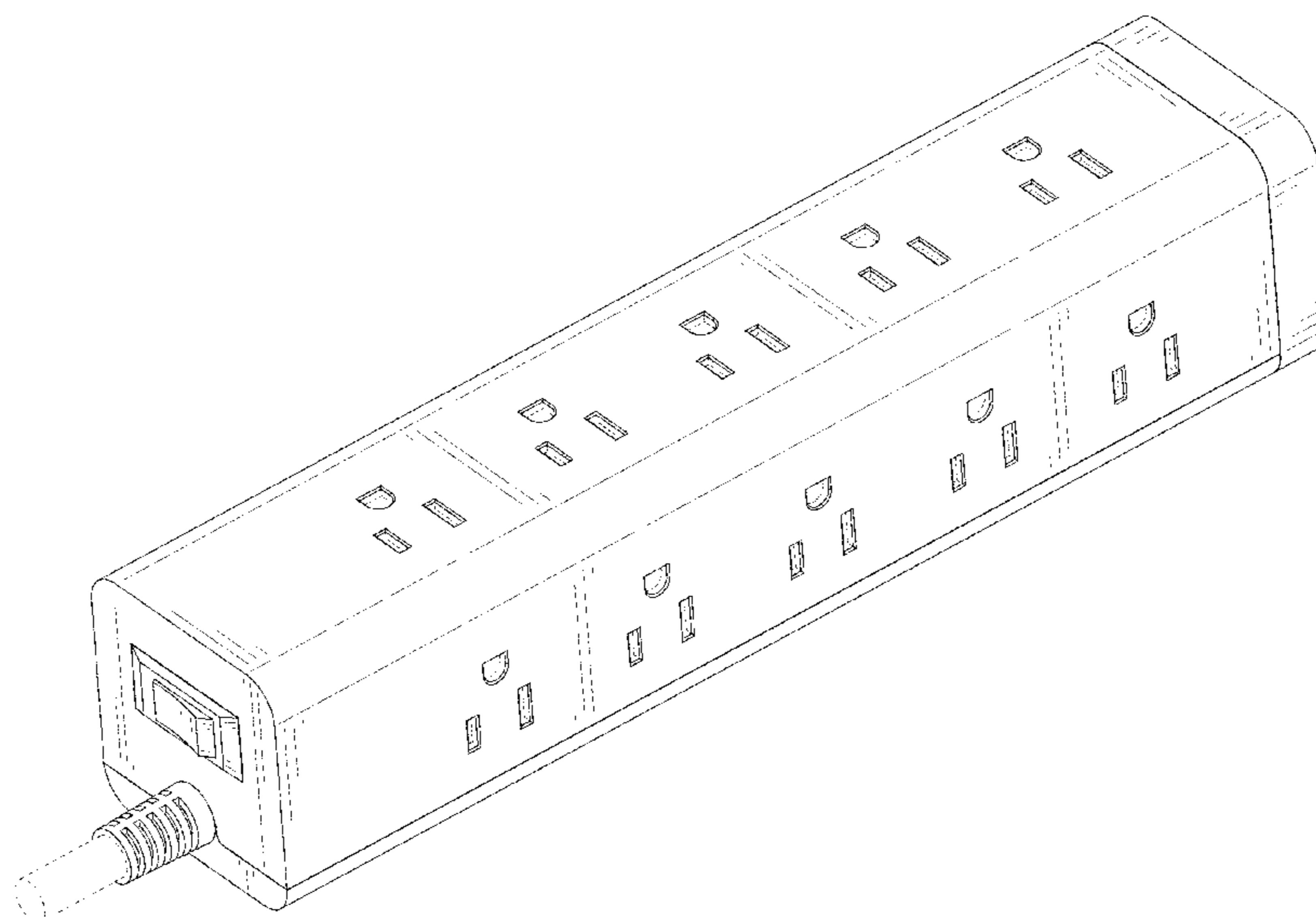
FIG. 1 is a perspective view of a first embodiment of a surge protector showing our new design;
 FIG. 2 is another perspective view thereof;
 FIG. 3 is a front elevational view thereof;
 FIG. 4 is a rear elevational view thereof;
 FIG. 5 is a left side elevational view thereof;
 FIG. 6 is a right side elevational view thereof;
 FIG. 7 is a top plan view thereof;
 FIG. 8 is a bottom plan view thereof;
 FIG. 9 is a perspective view of a second embodiment of the surge protector showing my new design;
 FIG. 10 is another perspective view thereof;
 FIG. 11 is a front elevational view thereof;
 FIG. 12 is a rear elevational view thereof;
 FIG. 13 is a left side elevational view thereof;
 FIG. 14 is a right side elevational view thereof;
 FIG. 15 is a top plan view thereof; and,
 FIG. 16 is a bottom plan view thereof.
 In the drawings, the broken lines are for the purpose of illustrating portions of the surge protector that forms no part of the claimed design.

1 Claim, 16 Drawing Sheets

(56) **References Cited**

U.S. PATENT DOCUMENTS

- D301,576 S * 6/1989 Wang D13/139.8
- 4,999,729 A * 3/1991 Stifter H02H 9/005
361/111
- D319,213 S * 8/1991 Wiand D13/139.8
- D350,940 S * 9/1994 Rossman D13/139.8
- D368,893 S * 4/1996 Harwood D13/139.8
- 5,526,225 A * 6/1996 Wang H01H 73/303
307/150
- D382,855 S * 8/1997 Salmond D13/139.8
- D401,220 S * 11/1998 Dwight D13/139.6
- D402,963 S * 12/1998 Parshad D13/139.6



(56)

References Cited

U.S. PATENT DOCUMENTS

6,844,494	B1 *	1/2005	Nevins	H01R 25/003 174/135
D507,237	S *	7/2005	Gregory	D13/139.8
D528,509	S	9/2006	Chesebro et al.	
D537,041	S	2/2007	Chesebro et al.	
D576,553	S *	9/2008	Lee	D13/139.6
D626,071	S *	10/2010	Su	D13/139.8
8,376,782	B2 *	2/2013	Govekar	H01R 25/006 439/652
8,427,283	B2 *	4/2013	Lee	G05B 15/02 340/12.22
D796,443	S *	9/2017	Xu	D13/139.6
D801,276	S *	10/2017	Lin	D13/139.7
D807,831	S *	1/2018	Xu	D13/139.8
D851,598	S *	6/2019	Liang	D13/139.7
D852,749	S *	7/2019	Wang	D13/139.8
10,446,992	B2 *	10/2019	Sharp	H02G 3/081
D874,401	S *	2/2020	Zhong	D13/110
D878,300	S *	3/2020	Lyu	D13/139.8
D883,219	S *	5/2020	Lyu	D13/139.1
D886,064	S *	6/2020	Chen	D13/139.8
D894,837	S *	9/2020	Chen	D13/139.7
D908,631	S *	1/2021	Yu	D13/137.2

* cited by examiner

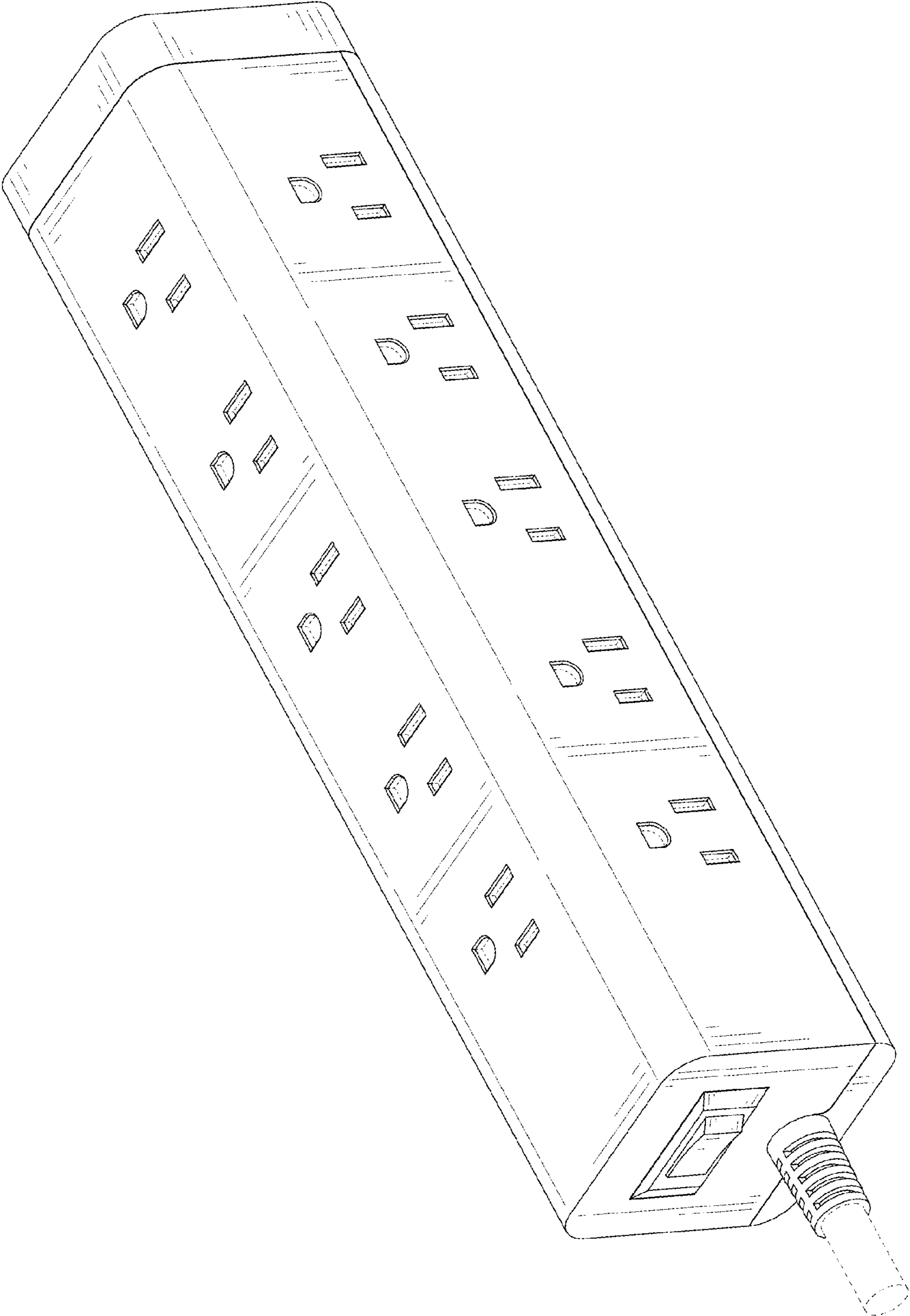


FIG. 1

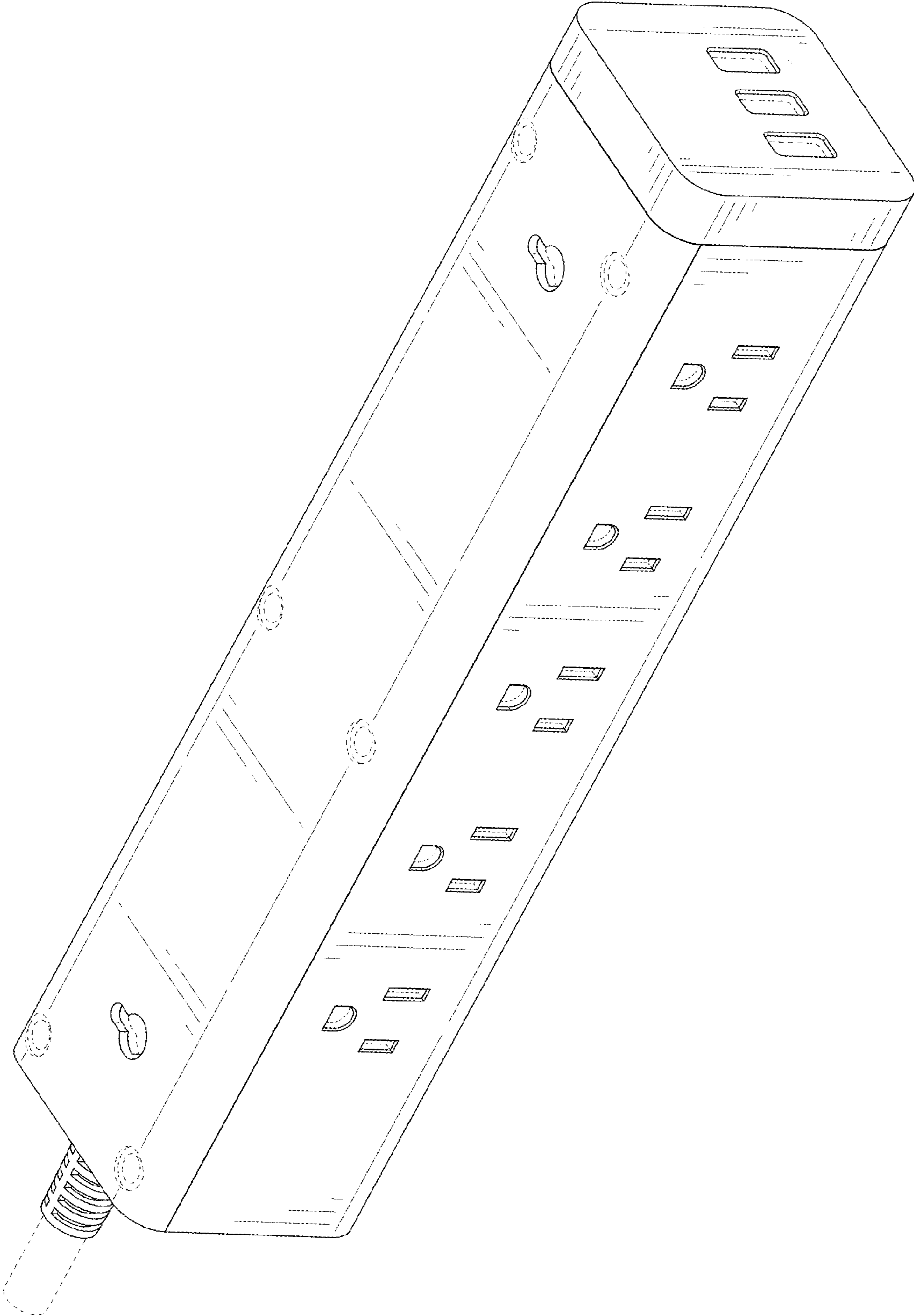


FIG. 2

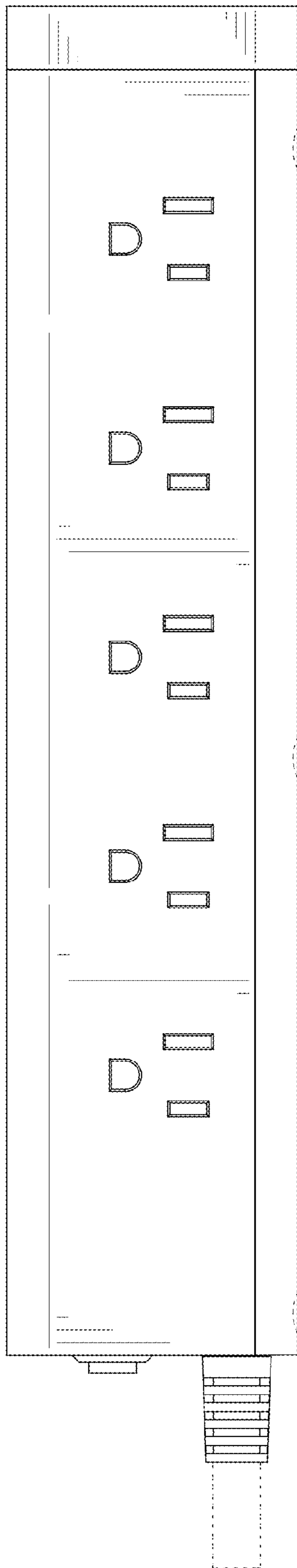


FIG. 3

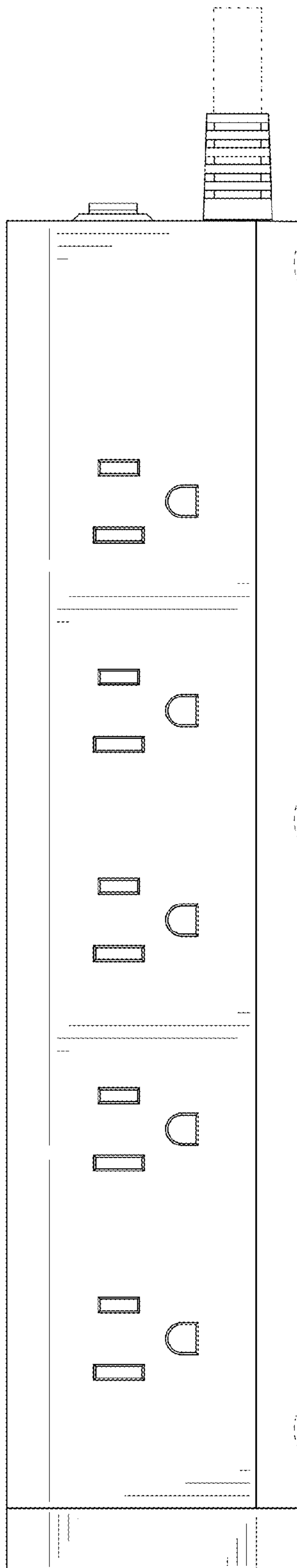


FIG. 4

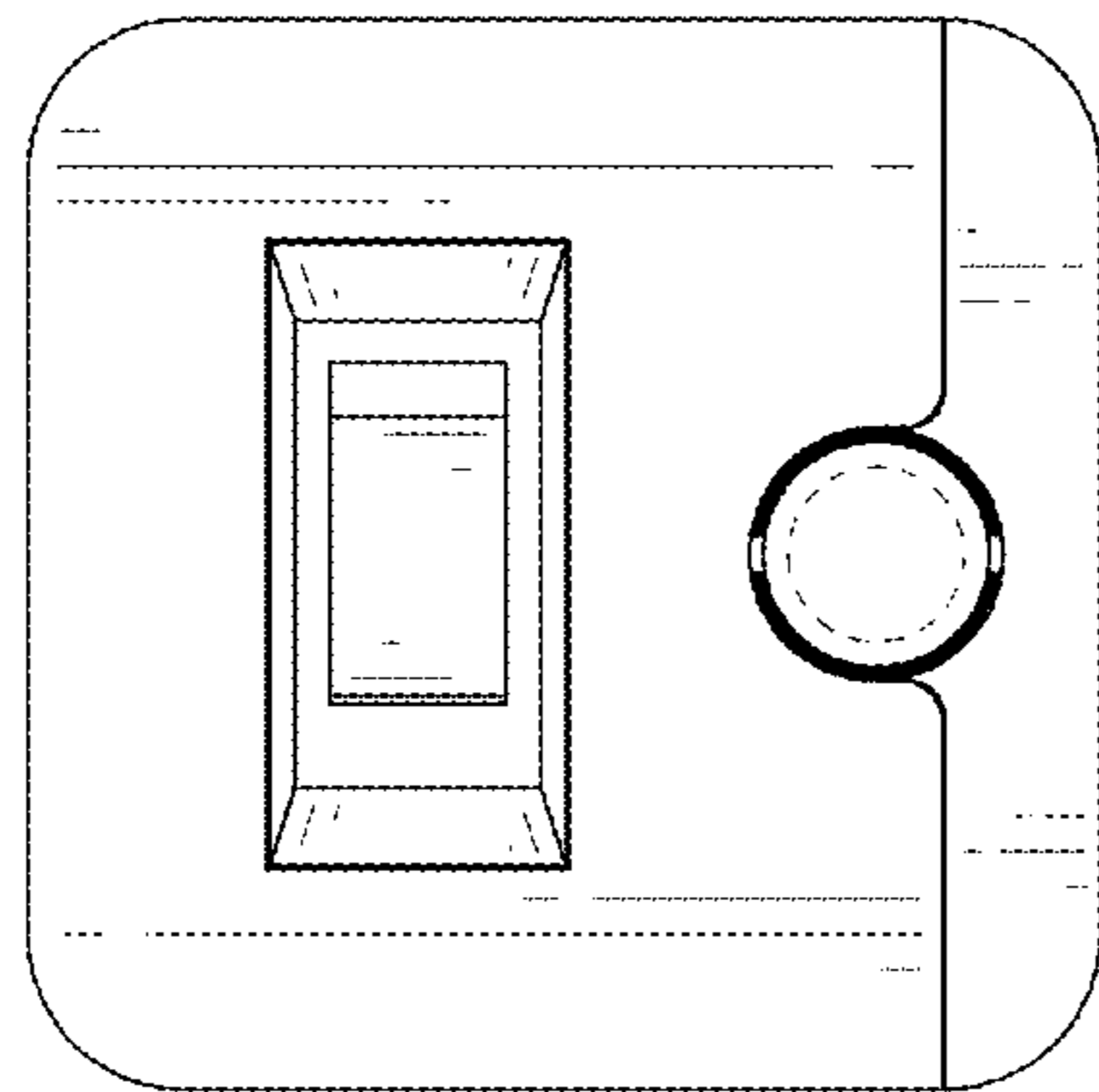


FIG. 5

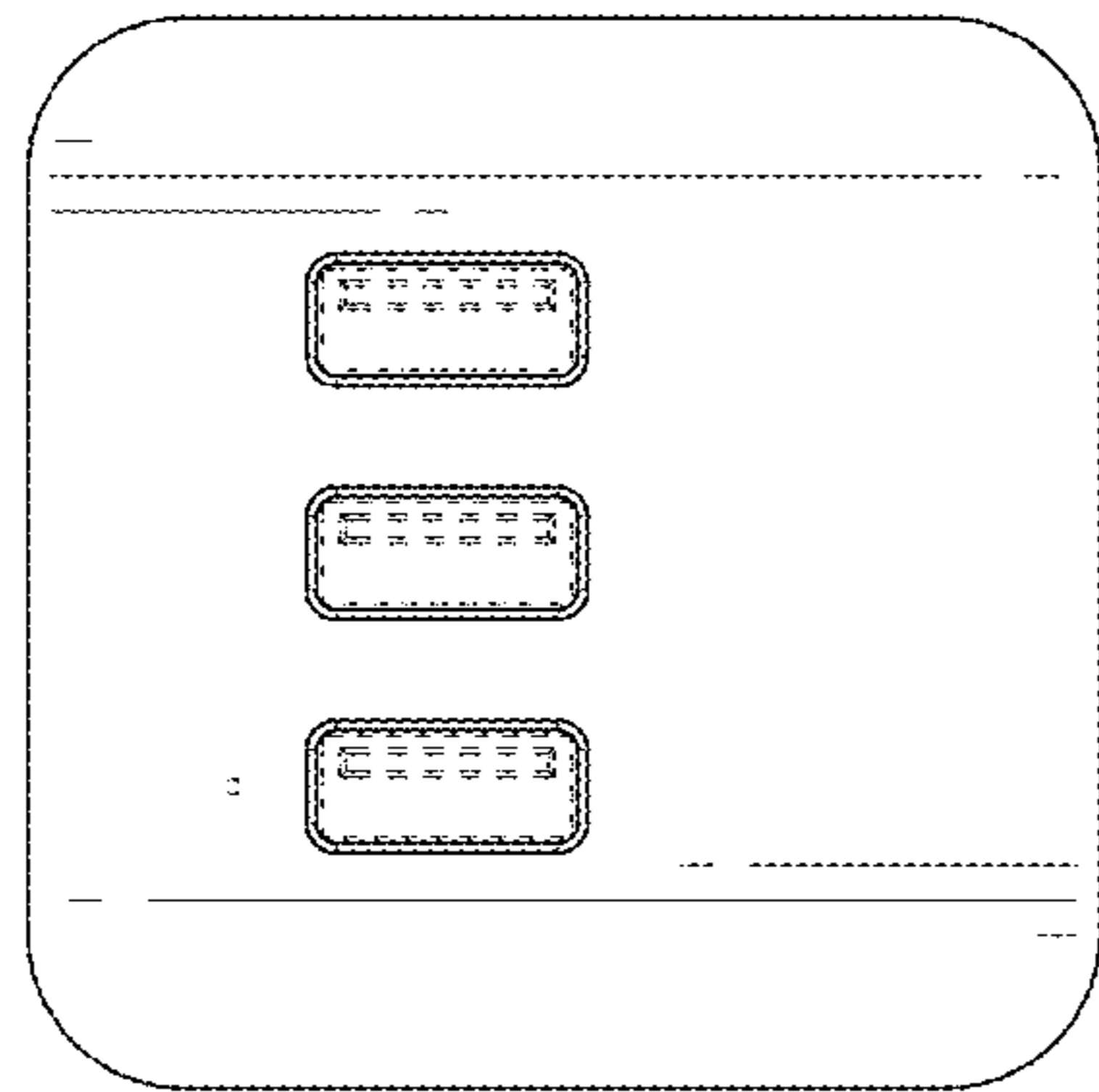


FIG. 6

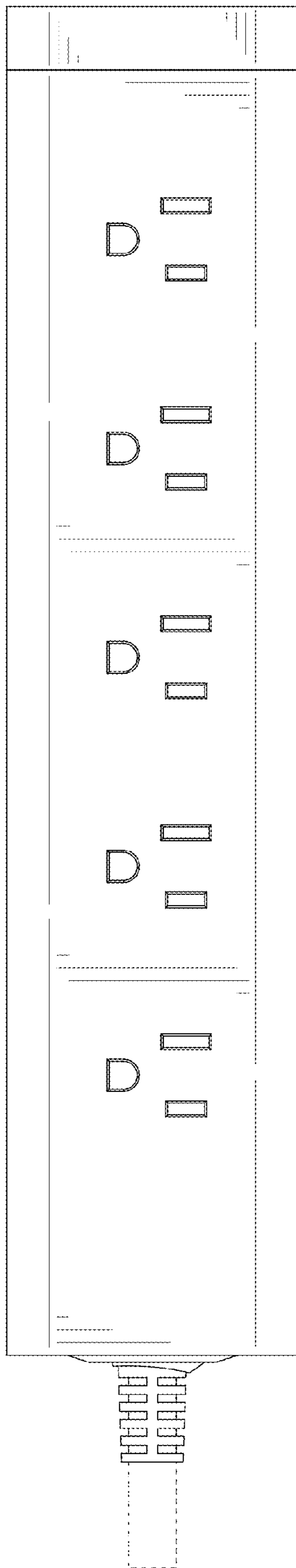


FIG. 7

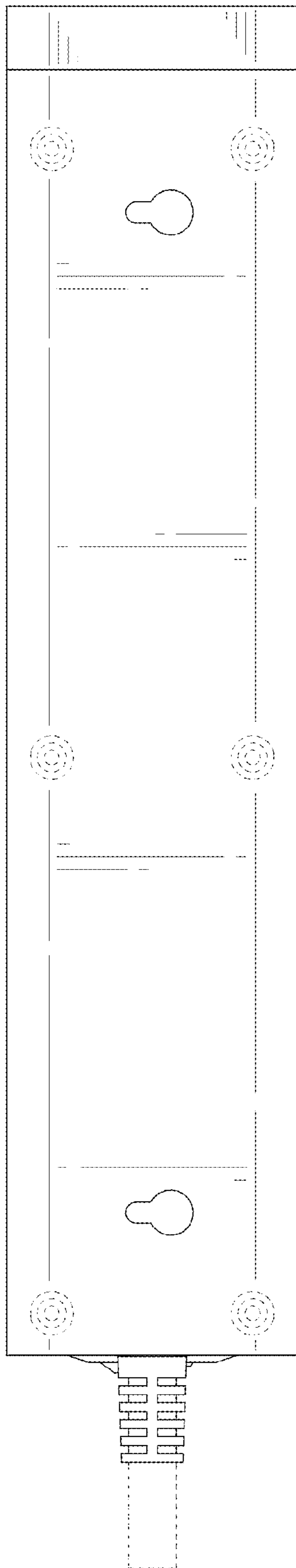


FIG. 8

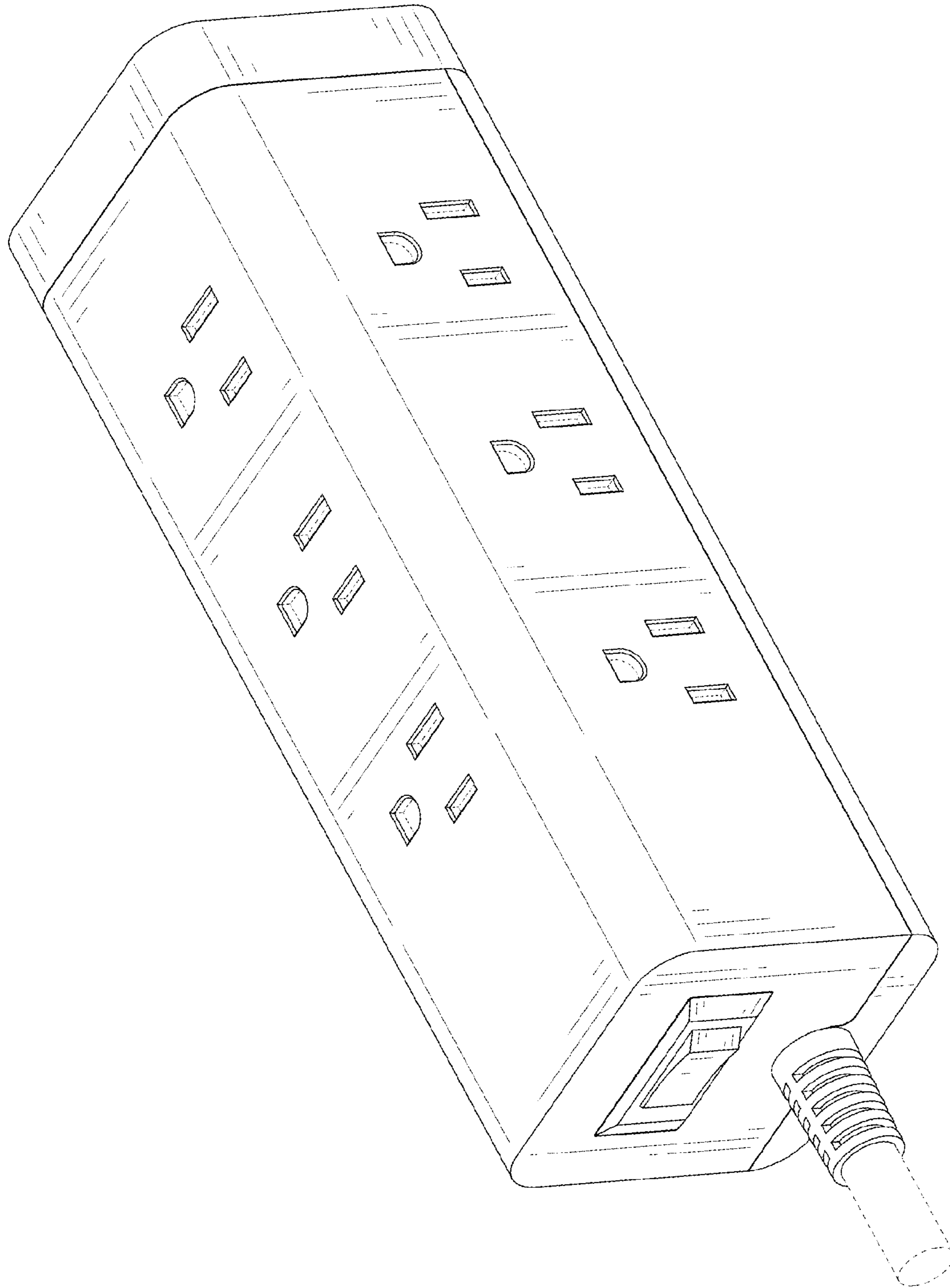


FIG. 9

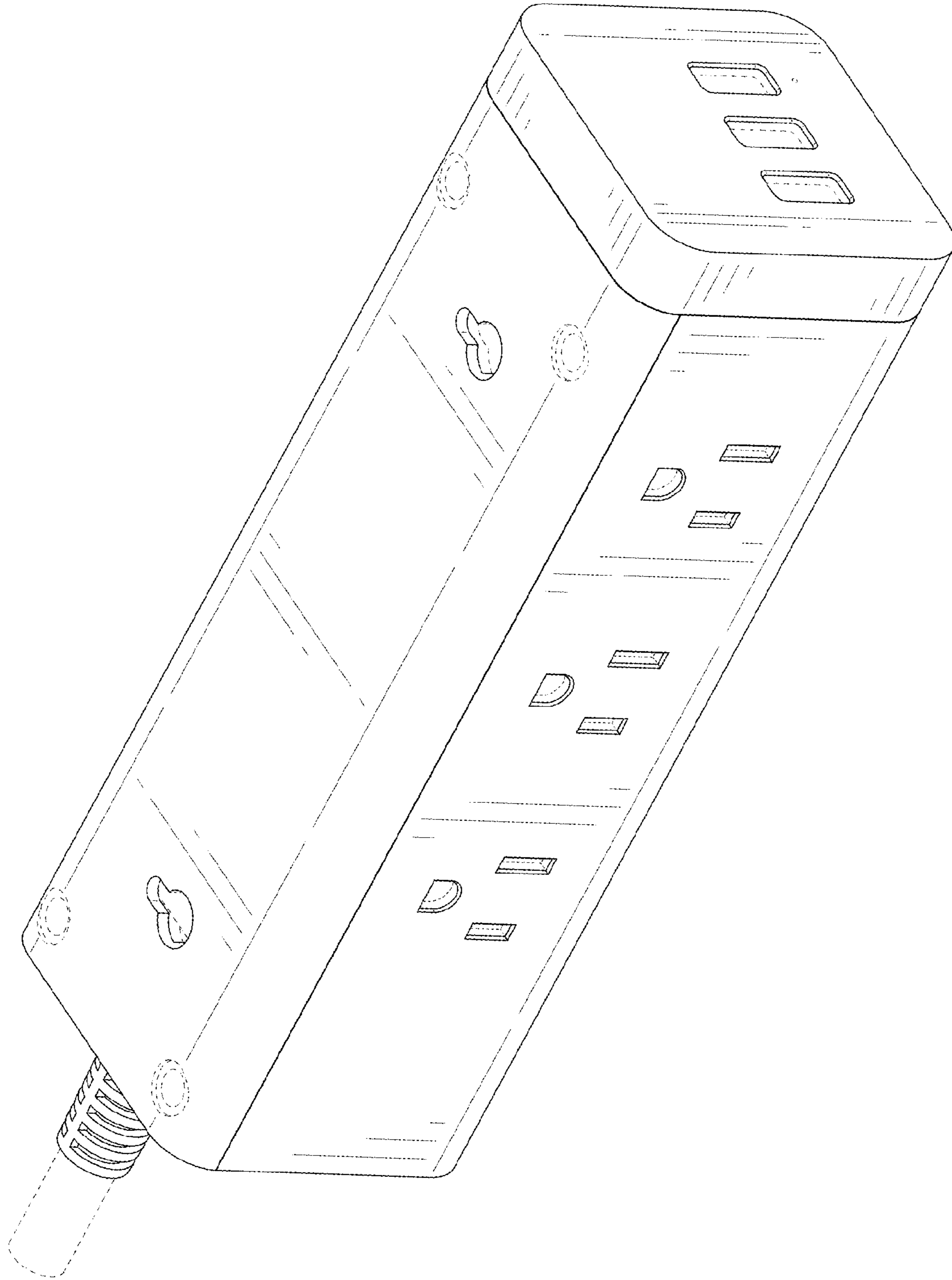


FIG. 10

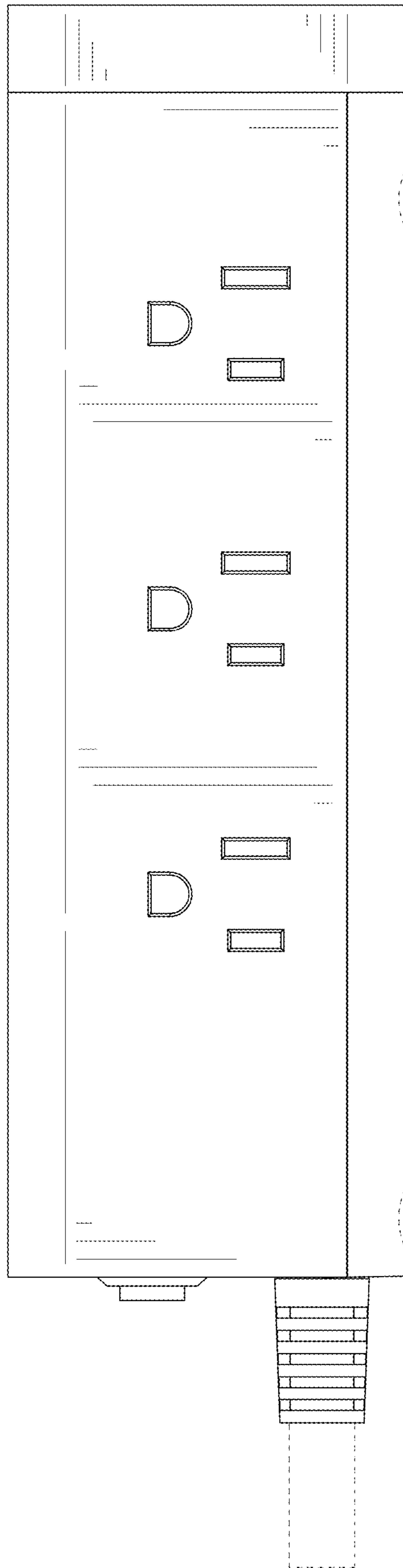


FIG. 11

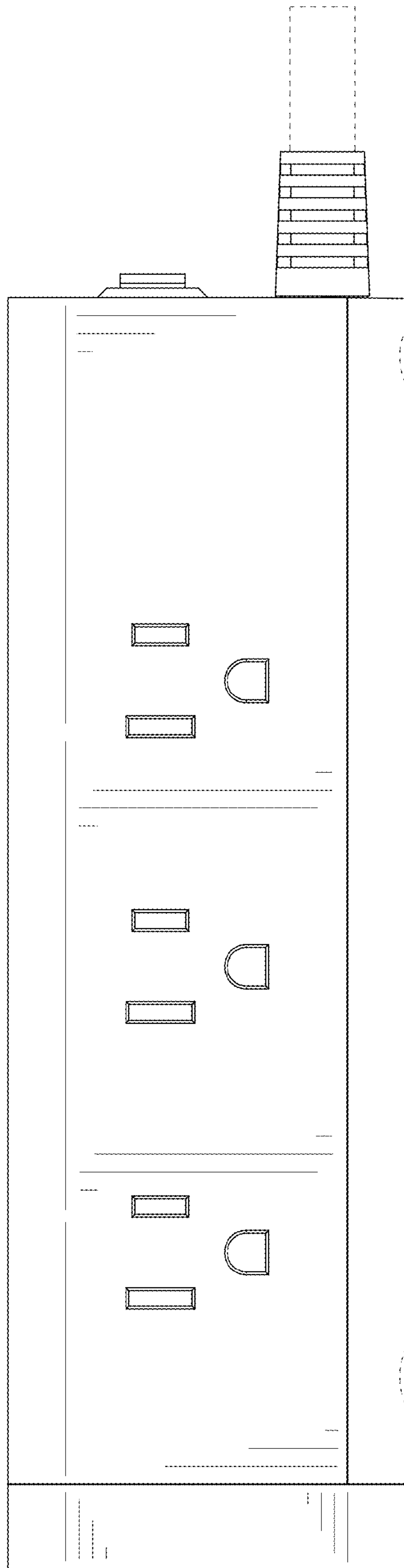


FIG. 12

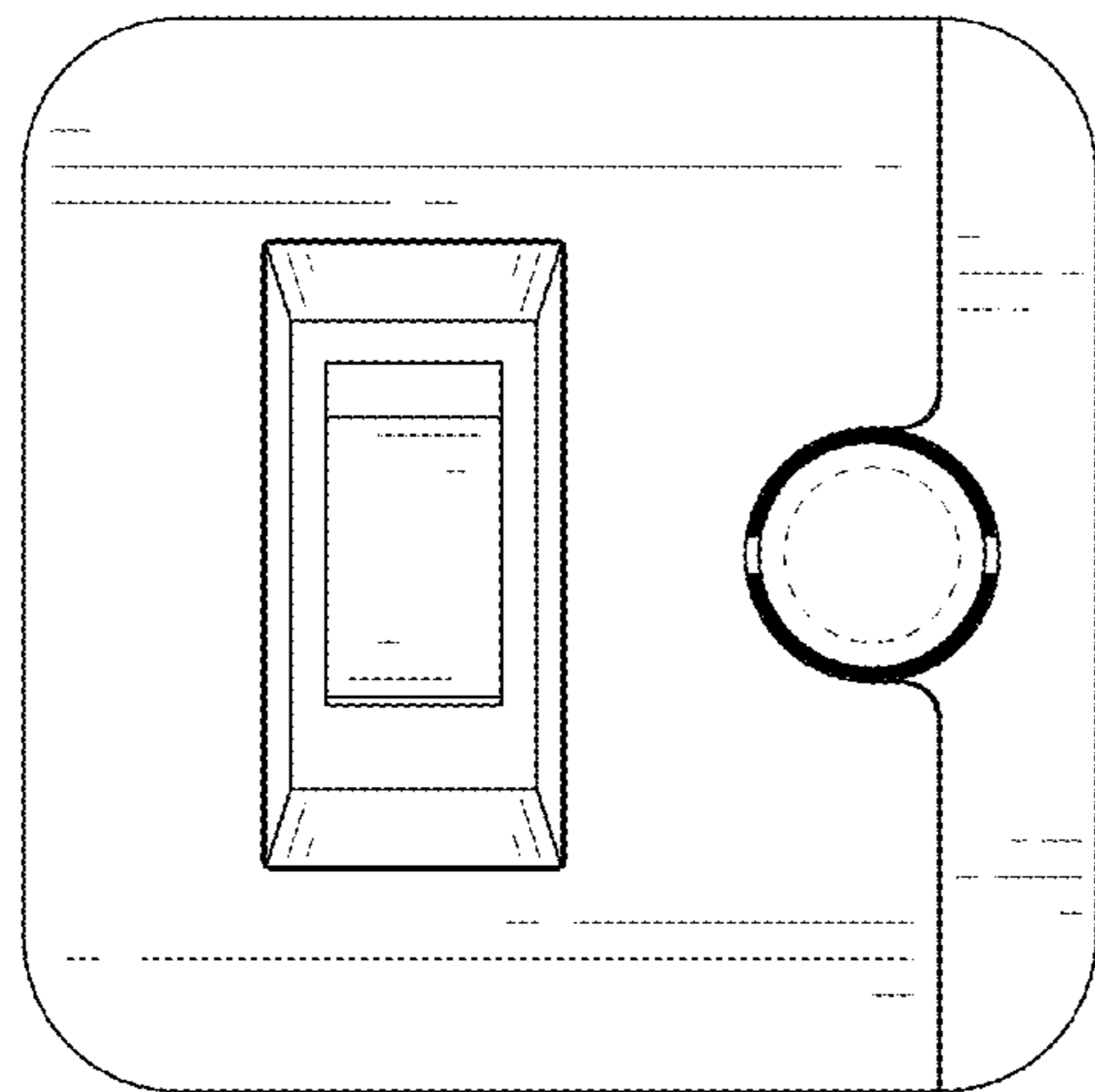


FIG. 13

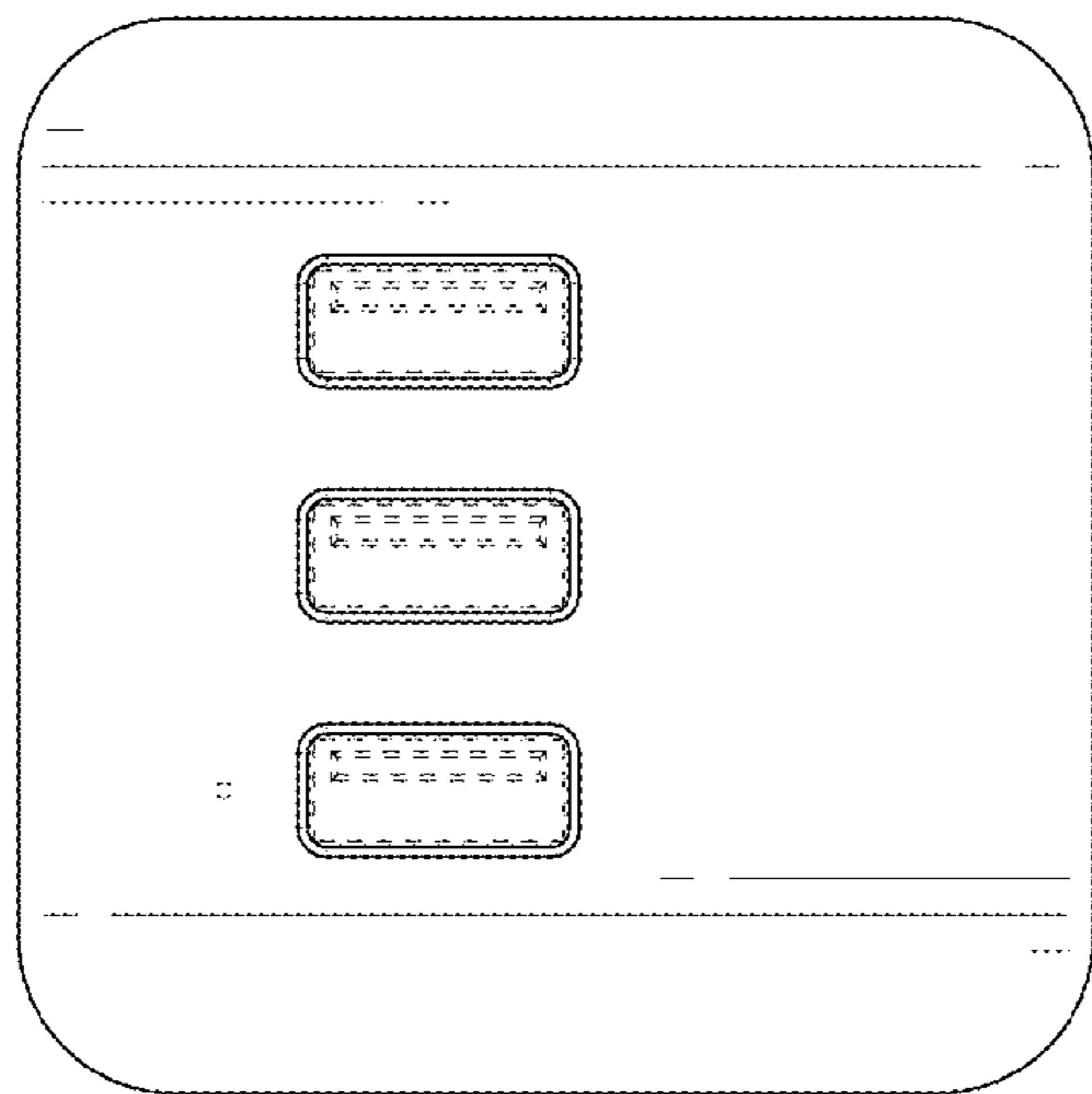


FIG. 14

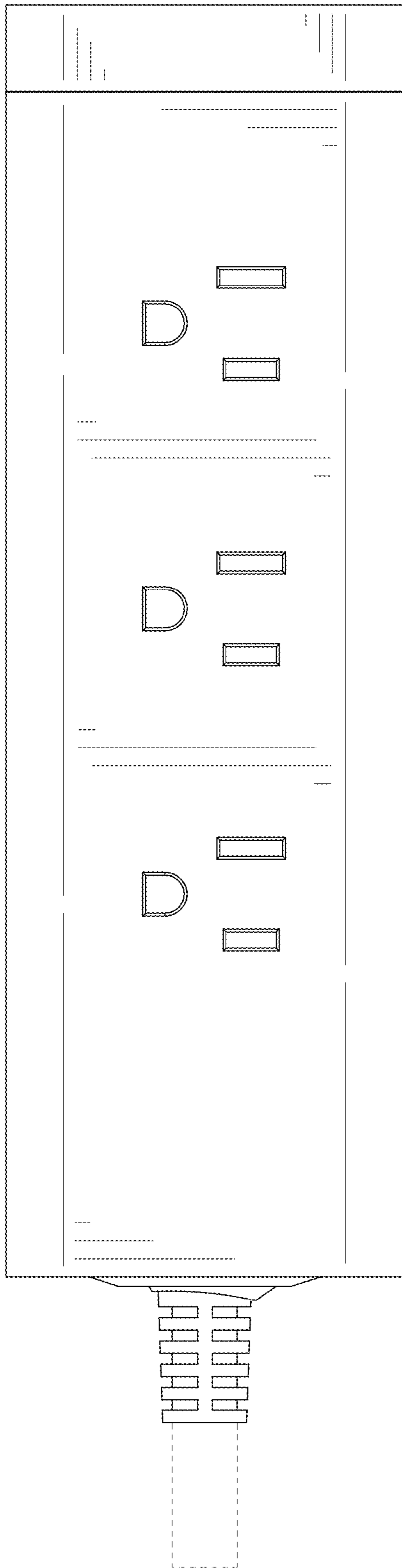


FIG. 15

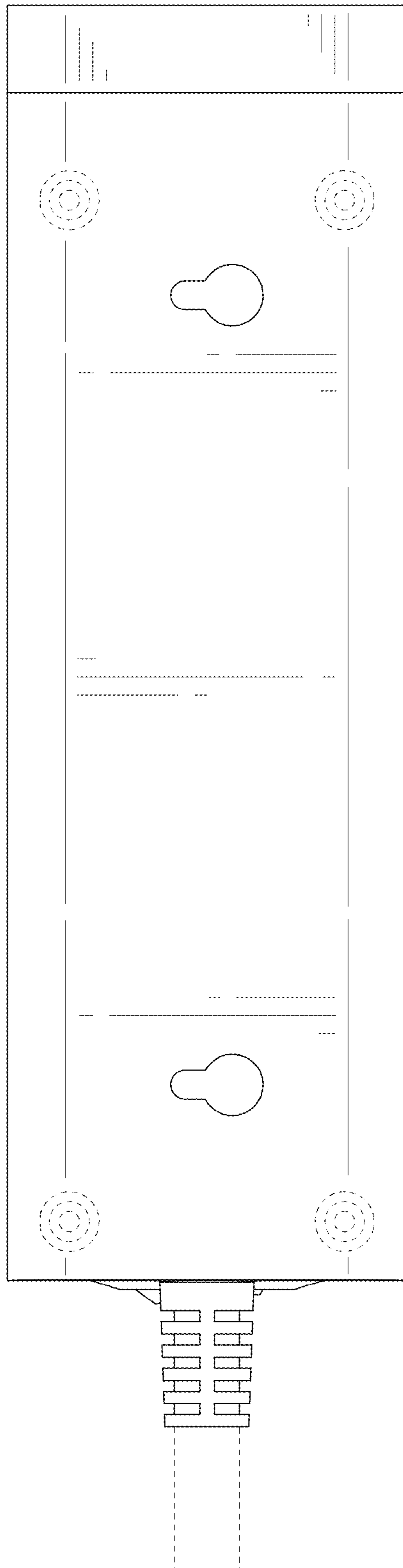


FIG. 16