



US00D914609S

(12) **United States Design Patent** (10) **Patent No.:** **US D914,609 S**
Mi (45) **Date of Patent:** **** Mar. 30, 2021**

(54) **PLUG**
(71) Applicant: **CHIZHOU FENGAN**
ELECTRONICS TECHNOLOGY
CO., LTD, Chizhou (CN)

(72) Inventor: **Xueyan Mi**, Chizhou (CN)

(73) Assignee: **CHIZHOU FENGAN**
ELECTRONICS TECHNOLOGY
CO., LTD, Chizhou (CN)

(**) Term: **15 Years**

(21) Appl. No.: **29/741,527**

(22) Filed: **Jul. 14, 2020**

(51) **LOC (13) Cl.** **13-03**

(52) **U.S. Cl.**
USPC **D13/137.4**

(58) **Field of Classification Search**
USPC ... D13/107, 133, 137.1-137.4, 138.1, 138.2,
D13/146, 147, 154

CPC H01R 13/02; H01R 13/025; H01R 13/52;
H01R 13/53; H01R 24/00; H01R 24/28;
H01R 24/54; H01R 24/542; H01R 24/68;
H01R 25/003; H01R 25/006; H01R
31/06; H01R 13/6335

See application file for complete search history.

(56) **References Cited**

U.S. PATENT DOCUMENTS

D517,985 S * 3/2006 Hirabayashi D13/110
7,052,309 B1 * 5/2006 Chen H01R 13/6335
439/484
7,255,568 B1 * 8/2007 Wu B60C 19/002
439/23
D553,092 S * 10/2007 Arai D13/147
D602,434 S * 10/2009 Mancari D13/139.1
D618,178 S * 6/2010 Andre D13/147
D635,515 S * 4/2011 Atwell D13/138.2

D638,359 S * 5/2011 Atwell D13/138.2
D664,095 S * 7/2012 Benedict D13/138.2
D667,792 S * 9/2012 Angel D13/133
D689,471 S * 9/2013 Hardi D14/223
8,641,443 B1 * 2/2014 Moussa H01R 13/6335
439/484
D734,264 S * 7/2015 Jordan D13/133
D737,207 S * 8/2015 Fletcher D13/138.2
D737,774 S * 9/2015 Zhu D13/138.1
D765,032 S * 8/2016 Zhu D13/138.1
D795,810 S * 8/2017 Kawamoto et al.
D796,487 S * 9/2017 Brunner H04R 1/1016
D14/223
D812,794 S * 3/2018 Pickens D26/43
D823,801 S * 7/2018 Ouyang D13/110

(Continued)

OTHER PUBLICATIONS

Electrical Adapter, available on Jan. 1, 2012, [online], [site visited Oct. 23, 2020], Available from Internet URL: <https://www.amazon.com/Camco-Dogbone-Electrical-Innovative-PowerGrip/dp/B00HRHWHNW>.*

Primary Examiner — Brandon M Rosati

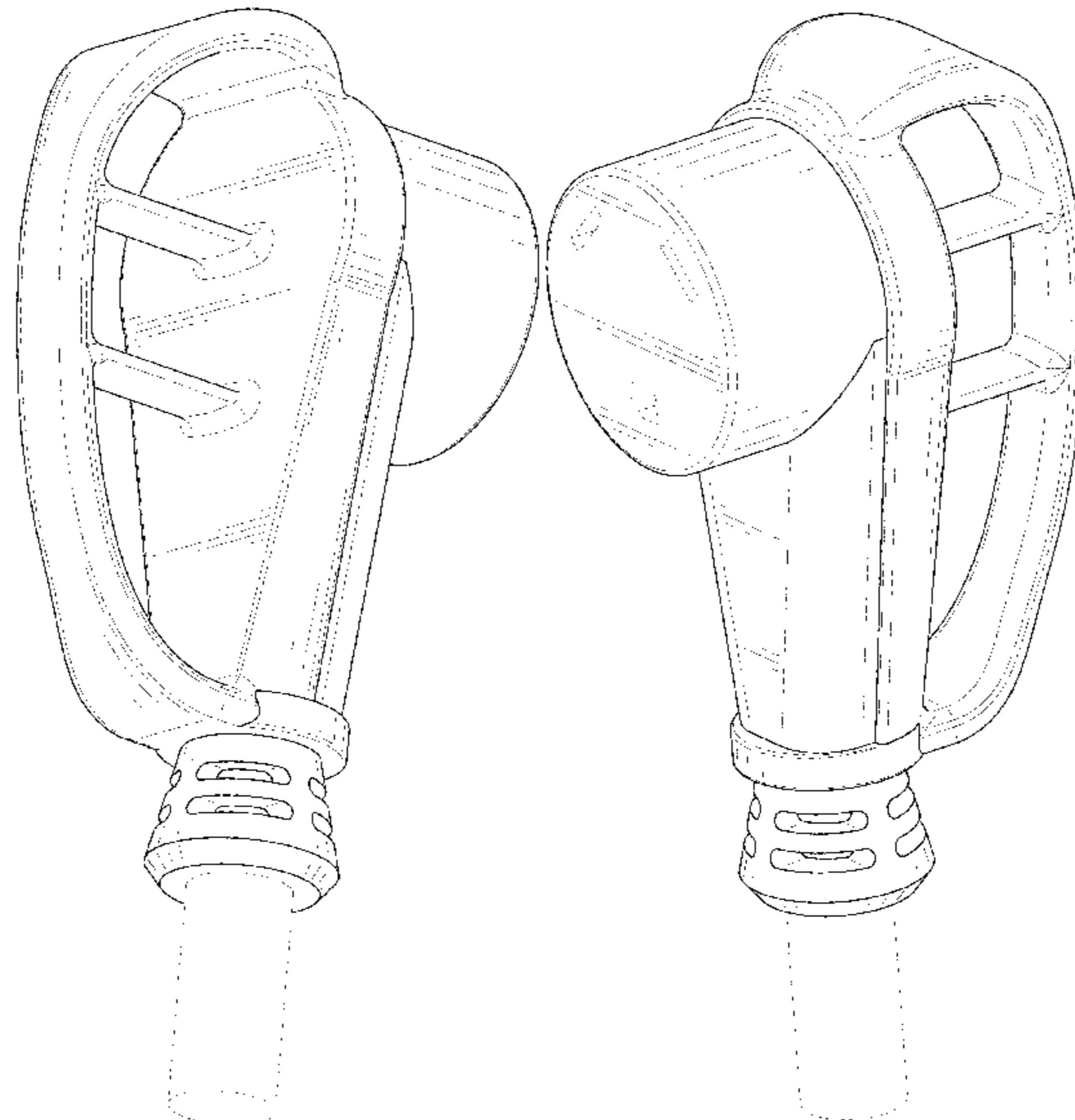
(57) **CLAIM**

The ornamental design for a plug, as shown and described.

DESCRIPTION

FIG. 1 is a perspective view of a plug showing my new design;
FIG. 2 is another perspective view thereof;
FIG. 3 is a front elevational view thereof;
FIG. 4 is a rear elevational view thereof;
FIG. 5 is a left side elevational view thereof;
FIG. 6 is a right side elevational view thereof;
FIG. 7 is a top plan view thereof; and,
FIG. 8 is a bottom plan view thereof.
The broken lines in the drawings depict portions of the plug that form no part of the claimed design.

1 Claim, 8 Drawing Sheets



(56)

References Cited

U.S. PATENT DOCUMENTS

D865,674 S * 11/2019 Schreiber D13/133
D867,294 S 11/2019 Kusano et al.

* cited by examiner

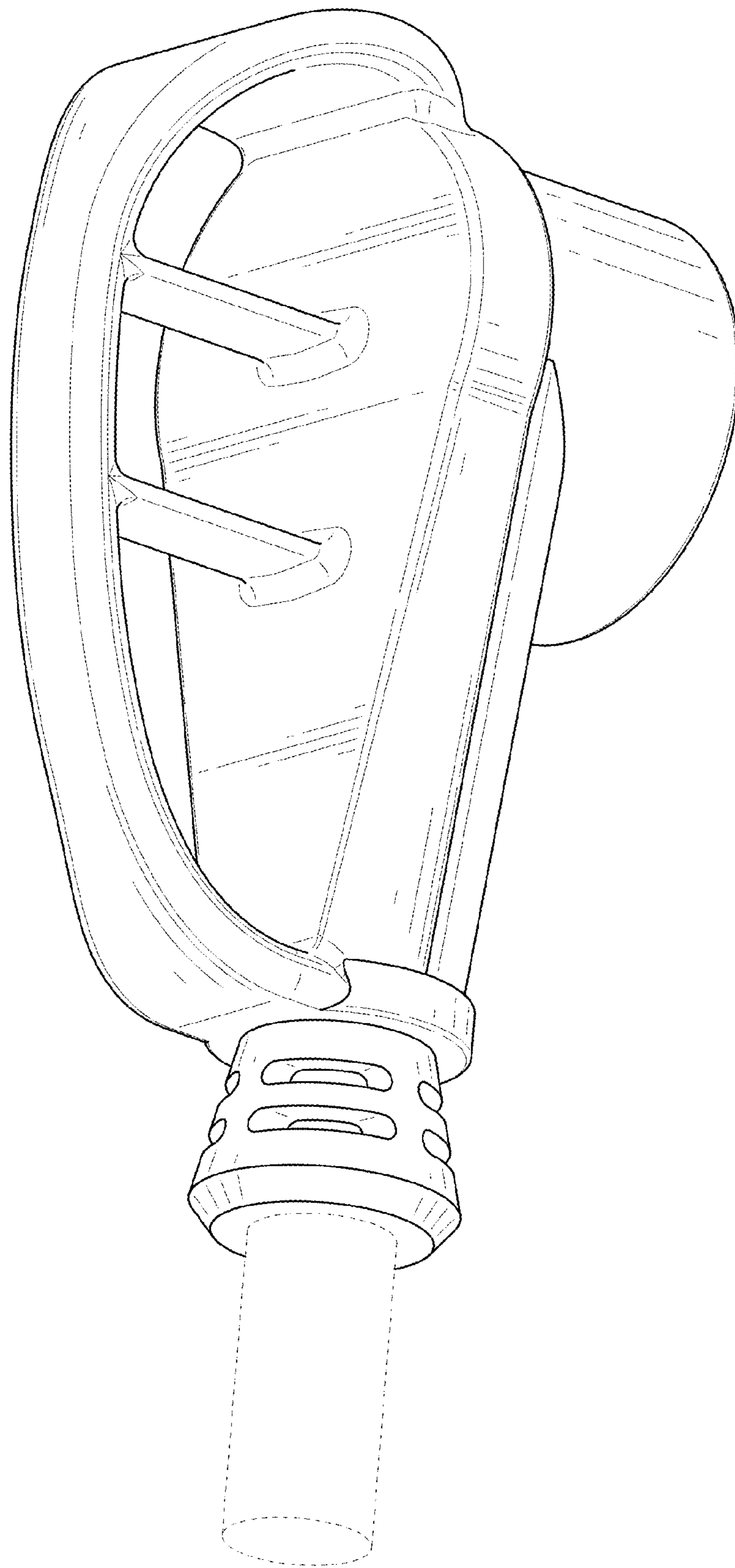


FIG. 1

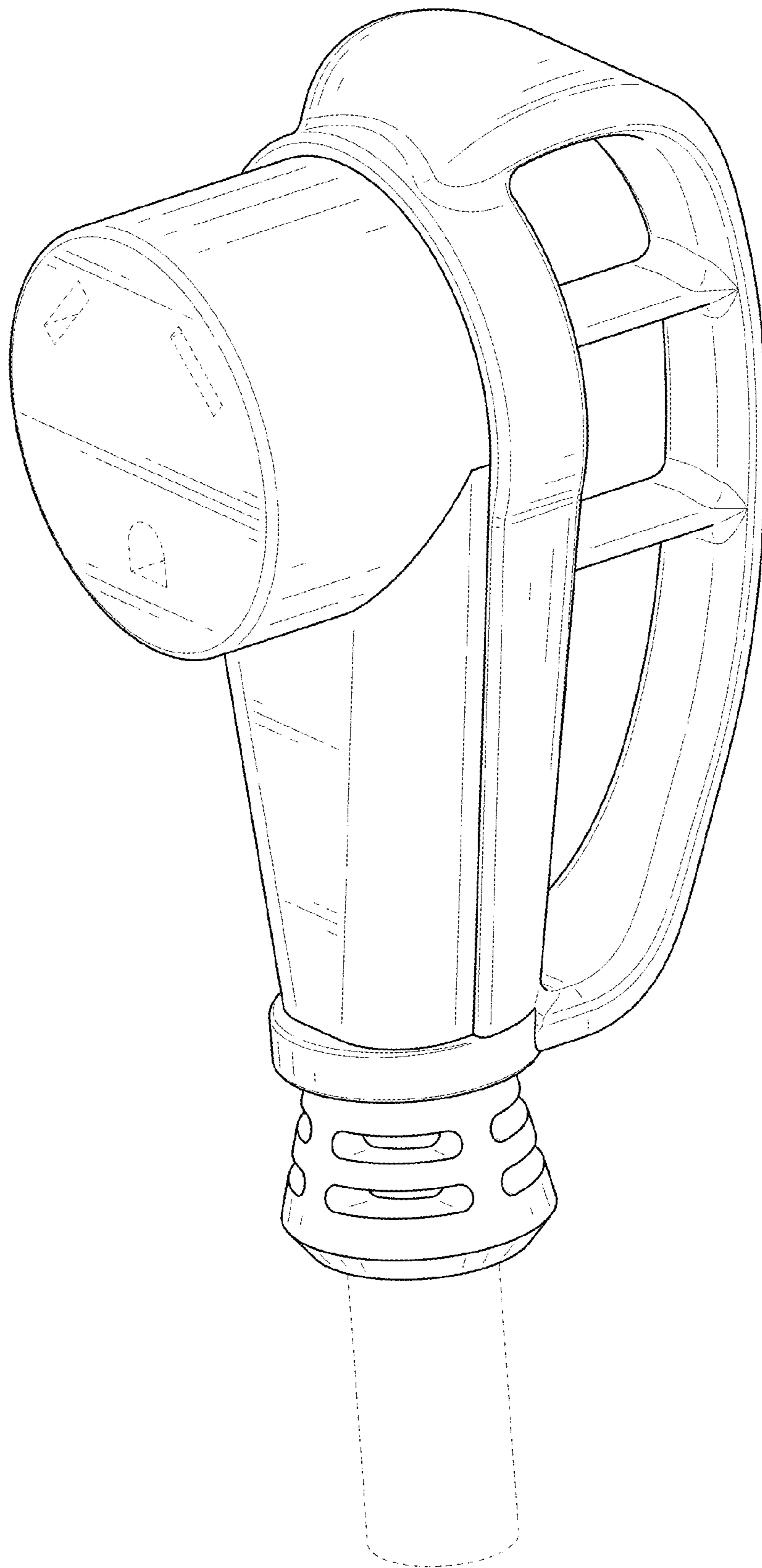


FIG. 2

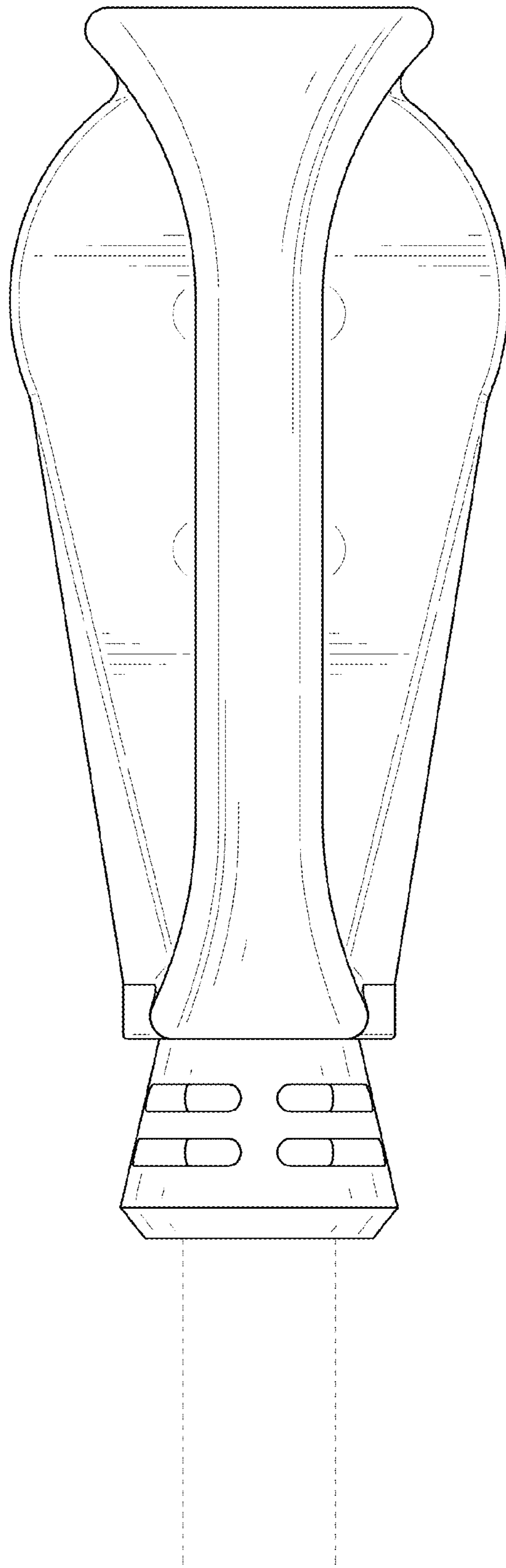


FIG. 3

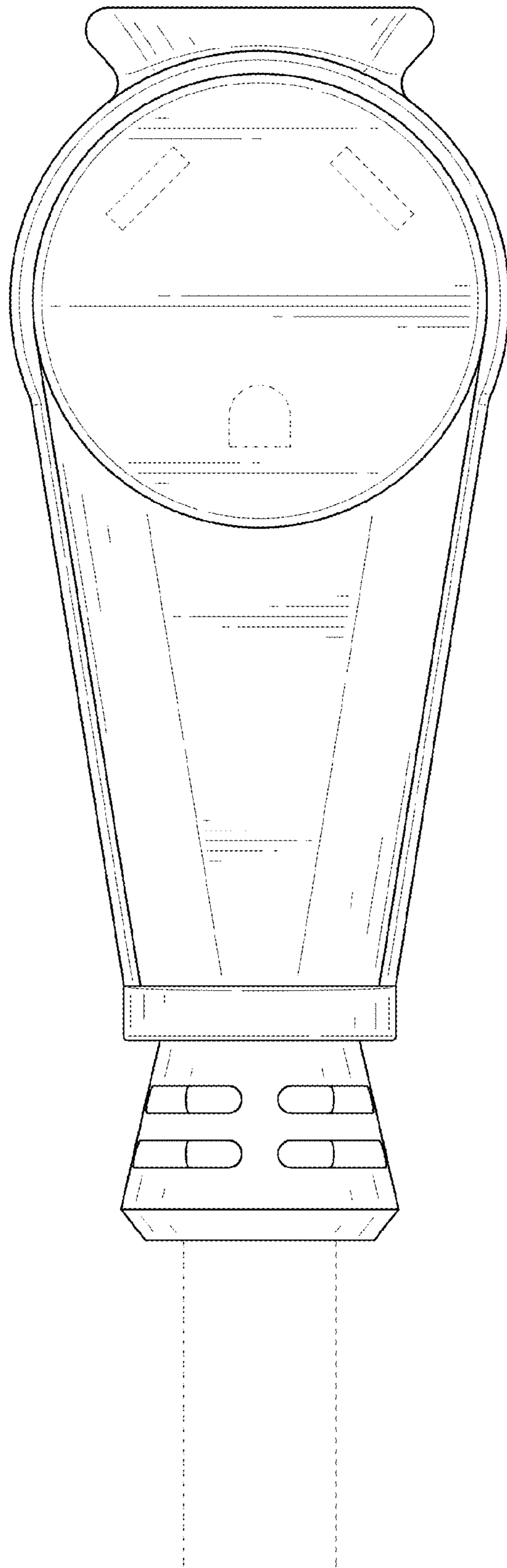


FIG. 4

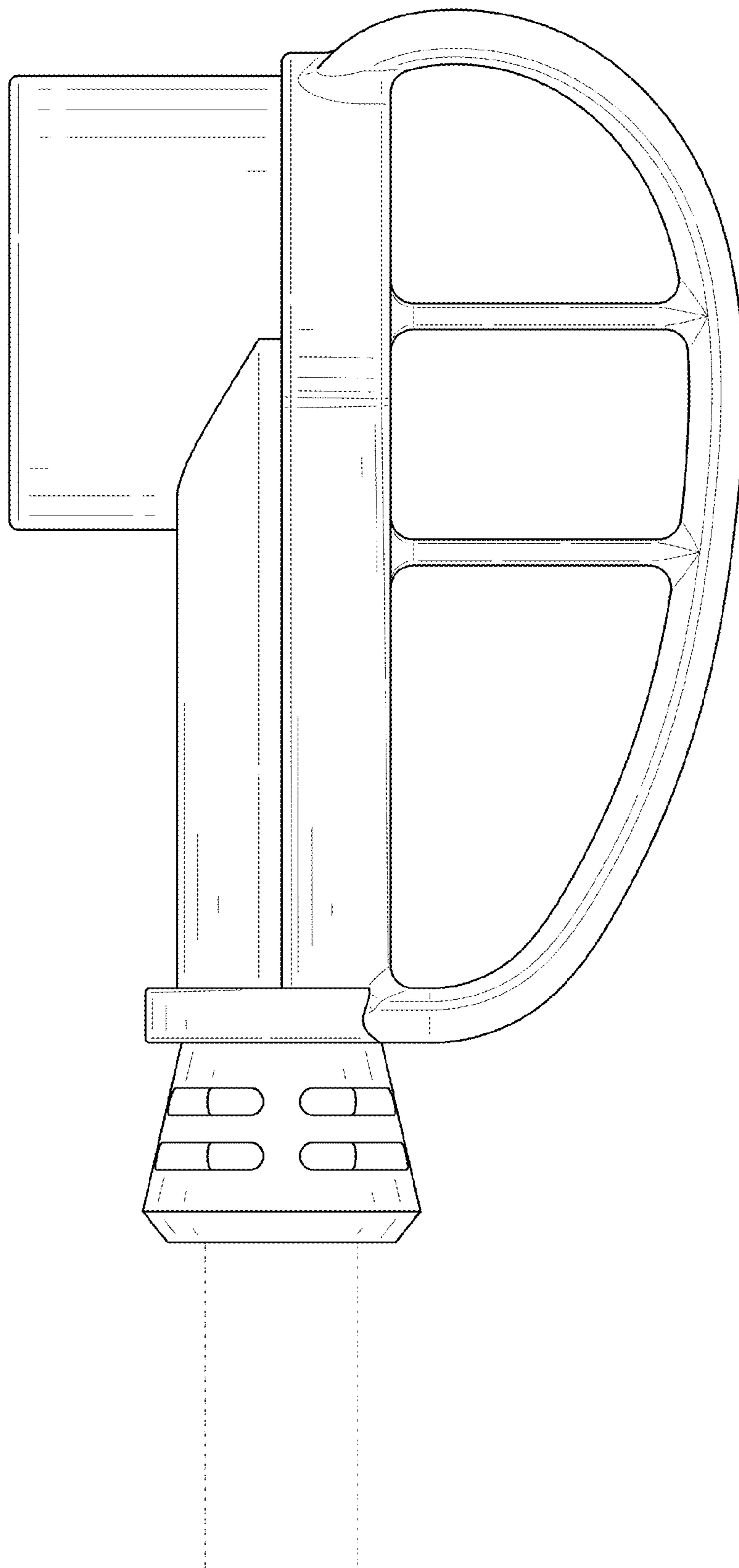


FIG. 5

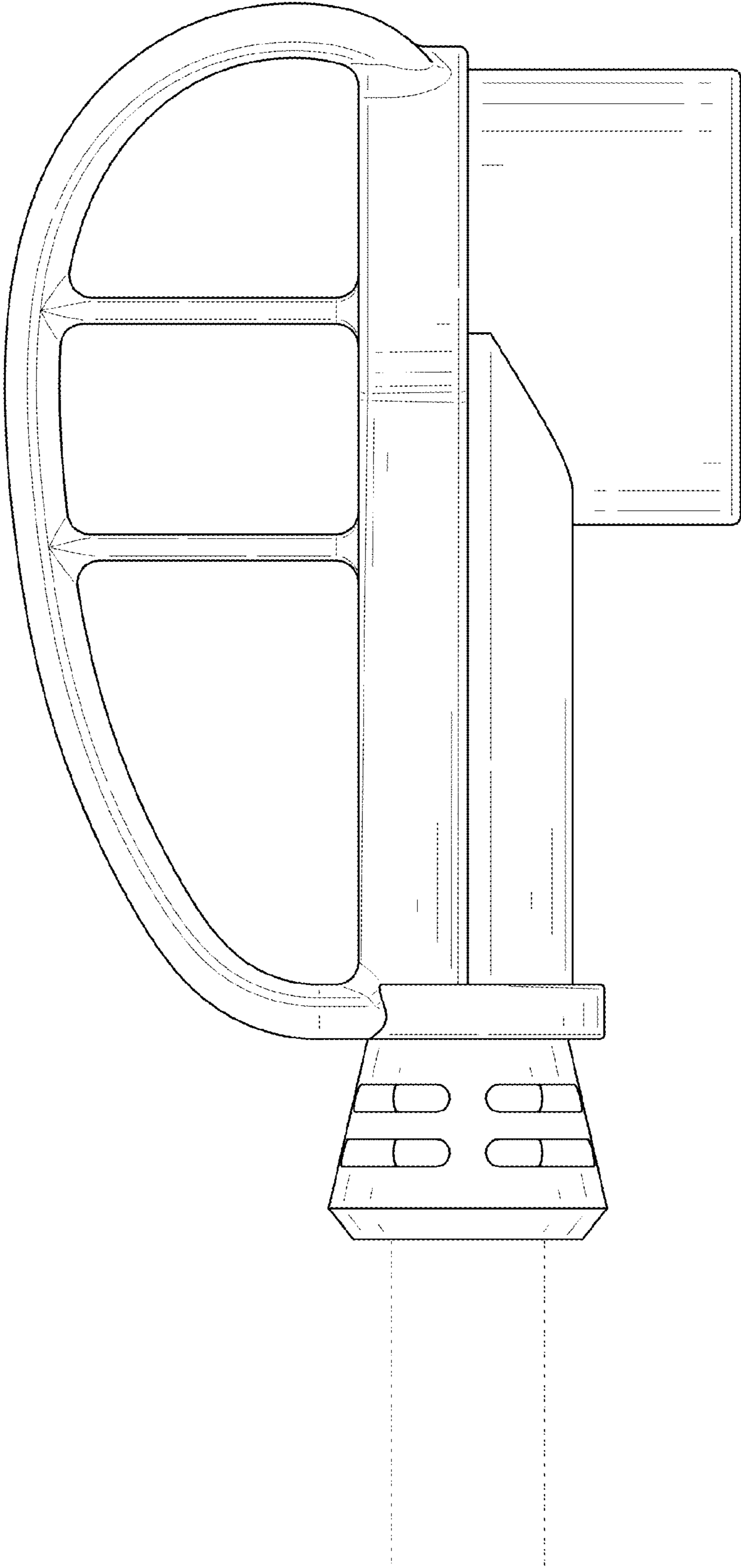


FIG. 6

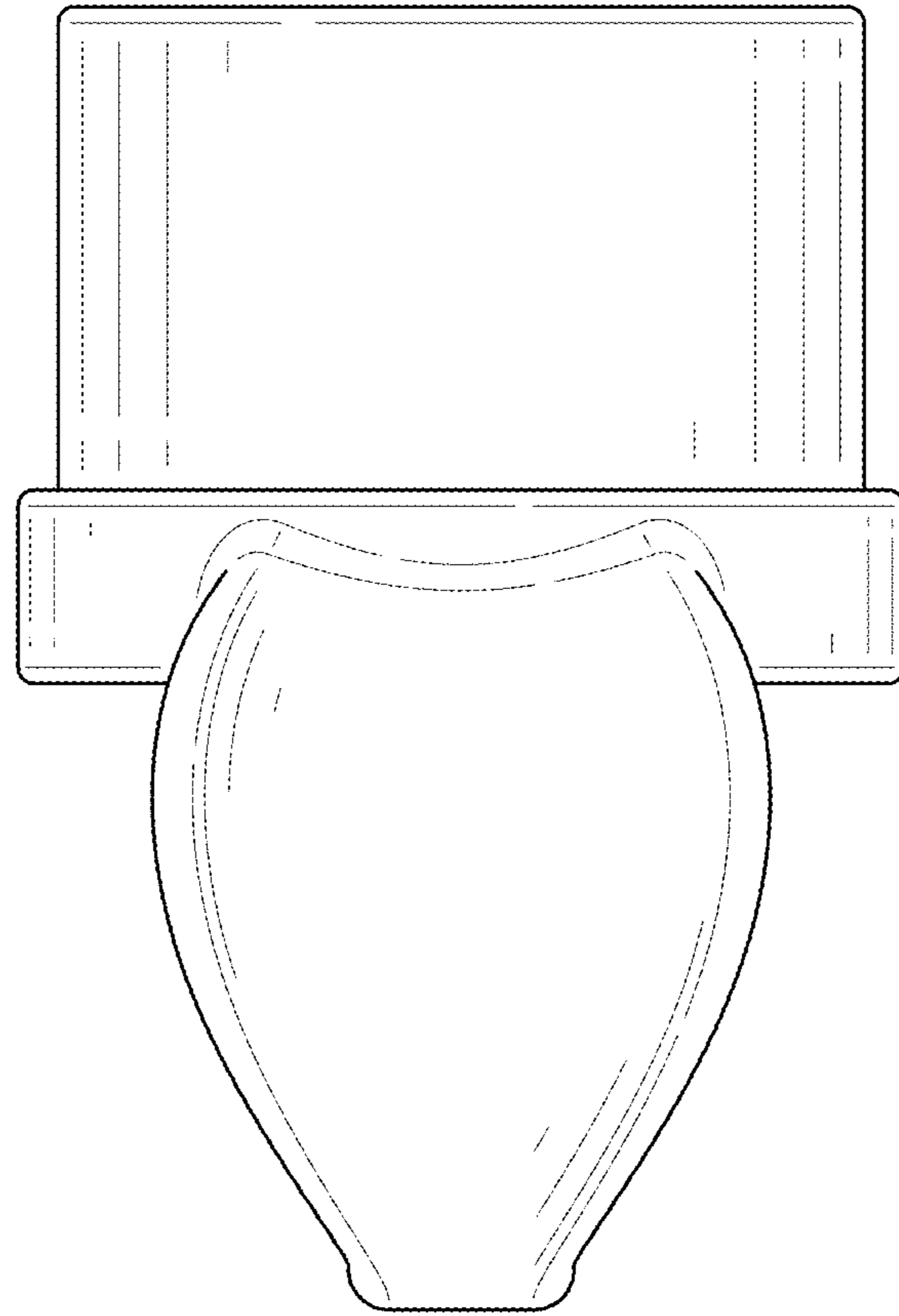


FIG. 7

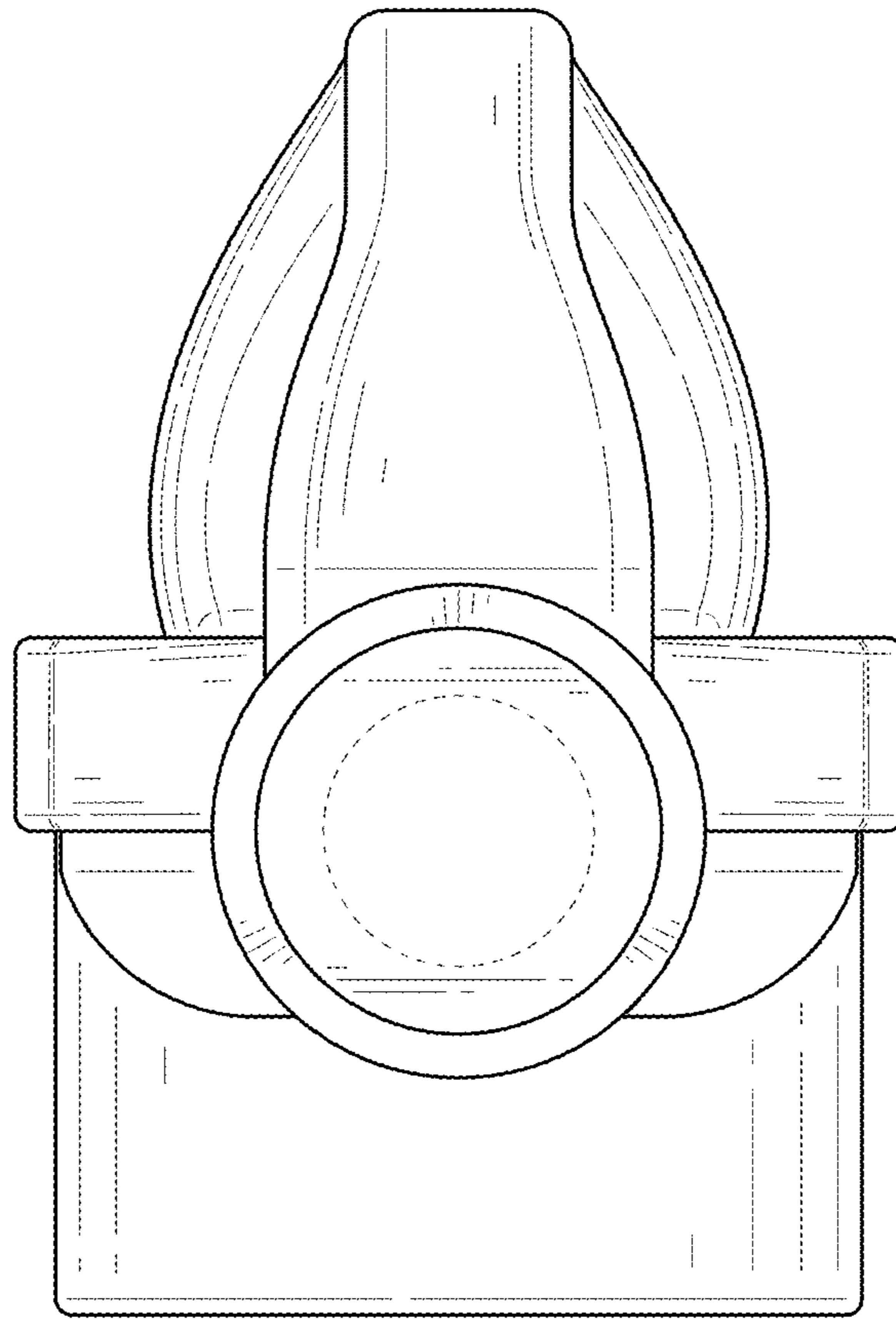


FIG. 8