



US00D914607S

(12) **United States Design Patent**
Hofmann

(10) **Patent No.:** **US D914,607 S**

(45) **Date of Patent:** **** Mar. 30, 2021**

(54) **ELECTRICAL CONNECTOR**

(71) Applicant: **Neutrik AG**, Schaan (LI)

(72) Inventor: **Thomas Hofmann**, Buchs (CH)

(73) Assignee: **Neutrik AG**, Schaan (LI)

(**) Term: **15 Years**

(21) Appl. No.: **35/507,690**

(22) Filed: **Jul. 12, 2019**

(80) **Hague Agreement Data**

Int. Filing Date: **Jul. 12, 2019**

Int. Reg. No.: **DM/203687**

Int. Reg. Date: **Jul. 12, 2019**

Int. Reg. Pub. Date: **Nov. 8, 2019**

(51) **LOC (13) Cl.** **13-02**

(52) **U.S. Cl.**
USPC **D13/133**

(58) **Field of Classification Search**
USPC D13/133, 146, 147, 154, 156, 184, 199;
D14/433
CPC H01R 13/5213; H01R 13/5221; H01R
13/5816; H01R 13/64; H01R 13/6456;
H01R 24/38
See application file for complete search history.

(56) **References Cited**

U.S. PATENT DOCUMENTS

- D360,617 S * 7/1995 Grande D13/133
- D374,212 S * 10/1996 Fukao D13/146
- 6,865,280 B2 * 3/2005 Lin H01R 13/111
381/361
- D528,983 S * 9/2006 Solida D13/133
- D602,433 S * 10/2009 Katou D13/120
- 7,699,640 B2 * 4/2010 Brekosky H01R 13/745
439/350
- D679,653 S * 4/2013 Dobler D13/133

- D698,729 S * 2/2014 Fukushima D13/146
- D776,616 S * 1/2017 Katagiyama D13/133
- D777,106 S * 1/2017 Katagiyama D13/133
- D777,671 S * 1/2017 Ishiguro D13/133
- D783,535 S * 4/2017 Dobler D13/133
- D789,298 S * 6/2017 Dobler D13/133
- D789,889 S * 6/2017 Katagiyama D13/133
- D790,470 S * 6/2017 Katagiyama D13/133
- D817,883 S * 5/2018 Ishiguro D13/133
- D836,562 S * 12/2018 Karlsson D13/155
- D840,934 S * 2/2019 Marchesi D13/120
- D841,590 S * 2/2019 Otsuka D13/134
- D852,754 S * 7/2019 Dobler D13/154
- D864,115 S * 10/2019 Ishiguro D13/133

(Continued)

Primary Examiner — Nathaniel D. Buckner

(74) *Attorney, Agent, or Firm* — Collard & Roe, P.C.

(57) **CLAIM**

The ornamental design for an electrical connector, as shown and described.

DESCRIPTION

1.-2. Electrical connector

1.1 : Perspective

1.2 : Left

1.3 : Right

1.4 : Front

1.5 : Back

1.6 : Top

1.7 : Bottom

2.1 : Perspective

2.2 : Left

2.3 : Right

2.4 : Front

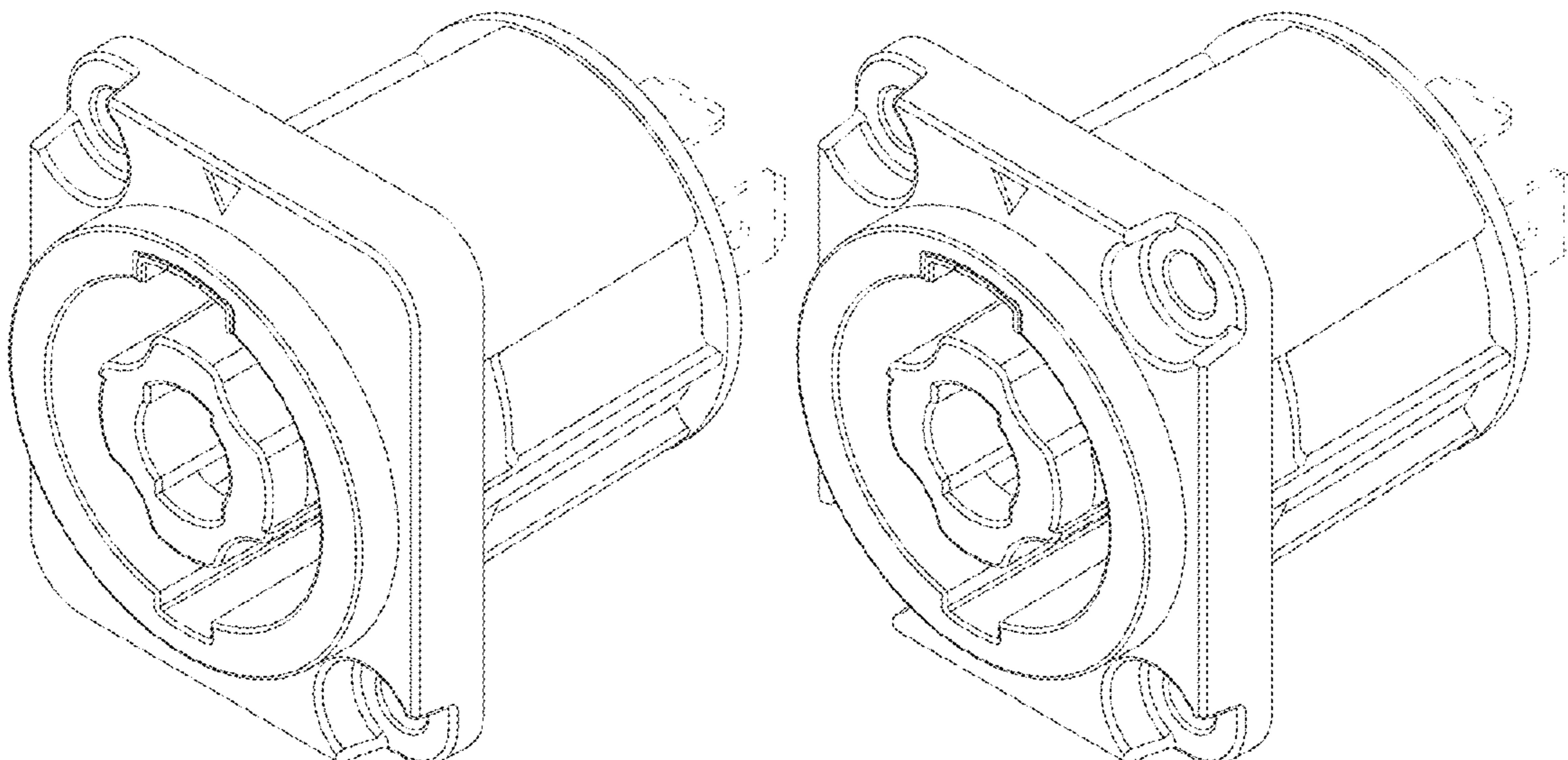
2.5 : Back

2.6 : Top

2.7 : Bottom

The features shown in broken lines depict portions of the electrical connector that form no part of the claimed design.

1 Claim, 14 Drawing Sheets



(56)

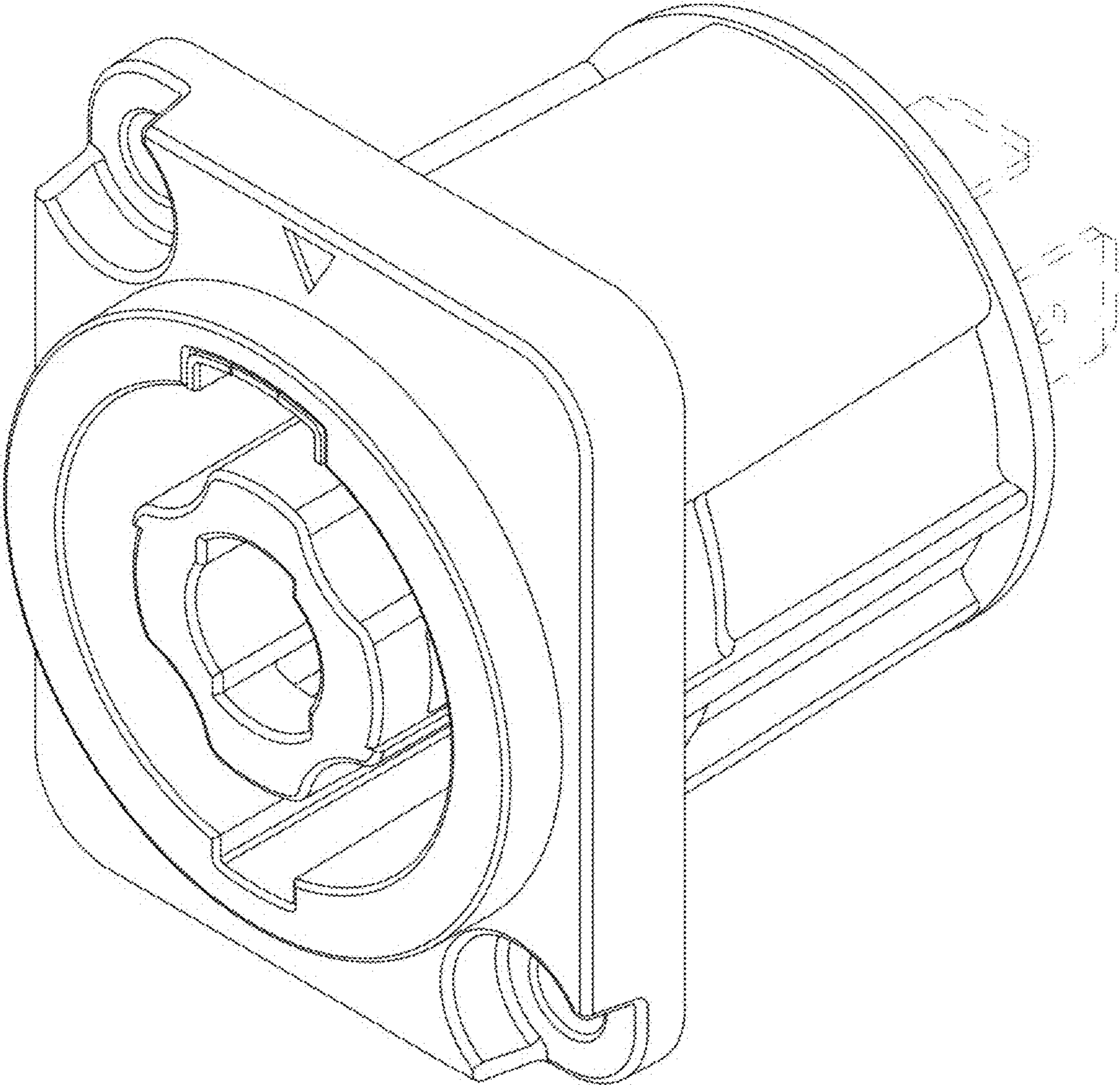
References Cited

U.S. PATENT DOCUMENTS

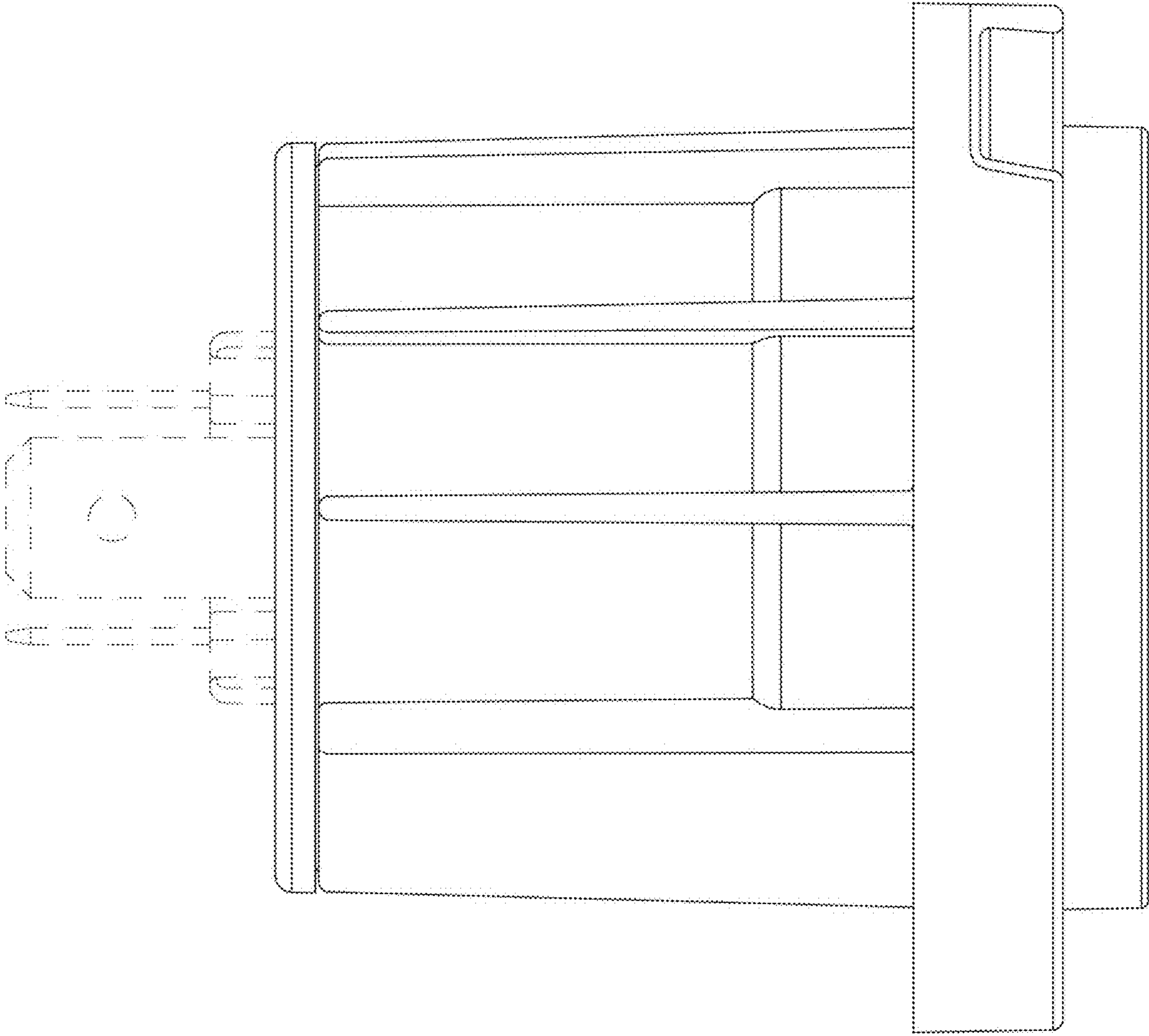
2006/0040566 A1* 2/2006 Thomas F21S 45/40
439/699.2
2009/0142952 A1* 6/2009 Akasaka H01R 13/622
439/314
2009/0305542 A1* 12/2009 Masuzaki G02B 6/3825
439/335
2014/0065872 A1* 3/2014 Yamada H01R 13/625
439/357
2019/0004261 A1* 1/2019 Koch H01R 13/502

* cited by examiner

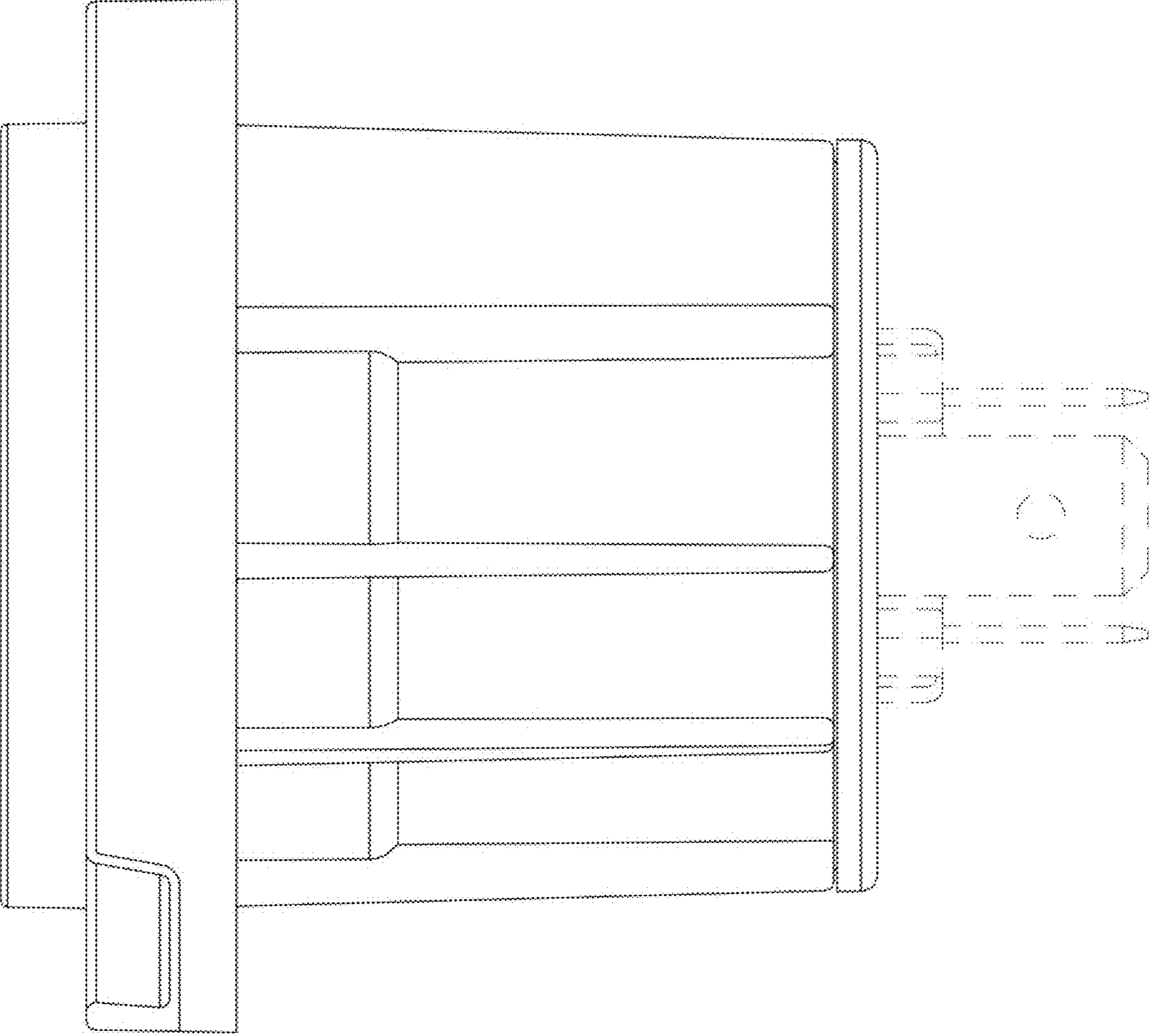
1.1



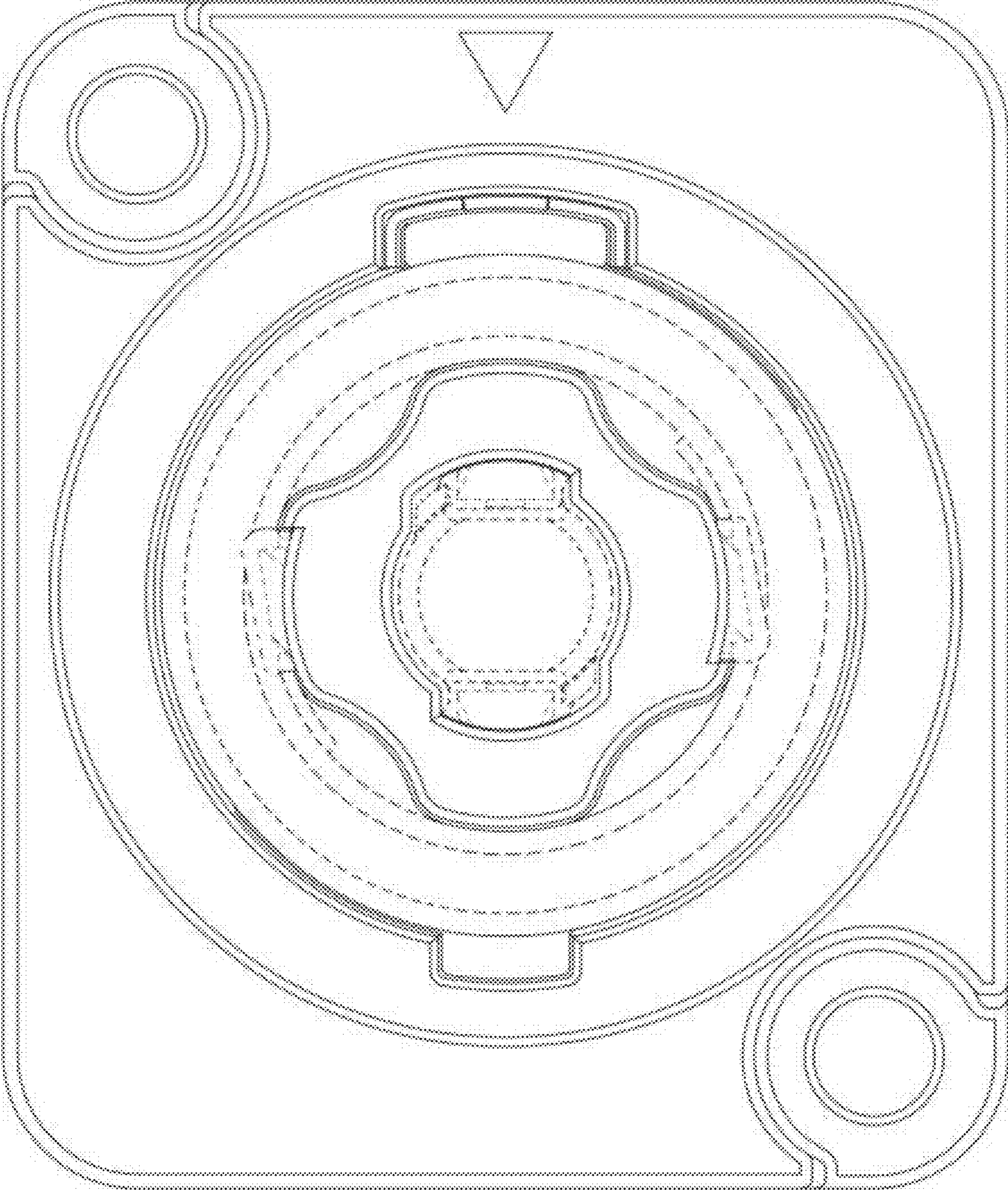
1.2



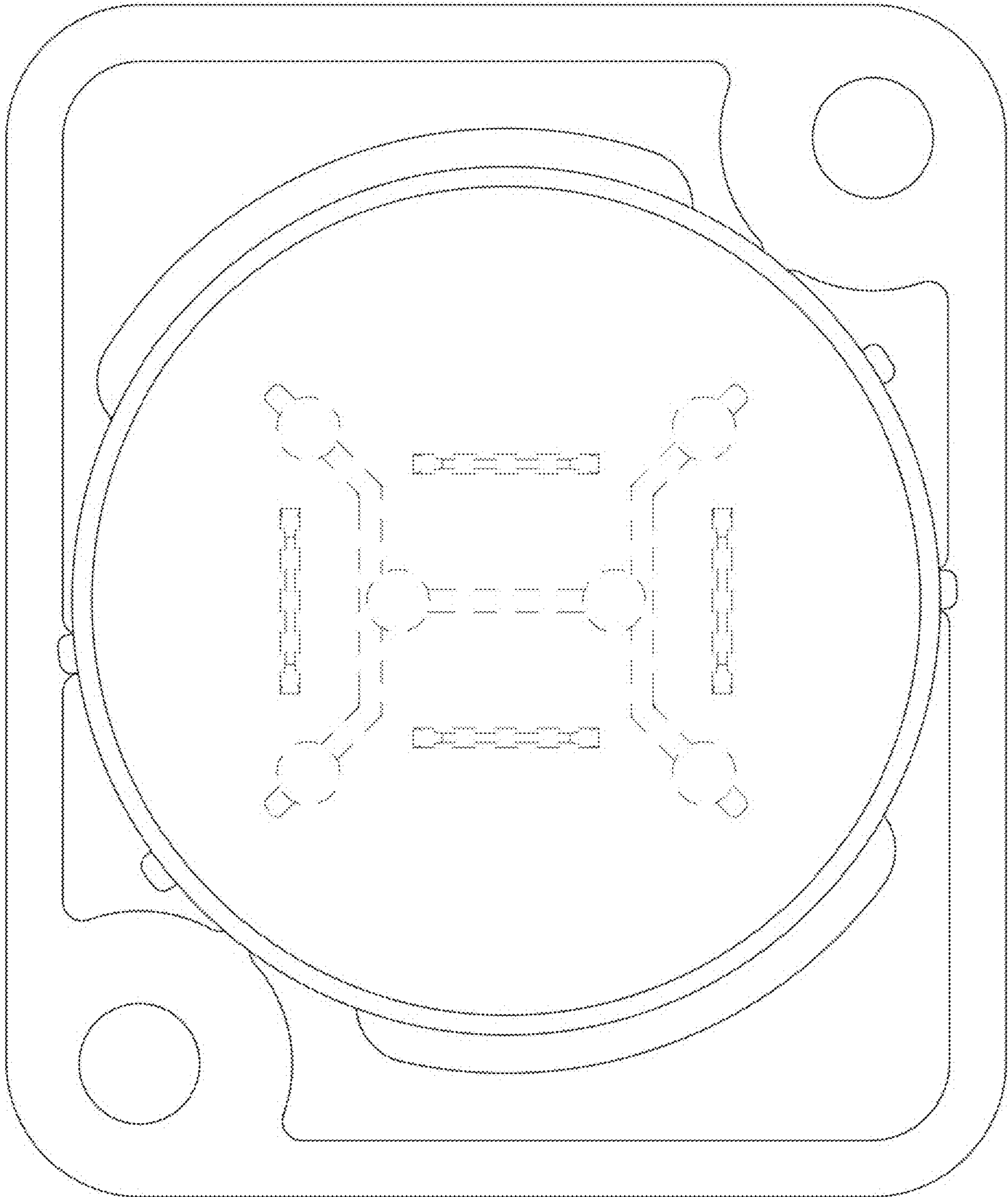
1.3



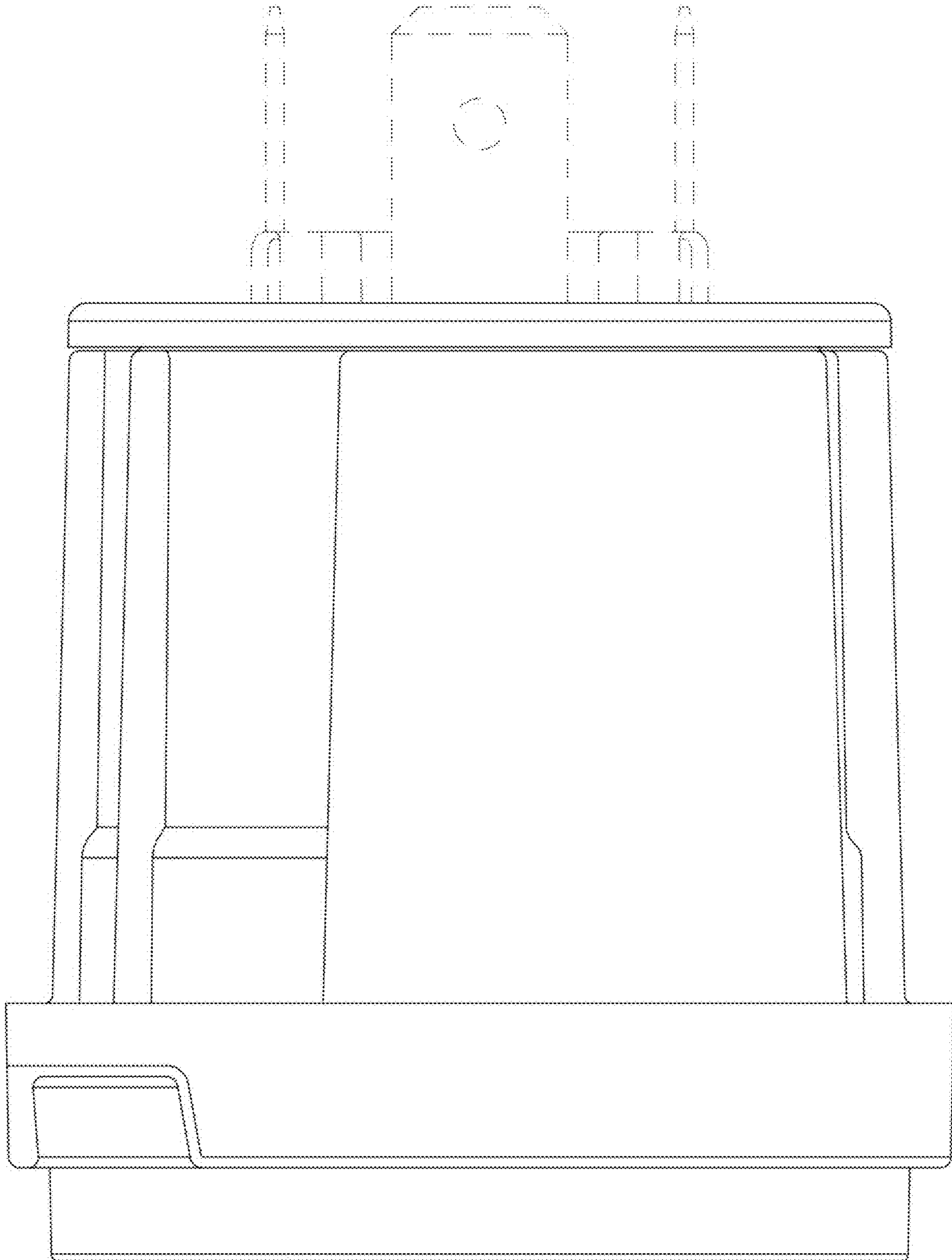
1.4



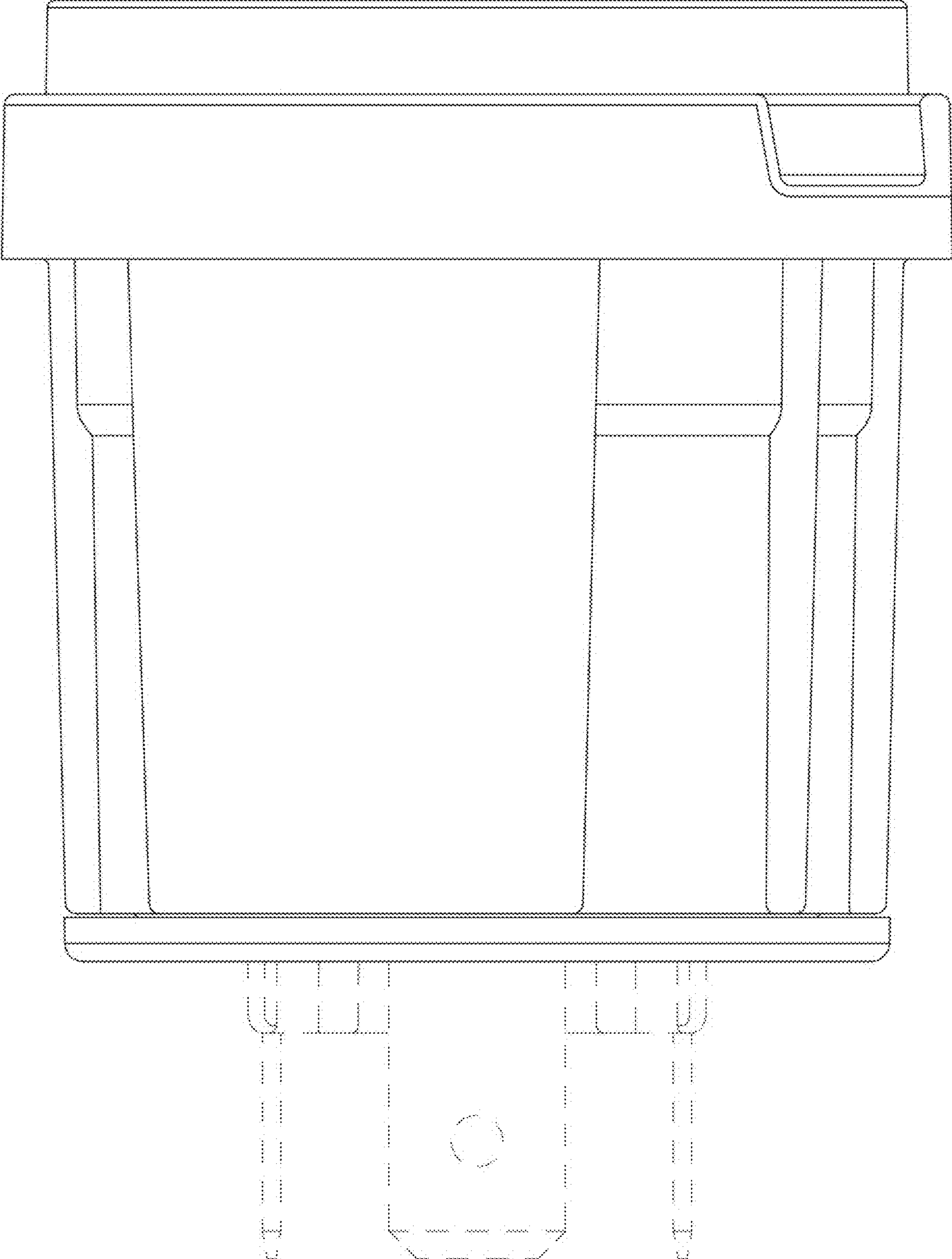
1.5



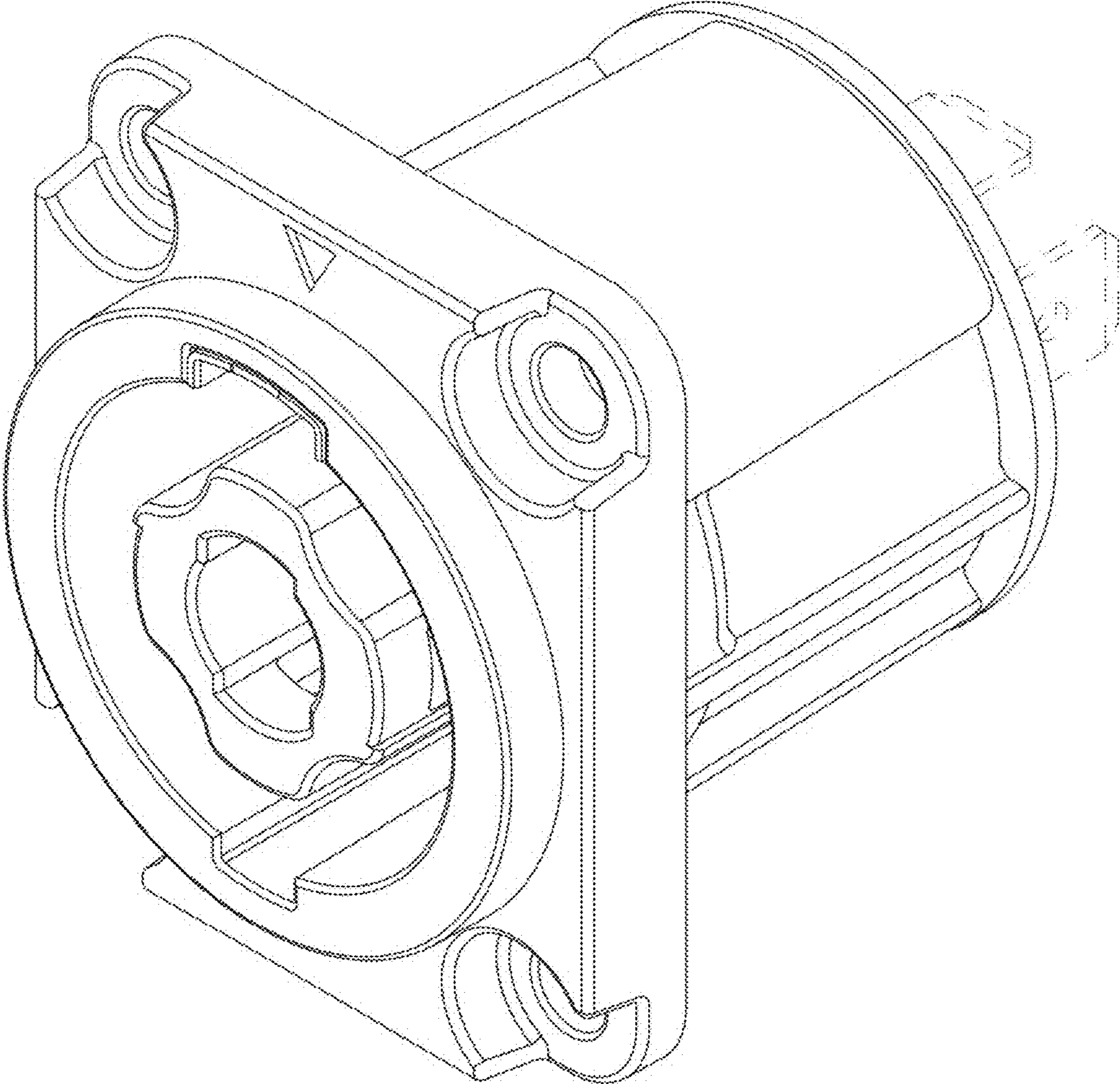
1.6



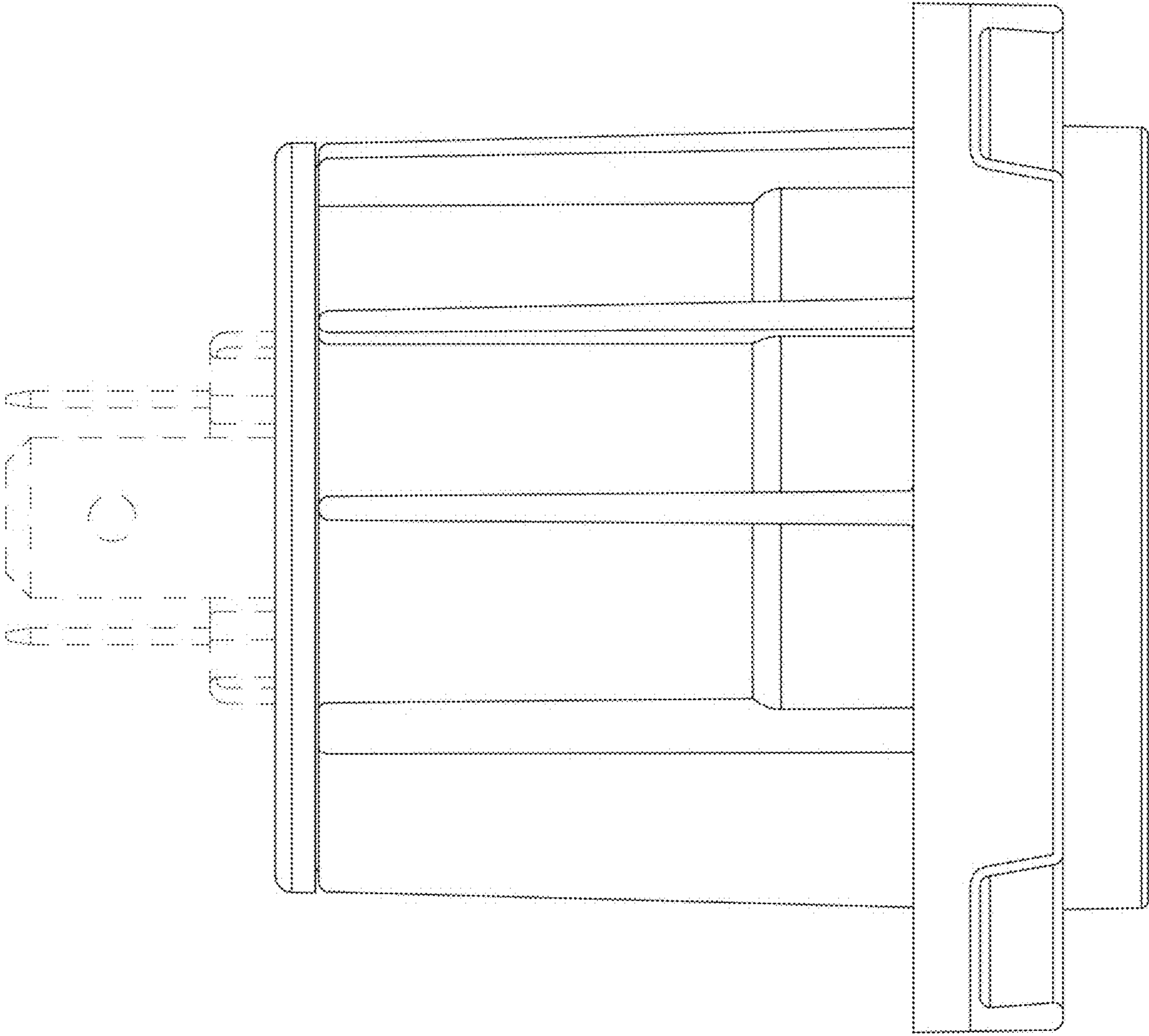
1.7



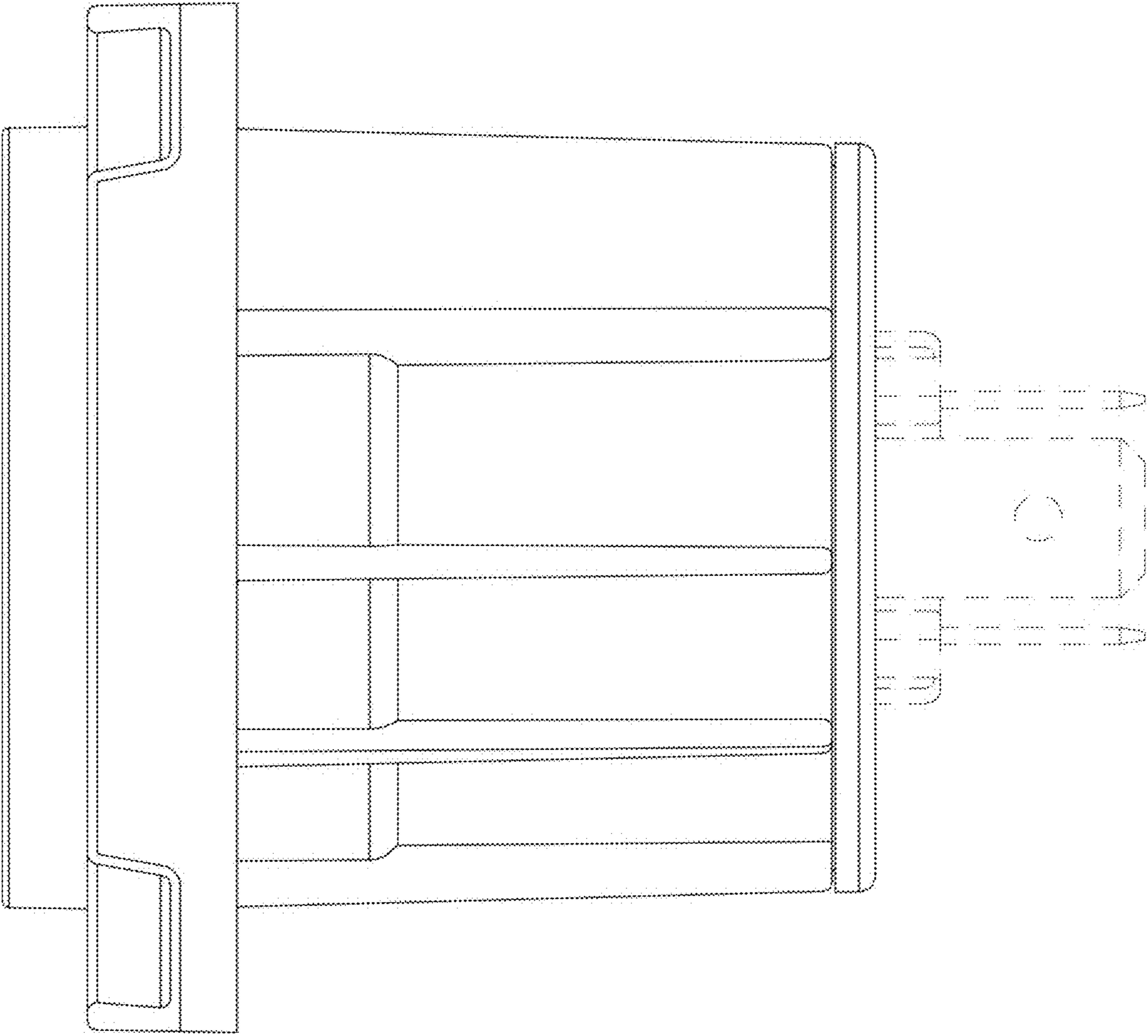
2.1



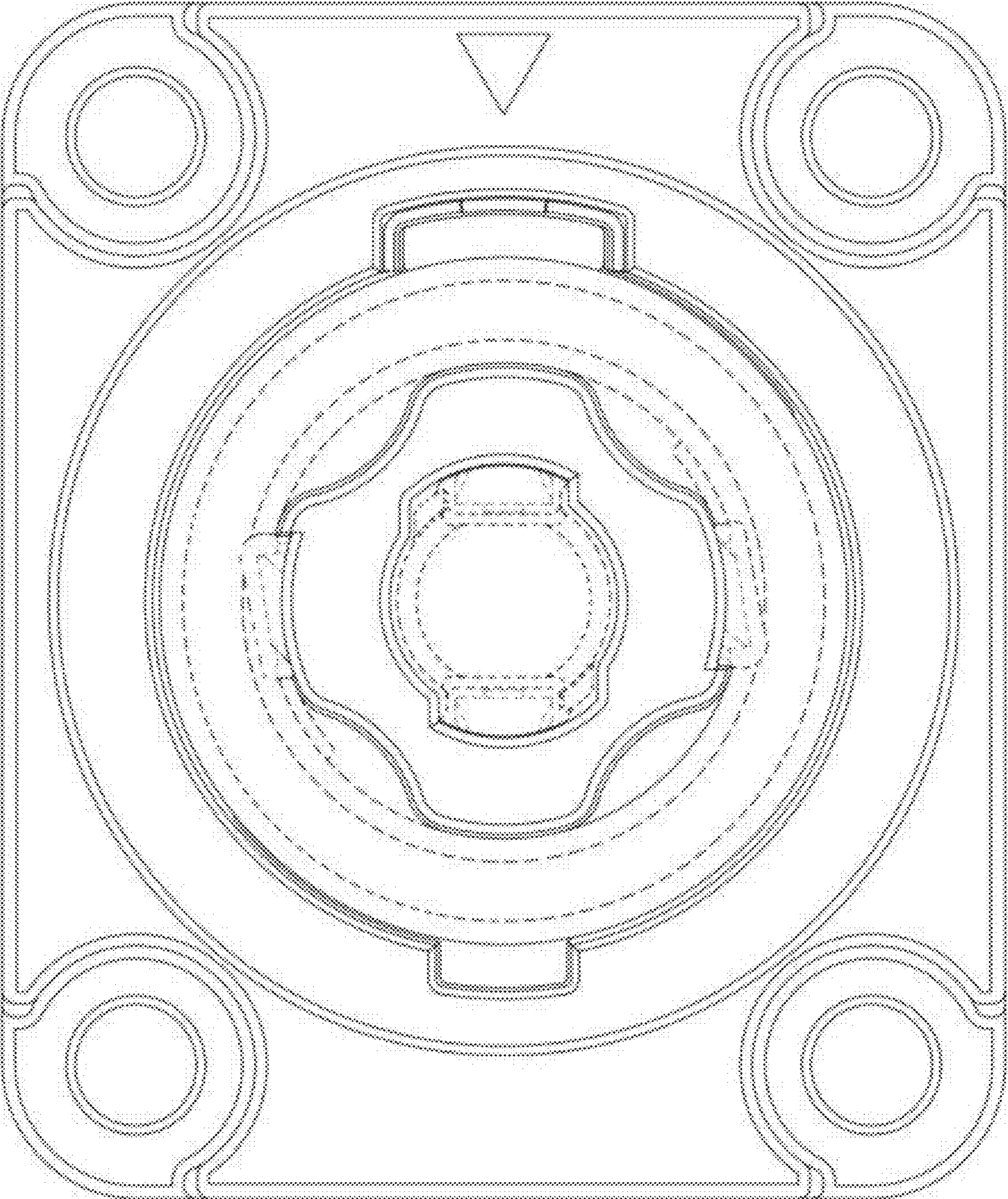
2.2



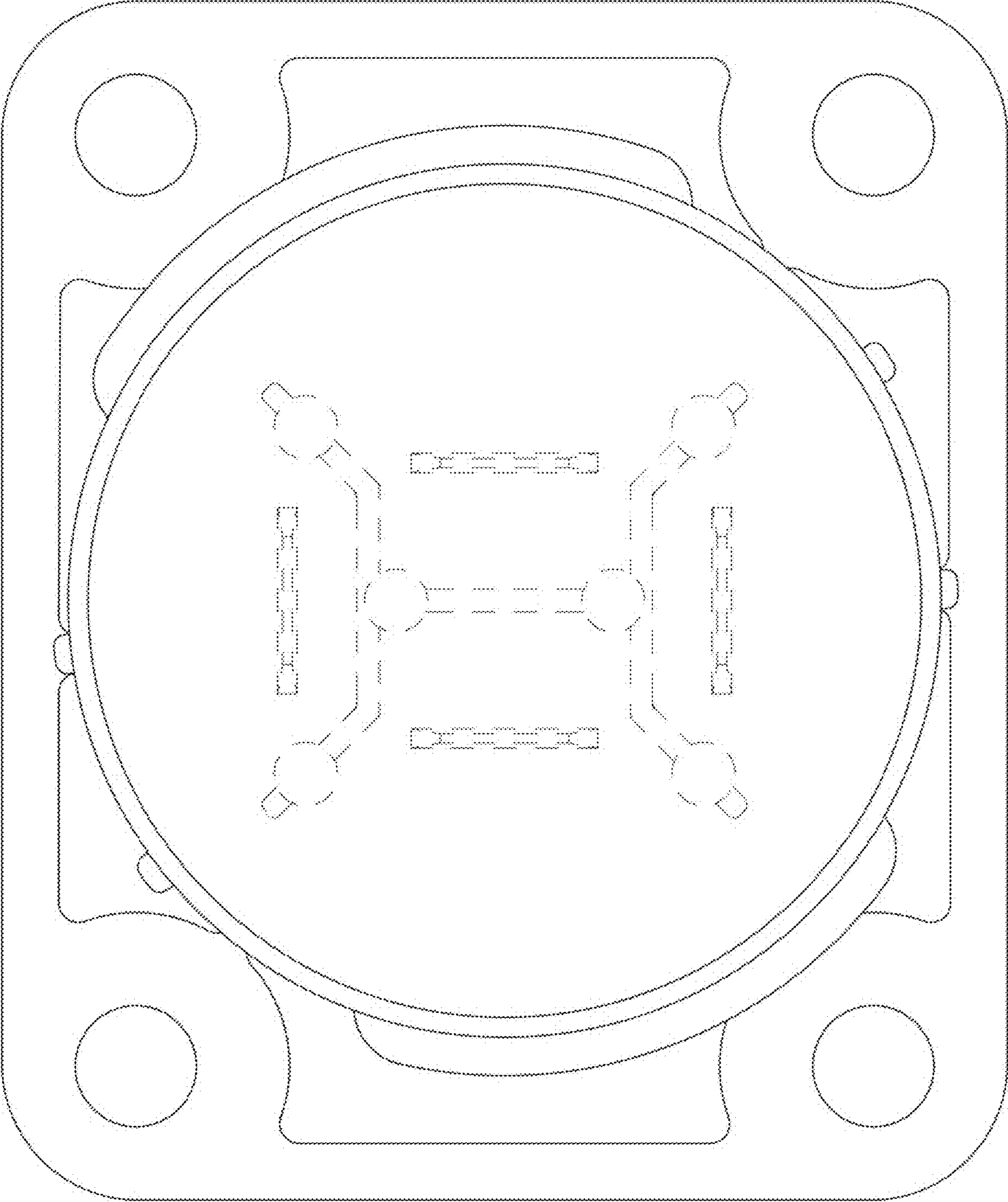
2.3



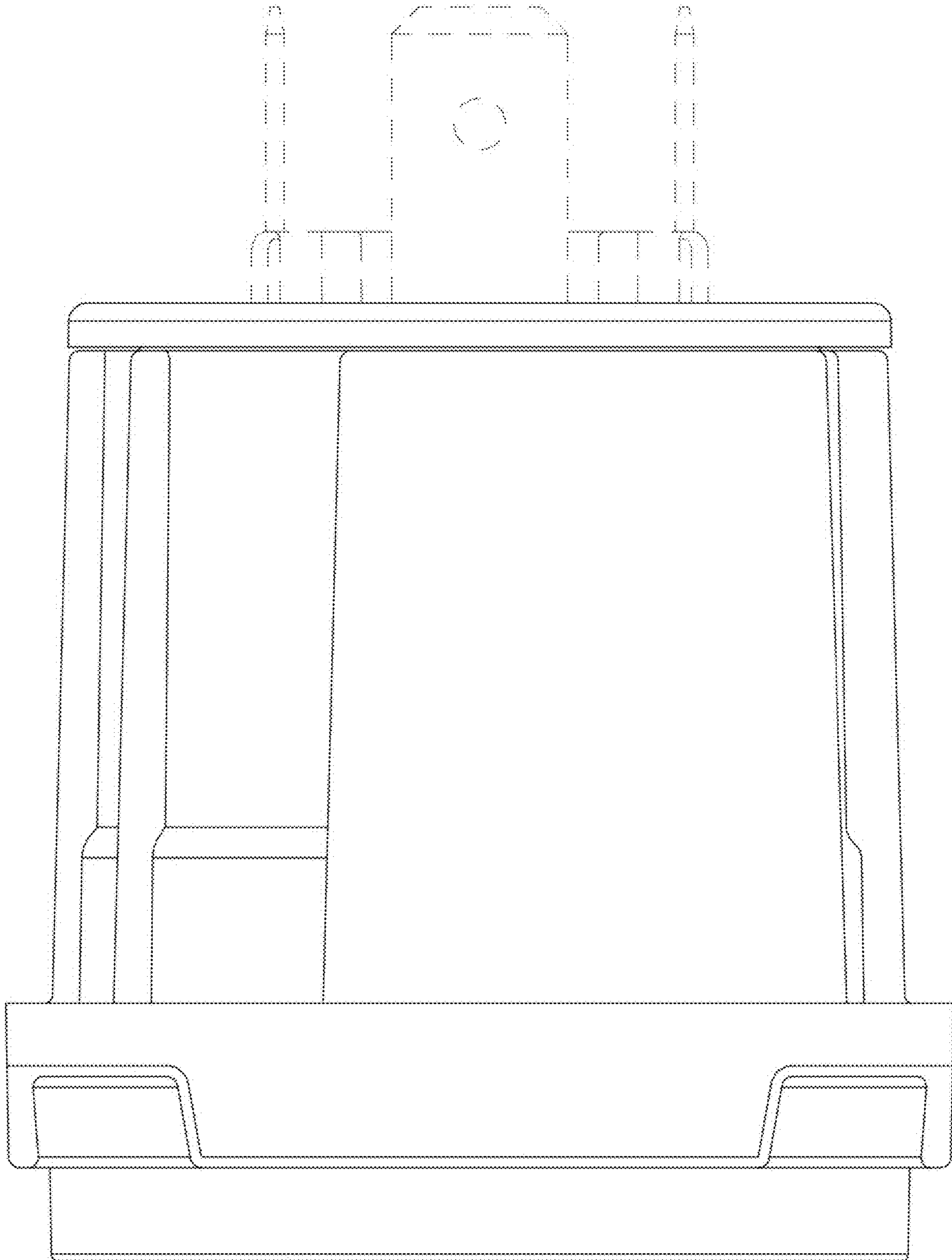
2.4



2.5



2.6



2.7

