



US00D914606S

(12) **United States Design Patent**  
**Jung et al.**

(10) **Patent No.:** **US D914,606 S**  
(45) **Date of Patent:** **\*\* Mar. 30, 2021**

(54) **CONNECTOR FOR SIGNAL TRANSMISSION**

(56)

**References Cited**

(71) Applicant: **GigaLane Co., Ltd.**, Hwaseong-si (KR)

U.S. PATENT DOCUMENTS

(72) Inventors: **Kyung Hun Jung**, Hwaseong-si (KR);  
**Hwa Yoon Song**, Hwaseong-si (KR);  
**Hee Seok Jung**, Hwaseong-si (KR); **Jin Uk Lee**, Hwaseong-si (KR); **Chang Hyun Yang**, Hwaseong-si (KR); **Sun Hwa Cha**, Hwaseong-si (KR); **Eun Jung Kim**, Hwaseong-si (KR)

3,846,738	A *	11/1974	Nepovim .....	H01R 9/05 439/584
4,377,320	A *	3/1983	Lathrop .....	H01R 24/40 439/585
5,564,942	A *	10/1996	Lee .....	H01R 9/0521 439/462
6,267,612	B1 *	7/2001	Arcykiewicz .....	H01R 13/6275 439/253
6,607,400	B1 *	8/2003	Ko .....	H01R 24/50 439/578
D517,496	S *	3/2006	Montena .....	D13/151
D535,619	S *	1/2007	Nagata .....	D13/133
D574,784	S *	8/2008	Chawgo .....	D13/133
D643,370	S *	8/2011	Eriksen .....	D13/154
D661,256	S *	6/2012	Shawgo .....	D13/151
8,678,859	B2 *	3/2014	Hirakawa .....	H01R 13/703 439/581

(73) Assignee: **GIGALANE CO., LTD.**, Hwaseong-si (KR)

(\*\*) Term: **15 Years**

(21) Appl. No.: **29/752,629**

(22) Filed: **Sep. 28, 2020**

(Continued)

*Primary Examiner* — Nathaniel D. Buckner

(74) *Attorney, Agent, or Firm* — Syncoda LLC; Feng Ma

**Related U.S. Application Data**

(62) Division of application No. 35/507,401, filed on Jan. 10, 2019 (U.S. filing date under 35 U.S.C. 384), and having an international filing date of Jan. 10, 2019.

(57)

**CLAIM**

The ornamental design for a connector for signal transmission, as shown and described.

**Foreign Application Priority Data**

(30)

Aug. 1, 2018 (KR) ..... 30-2018-0035734

(51) **LOC (13) Cl.** ..... **13-03**

(52) **U.S. Cl.**  
USPC ..... **D13/133**

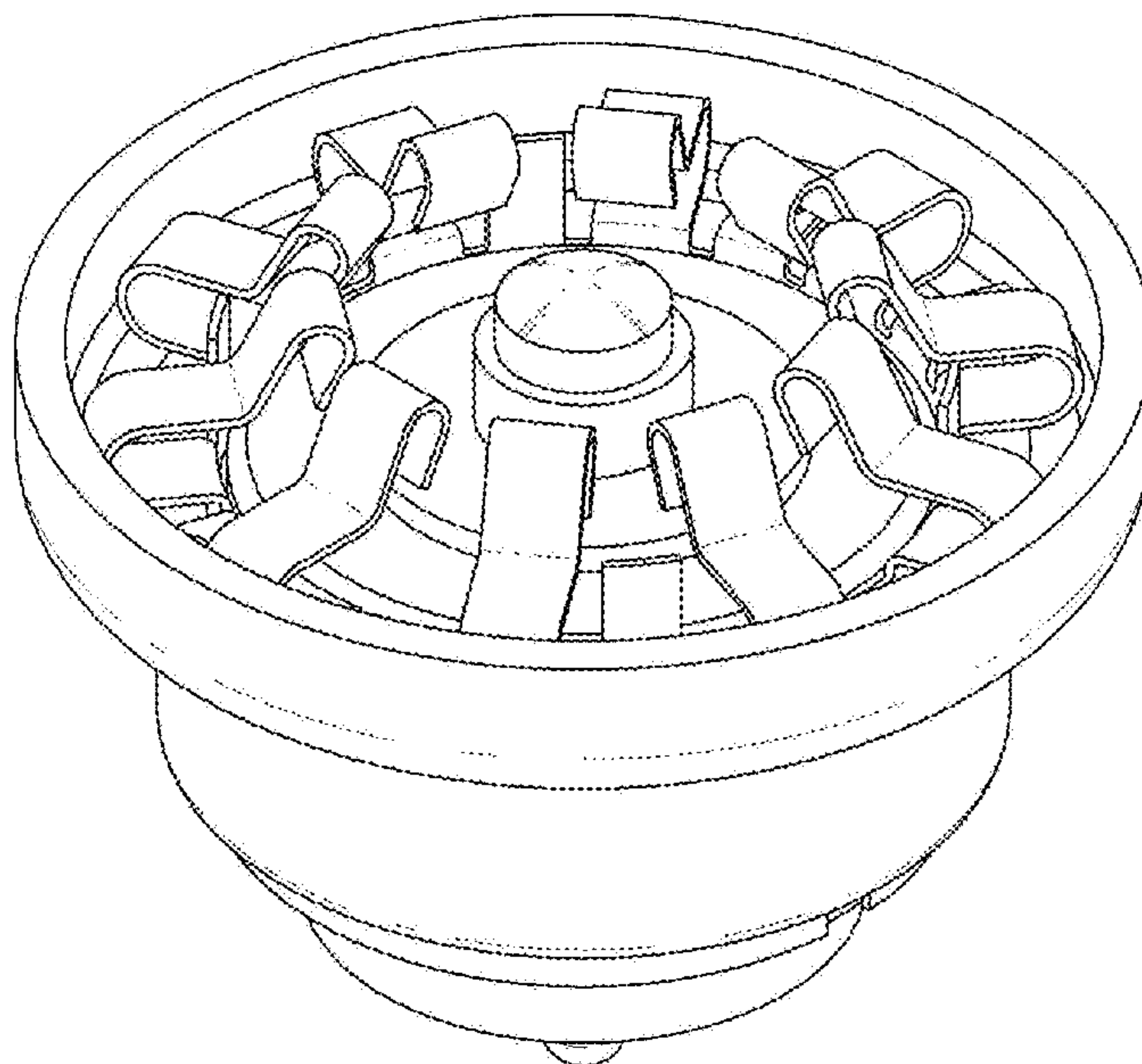
(58) **Field of Classification Search**  
USPC ..... D13/133, 154, 151, 120, 146, 149, 156  
CPC .... H01R 2103/00; H01R 24/40; H01R 24/38;  
H01R 9/05; H01R 13/6275; H01R 13/052; H01R 13/187; H01R 13/6277;  
H02G 3/0481

See application file for complete search history.

**DESCRIPTION**

FIG. 1 is a top perspective view of a connector for signal transmission;  
FIG. 2 is a front view thereof;  
FIG. 3 is a rear view thereof;  
FIG. 4 is a left view thereof;  
FIG. 5 is a right view thereof;  
FIG. 6 is a top view thereof;  
FIG. 7 is a bottom view thereof;  
FIG. 8 is a top perspective view thereof; and,  
FIG. 9 is a bottom perspective view thereof.

**1 Claim, 7 Drawing Sheets**



(56)

**References Cited**

U.S. PATENT DOCUMENTS

9,590,345 B2 \* 3/2017 Wollitzer ..... H01R 13/17  
2004/0229486 A1 \* 11/2004 Uratani ..... H01R 13/7037  
439/188

\* cited by examiner

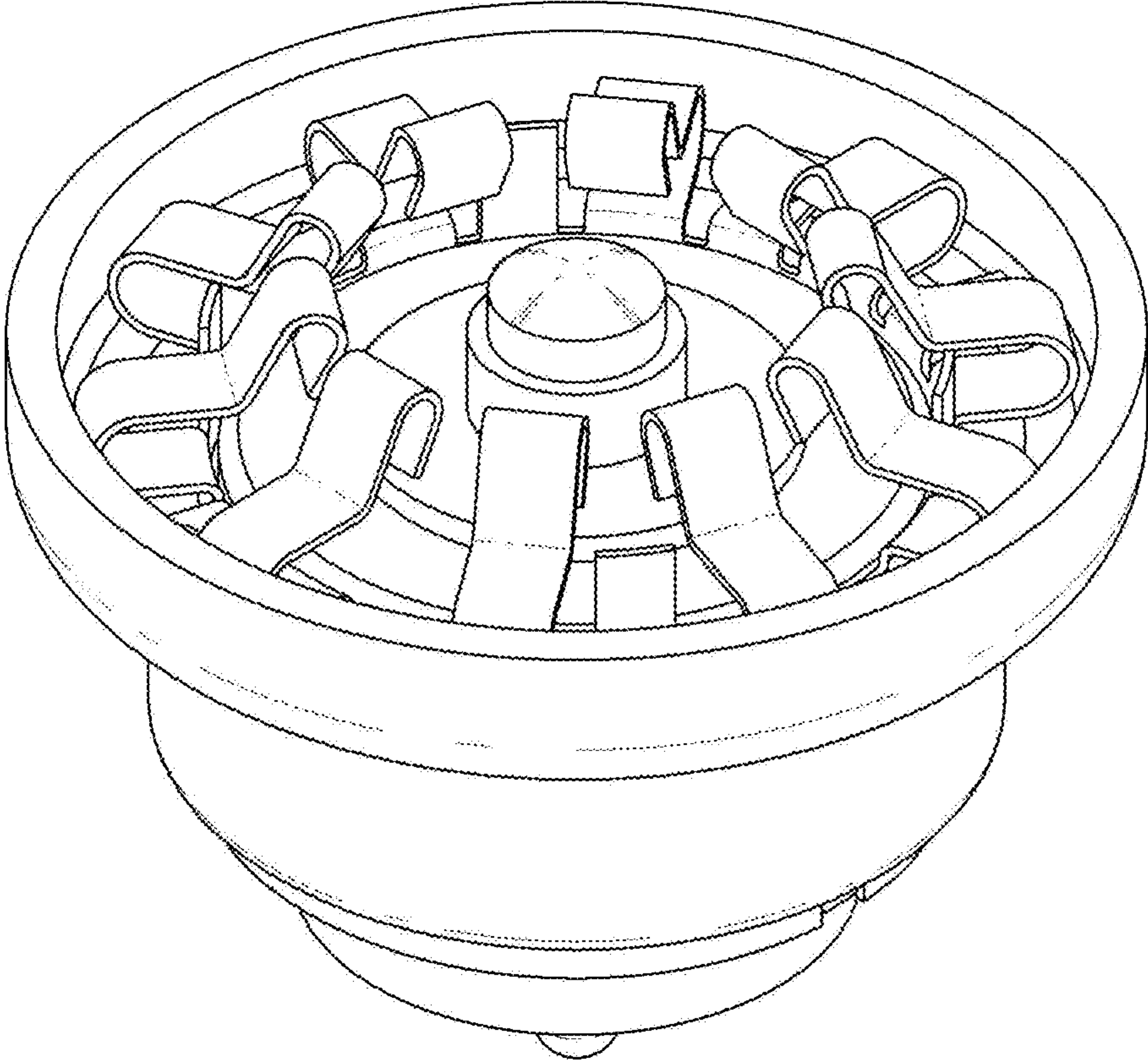


FIG. 1

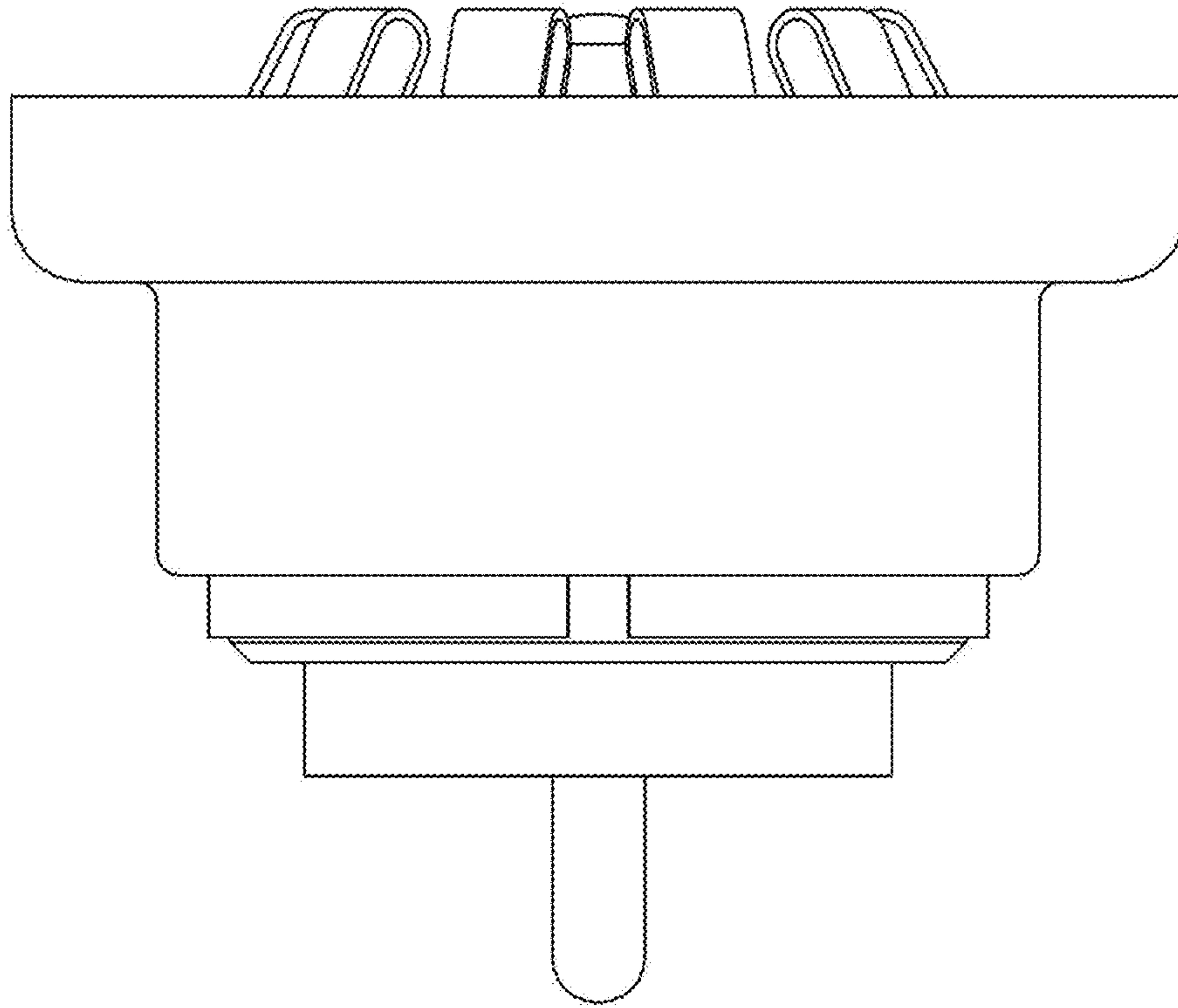


FIG. 2

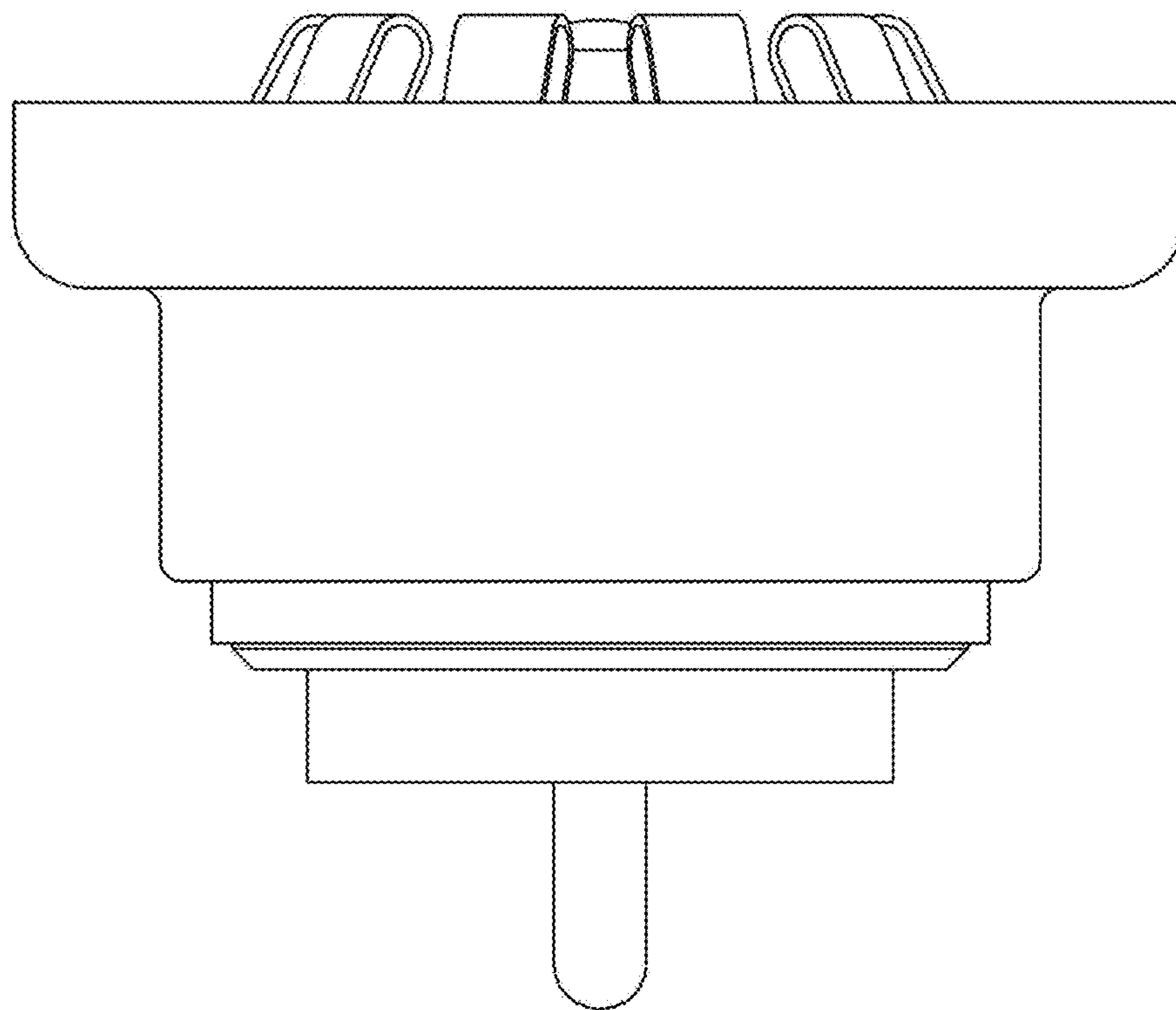


FIG. 3

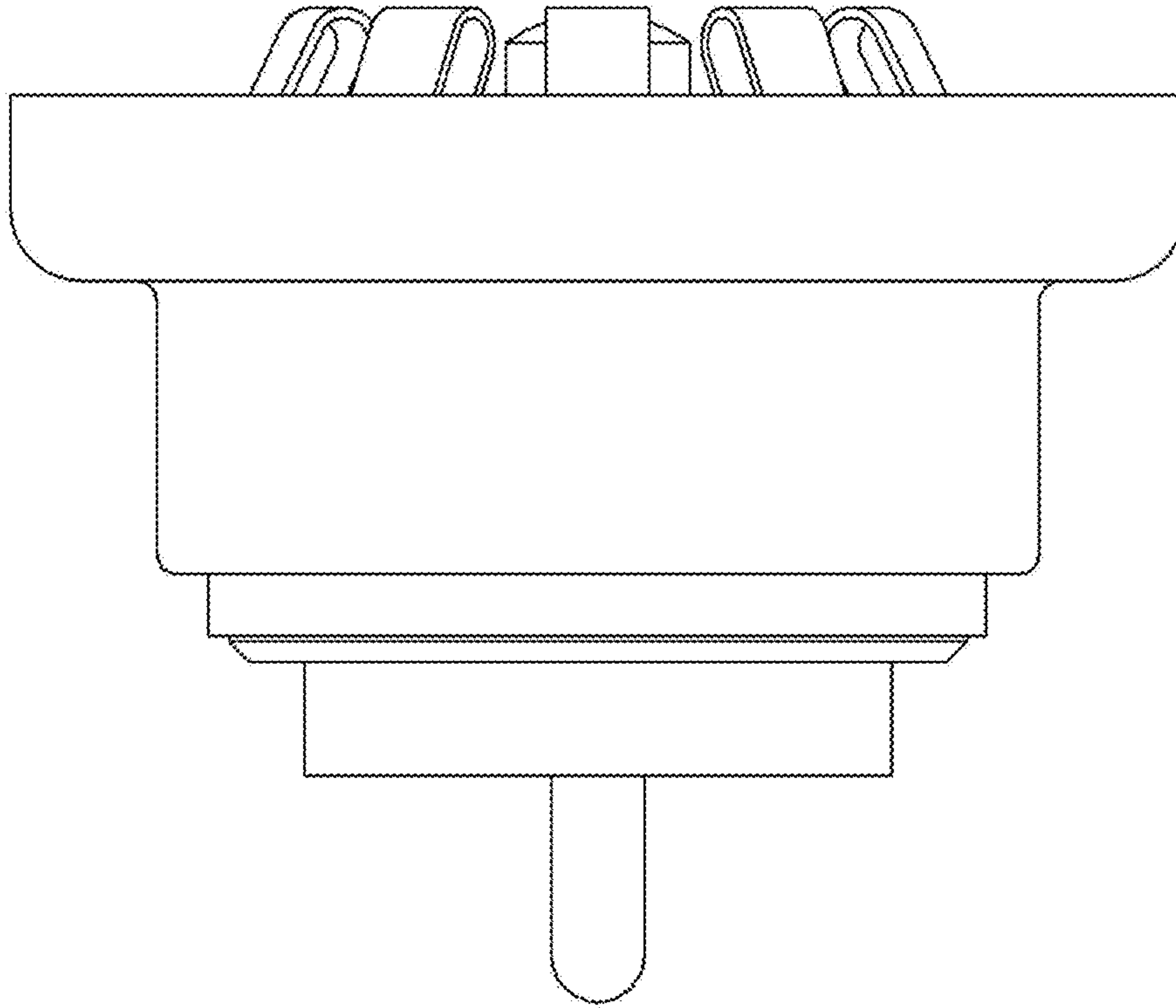


FIG. 4

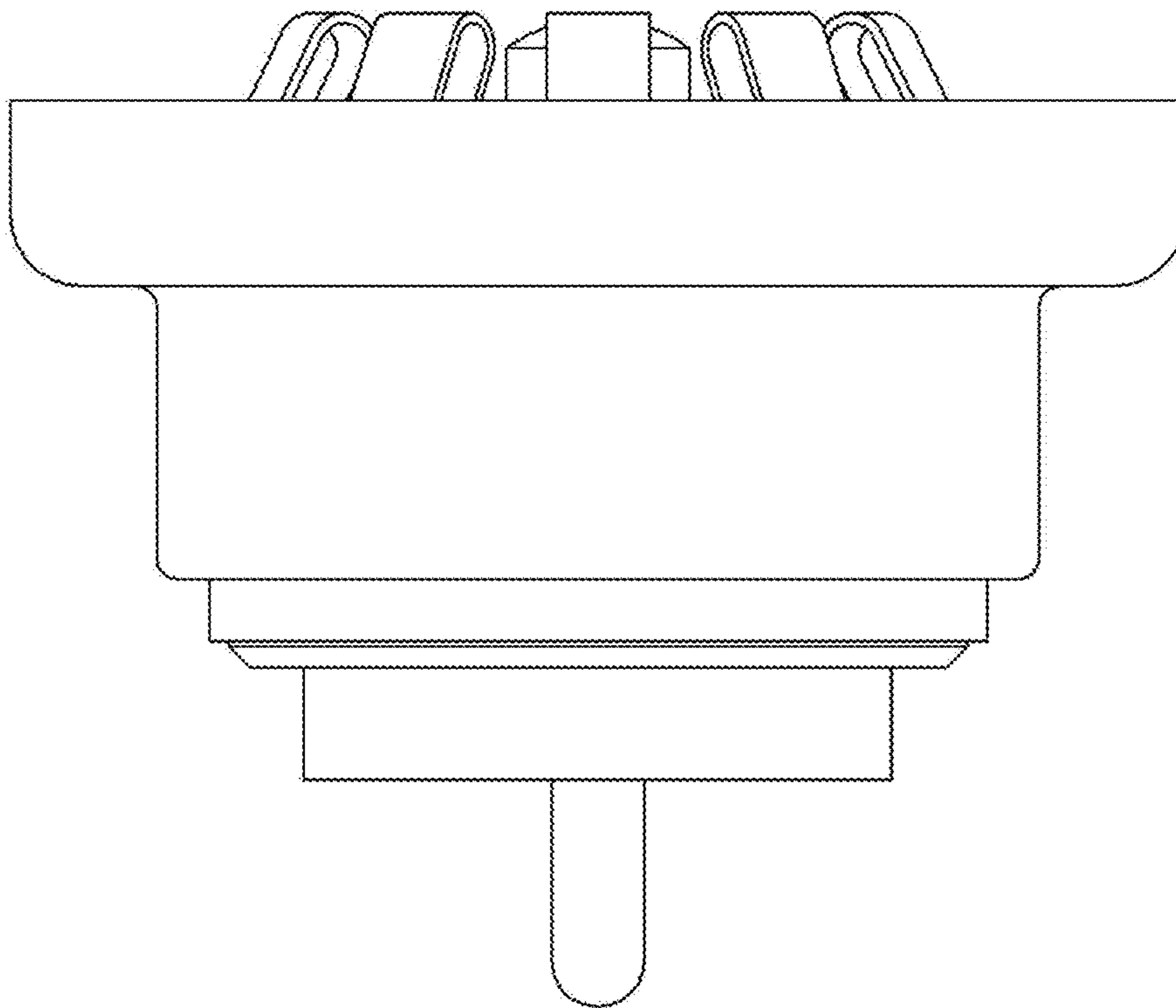


FIG. 5



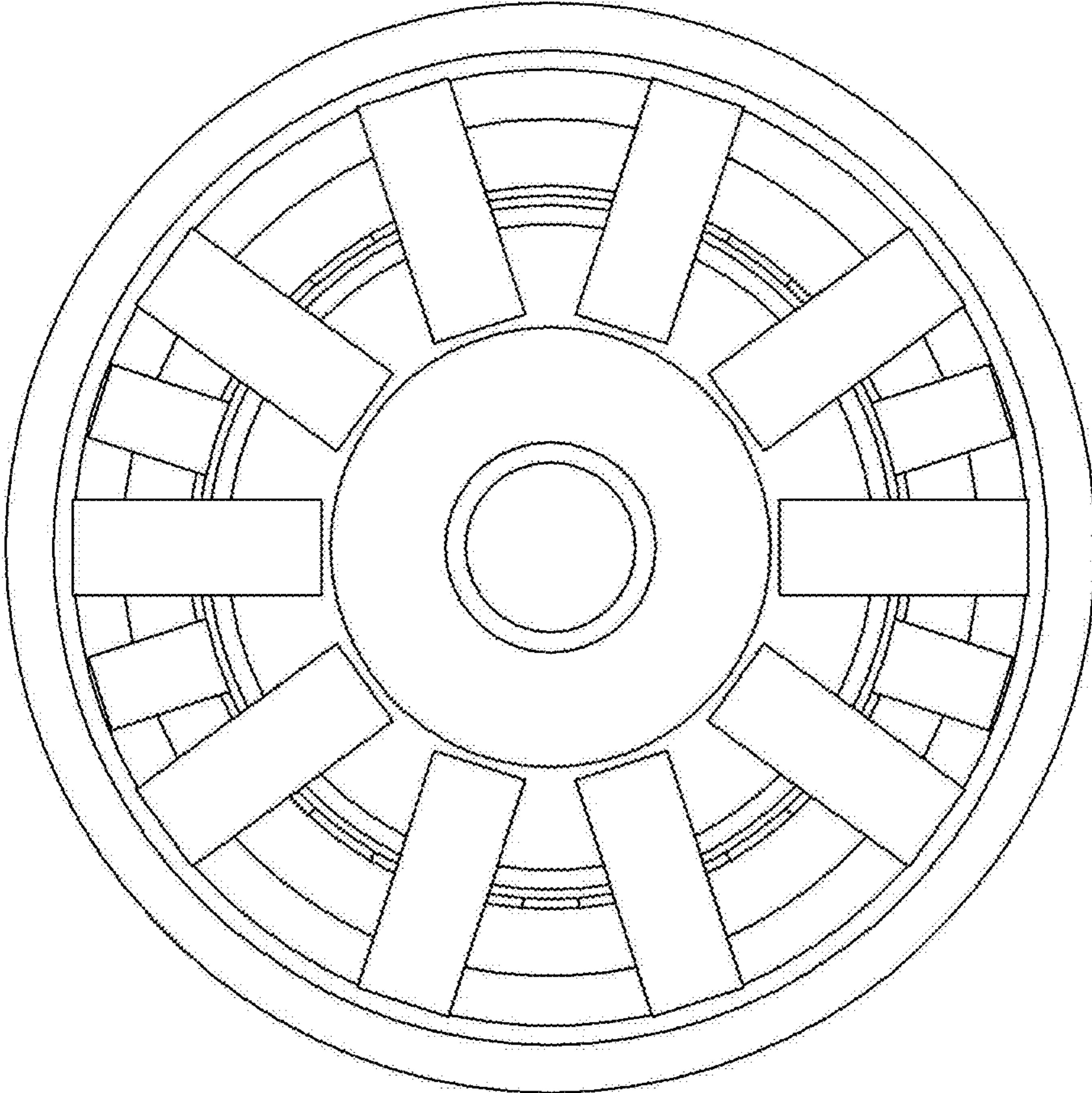


FIG. 6

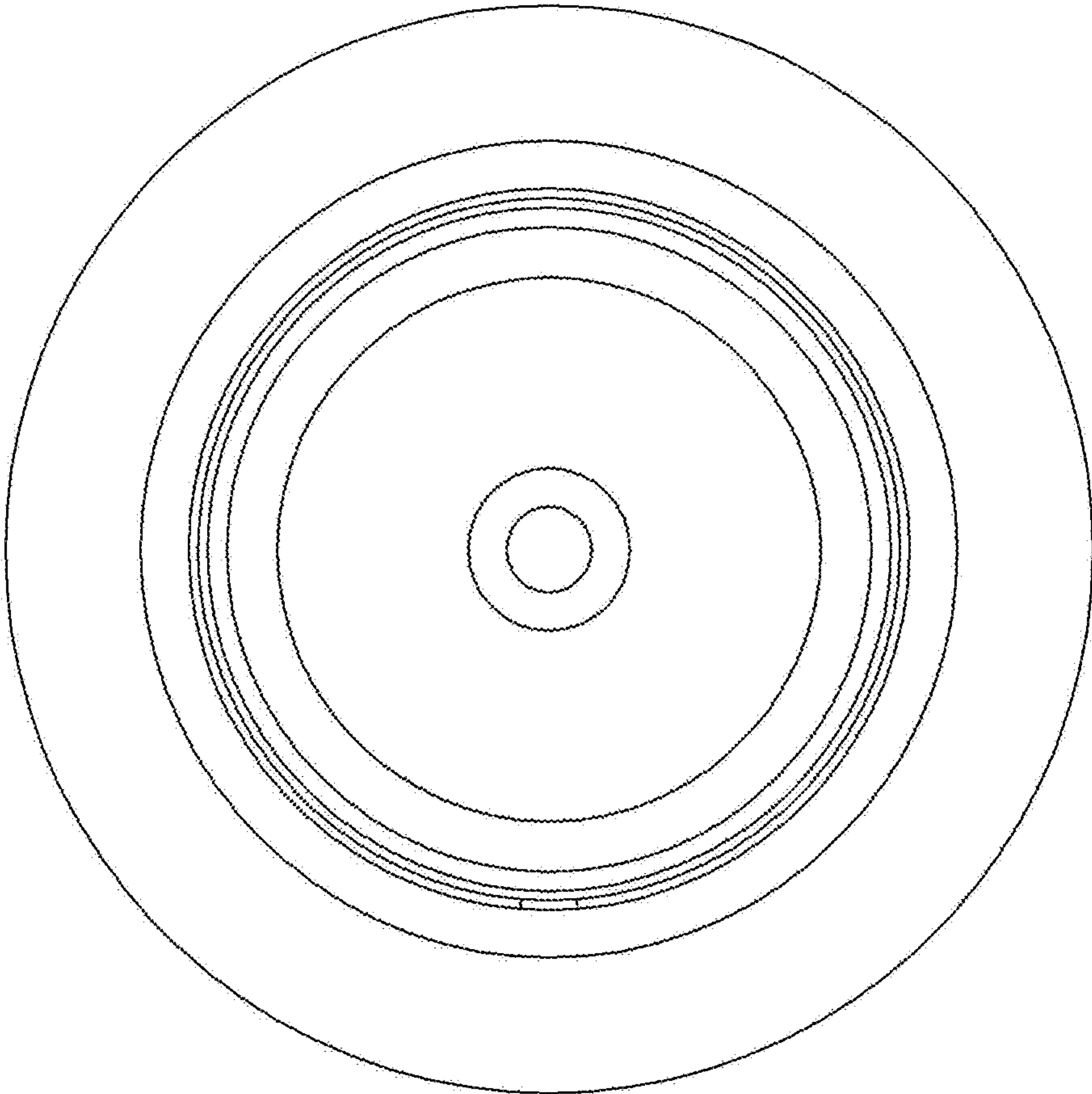


FIG. 7

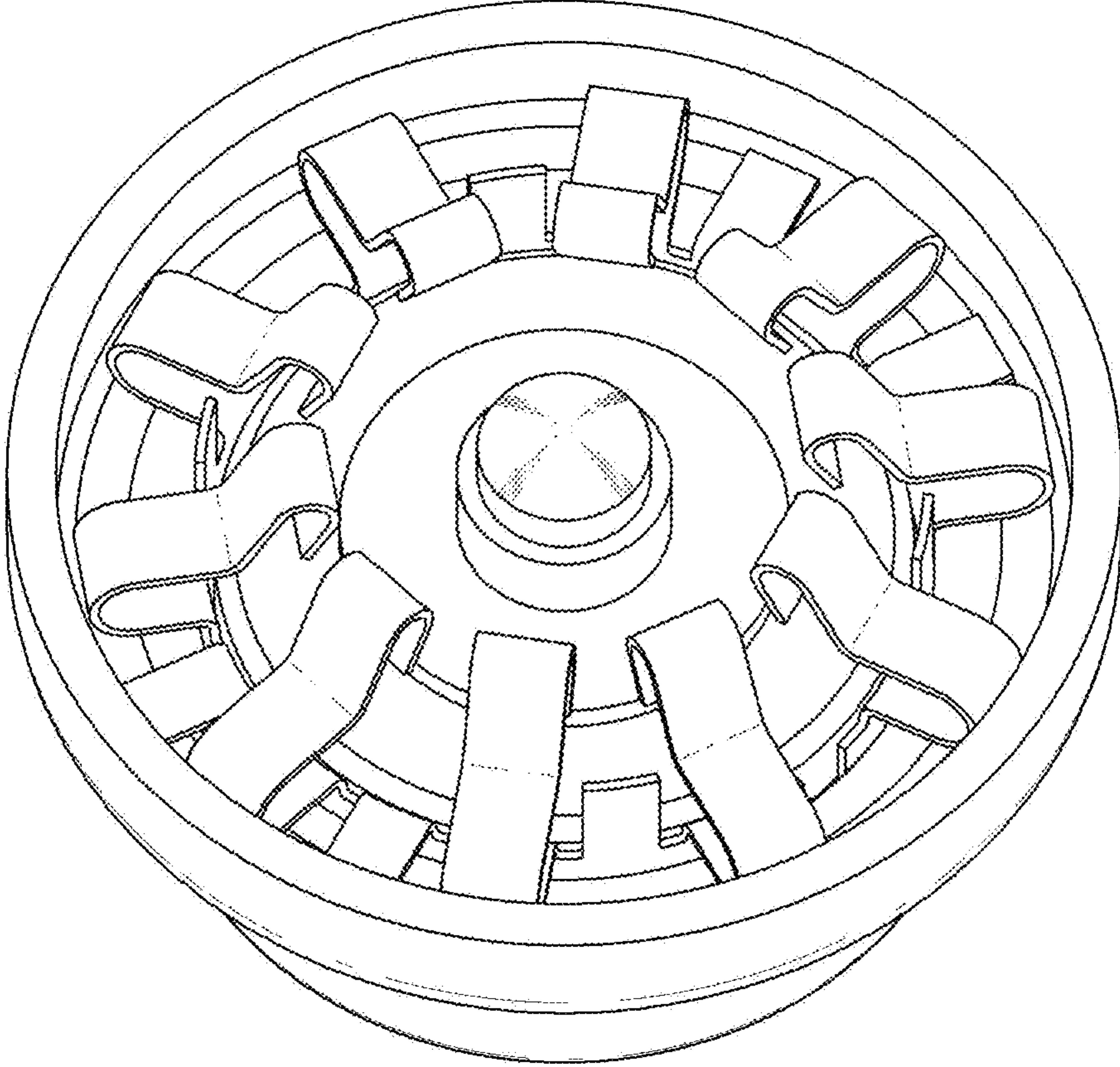


FIG. 8



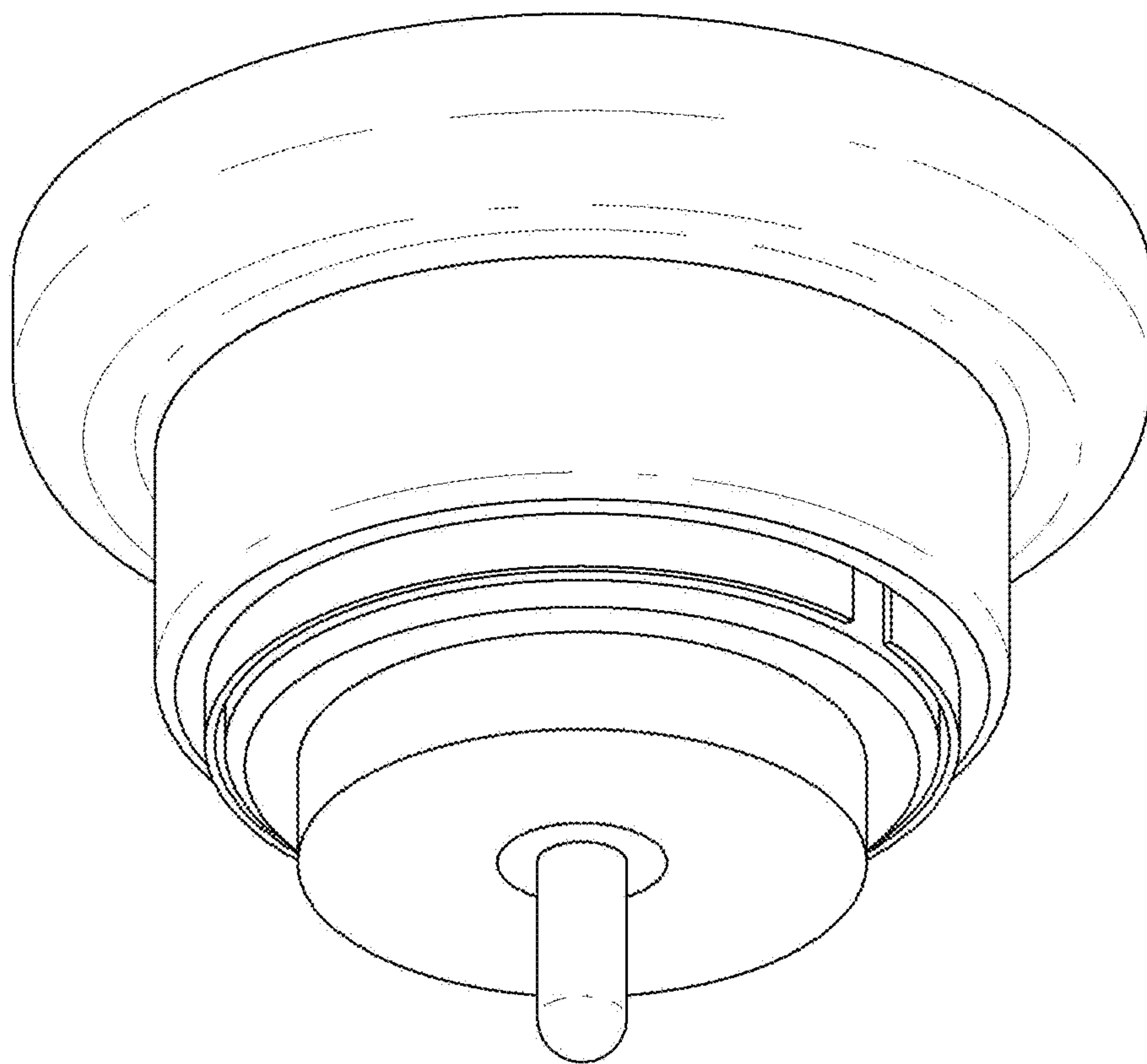


FIG. 9