



US00D914605S

(12) **United States Design Patent**
Xin

(10) **Patent No.:** **US D914,605 S**
(45) **Date of Patent:** **** Mar. 30, 2021**

(54) **ELECTRIC FENCE ELEMENT**

FOREIGN PATENT DOCUMENTS

(71) Applicant: **SunSun Electronic Technology Inc.**,
Boulder, CO (US)

CN 3651933 * 5/2007
CN 302242260 * 12/2012

(72) Inventor: **Ma Hui Xin**, Boulder, CO (US)

OTHER PUBLICATIONS

(**) Term: **15 Years**

Amazon. Link: https://www.amazon.com/dp/B00GOYBSTS/ref=cm_sw_em_r_mt_dp_Z4tnFb7MRJQX3. Jul. 31, 2016. Gallagher North America Live Fence Indicator. (Year: 2016).*

(21) Appl. No.: **29/704,889**

* cited by examiner

(22) Filed: **Sep. 9, 2019**

(51) **LOC (13) Cl.** **13-03**

Primary Examiner — Lauren D McVey

(52) **U.S. Cl.**

(74) *Attorney, Agent, or Firm* — Rumit Ranjit Kanakia

USPC **D13/129**

(58) **Field of Classification Search**

(57) **CLAIM**

USPC D13/123–132; D8/364, 356, 394, 395,
D8/396

I claim the ornamental design for an electric fence element,
as shown and described.

CPC H01B 17/14; H01B 17/145; H01B 17/20;
H01B 17/22; H01B 17/24; H01B 17/301

DESCRIPTION

See application file for complete search history.

FIG. 1 is a Perspective view of an electric fence element,
showing my new design;

(56) **References Cited**

U.S. PATENT DOCUMENTS

- D211,881 S * 8/1968 Bauer D13/132
- 3,572,639 A * 3/1971 Shettel E04H 17/12
256/10
- D402,184 S * 12/1998 Smith D8/349
- D468,690 S * 1/2003 Langlie D13/129
- 7,178,789 B1 * 2/2007 Lehmann E04H 17/12
256/24
- D666,970 S * 9/2012 Blake, Jr. D13/125
- D695,217 S * 12/2013 Dasbach D13/110
- D695,218 S * 12/2013 Dasbach D13/110
- D707,634 S * 6/2014 Pizzi D13/154
- D757,652 S * 5/2016 Halderman D13/129
- D789,185 S * 6/2017 Wall D8/364
- D822,604 S * 7/2018 Piper D13/132
- D865,673 S * 11/2019 Conan D13/129

FIG. 2 is a Front view of the electric fence element as shown
in FIG. 1;

FIG. 3 is a Back view of the electric fence element as shown
in FIG. 1;

FIG. 4 is a Right-side view of the electric fence element as
shown in FIG. 1;

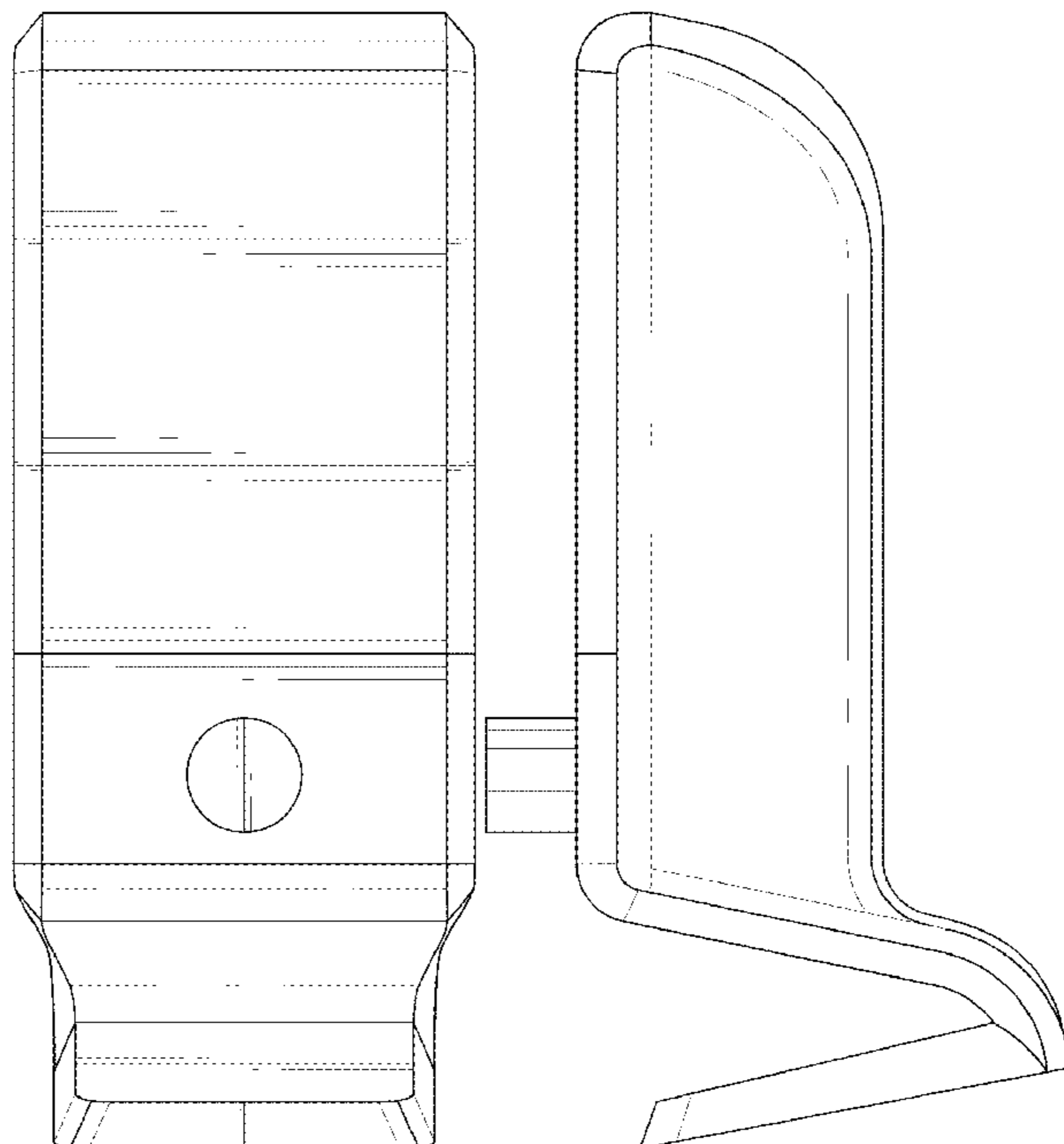
FIG. 5 is a Left-side view of the electric fence element as
shown in FIG. 1;

FIG. 6 is a Top view of the electric fence element as shown
in FIG. 1; and,

FIG. 7 is a Bottom view of the electric fence element as
shown in FIG. 1.

The broken lines in the figures depict portions of the article
which form no part of the claimed design.

1 Claim, 7 Drawing Sheets



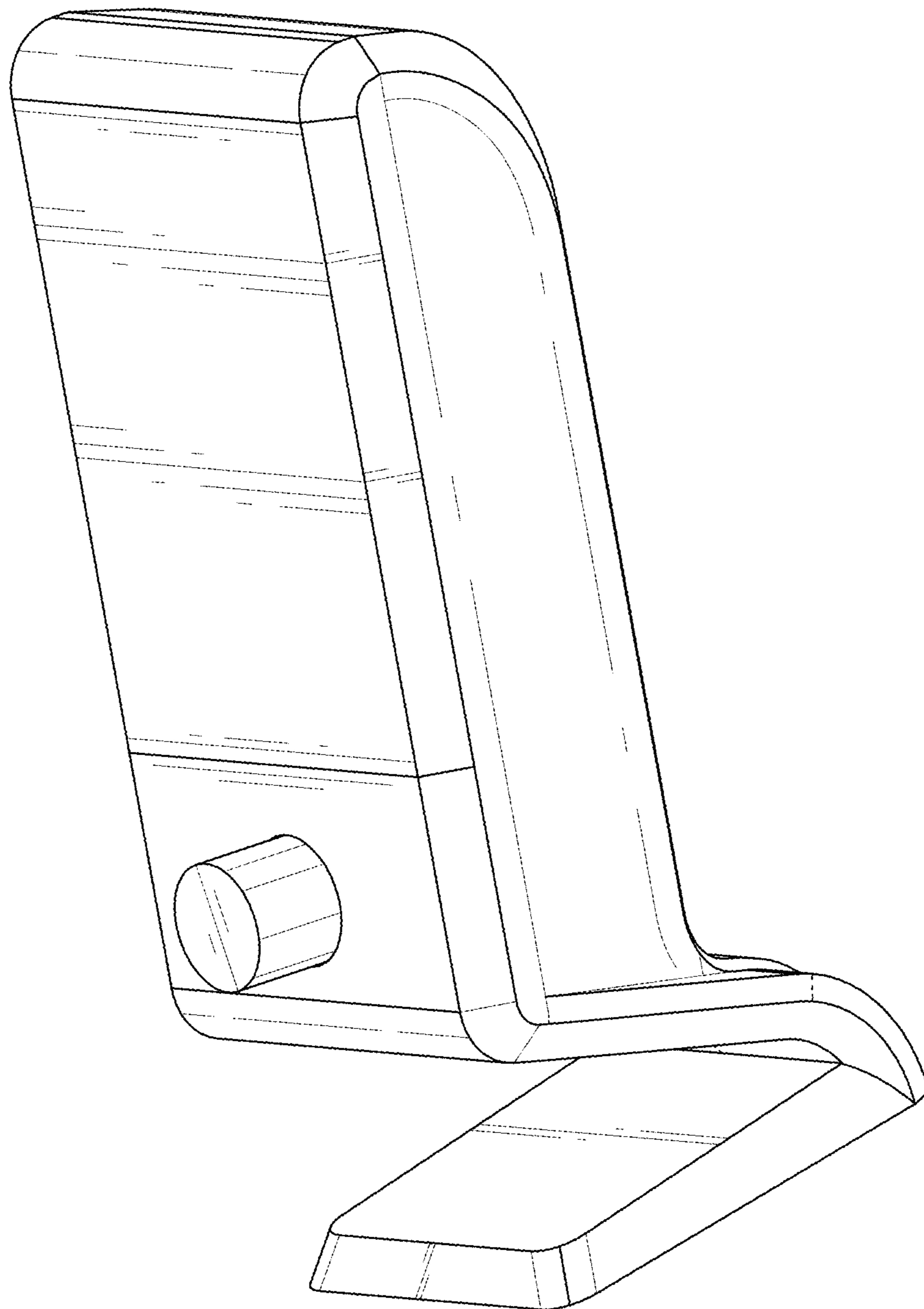


FIG. 1

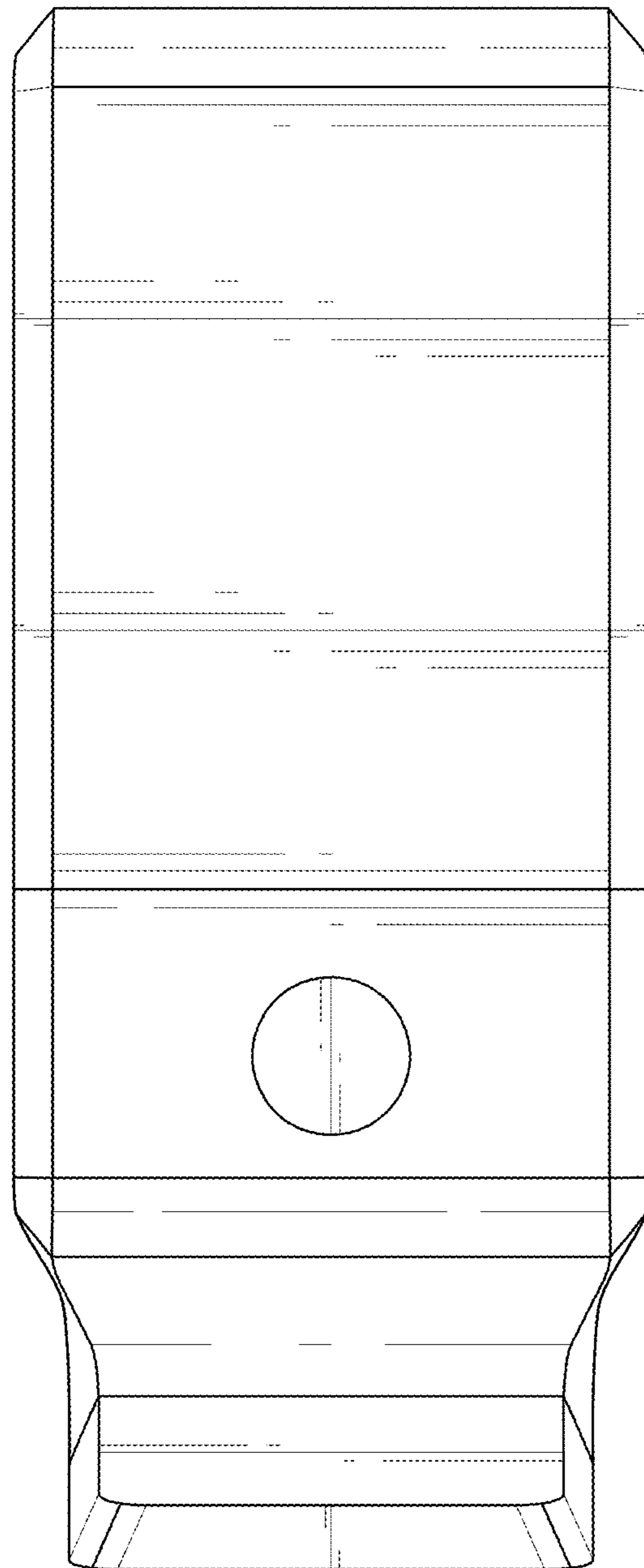


FIG. 2

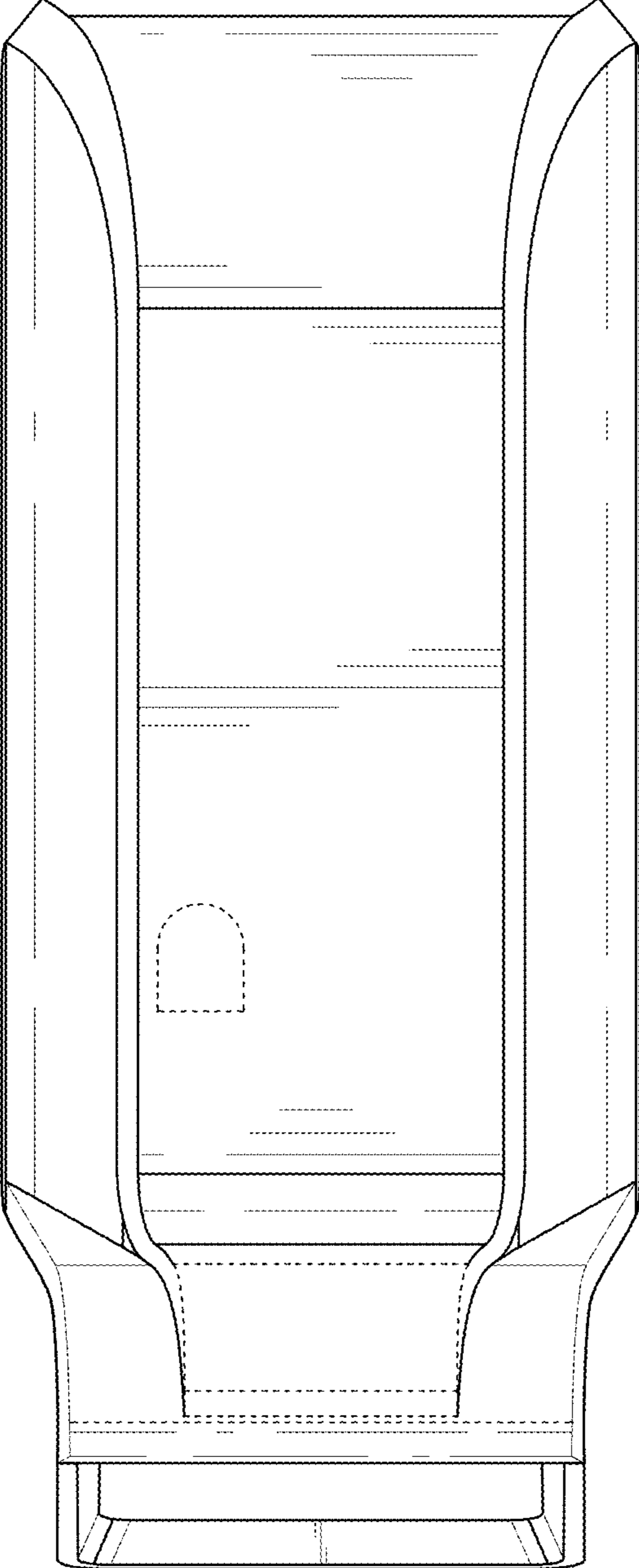


FIG. 3

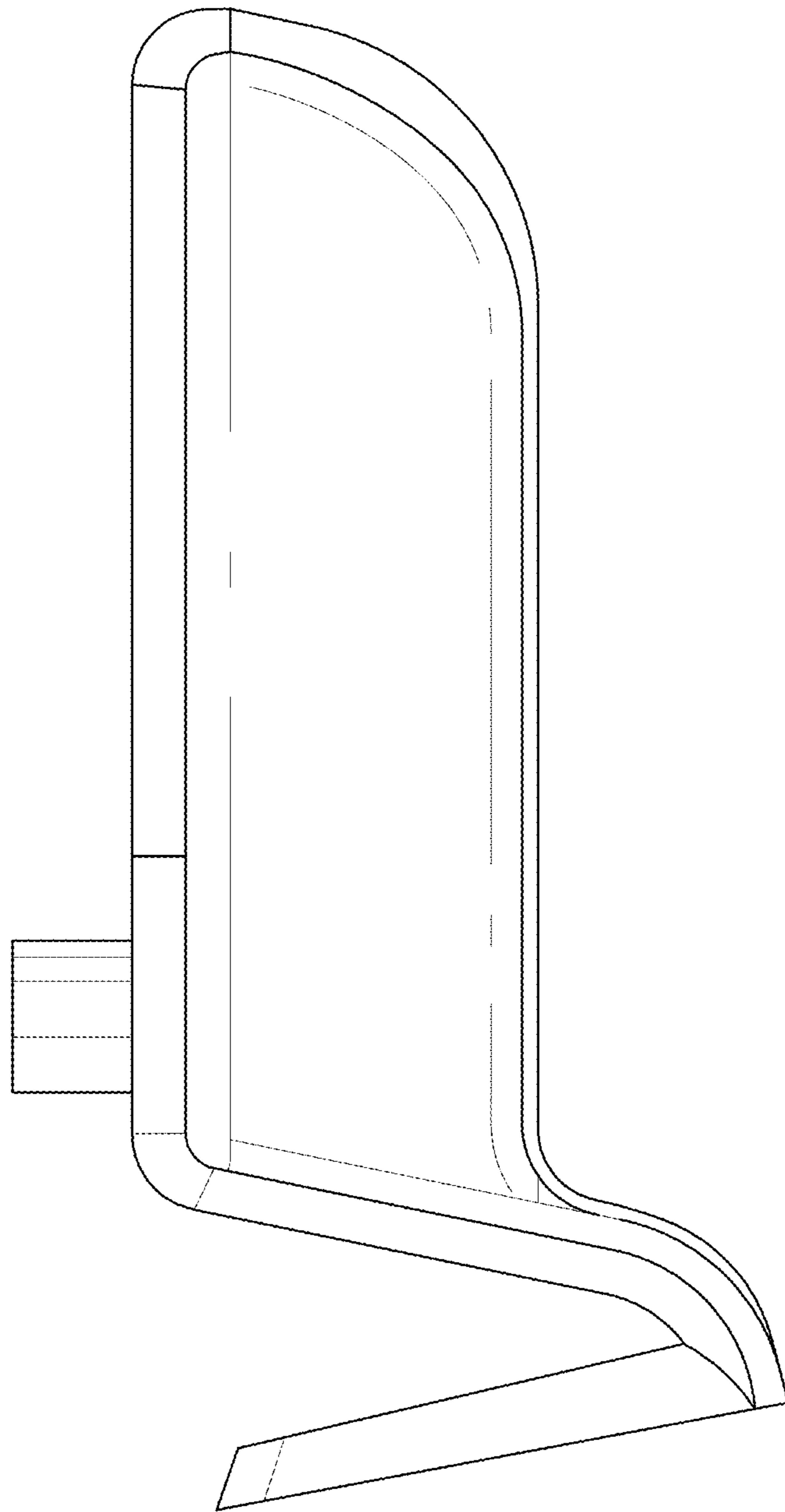


FIG. 4

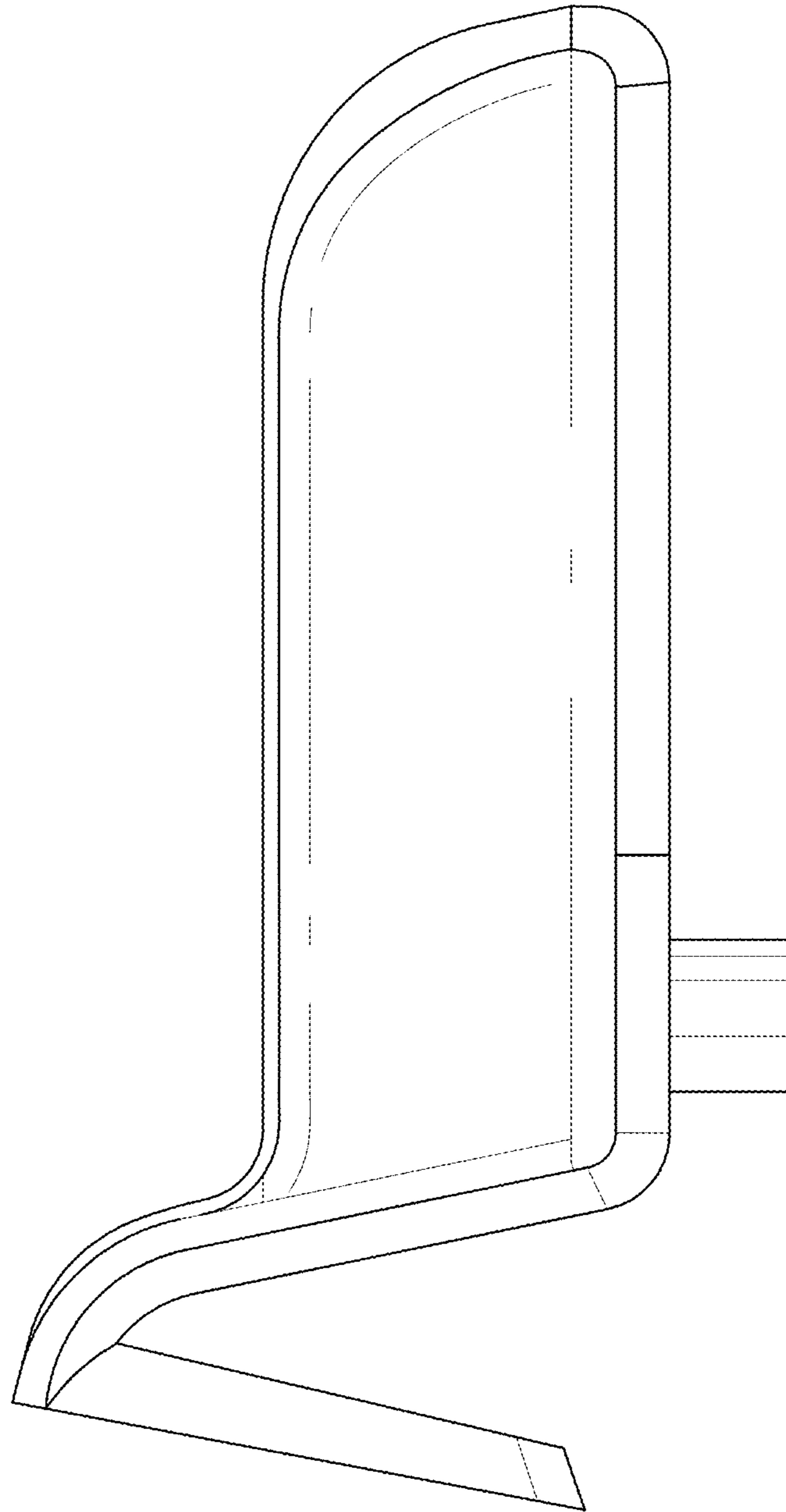


FIG. 5

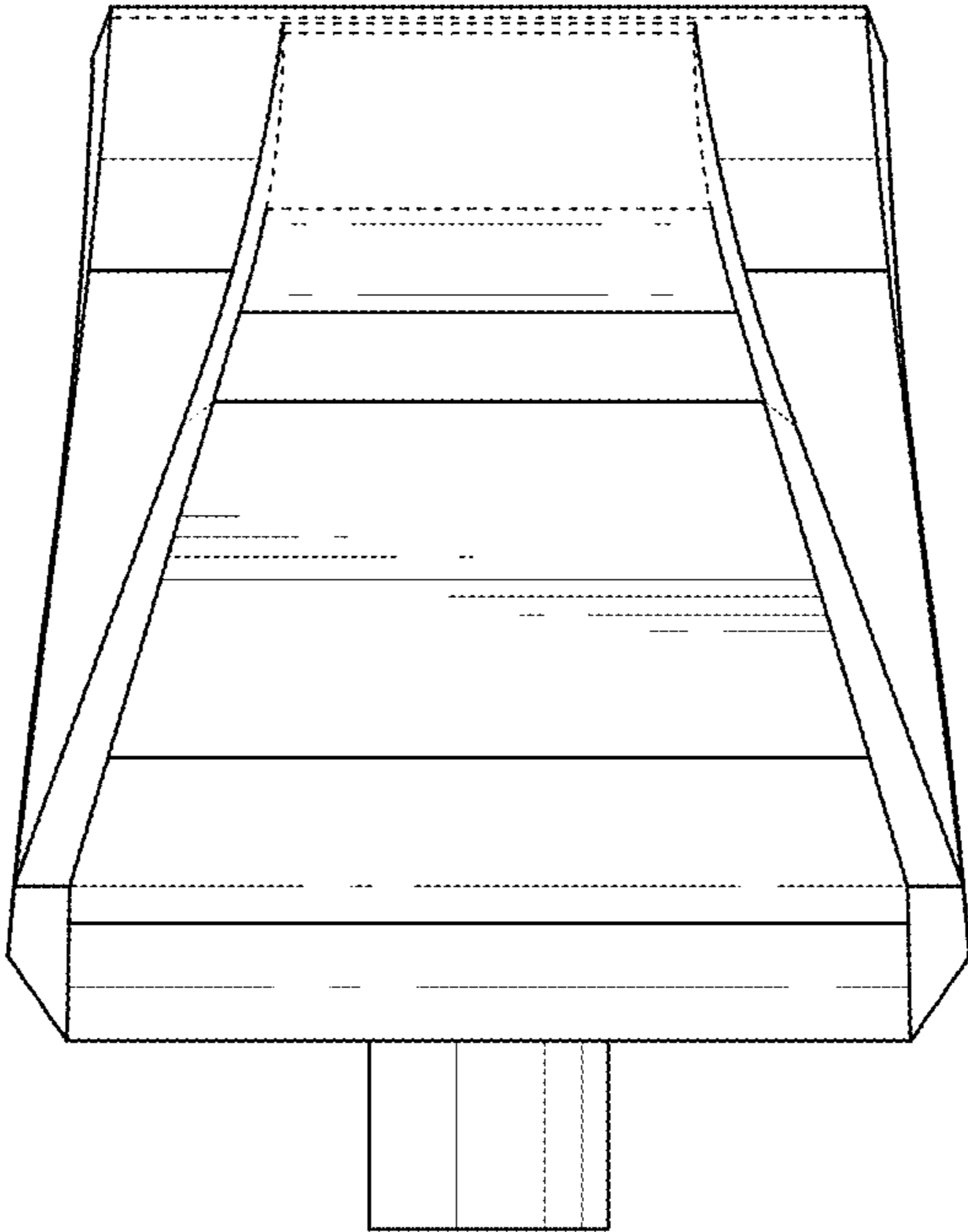


FIG. 6

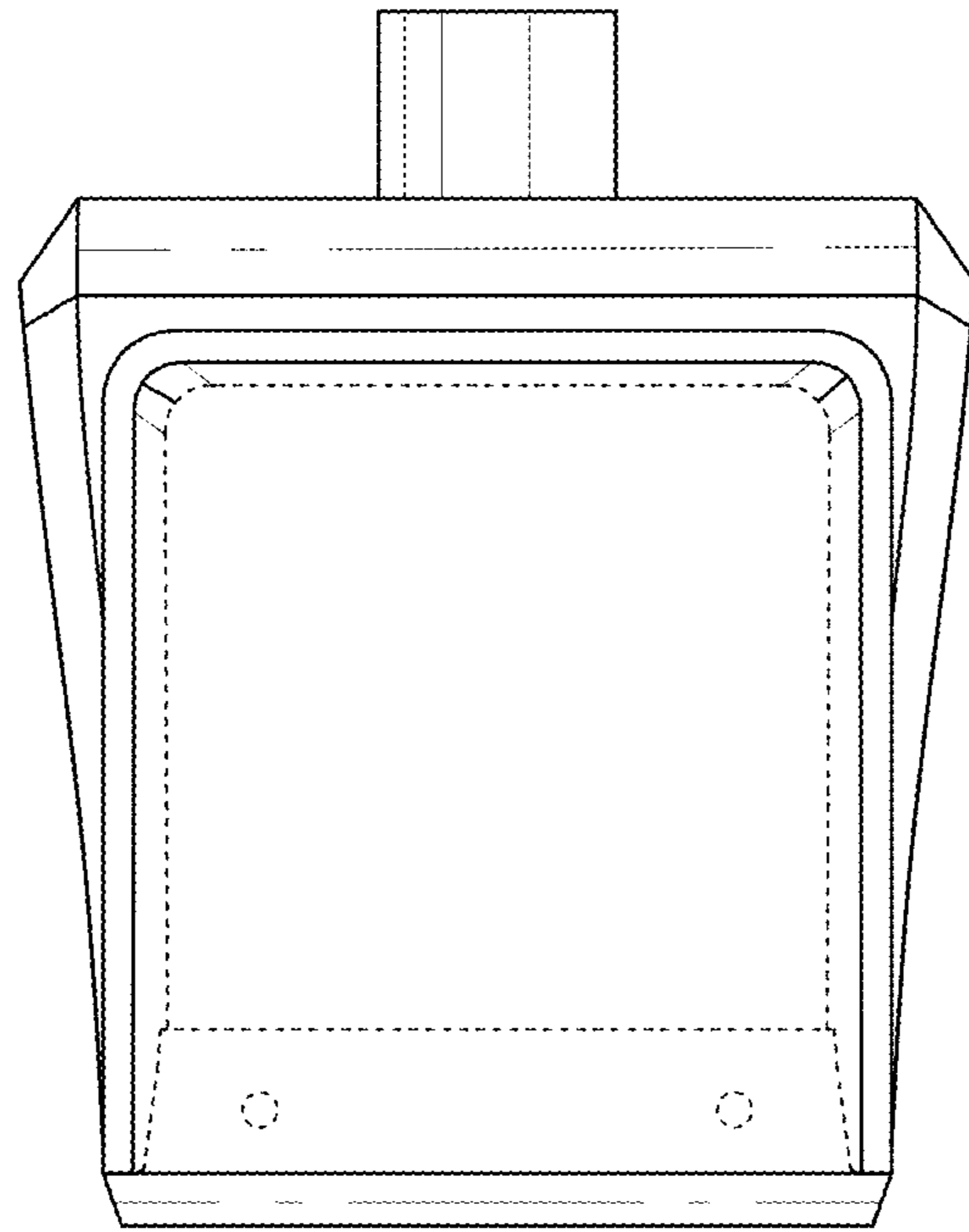


FIG. 7