



US00D914604S

(12) **United States Design Patent**
Wang

(10) **Patent No.:** **US D914,604 S**
(45) **Date of Patent:** **** Mar. 30, 2021**

(54) **PROTECTIVE COVER FOR EARPHONE CHARGING CASE**

(71) Applicant: **SHENZHEN JU NETWORK TECHNOLOGY CO., LTD**, Shenzhen (CN)

(72) Inventor: **Kai Wang**, Shenzhen (CN)

(73) Assignee: **SHENZHEN JU NETWORK TECHNOLOGY CO., LTD**, Shenzhen (CN)

(**) Term: **15 Years**

(21) Appl. No.: **29/745,797**

(22) Filed: **Aug. 10, 2020**

(51) **LOC (13) Cl.** **13-02**

(52) **U.S. Cl.**
USPC **D13/118; D3/321**

(58) **Field of Classification Search**
USPC D13/103, 107–110, 118–119, 184, 199; D3/201, 218, 318, 321, 328, 269, 273, D3/294, 274, 300; D14/217, 223, 238.1, D14/440
CPC .. H02J 50/00; H02J 50/10; H02J 50/12; H02J 50/80; H02J 7/025; H02J 7/005; H02J 7/0026; H02J 7/0044; H02J 7/0045; H02J 7/0013; H02J 7/0003; A45C 2011/001; A45C 2011/002; A45C 2011/003
See application file for complete search history.

(56) **References Cited**

U.S. PATENT DOCUMENTS

D868,453 S * 12/2019 Lee D3/201
D881,867 S * 4/2020 Lee D14/250
D882,259 S * 4/2020 Liu D3/269
D886,445 S * 6/2020 Hyun D3/201
D890,765 S * 7/2020 Lee D14/440

D893,166 S * 8/2020 Lu D3/201
D898,664 S * 10/2020 Bhutani D13/108
D901,177 S * 11/2020 Wei D3/294
D902,854 S * 11/2020 Feng D13/108
D904,005 S * 12/2020 Jung D3/201
D905,066 S * 12/2020 Lee D14/440
D905,430 S * 12/2020 Kwak D3/273
D907,048 S * 1/2021 Wang D14/440
D907,049 S * 1/2021 Yu D14/440

OTHER PUBLICATIONS

“AirPods Pro Case, KMMIN Waterproof AirPods Pro Case Cover Wireless Charging Case Premium Silicone Protective Case Skin AirPods Accessories with Hook, LED Light Visible”, Retrieved Aug. 10, 2020. Retrieved from Internet, <https://www.amazon.com/KMMIN-Waterprocf-Wireless-Protective-Accessories/dp/B083FCEZPG/ref>.

(Continued)

Primary Examiner — Rosemary K Tarcza

(57) **CLAIM**

The ornamental design for a protective cover for earphone charging case, as shown and described.

DESCRIPTION

FIG. 1 is a perspective view of a protective cover for earphone charging case showing my new design; FIG. 2 is another perspective view thereof; FIG. 3 is a front elevational view thereof; FIG. 4 is a rear elevational view thereof; FIG. 5 is a left side elevational view thereof; FIG. 6 is a right side elevational view thereof; FIG. 7 is a top plan view thereof; and, FIG. 8 is a bottom plan view thereof.

The broken lines in the drawings depict portions of the protective cover for earphone charging case that form no part of the claimed design.

1 Claim, 8 Drawing Sheets



(56)

References Cited

OTHER PUBLICATIONS

“BRG AirPods Pro Case Cover Designed for AirPods pro, Full-Body Protective Rugged Armor AirPod Pro Case with Carabiner for AirPods Pro Wireless Charging Case [Front LED Visible]”, Retrieved Aug. 10, 2020]. Retrieved from Internet, <https://www.amazon.com/dp/B08B15HXLS/ref>.

* cited by examiner

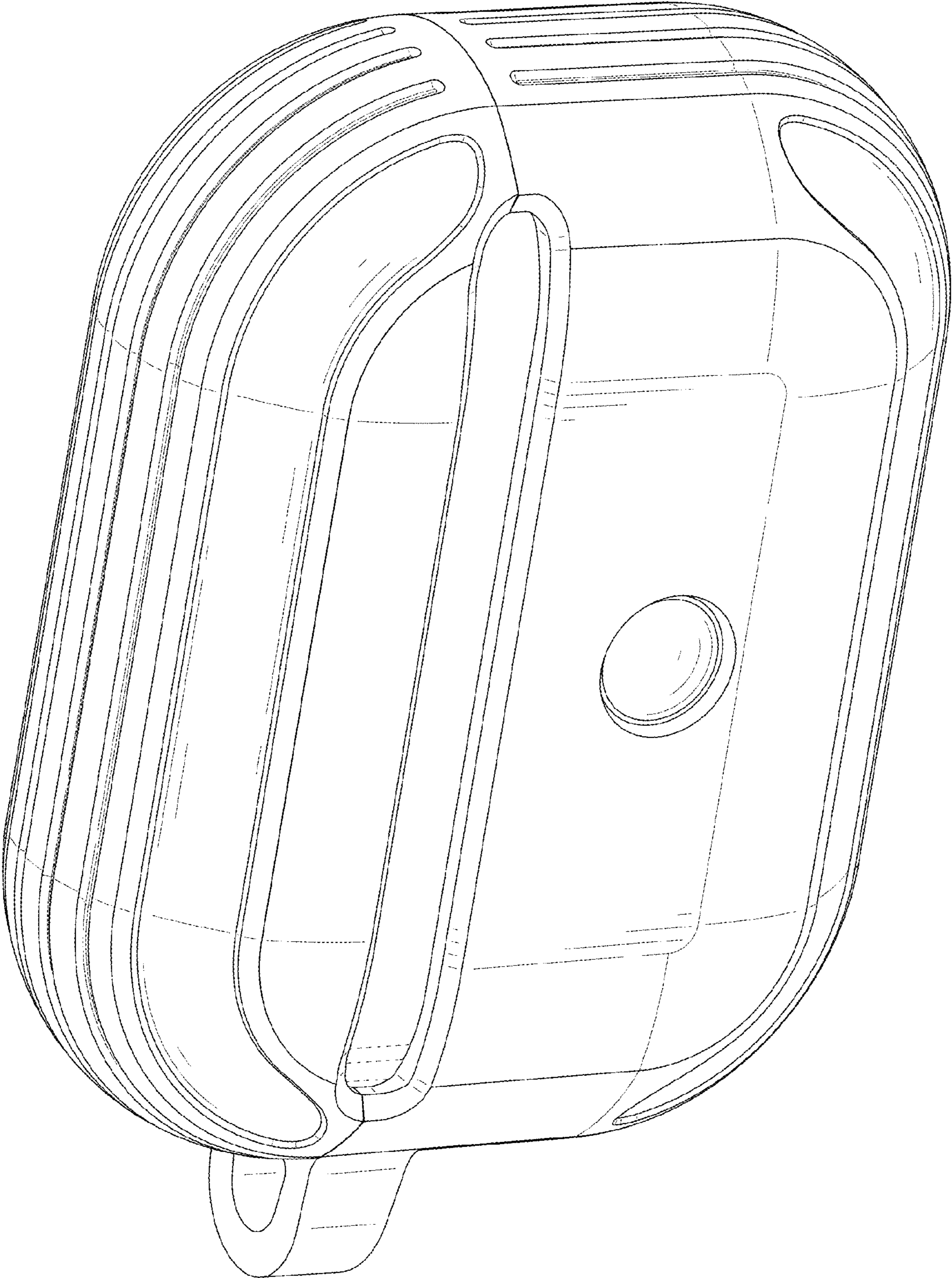


FIG. 1

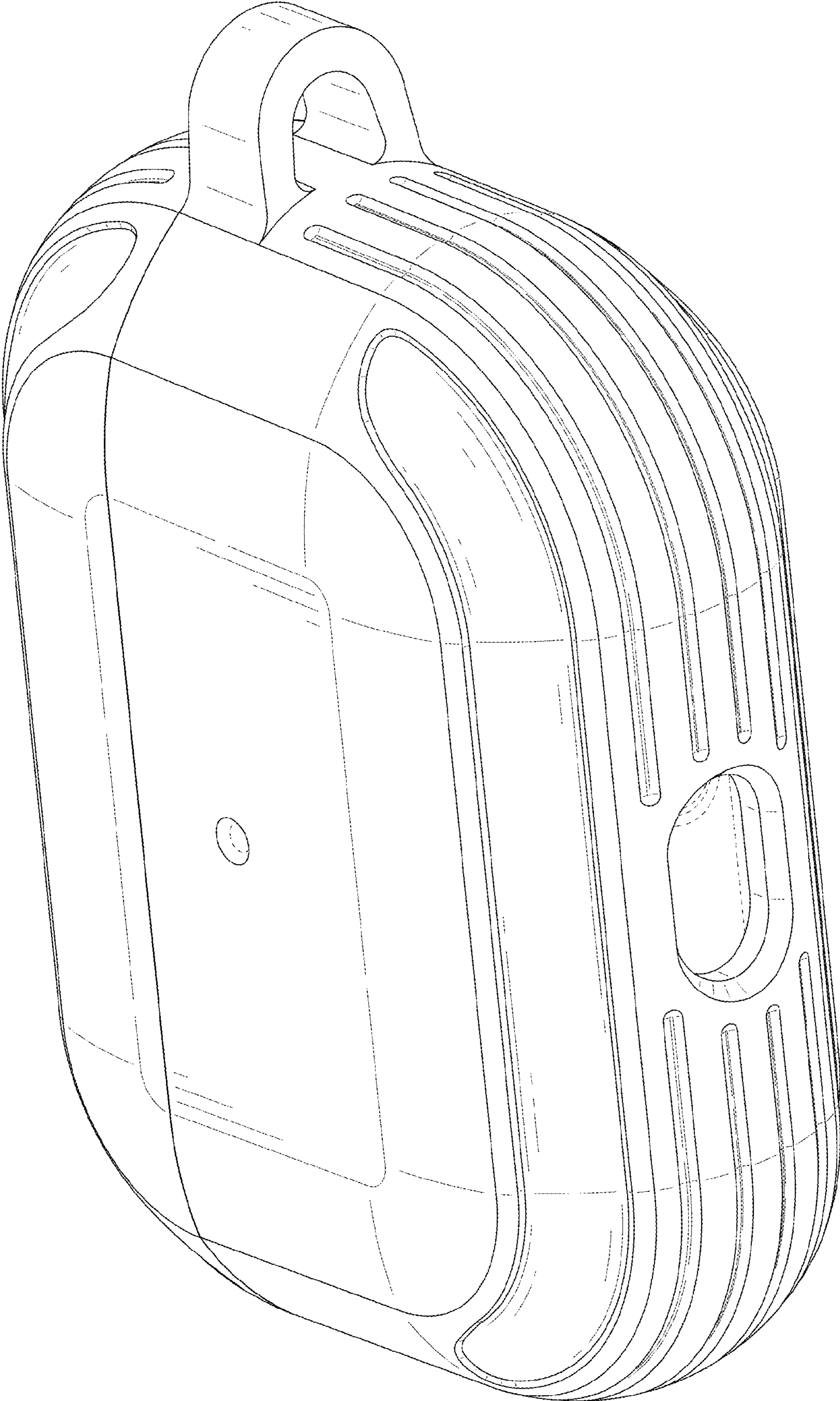


FIG. 2

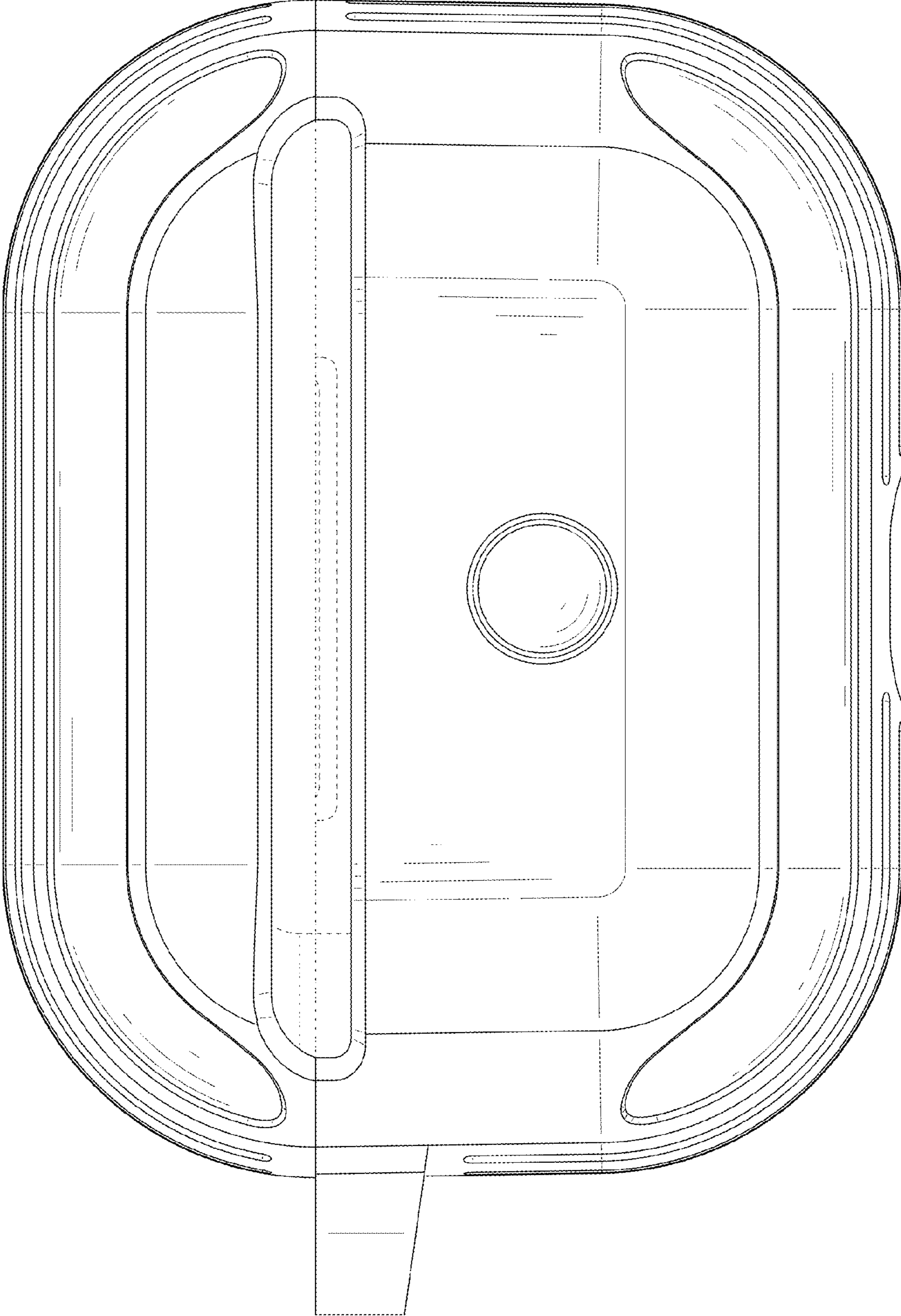


FIG. 3

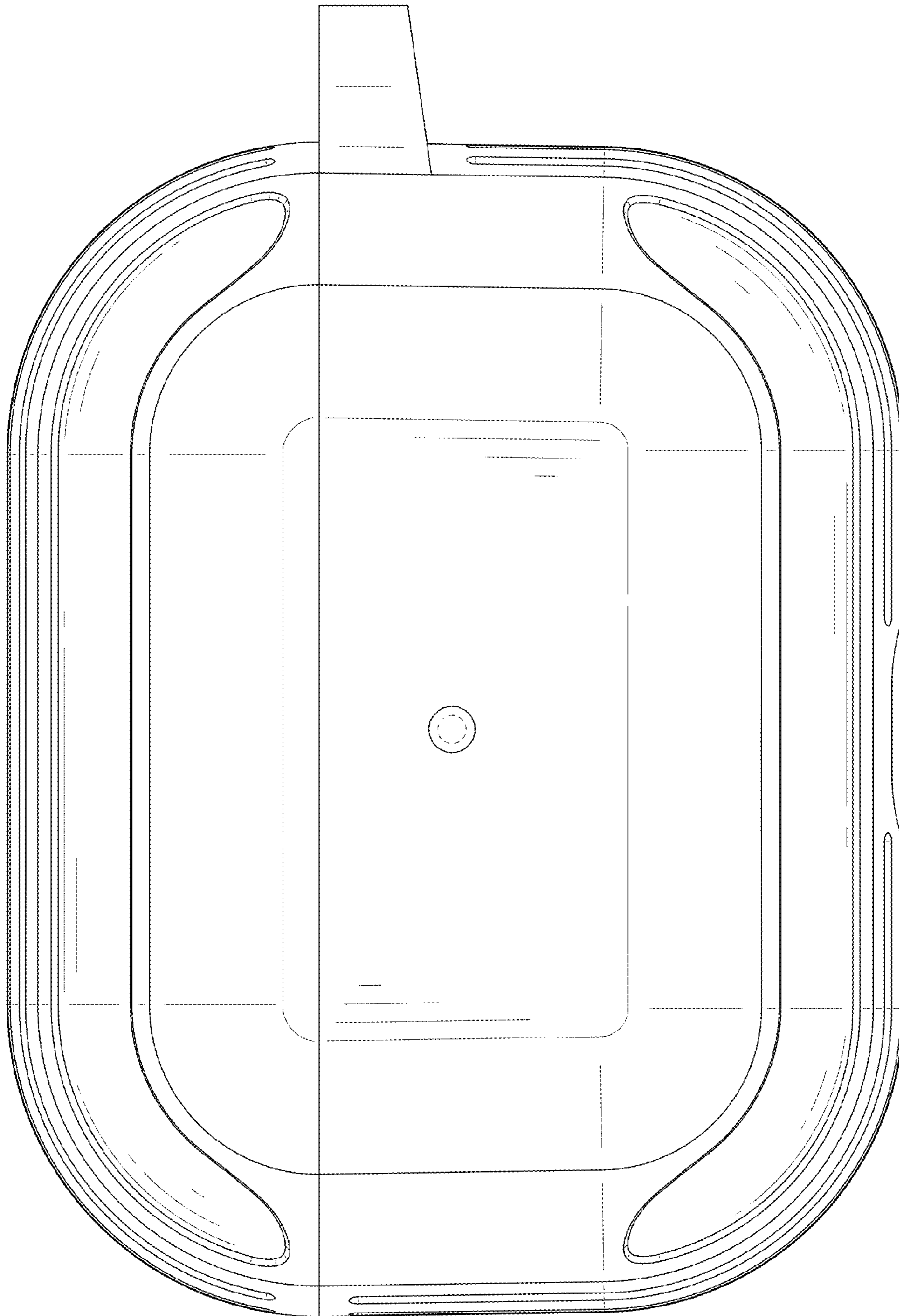


FIG. 4

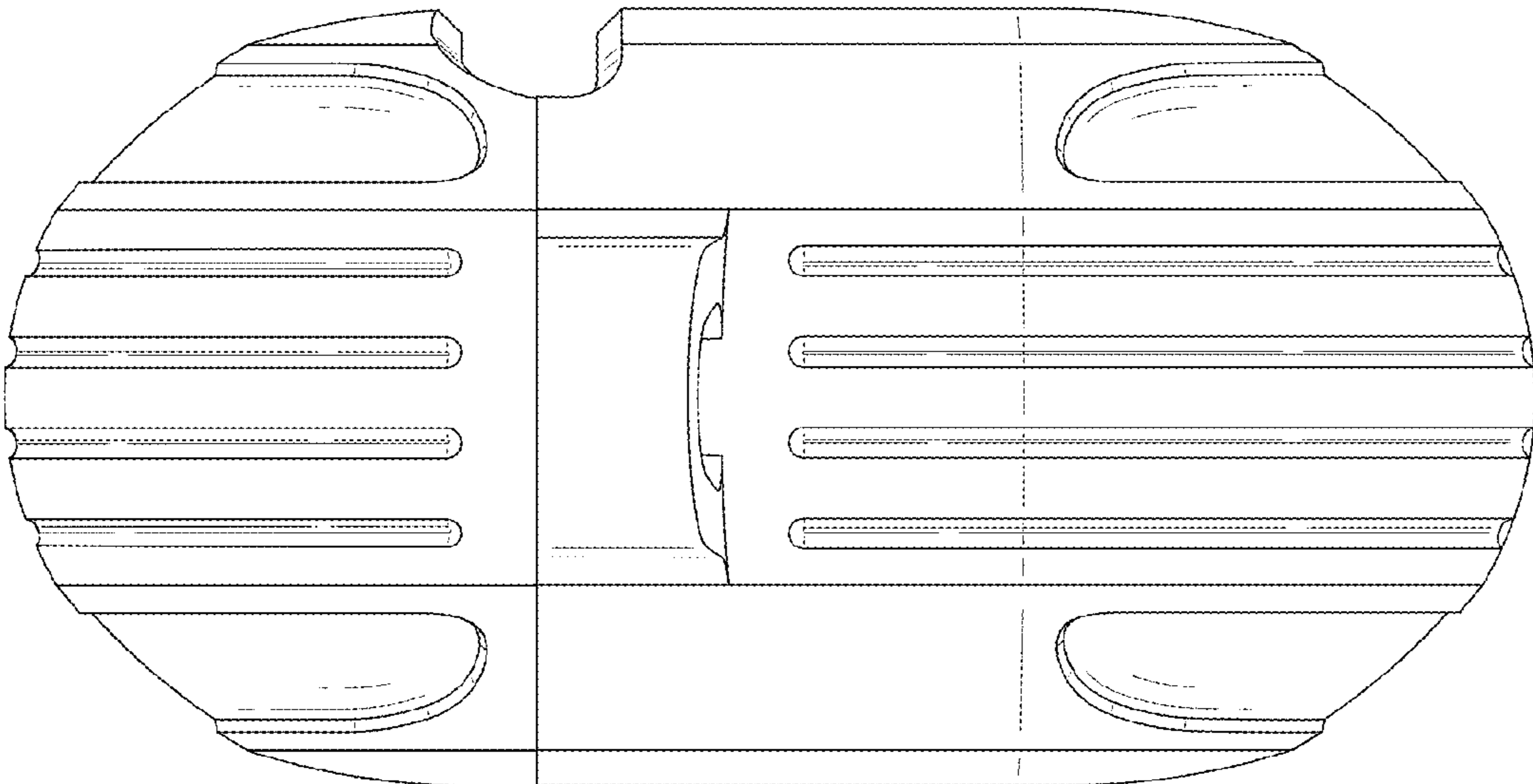


FIG. 5

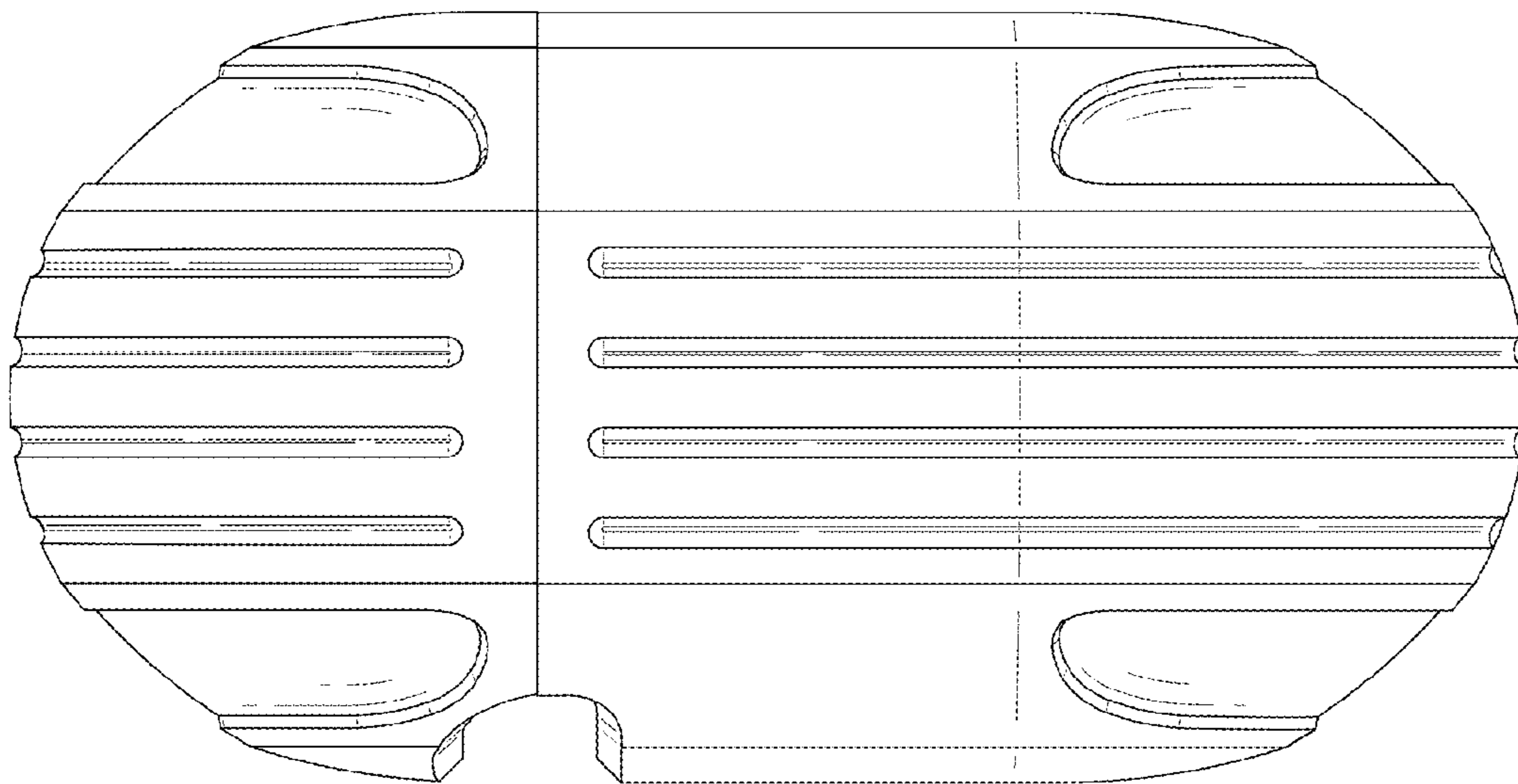


FIG. 6

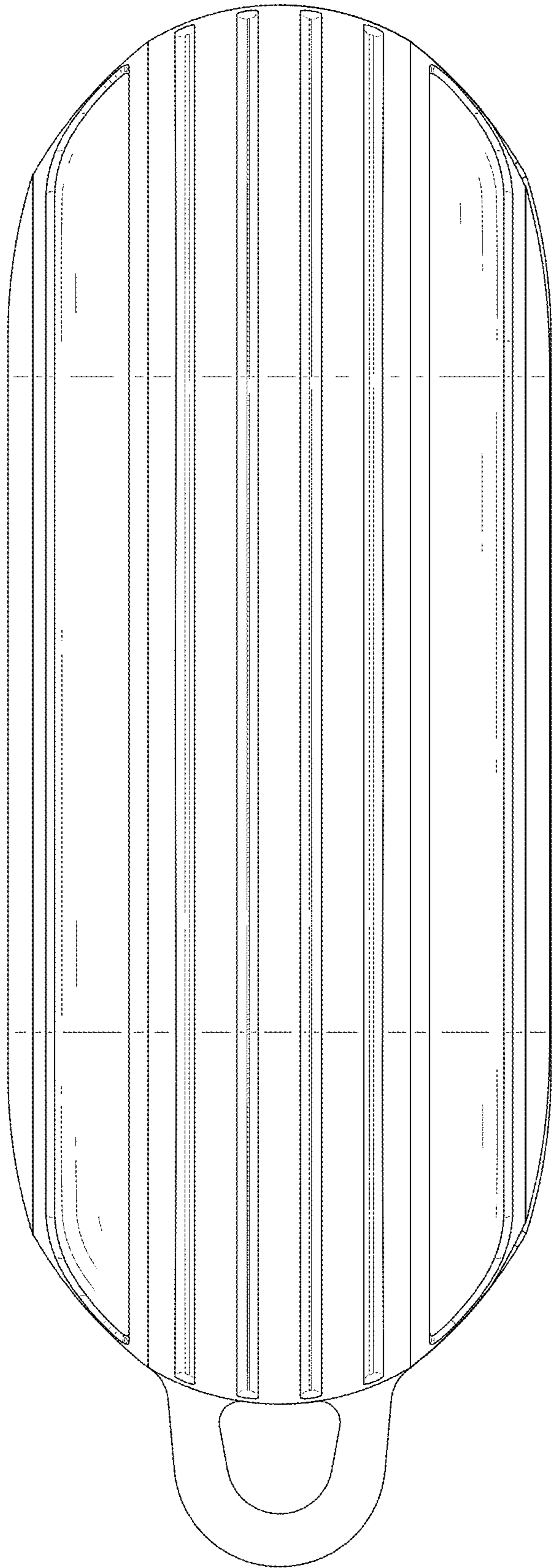


FIG. 7

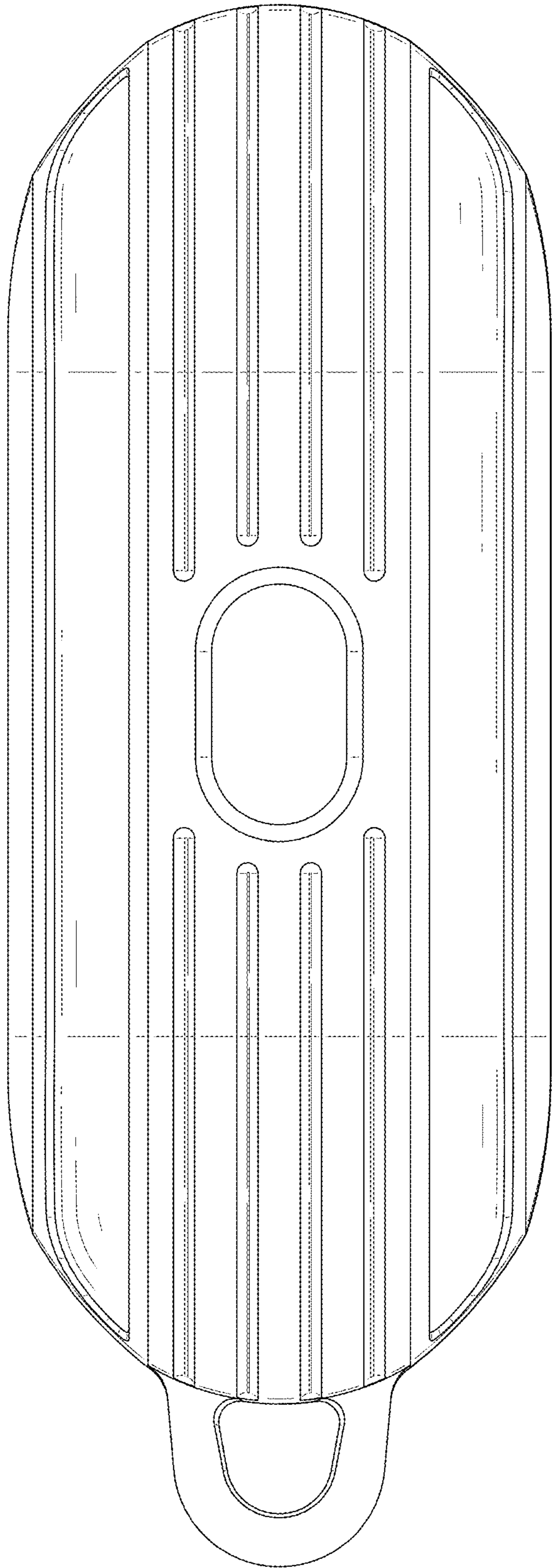


FIG. 8