



US00D914600S

(12) **United States Design Patent** (10) **Patent No.:** **US D914,600 S**
Garvey et al. (45) **Date of Patent:** **** Mar. 30, 2021**

(54) **GENERATOR HOUSING**

(74) *Attorney, Agent, or Firm* — McAndrews, Held & Malloy, Ltd.

(71) Applicant: **Illinois Tool Works Inc.**, Glenview, IL (US)

(72) Inventors: **Paul William Garvey**, Freedom, WI (US); **David Edwin Radtke**, New London, WI (US)

(57) **CLAIM**

The ornamental design for generator housing, as shown and described.

(73) Assignee: **ILLINOIS TOOL WORKS INC.**, Glenview, IL (US)

(**) Term: **15 Years**

DESCRIPTION

(21) Appl. No.: **29/650,035**

(22) Filed: **Jun. 4, 2018**

Related U.S. Application Data

(62) Division of application No. 29/523,831, filed on Apr. 14, 2015, now Pat. No. Des. 819,567.

(51) **LOC (13) Cl.** **13-01**

(52) **U.S. Cl.**
USPC **D13/112**

(58) **Field of Classification Search**
USPC D13/112, 101, 110, 113–118, 122, 123, D13/162, 184, 199; D15/3, 5, 199
CPC F02B 63/04; H02K 3/24; H02K 3/47
See application file for complete search history.

FIG. 1 is a top perspective view of generator housing illustrating a first embodiment of our new design; FIG. 2 is a bottom perspective view thereof; FIG. 3 is a top plan view thereof; FIG. 4 is a bottom plan view thereof; FIG. 5 is a side view thereof, the opposite side view being a mirror image; FIG. 6 is another side view thereof; FIG. 7 is another side view thereof; FIG. 8 is a cross section view thereof taken along the broken line 8-8 in FIG. 3; FIG. 9 is a top perspective view of generator housing illustrating a second embodiment of our new design; FIG. 10 is a bottom perspective view thereof; FIG. 11 is a top plan view thereof; FIG. 12 is a bottom plan view thereof; FIG. 13 is a side view thereof, the opposite side view being a mirror image; FIG. 14 is another side view thereof; FIG. 15 is another side view thereof; and, FIG. 16 is a cross section view thereof taken along the broken line 16-16 in FIG. 11. The dashed broken lines in the drawings illustrate portions of the generator housing that form no part of the claimed design. For clarity of illustration, the cross section views in FIGS. 8 and 16 show only the material at the plane of the cross section and not material beyond the plane of the cross section.

(56) **References Cited**

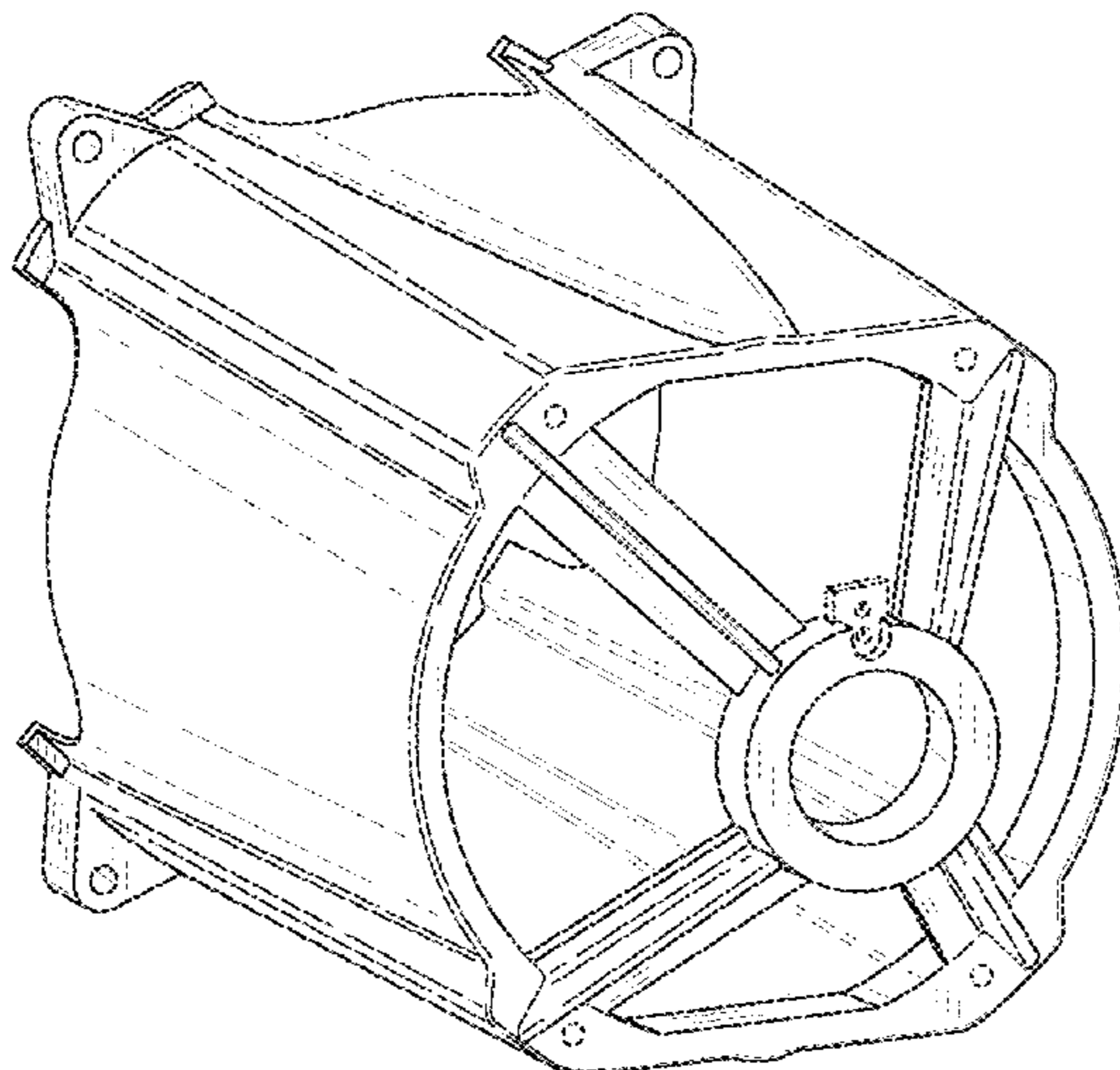
U.S. PATENT DOCUMENTS

D25,033 S	12/1895	Jackson et al.
D198,375 S	6/1964	Cunningham et al.
D234,429 S	3/1975	Hershberger
D236,898 S	9/1975	Holther
D239,562 S	4/1976	Matousek et al.
D306,009 S	2/1990	Mintz et al.
6,124,567 A	9/2000	Feldhausen et al.
D502,917 S	3/2005	Bird et al.
D596,120 S	7/2009	Miyaji et al.

(Continued)

Primary Examiner — Jennifer O King

1 Claim, 10 Drawing Sheets



(56)

References Cited

U.S. PATENT DOCUMENTS

D597,943 S	8/2009	Lin et al.	
D603,795 S	11/2009	Kono	
D672,311 S	12/2012	Labermeier et al.	
D675,649 S	2/2013	Sands	
D762,579 S	8/2016	Wilkins	
D773,995 S *	12/2016	Jabaji	D13/112
D786,794 S *	5/2017	McCormick	D13/112
D797,048 S *	9/2017	Barekar	D13/122
D806,650 S *	1/2018	Chang	D13/112
D811,331 S *	2/2018	Garvey	D13/122
D817,276 S *	5/2018	Ozaki	D13/112
D819,567 S *	6/2018	Garvey	D13/112
D840,339 S *	2/2019	Barekar	D13/122
D842,246 S *	3/2019	Gan	D13/112
D847,034 S *	4/2019	Luman	D12/114
D860,942 S *	9/2019	Hilker	D13/112
D862,293 S *	10/2019	McGinley	D12/114

* cited by examiner

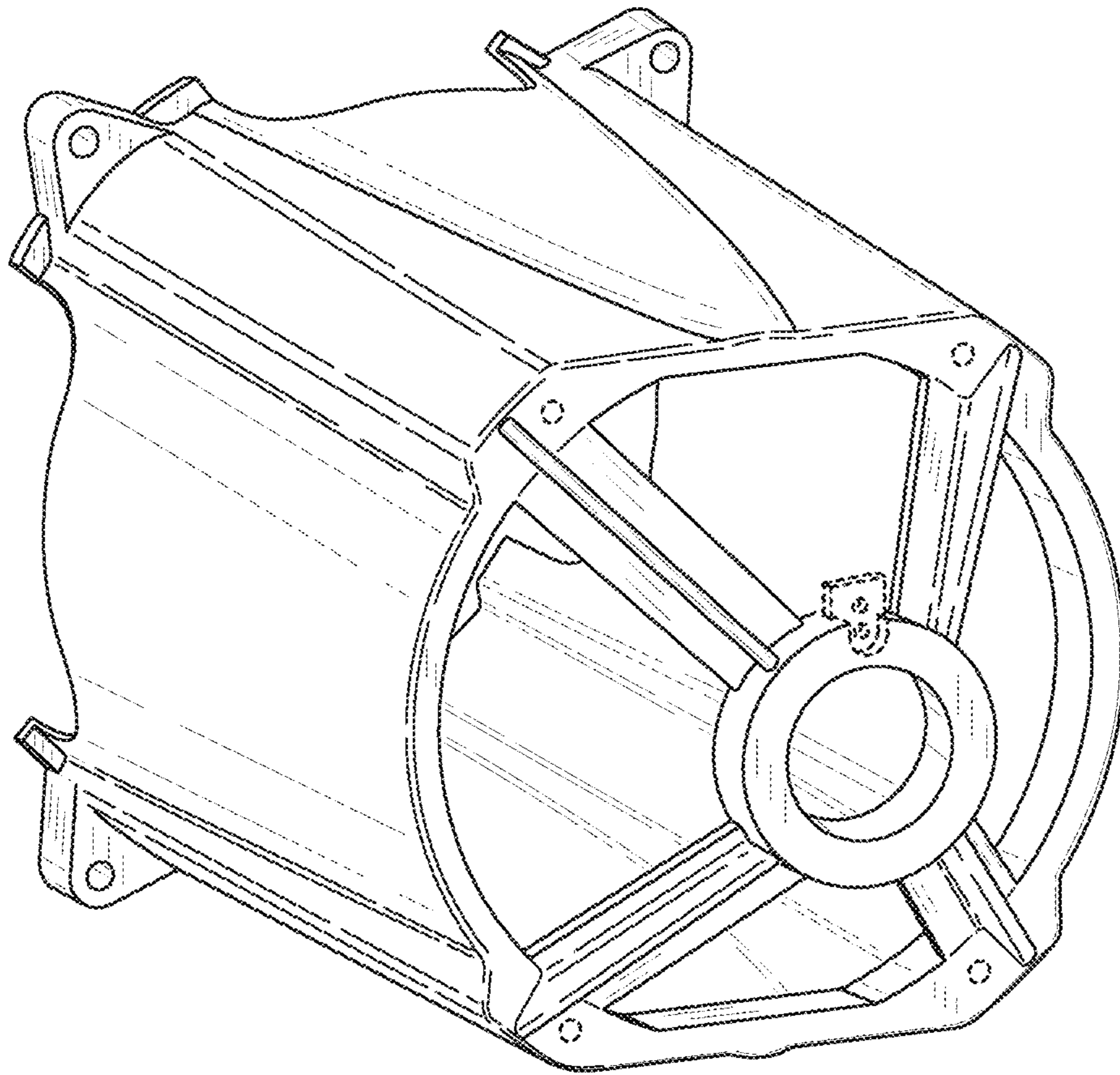


FIG. 1

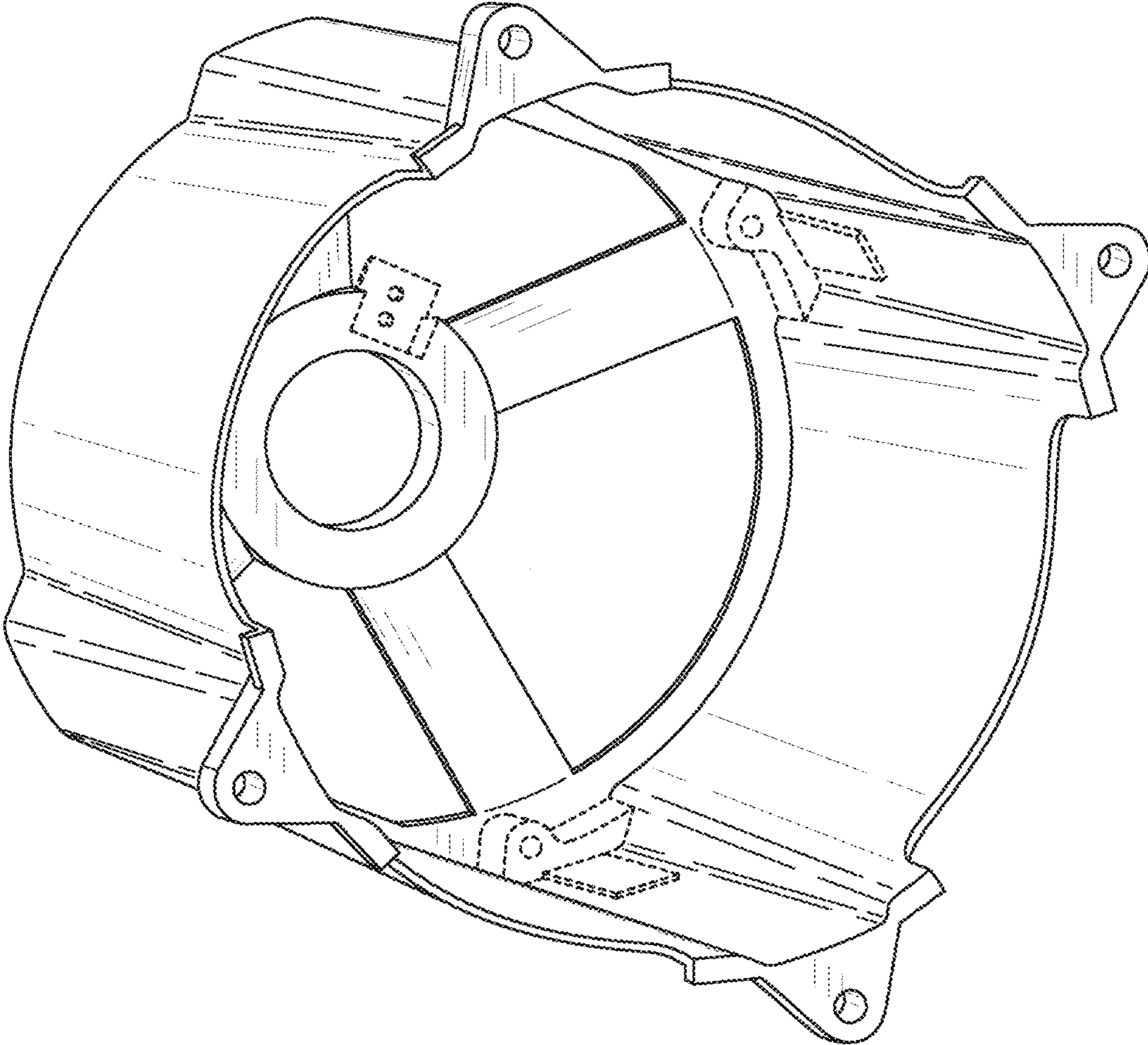


FIG. 2

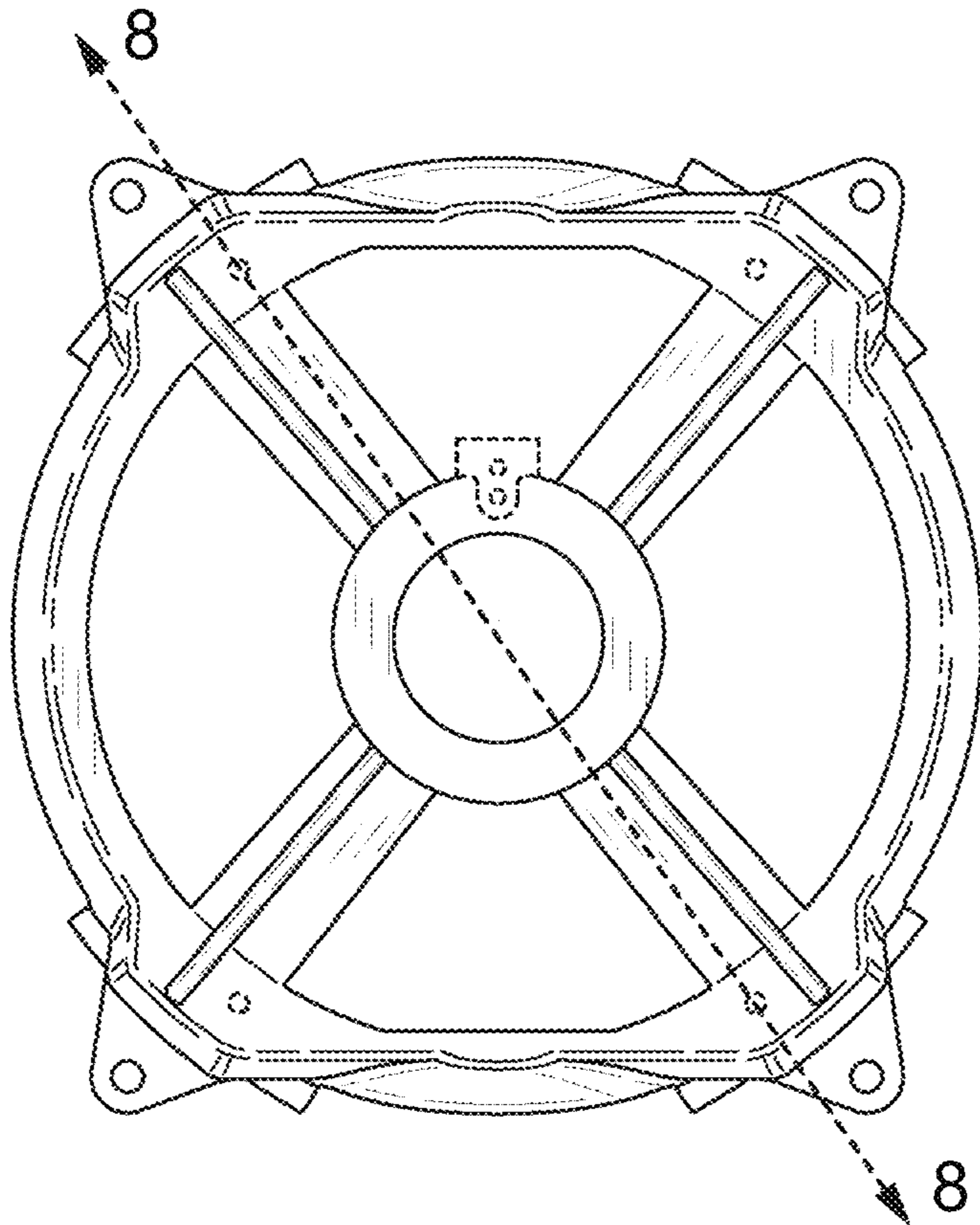


FIG. 3

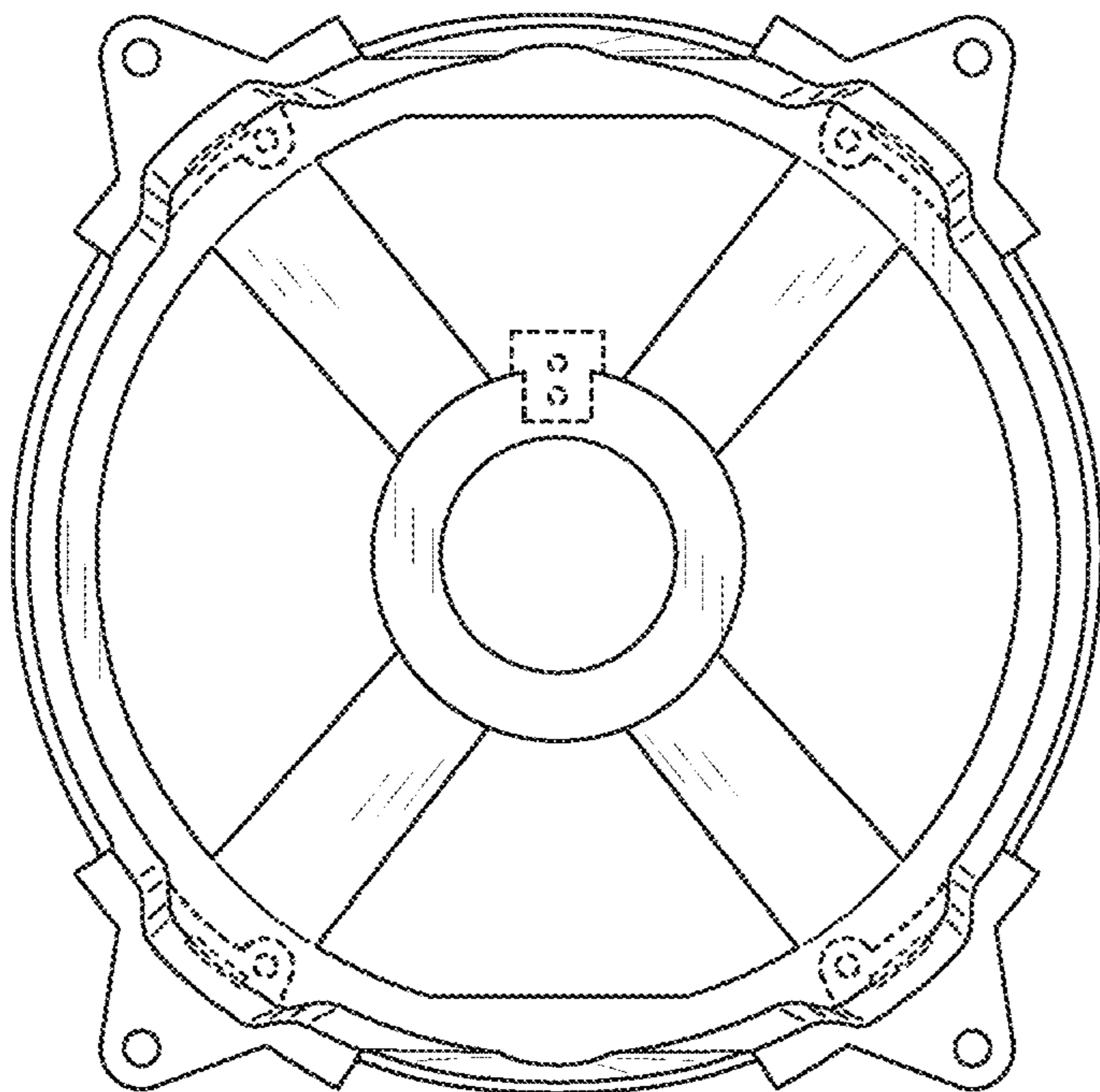


FIG. 4

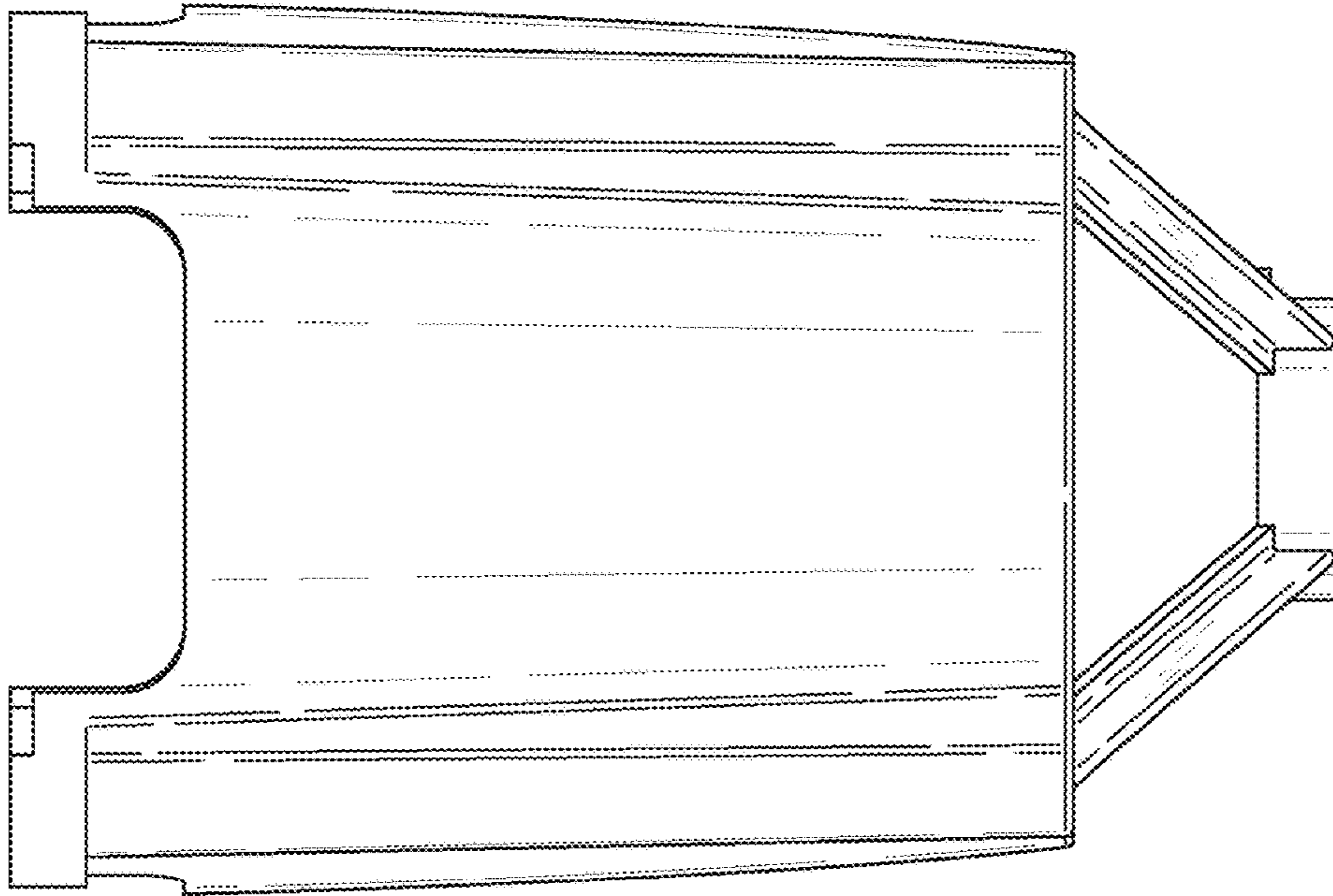


FIG. 5

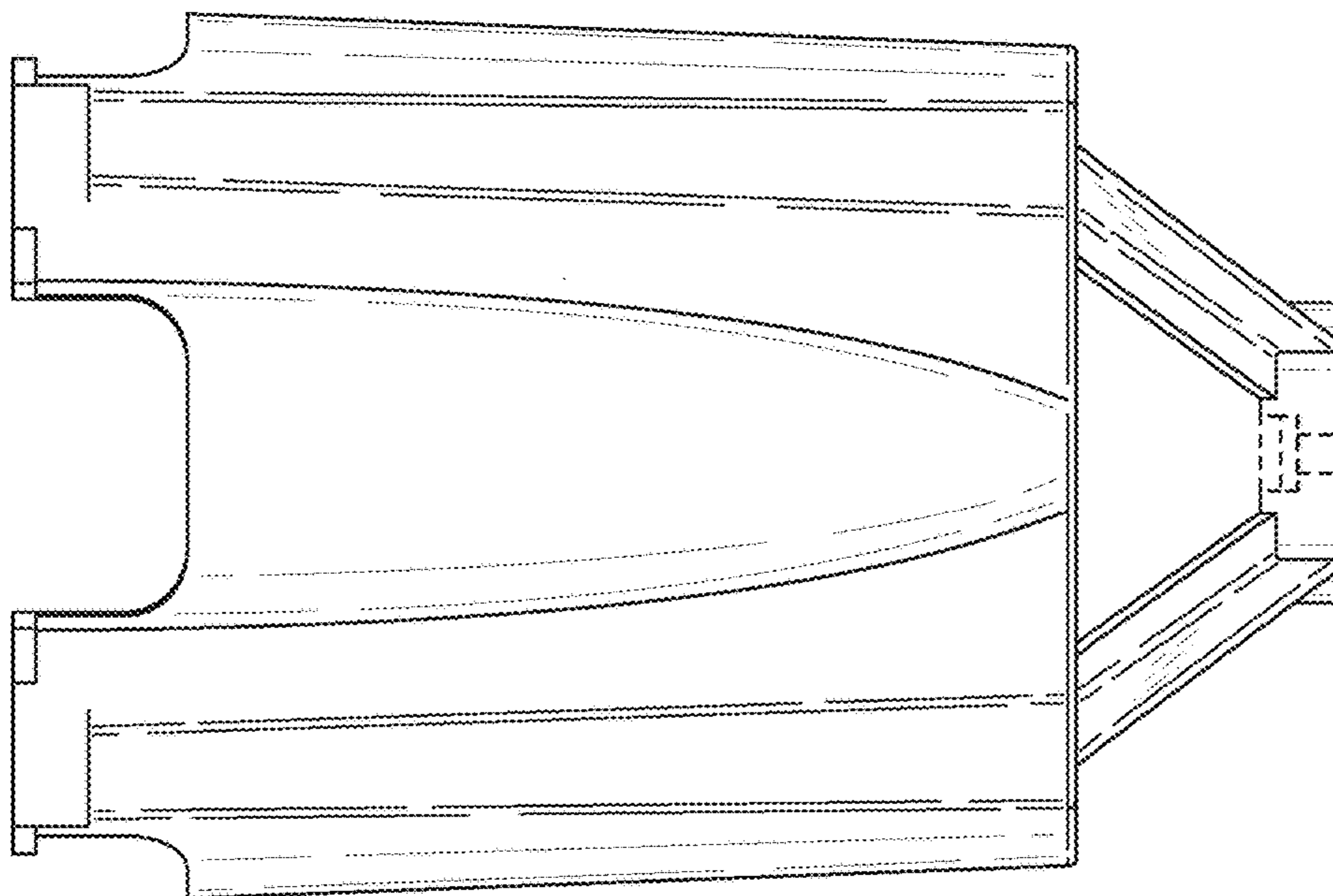


FIG. 6

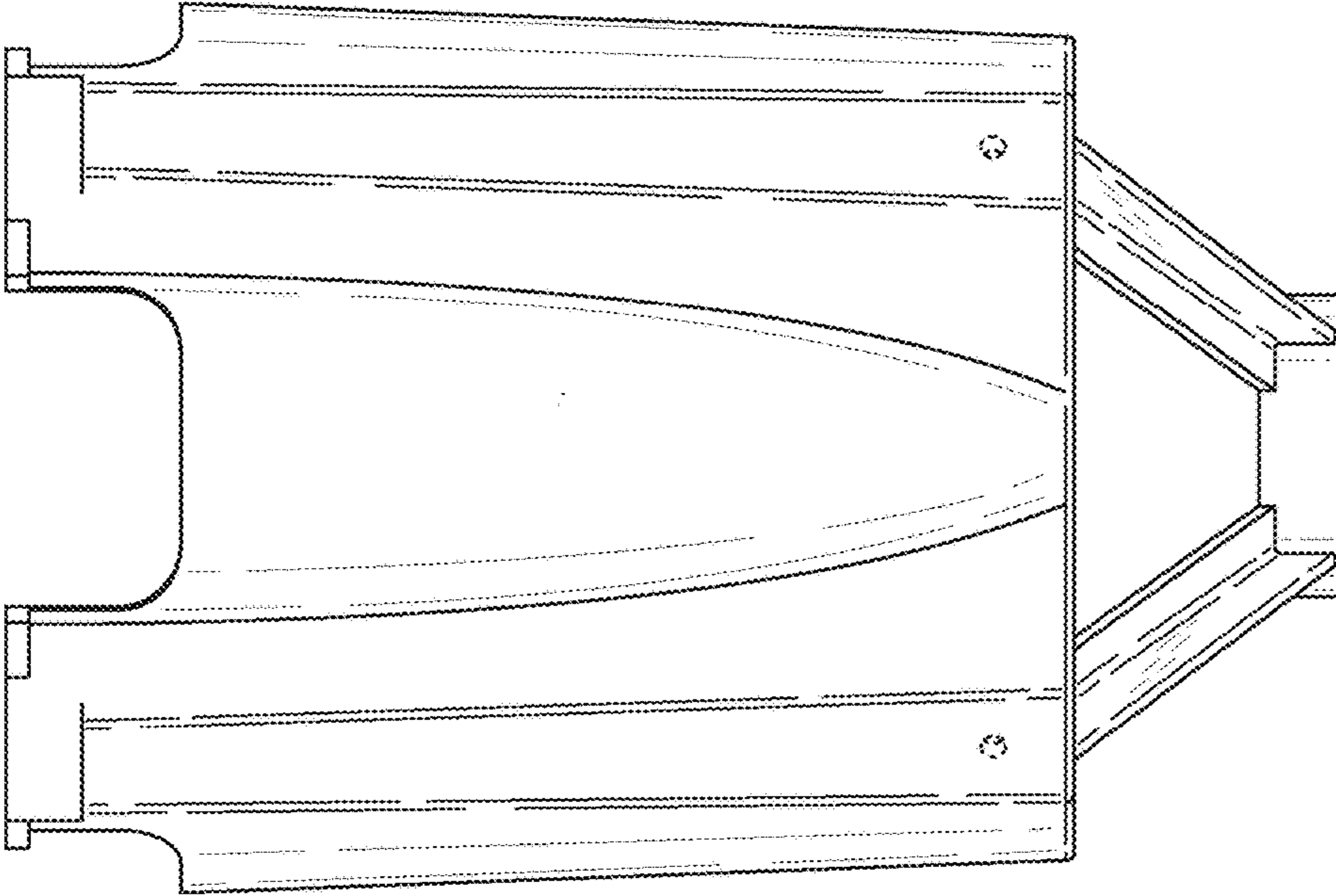


FIG. 7

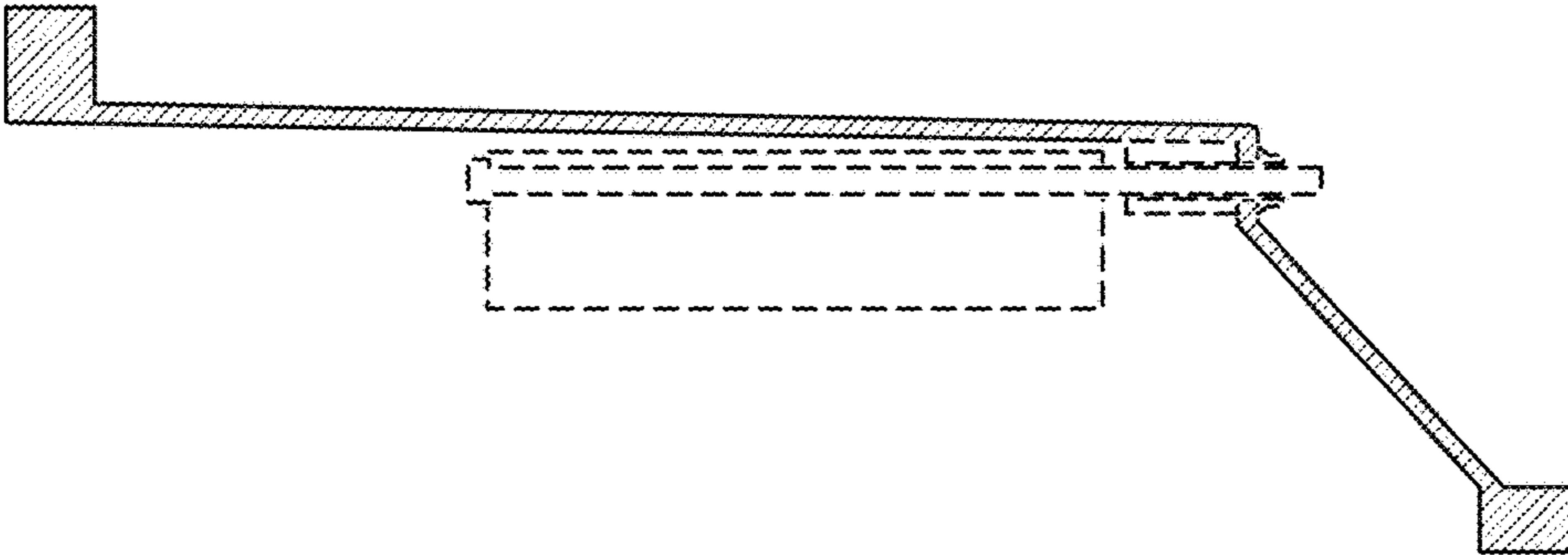
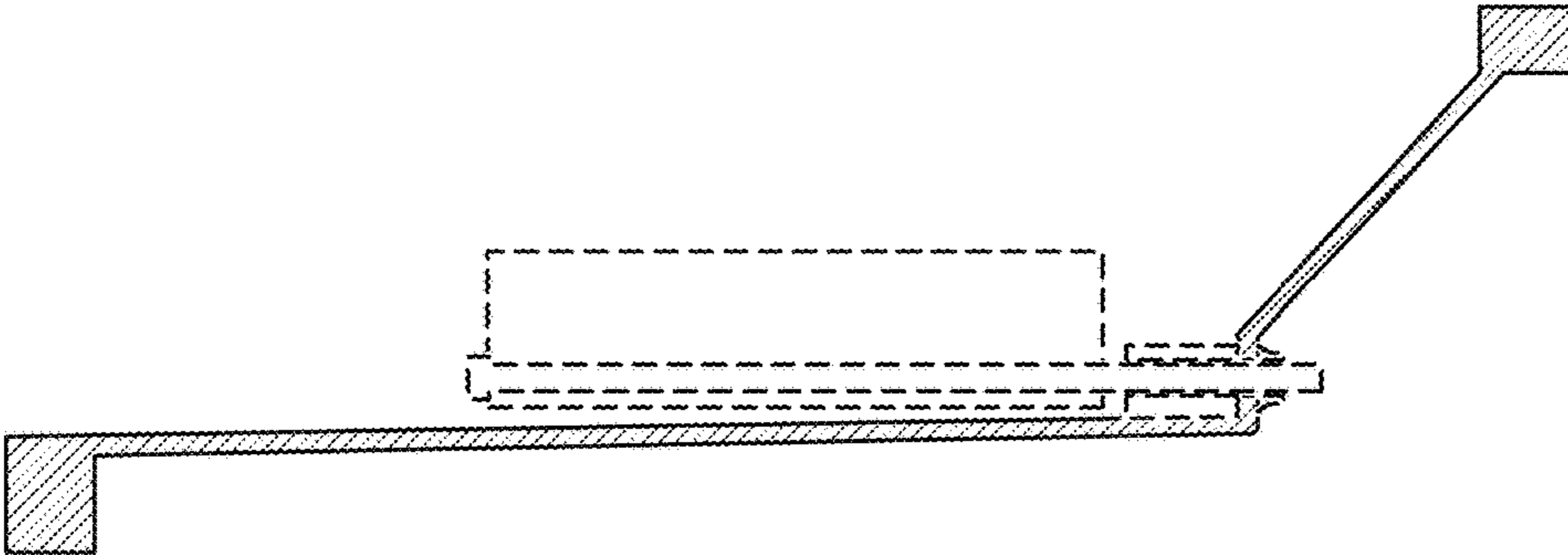


FIG. 8



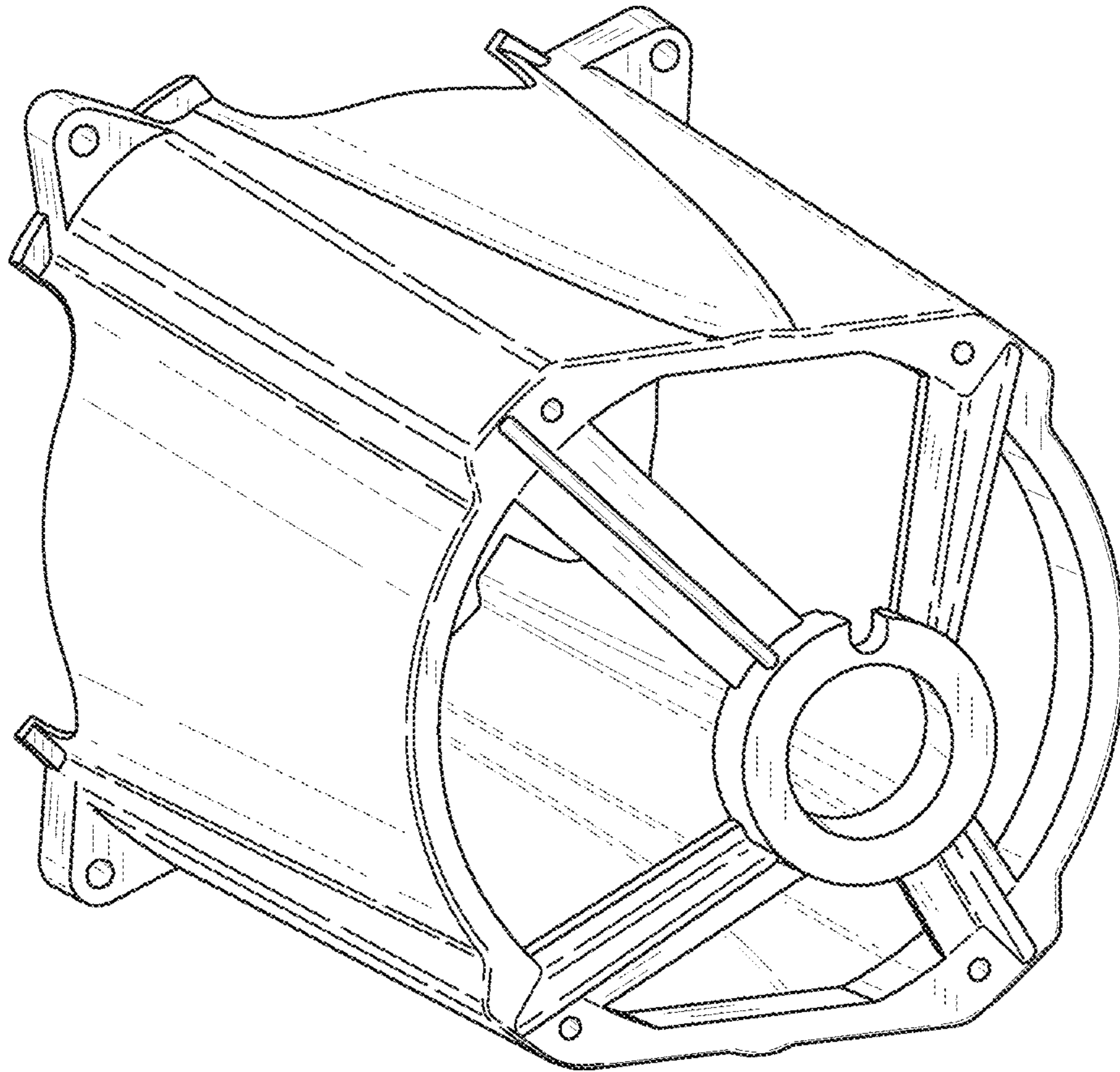


FIG. 9

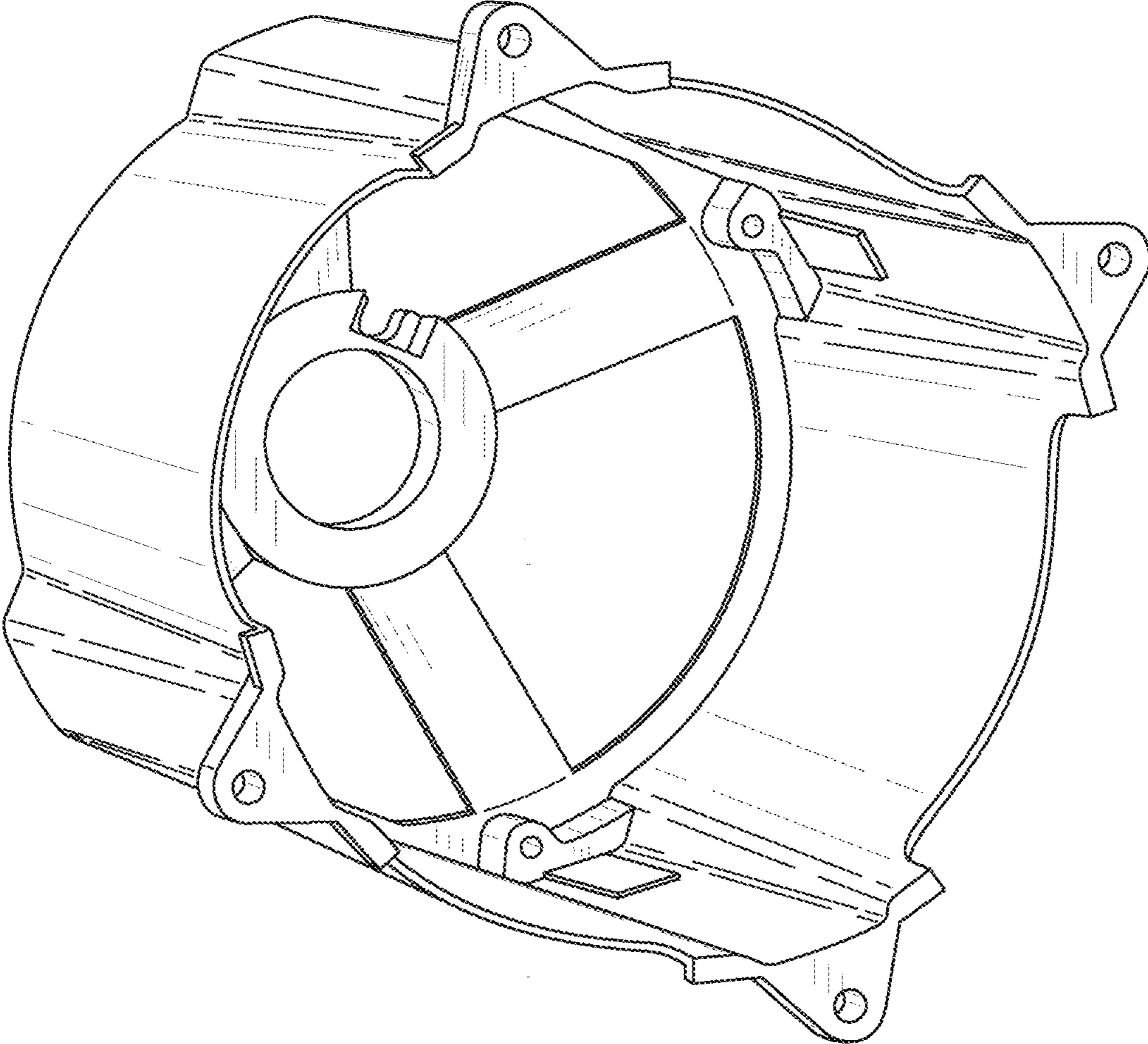


FIG. 10

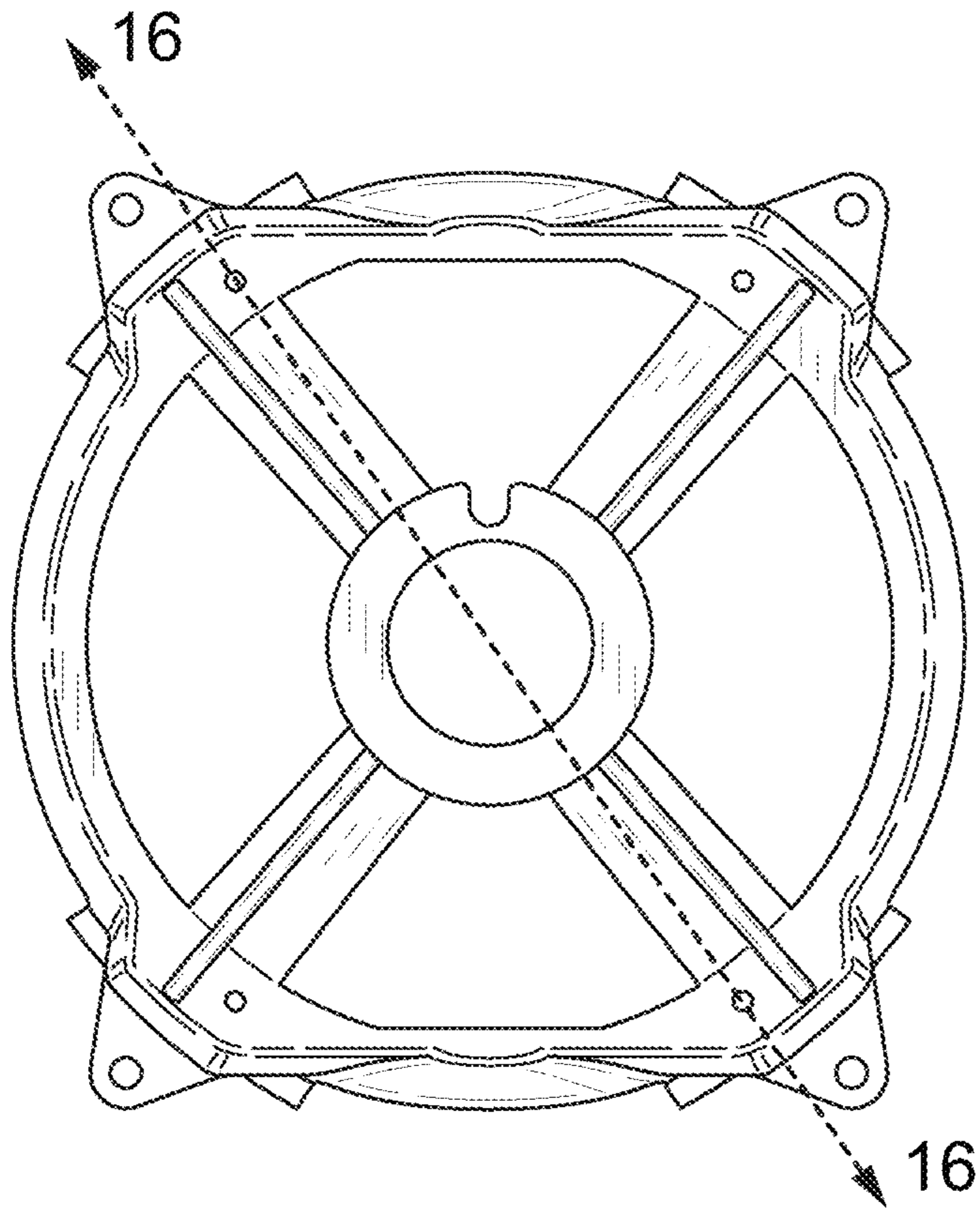


FIG. 11

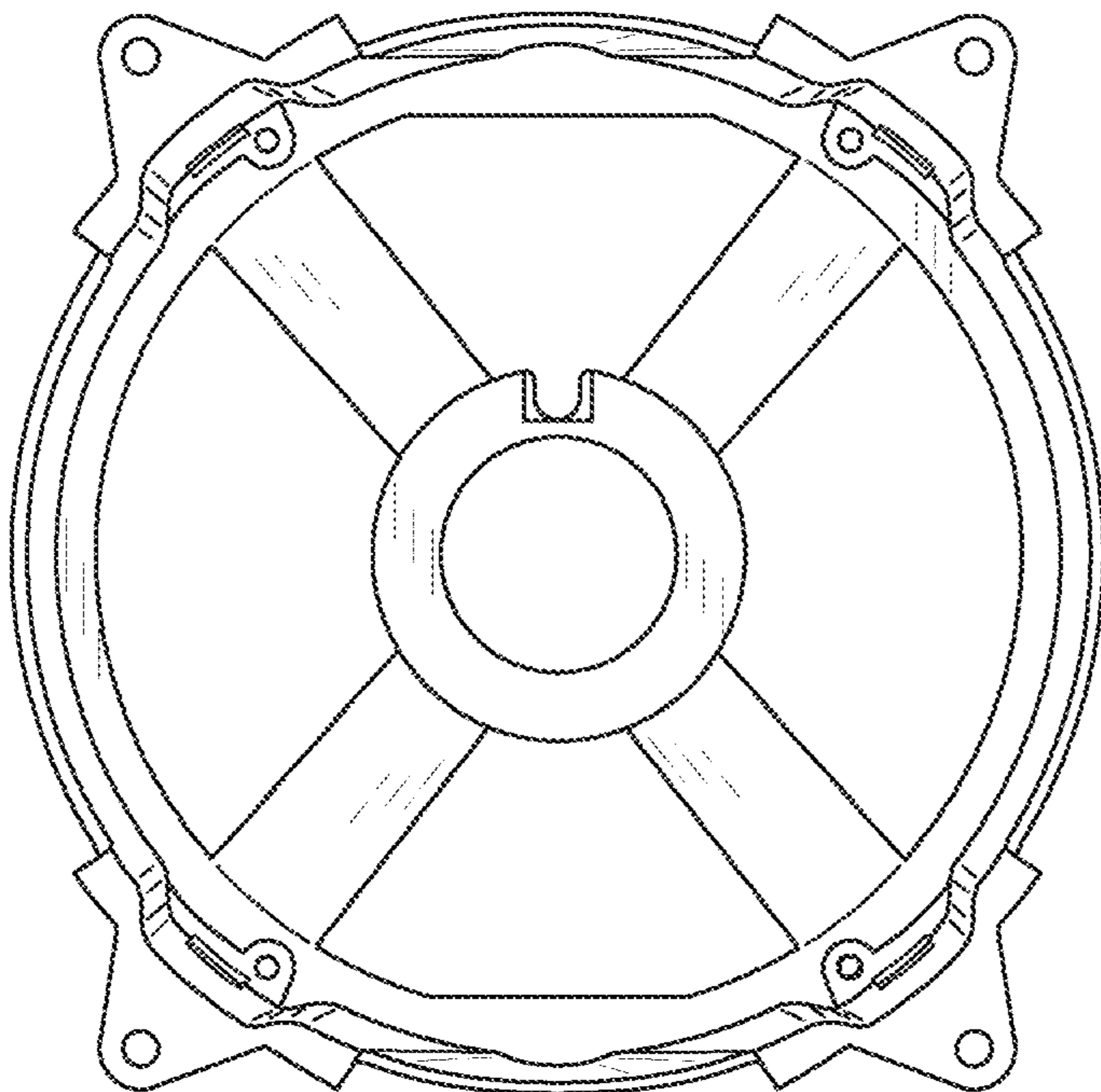


FIG. 12

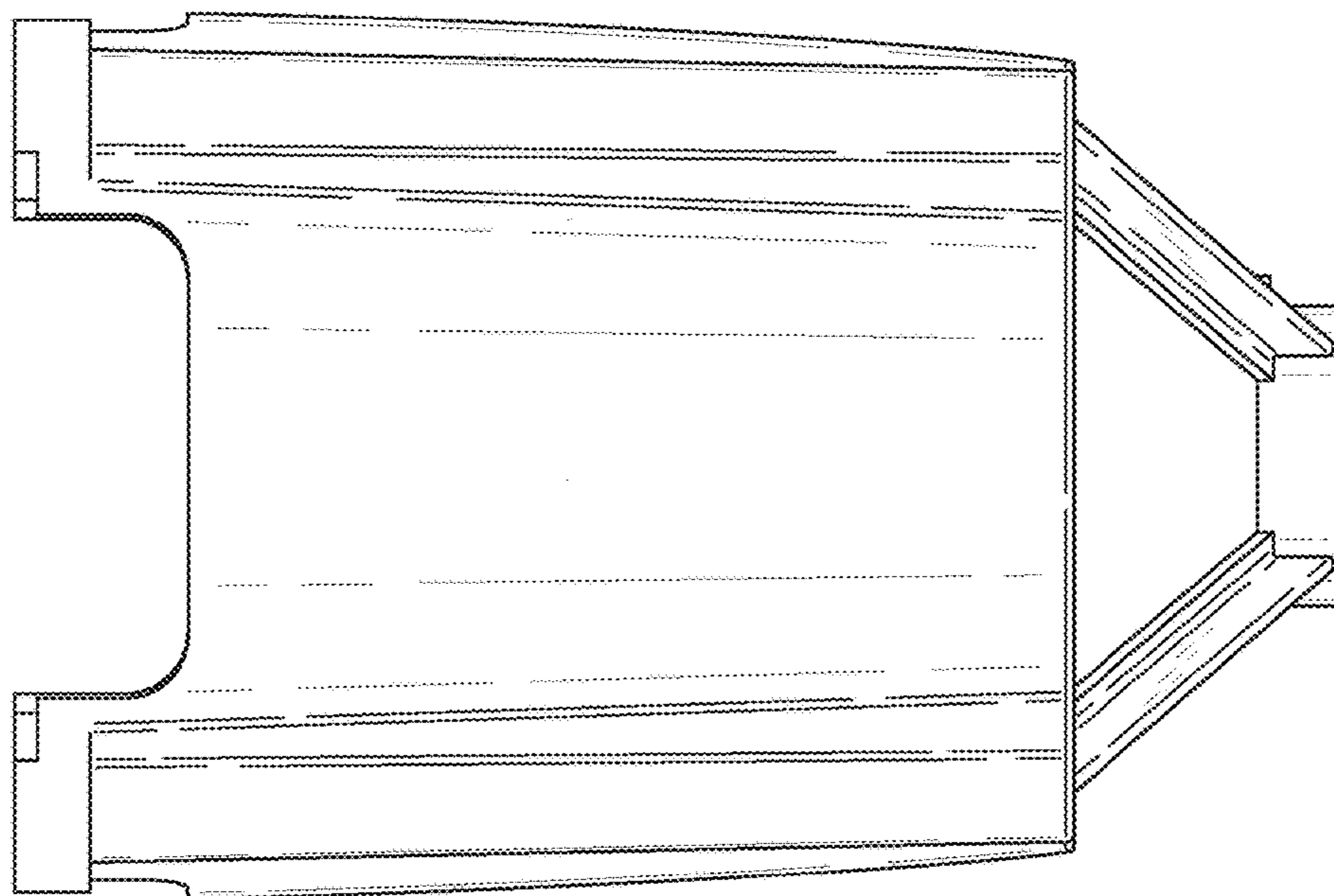


FIG. 13

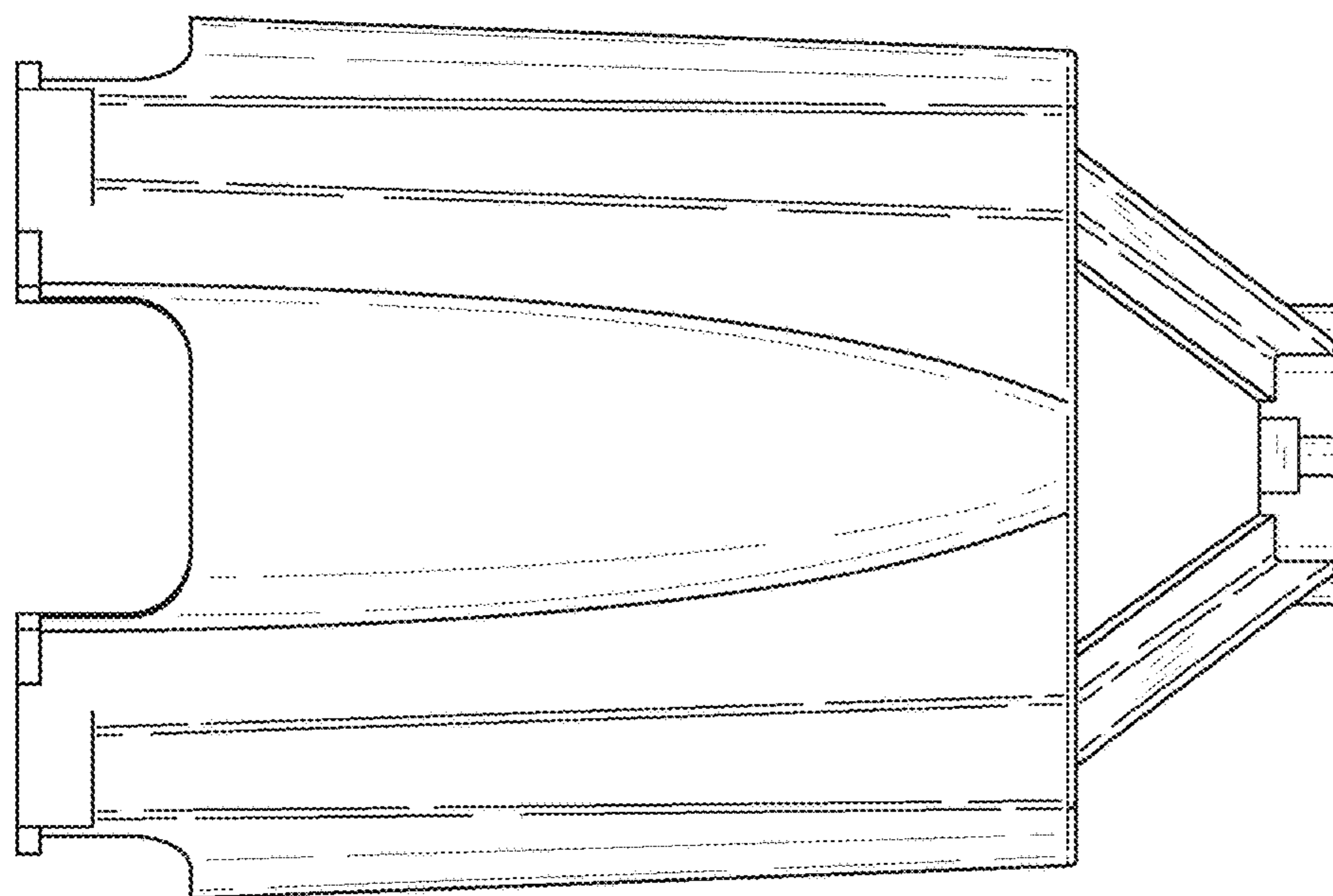


FIG. 14

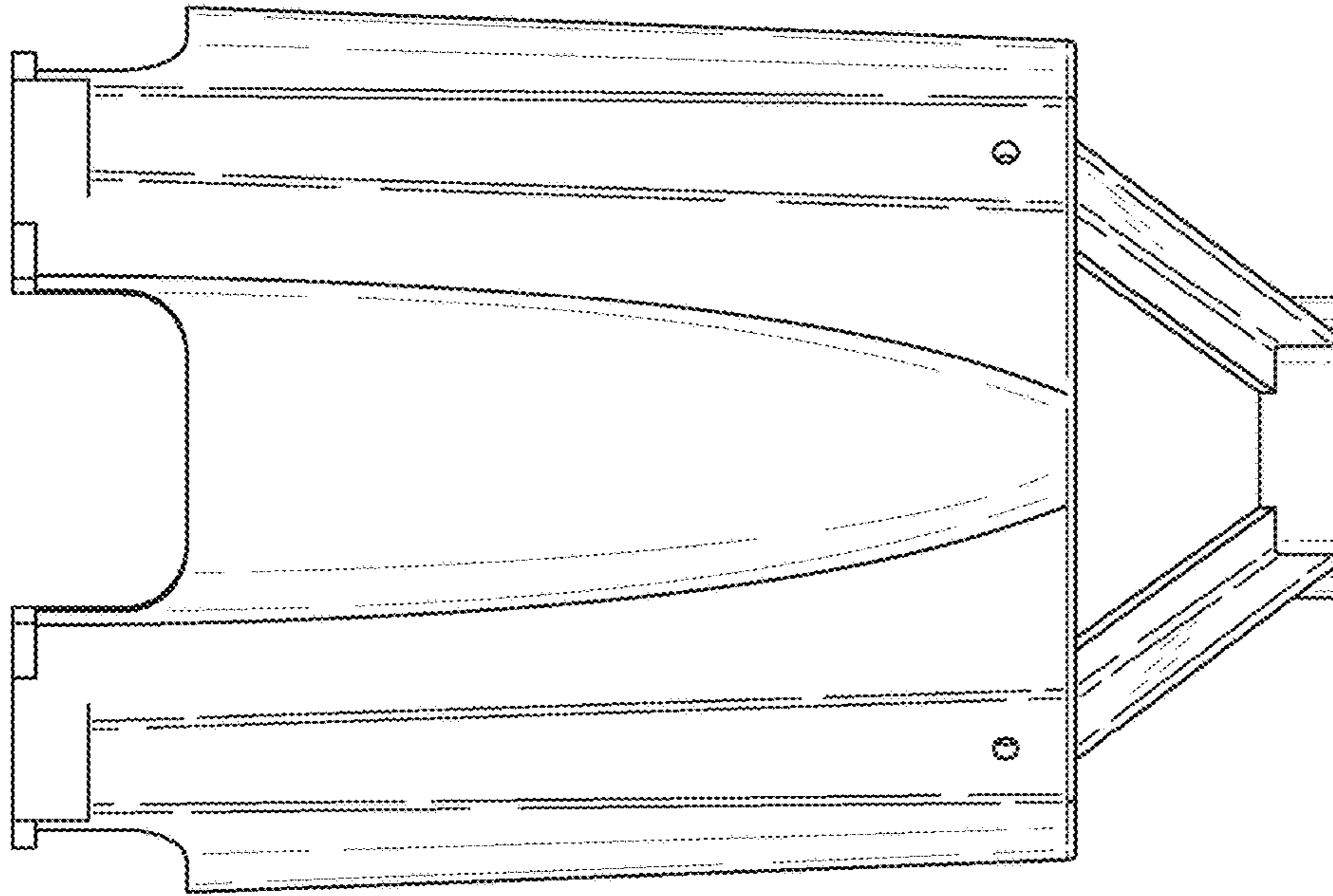


FIG. 15

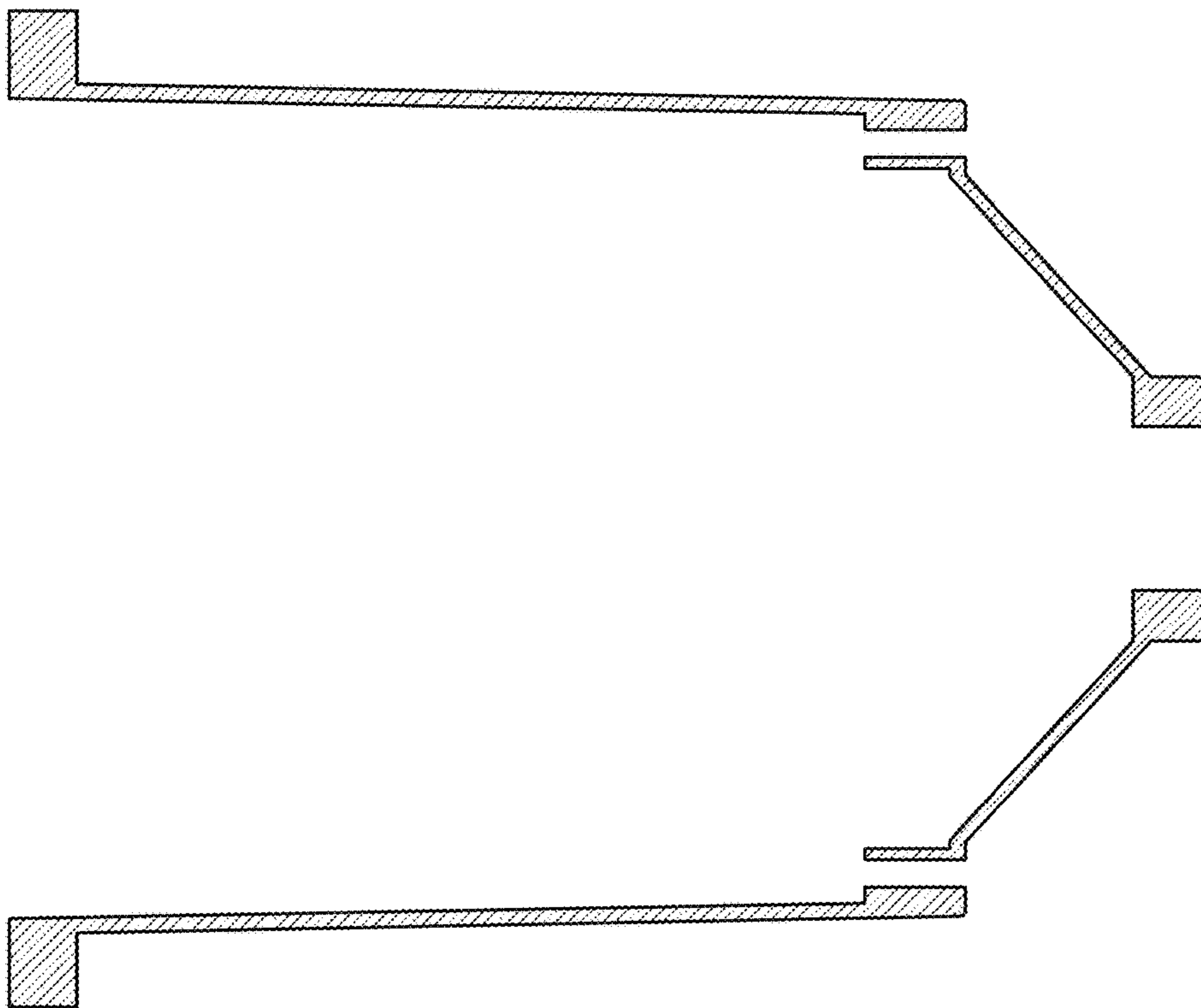


FIG. 16