



US00D914597S

(12) **United States Design Patent**
Tachibana et al.

(10) **Patent No.:** **US D914,597 S**
(45) **Date of Patent:** **** Mar. 30, 2021**

(54) **INVERTER**

FOREIGN PATENT DOCUMENTS

(71) Applicant: **Mitsubishi Electric Corporation**,
Tokyo (JP)

CN 1091681 A 9/1994
CN 1313798 A 9/2001

(Continued)

(72) Inventors: **Atsuki Tachibana**, Tokyo (JP);
Hidenori Suzuki, Tokyo (JP); **Atsuhiko Suzuki**, Tokyo (JP)

OTHER PUBLICATIONS

Search Report issued by the China National Intellectual Property Administration on Nov. 19, 2019, which corresponds to Chinese Patent Application No. 201780048782.8 and is related to U.S. Appl. No. 16/320,448 with English language translation.

(Continued)

(73) Assignee: **Mitsubishi Electric Corporation**,
Tokyo (JP)

(**) Term: **15 Years**

(21) Appl. No.: **29/722,793**

Primary Examiner — Derrick E Holland

(22) Filed: **Jan. 31, 2020**

(74) *Attorney, Agent, or Firm* — Studebaker & Brackett PC

(30) **Foreign Application Priority Data**

(57) **CLAIM**

The ornamental design for an inverter, as shown and described.

Sep. 9, 2019 (JP) 2019-020086

DESCRIPTION

(51) **LOC (13) Cl.** **13-02**

(52) **U.S. Cl.**
USPC **D13/110; D13/118**

(58) **Field of Classification Search**
USPC D13/110, 101, 123, 162, 164, 174, 184,
D13/199; D15/149; D8/307, 310, 311,
D8/312, 341

CPC H02M 7/00; H02M 7/02; H02M 7/003;
H05K 5/00; H05K 5/0017; H05K 7/00;
H05K 7/1427; H05K 7/20918

See application file for complete search history.

FIG. 1. is a front perspective view of the front, right, and top sides of an inverter showing our new design;
FIG. 2. is a front view thereof;
FIG. 3. is a rear view thereof;
FIG. 4. is a top plan view thereof;
FIG. 5. is a bottom plan view thereof;
FIG. 6. is a right side view thereof; and,
FIG. 7. is a left side view thereof.

FIG. 8. is an enlarged perspective view of a part 8-8 shown in FIG. 1;

FIG. 9. is an enlarged front view of a part 9-9 shown in FIG. 2; and,

FIG. 10. is an enlarged cross-sectional view of a cut part 10 at a part 10-10 shown in FIG. 6.

The broken lines shown represent portions of the inverter and form no part of the claimed design.

The dash-dot broken lines represent boundaries of the enlarged parts and form no part of the claimed design.

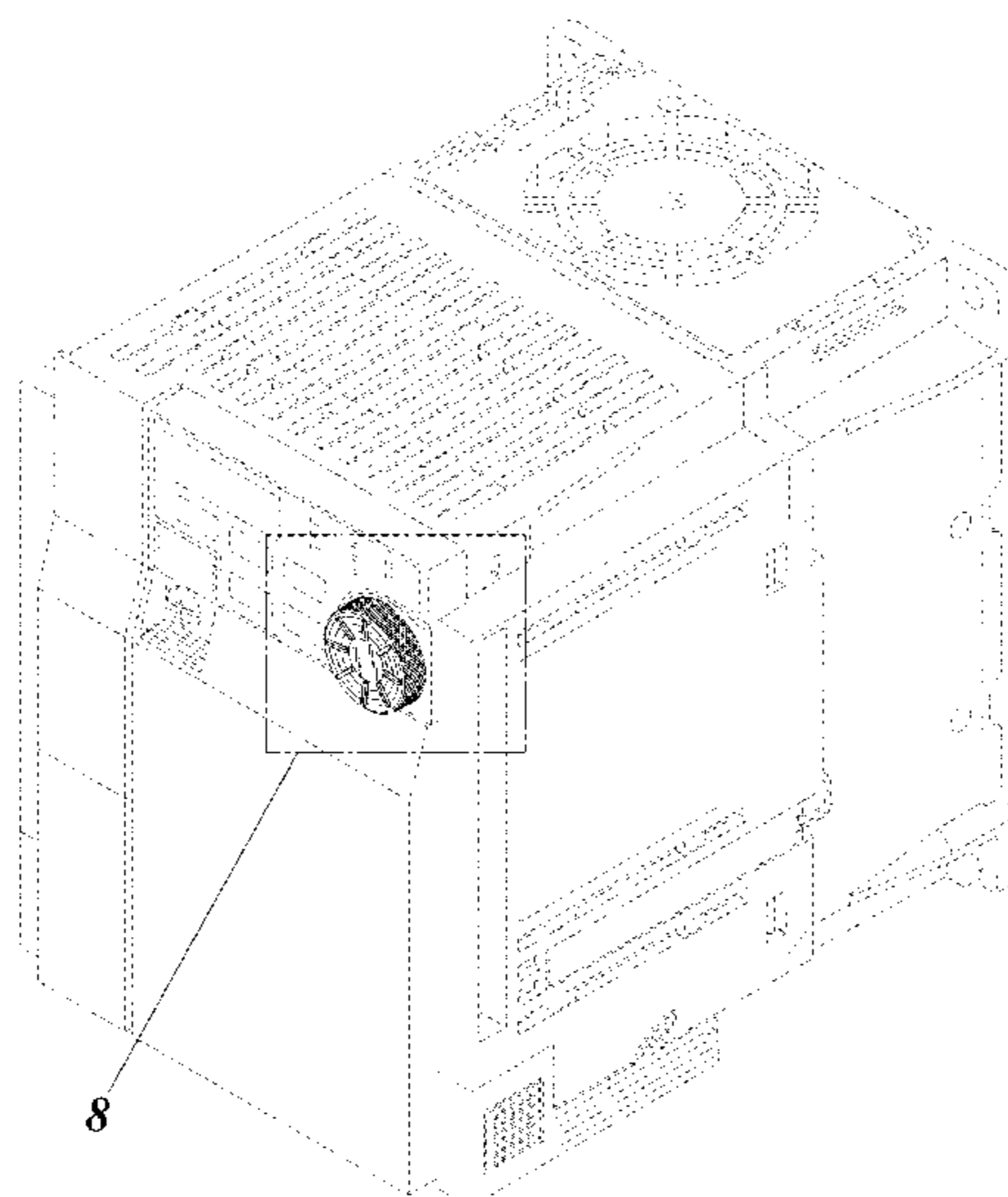
(56) **References Cited**

U.S. PATENT DOCUMENTS

4,620,263 A * 10/1986 Ito H05K 7/20918
361/690
5,497,289 A * 3/1996 Sugishima H02M 7/003
318/558
D372,017 S * 7/1996 Suematsu D13/110

(Continued)

1 Claim, 10 Drawing Sheets



(56)

References Cited

U.S. PATENT DOCUMENTS

D455,399 S * 4/2002 Imamura D13/110
6,521,848 B2 * 2/2003 Shibata H01H 9/26
200/5 R
D494,132 S * 8/2004 Song D13/110
D527,611 S * 9/2006 Sato D8/307
D558,141 S * 12/2007 Kwon D13/110
D569,795 S * 5/2008 Higuchi D13/110
D627,725 S * 11/2010 Gebert D13/118
D675,565 S * 2/2013 Choi D13/110
D684,533 S * 6/2013 Nakahira D13/110
D707,176 S * 6/2014 Choi D13/110
D745,847 S * 12/2015 Ho D13/110

FOREIGN PATENT DOCUMENTS

CN 102470418 A 5/2012
JP 1314618 S 11/2007

OTHER PUBLICATIONS

An Office Action mailed by the Japanese Patent Office dated Mar. 10, 2020, which corresponds to Japanese Design Application No. 2019-020086 and is related to Design U.S. Appl. No. 29/722,793 with English language translation.

* cited by examiner

FIG. 1

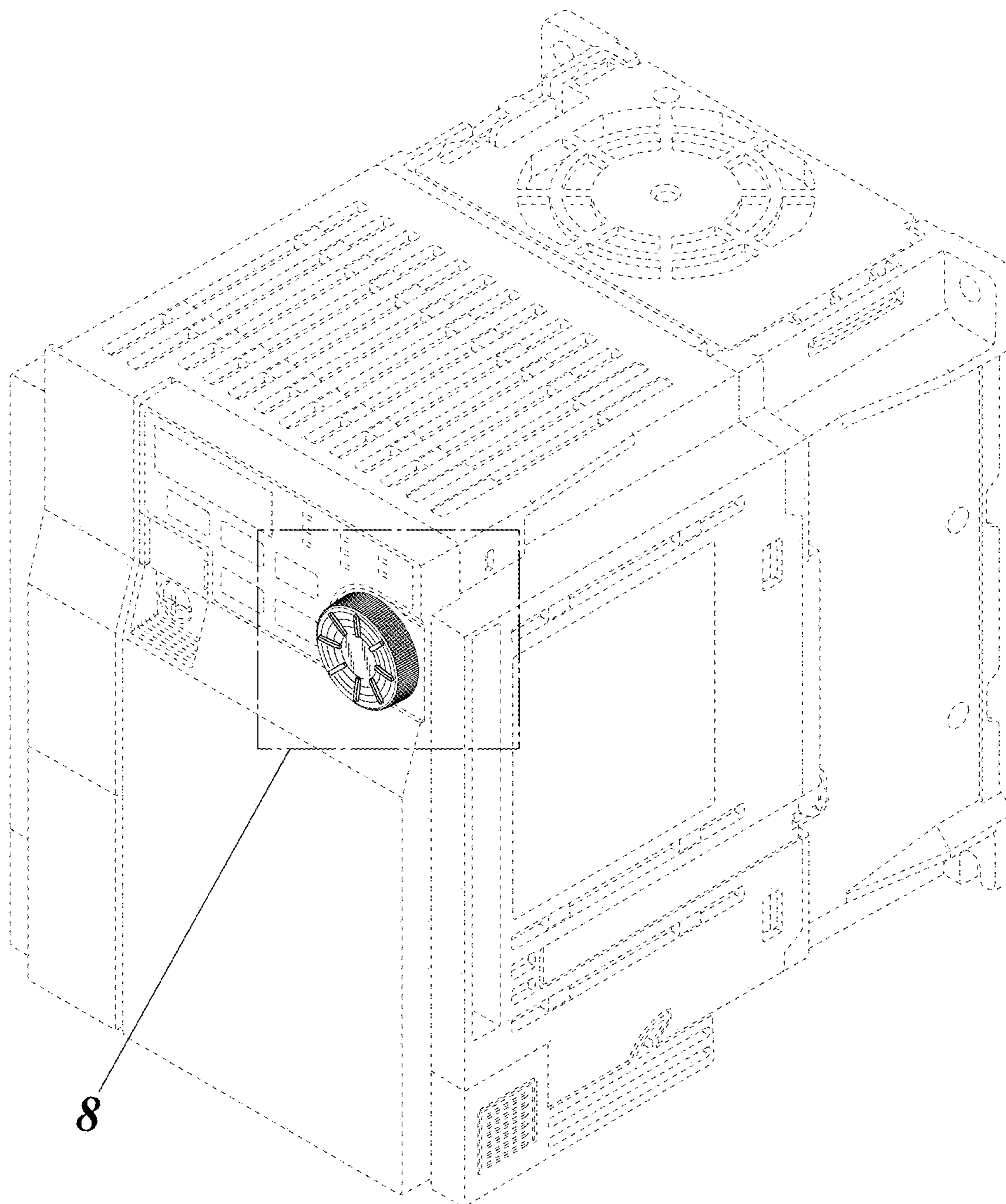


FIG. 2

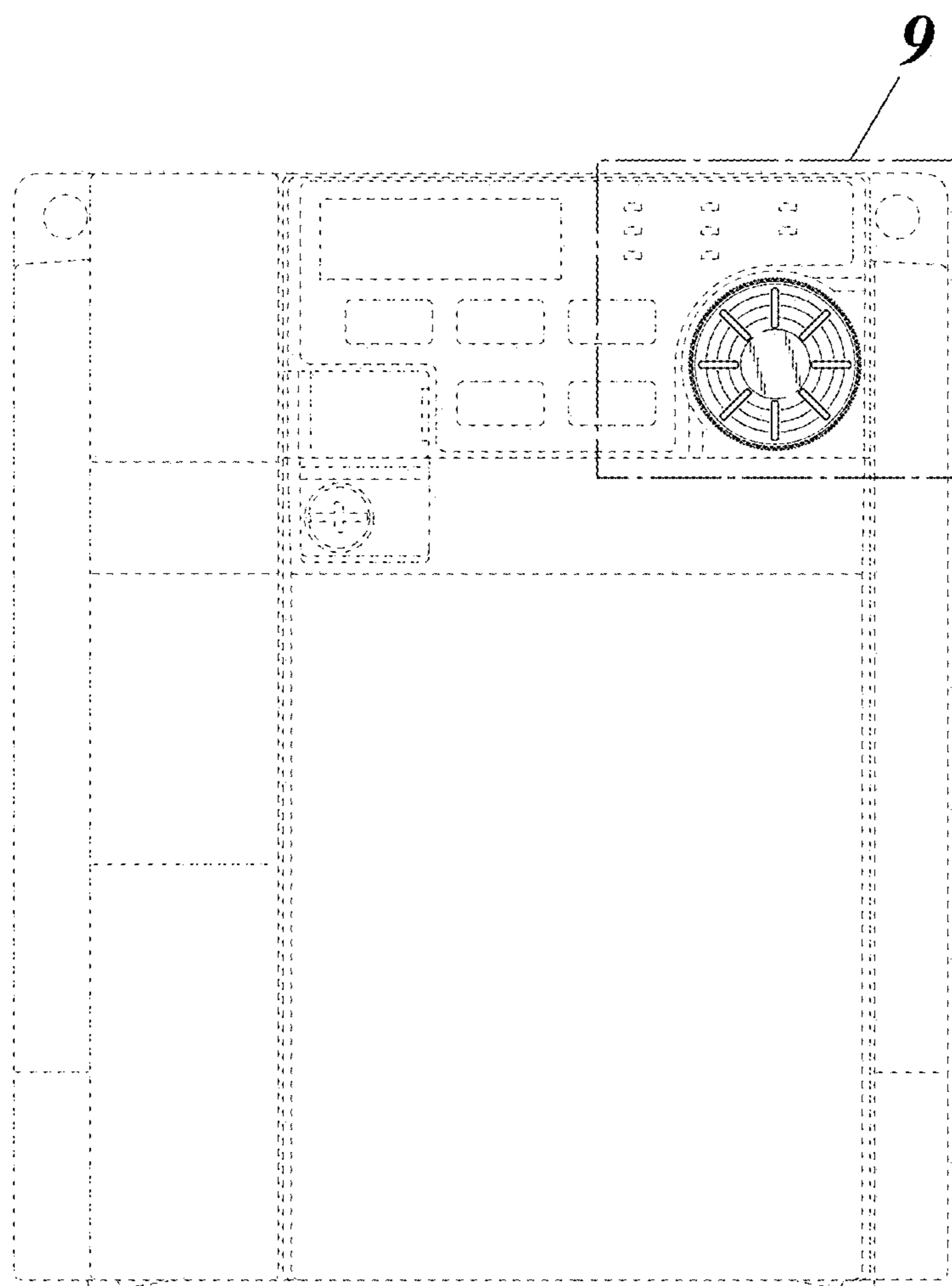


FIG. 3

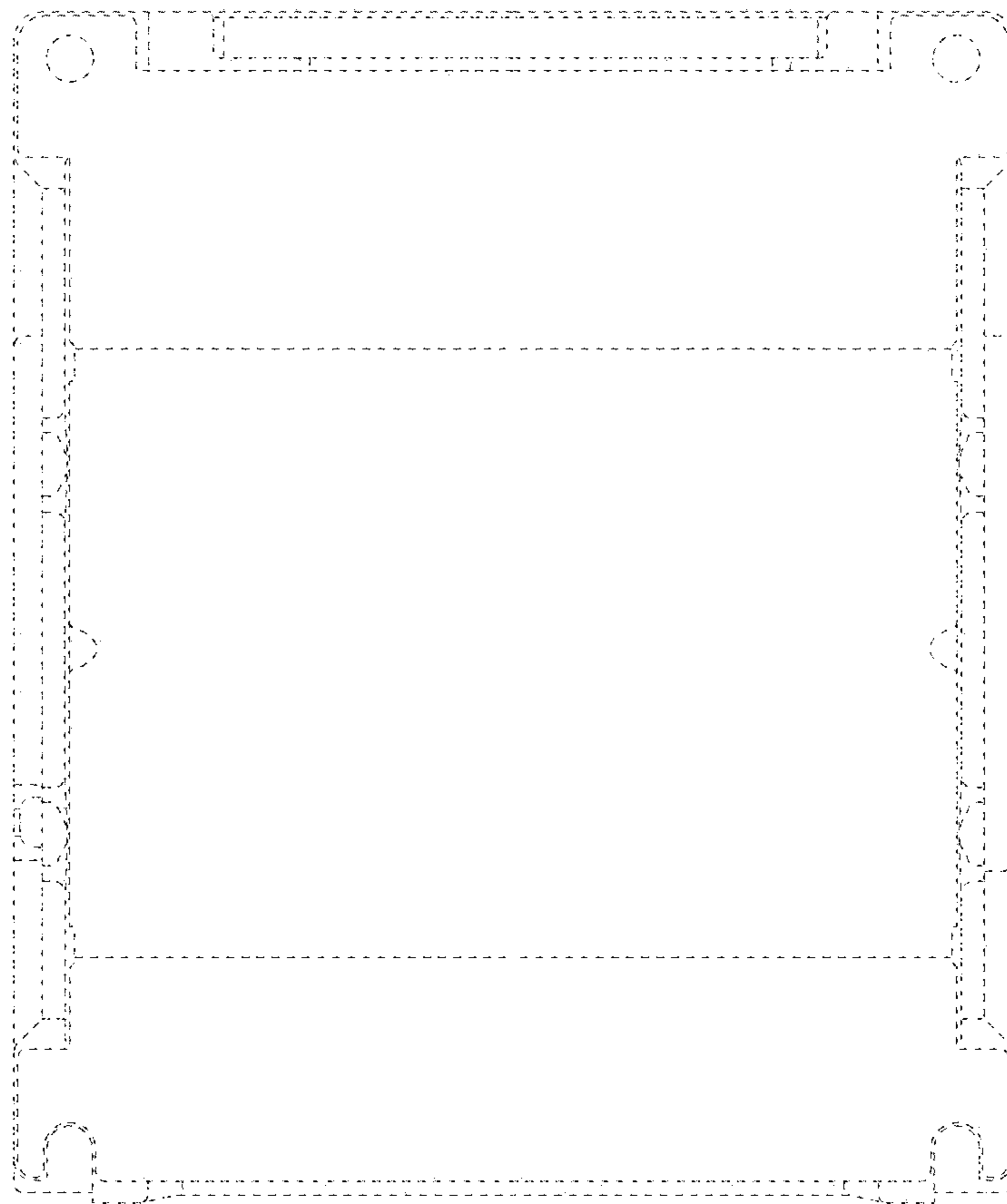


FIG. 4

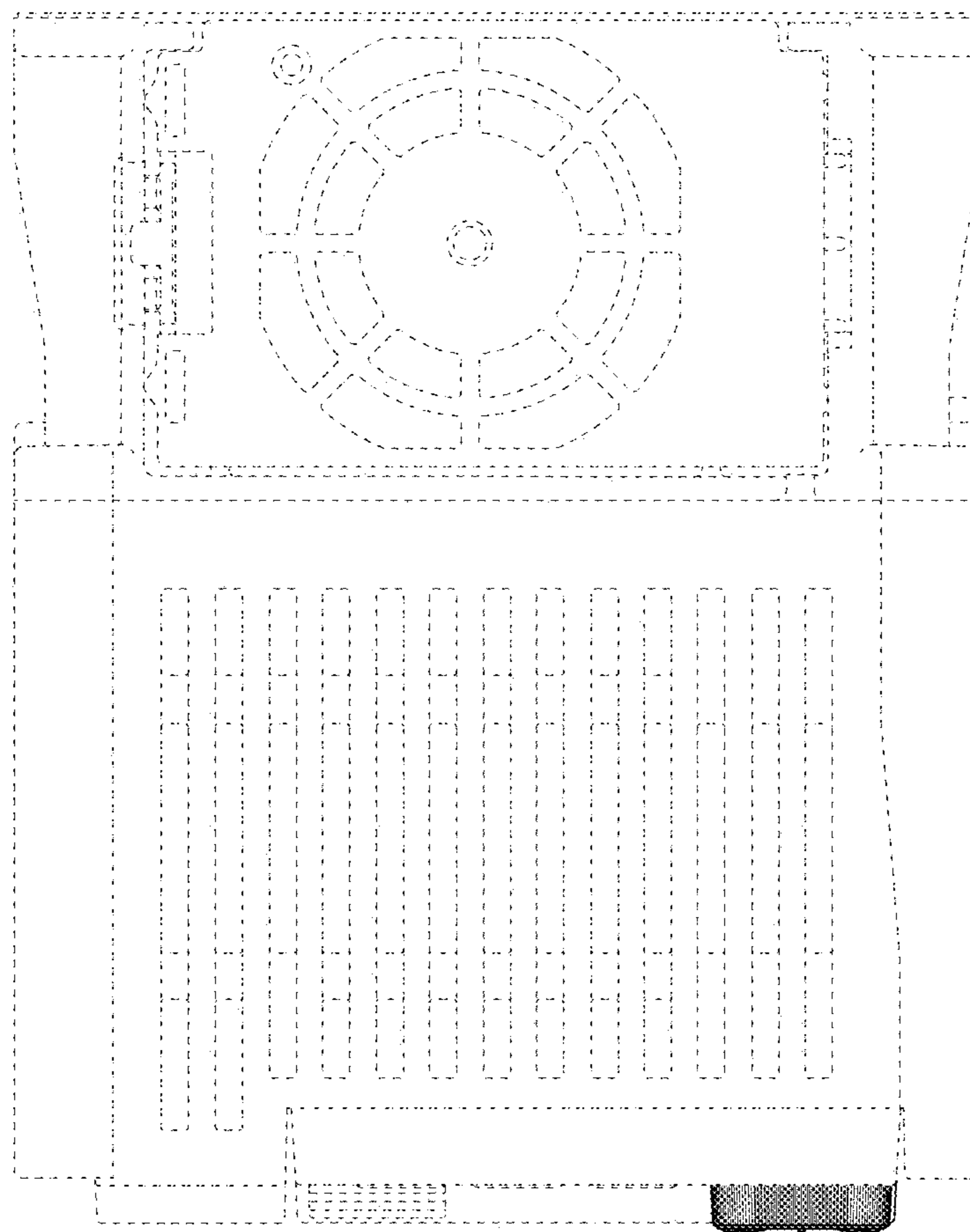


FIG. 5

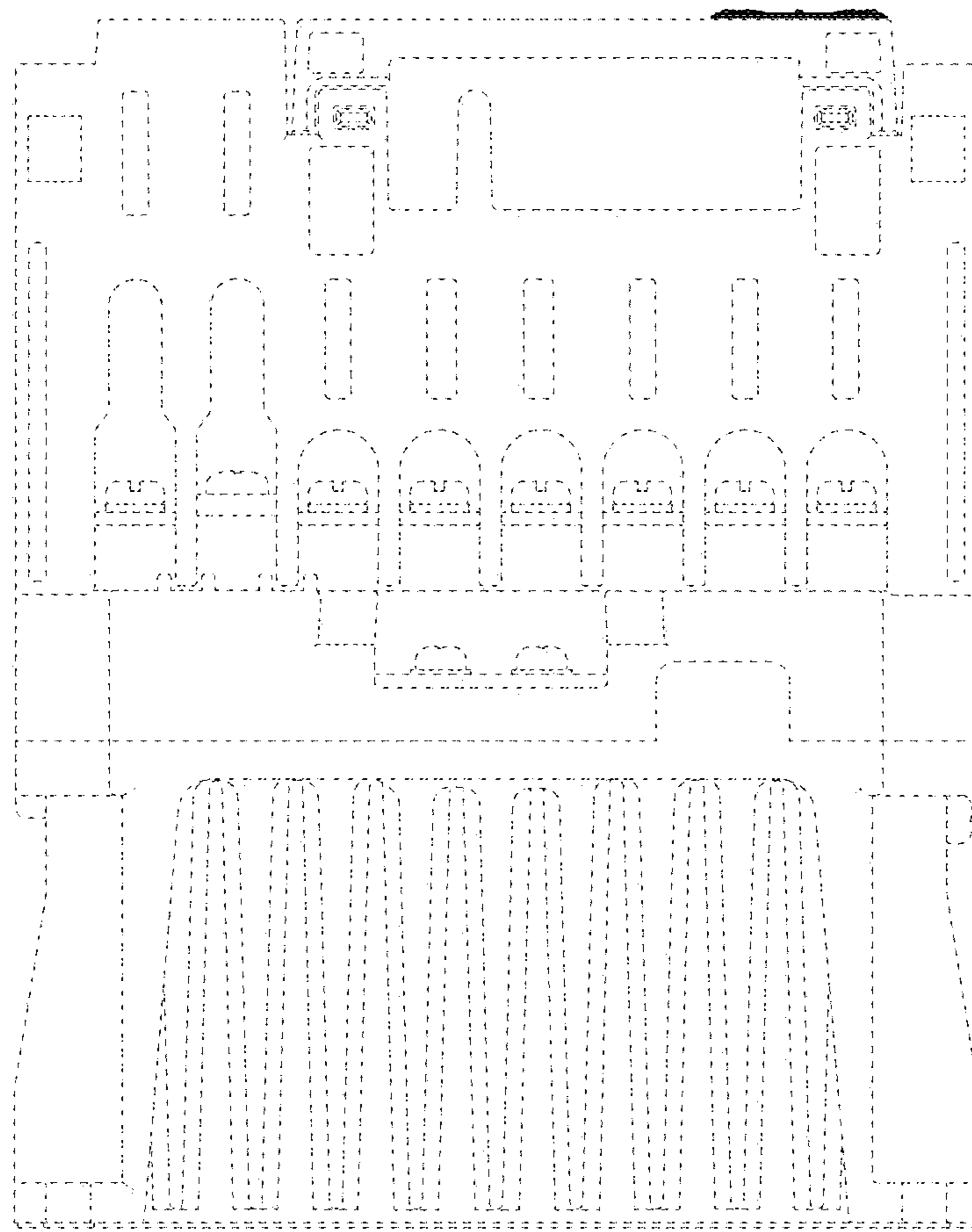


FIG. 6

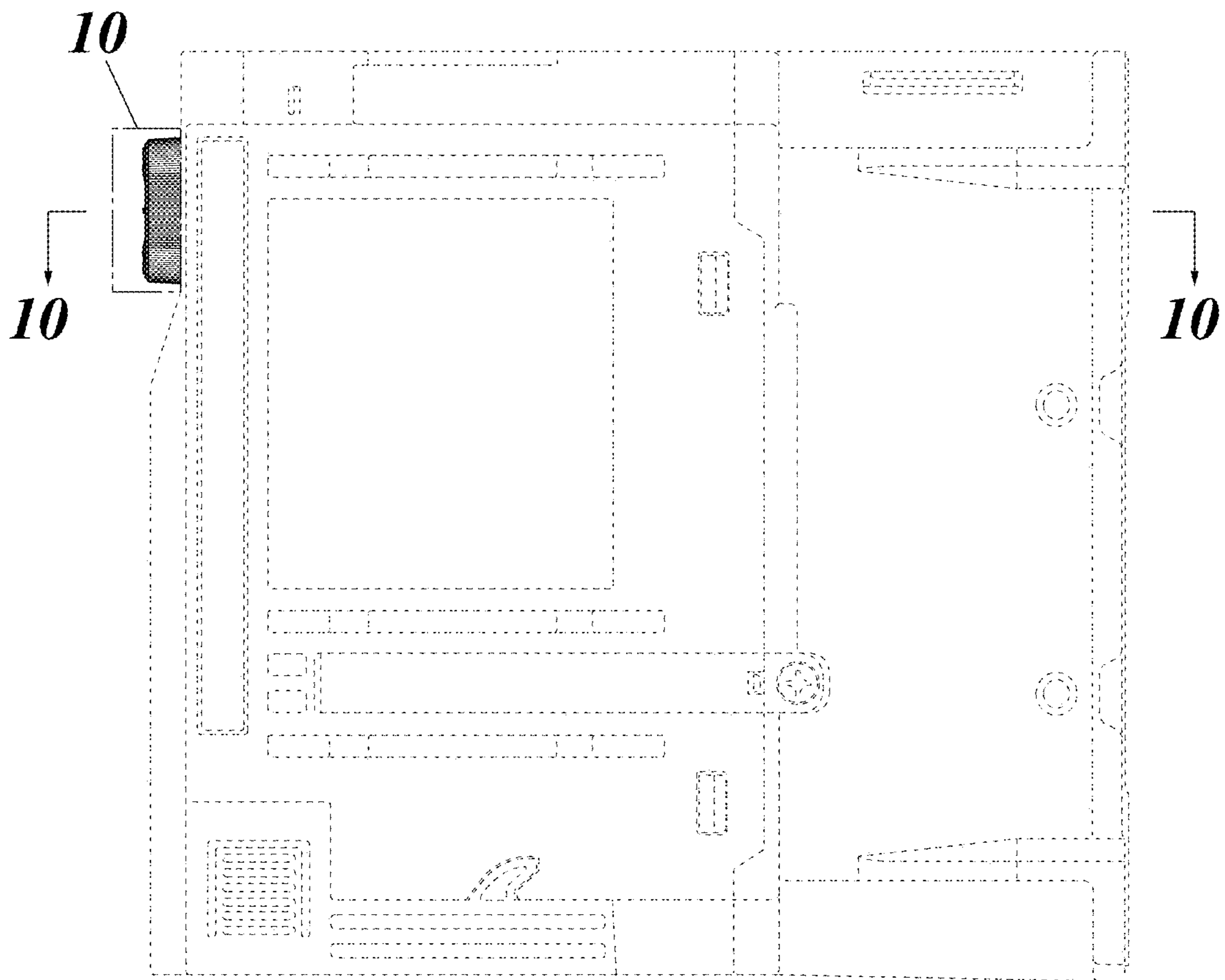


FIG. 7

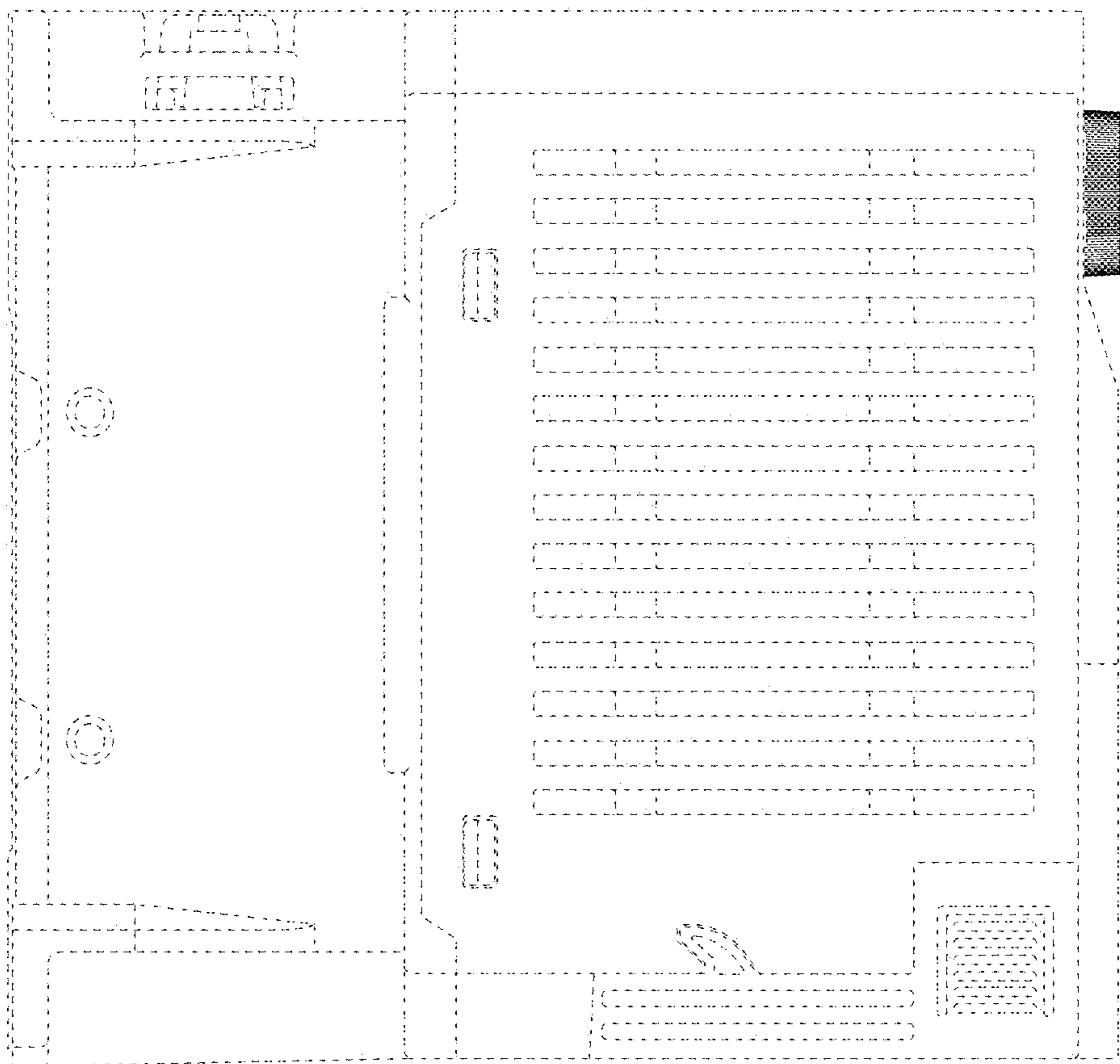


FIG. 8

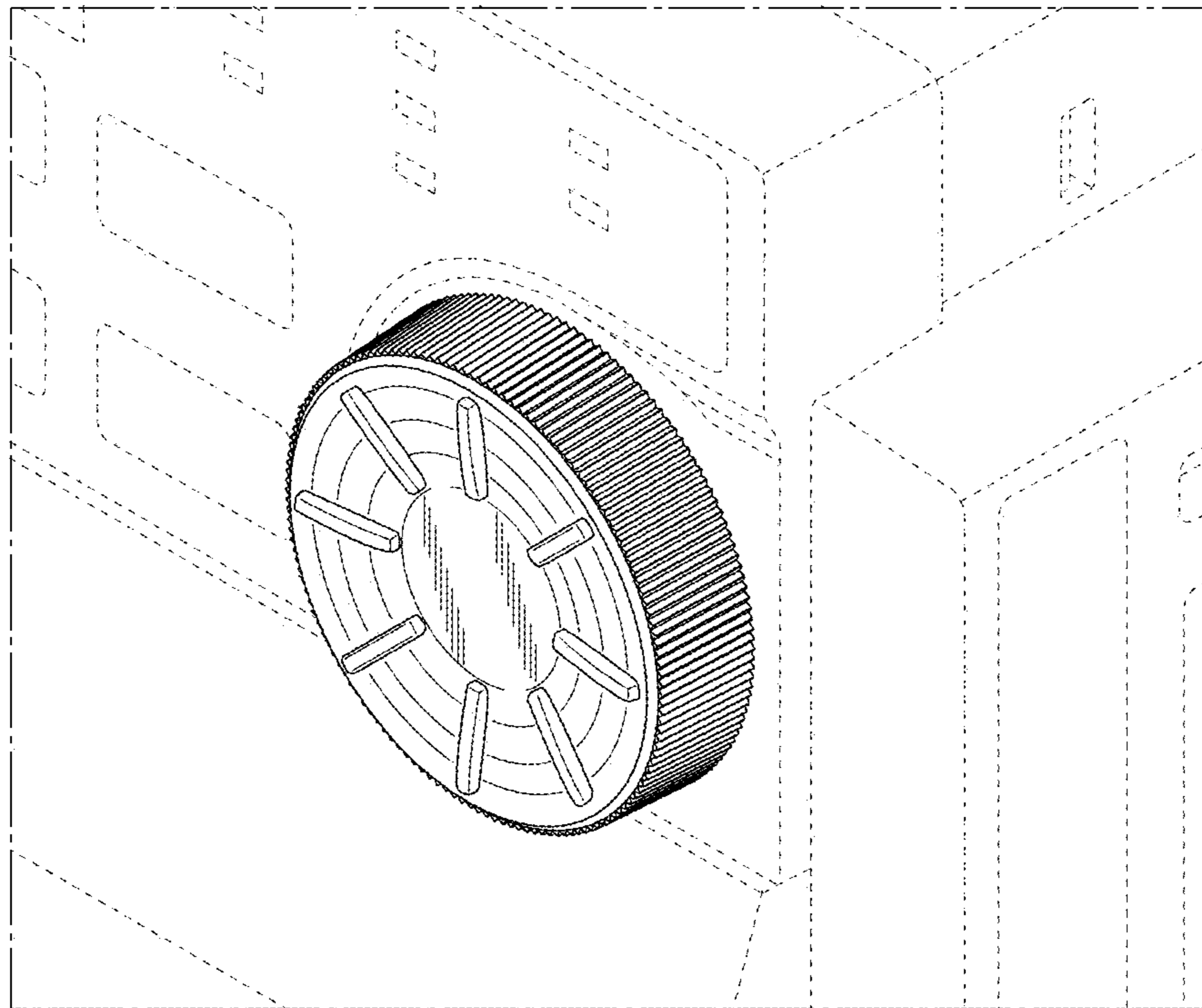


FIG. 9

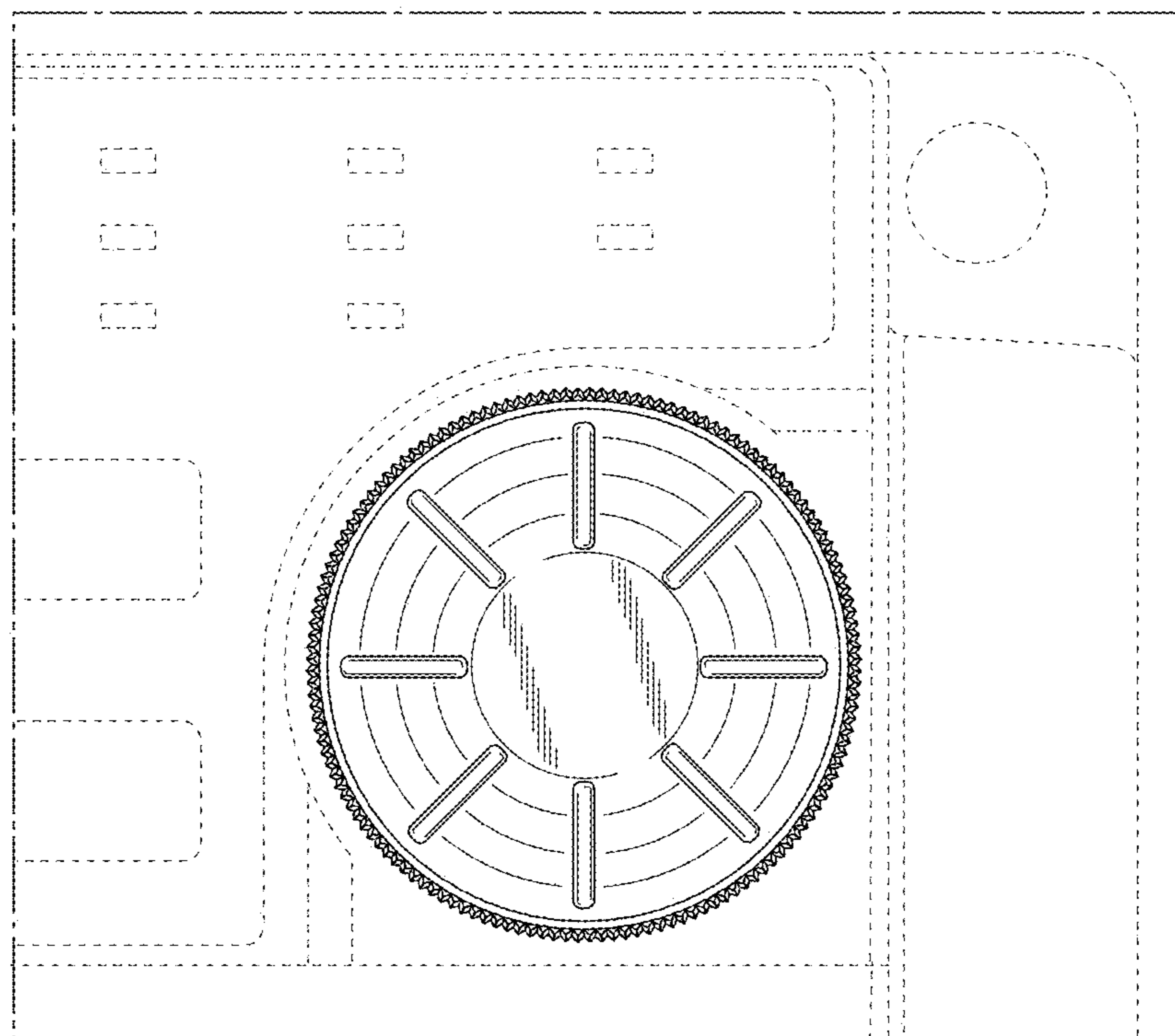


FIG. 10

