



US00D914595S

(12) **United States Design Patent**
Rooyakkers et al.

(10) **Patent No.:** **US D914,595 S**
(45) **Date of Patent:** **** Mar. 30, 2021**

(54) **MODULE FOR AN INDUSTRIAL CONTROL SYSTEM**

(71) Applicant: **Bedrock Automation Platforms Inc.**,
Mansfield, MA (US)

(72) Inventors: **Albert Rooyakkers**, Sunnyvale, CA
(US); **Ken Doucette**, Norton, MA (US);
John Porter, Guelph (CA)

(**) Term: **15 Years**

(21) Appl. No.: **29/685,723**

(22) Filed: **Mar. 29, 2019**

(51) **LOC (13) Cl.** **13-02**

(52) **U.S. Cl.**
USPC **D13/110**

(58) **Field of Classification Search**
USPC D13/103, 107, 108, 110, 137.1–137.4,
D13/138.1–138.2, 139.1–139.8, 152, 154,
D13/158, 171, 174, 184, 199, 123;
D14/250, 251, 253, 432, 434, 435
CPC Y02E 60/12; Y02E 60/122; Y02E 60/124;
Y02E 60/50; H01M 2/02; H01M 2/022;
H01M 2/0202; H01M 2/0207; H01M
2/0212; H01M 2/1061; H01M 2/1022;
H01M 2/1055; H01M 2/1066; H01M
2/105; H01M 2/204; H01M 2/202; H01M
2/206; H01M 10/4257; H01M 10/0436;
H01M 10/48; H01M 10/44; H01M 10/46;
H01M 10/465; H01M 10/482; H01R
11/00; H01R 9/00; H01R 13/00; H01R
13/04; H01R 13/10; H01R 13/6666;
H01R 13/6675; H01R 25/00; H01R
25/006; H01H 2207/00; H01H 2207/022;
G05B 19/418

See application file for complete search history.

(56) **References Cited**

U.S. PATENT DOCUMENTS

D281,315 S * 11/1985 Kjeld D13/179
D284,076 S * 6/1986 Moeller D13/123

D292,914 S * 11/1987 Moeller D13/123
D303,664 S * 9/1989 Harden D14/140.2
D348,869 S * 7/1994 Egger D13/123
D351,134 S * 10/1994 Hunziker D13/110
D378,081 S * 2/1997 Antonczak D13/184
D379,174 S * 5/1997 Kornblum D13/123
D414,752 S * 10/1999 Rooyakkers D13/184

(Continued)

OTHER PUBLICATIONS

Bedrockautomation.com: Bedrock OSA Remote. Published Jun. 17, 2020. Retrieved from the internet at <https://bedrockautomation.com/products/bedrock-osa-remote/>, Jun. 17, 2020. 1 page. (Year: 2020).*

Primary Examiner — Christy Nemeth
(74) *Attorney, Agent, or Firm* — Kevin E. West; Advent, LLP

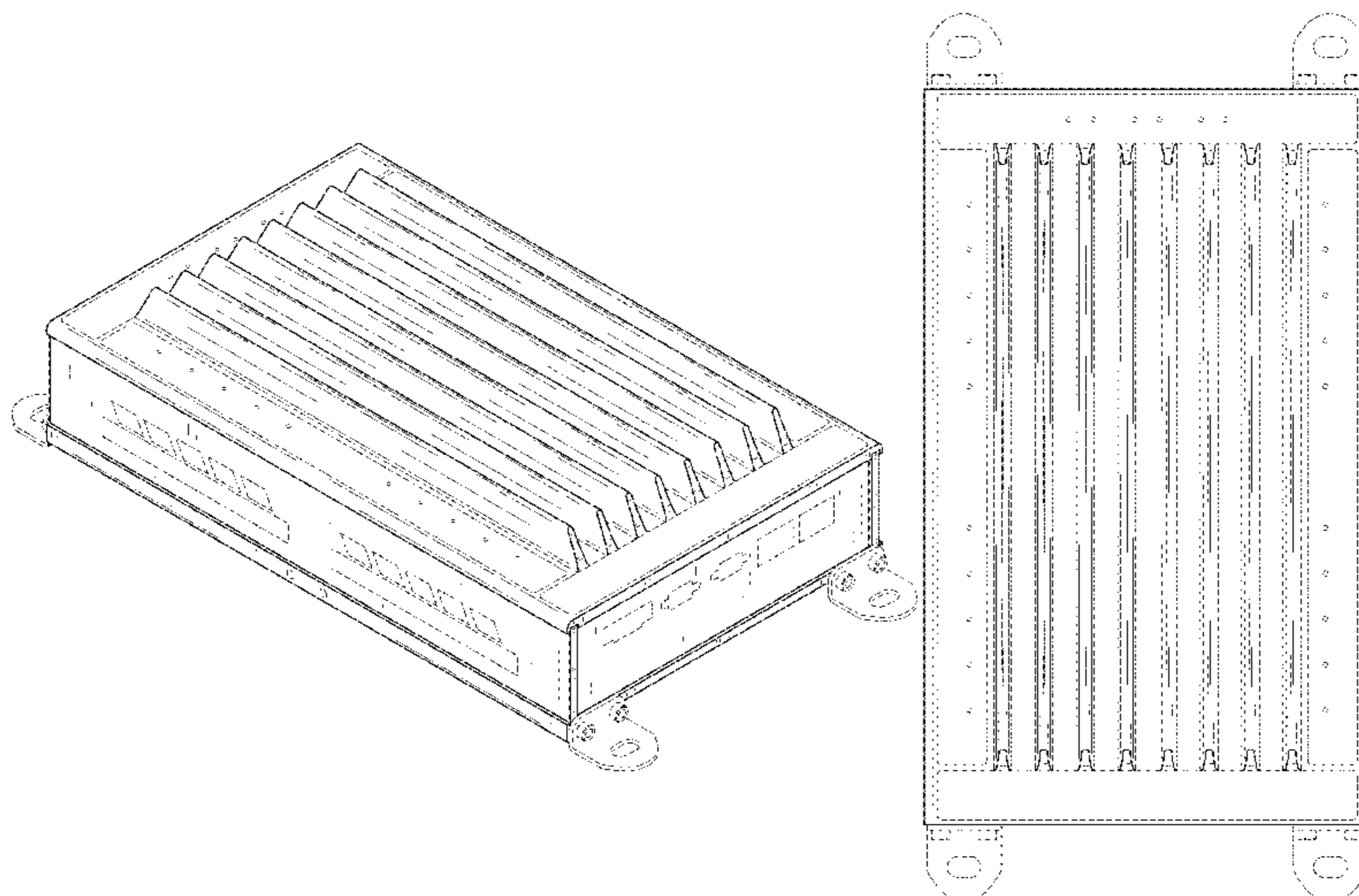
(57) **CLAIM**

The ornamental design for a module for an industrial control system, as shown and described.

DESCRIPTION

FIG. 1 is an isometric view of a module for an industrial control system.
FIG. 2 is another isometric view of the module for an industrial control system of FIG. 1.
FIG. 3 is a top plan view of the module for an industrial control system of FIG. 1.
FIG. 4 is a front elevation view of the module for an industrial control system of FIG. 1.
FIG. 5 is a rear elevation view of the module for an industrial control system of FIG. 1.
FIG. 6 is a left side elevation view of the module for an industrial control system of FIG. 1; and,
FIG. 7 is a right side elevation view of the module for an industrial control system of FIG. 1.
The broken lines in the drawings illustrate portions of the article that form no part of the claimed design.

1 Claim, 7 Drawing Sheets



(56)

References Cited

U.S. PATENT DOCUMENTS

D430,564 S * 9/2000 Tsistinas D13/123
 D491,932 S * 6/2004 Nakamura D13/123
 D493,771 S * 8/2004 Pagella D13/110
 D525,194 S * 7/2006 Nagai D13/110
 D554,153 S * 10/2007 Hansen D13/123
 D556,218 S * 11/2007 Hansen D13/123
 D593,970 S * 6/2009 Sonntag D13/184
 D714,213 S * 9/2014 Rooyakkers D13/103
 D721,707 S * 1/2015 Rooyakkers D13/110
 D735,667 S * 8/2015 Mielnik D13/123
 D758,978 S * 6/2016 Rooyakkers D13/184
 D761,729 S * 7/2016 Leong D13/108
 D765,031 S * 8/2016 Mielnik D13/123
 D773,993 S * 12/2016 Hoffman D13/110
 D776,630 S * 1/2017 Rooyakkers D13/184
 D806,646 S * 1/2018 DeKeuster D13/103
 D830,299 S * 10/2018 Banayan D13/110
 D836,546 S * 12/2018 Kang D13/108
 D839,826 S * 2/2019 Dong D13/123
 D845,234 S * 4/2019 Gao D13/108
 D845,238 S * 4/2019 Kato D13/123
 D850,369 S * 6/2019 Wang D13/108

D851,033 S * 6/2019 Yuk D13/108
 D851,614 S * 6/2019 Ji D13/184
 D853,955 S * 7/2019 Oliver D13/103
 D853,956 S * 7/2019 Lau D13/107
 D853,962 S * 7/2019 Kanarellis D13/110
 D854,499 S * 7/2019 Lilja D13/123
 D861,593 S * 10/2019 Nakajima D13/103
 D861,608 S * 10/2019 Kato D13/123
 D861,609 S * 10/2019 Kato D13/123
 D865,671 S * 11/2019 Dong D13/123
 D883,207 S * 5/2020 Sakamoto D13/110
 D883,208 S * 5/2020 Dong D13/110
 D884,597 S * 5/2020 Pilliod D13/103
 D884,598 S * 5/2020 Ebisawa D13/103
 D884,612 S * 5/2020 Lau D13/107
 D884,629 S * 5/2020 Zhong D13/110
 D885,340 S * 5/2020 Shum D13/110
 D885,341 S * 5/2020 Xu D13/110
 D886,049 S * 6/2020 Lee D13/107
 2014/0370367 A1 * 12/2014 Higuchi H01M 2/206
 429/158
 2016/0191418 A1 * 6/2016 Kong H04L 49/15
 370/400
 2019/0326569 A1 * 10/2019 Chi H01M 2/206

* cited by examiner

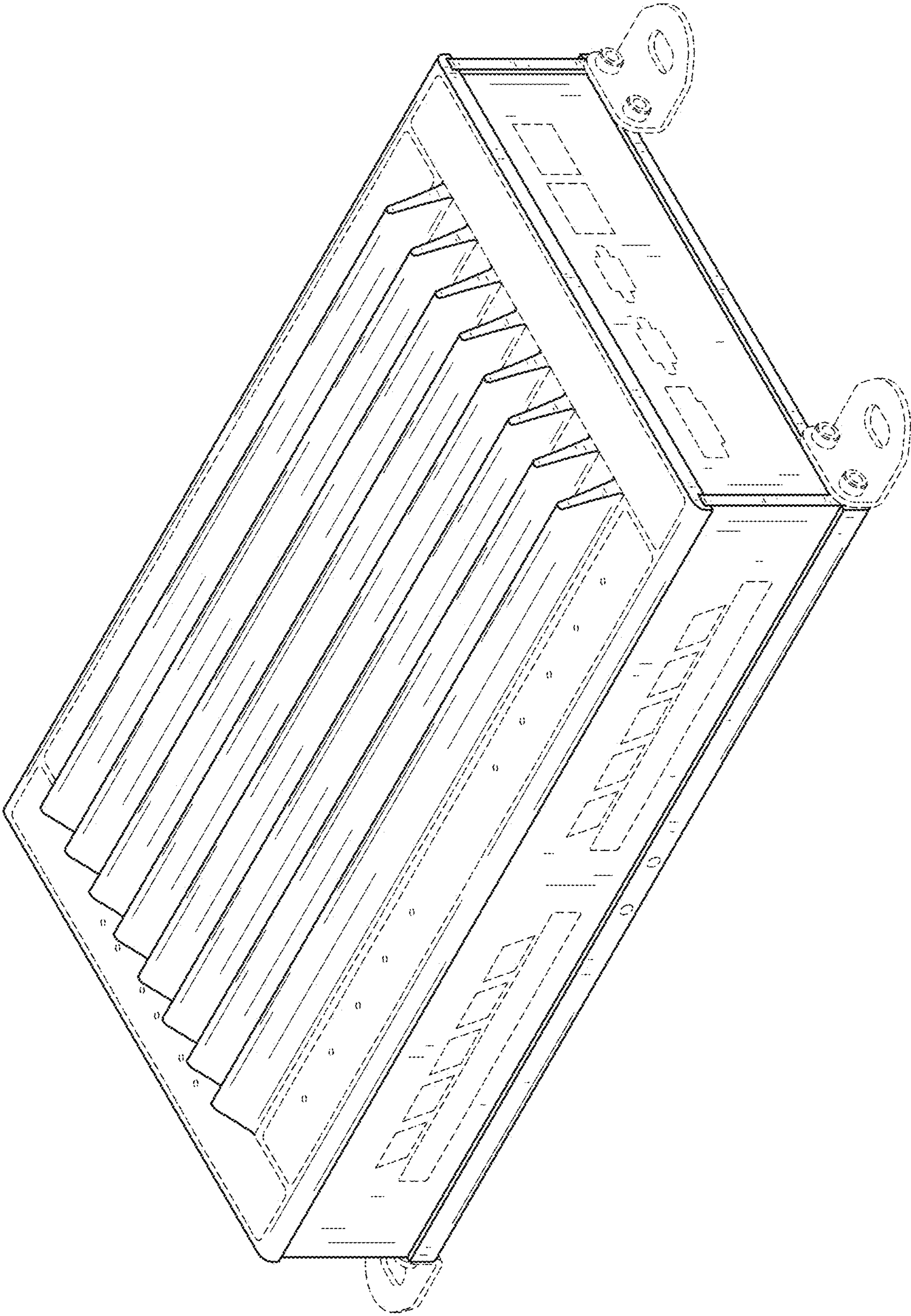


FIG. 1

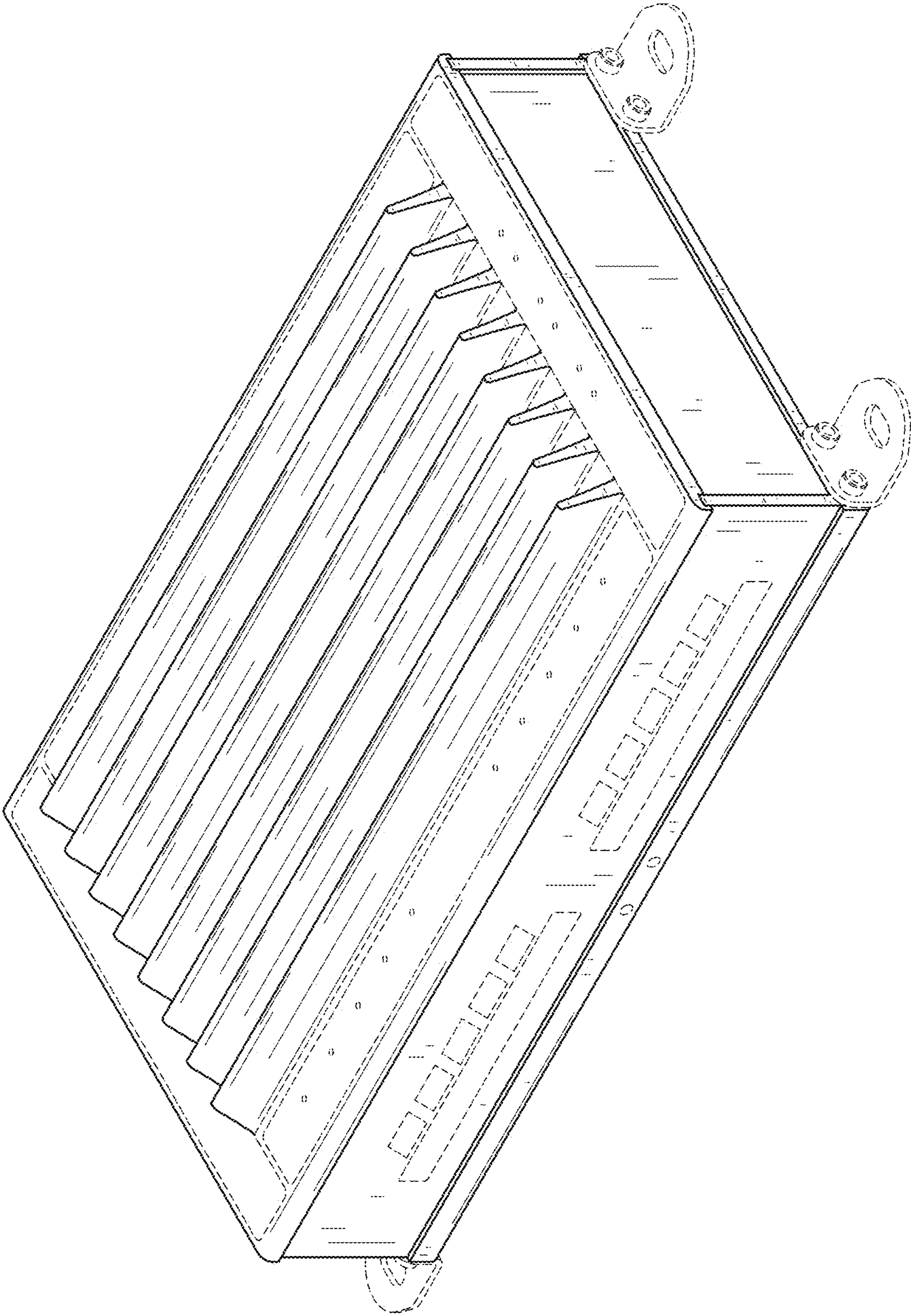


FIG. 2

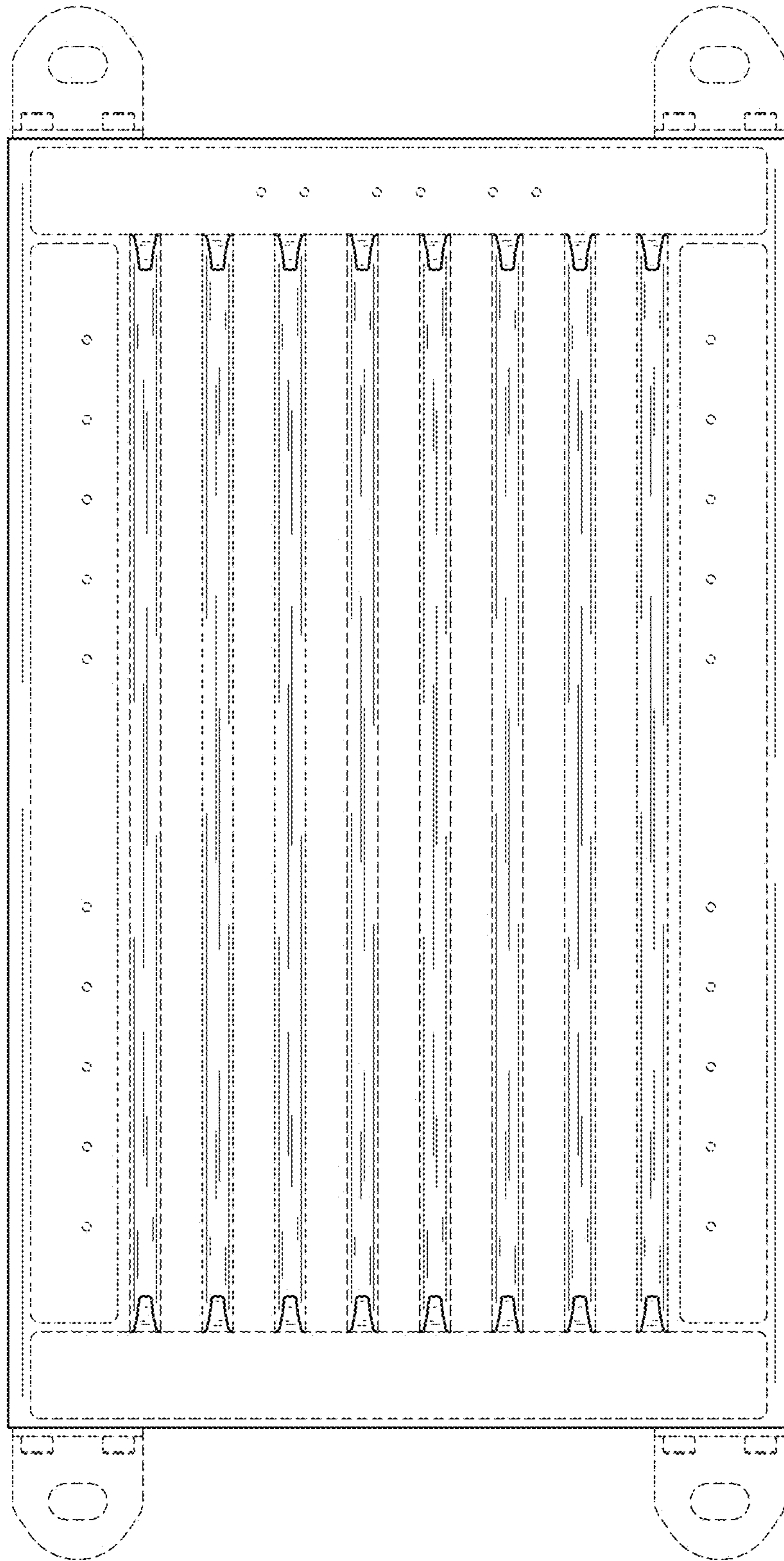


FIG. 3

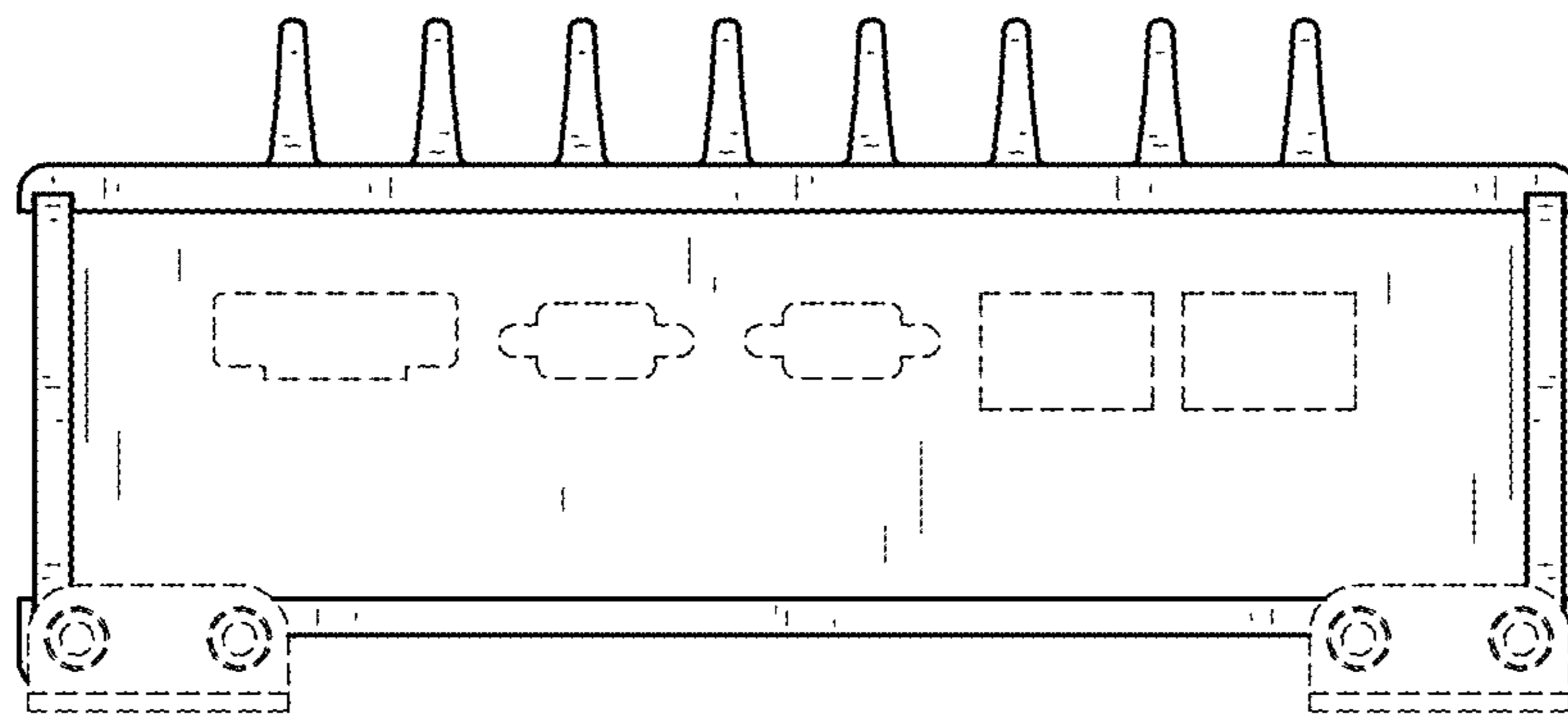


FIG. 4

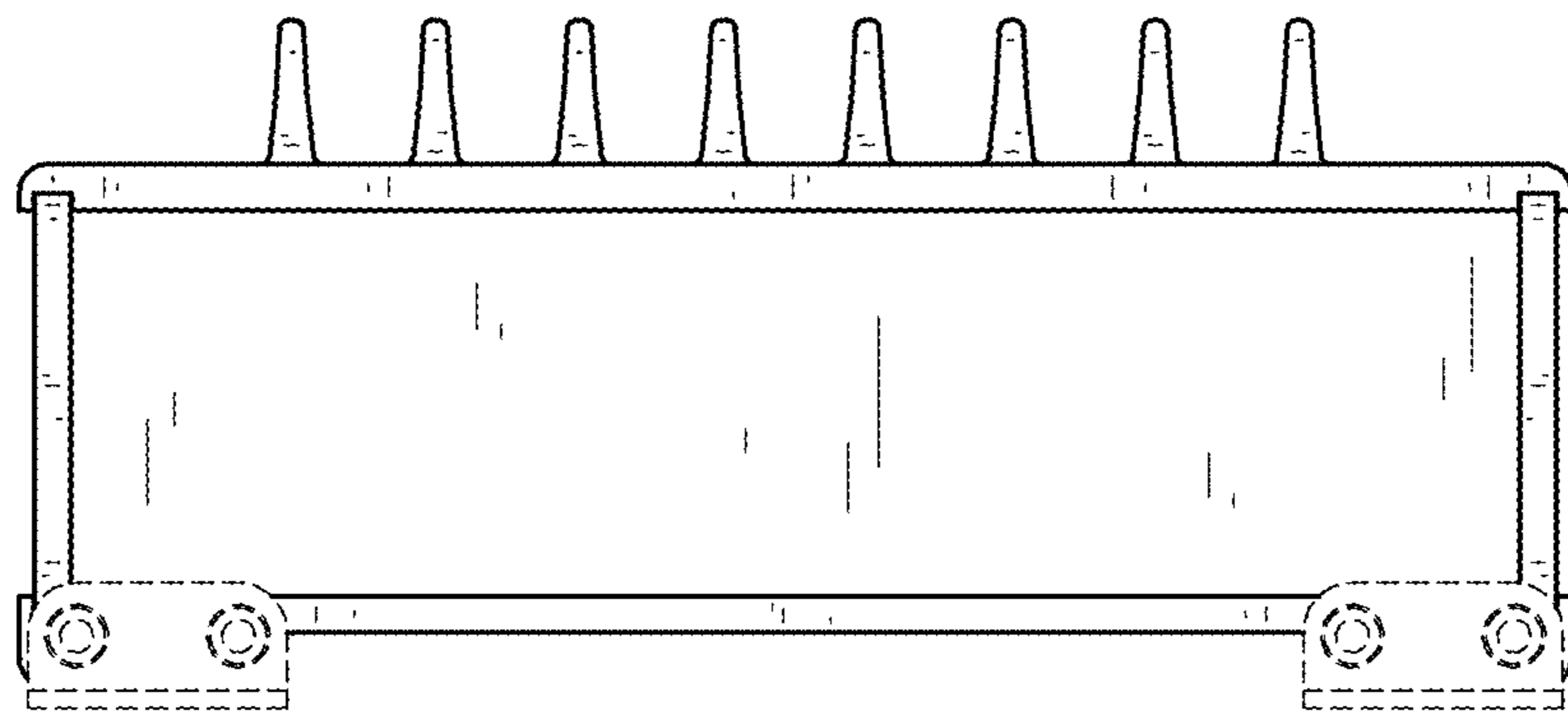


FIG. 5

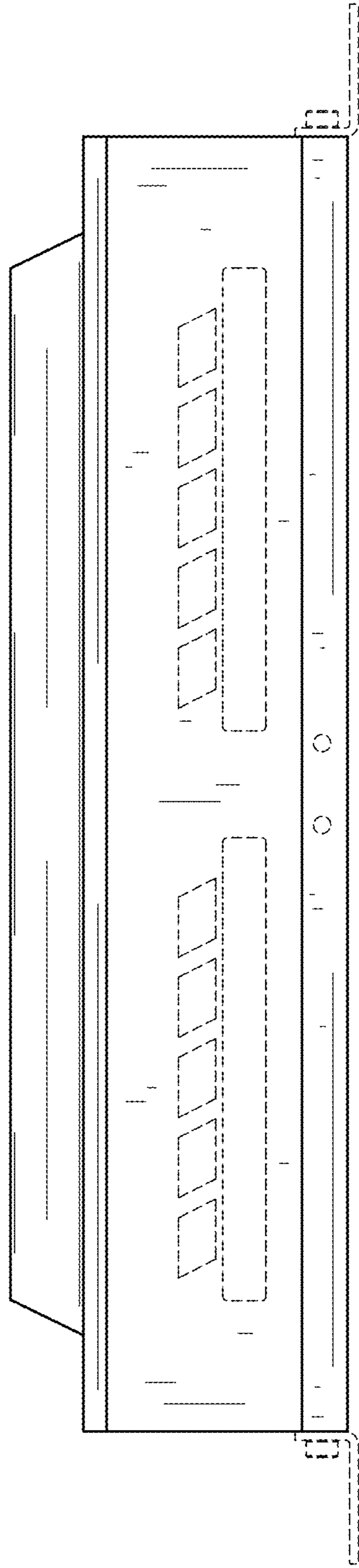


FIG. 6

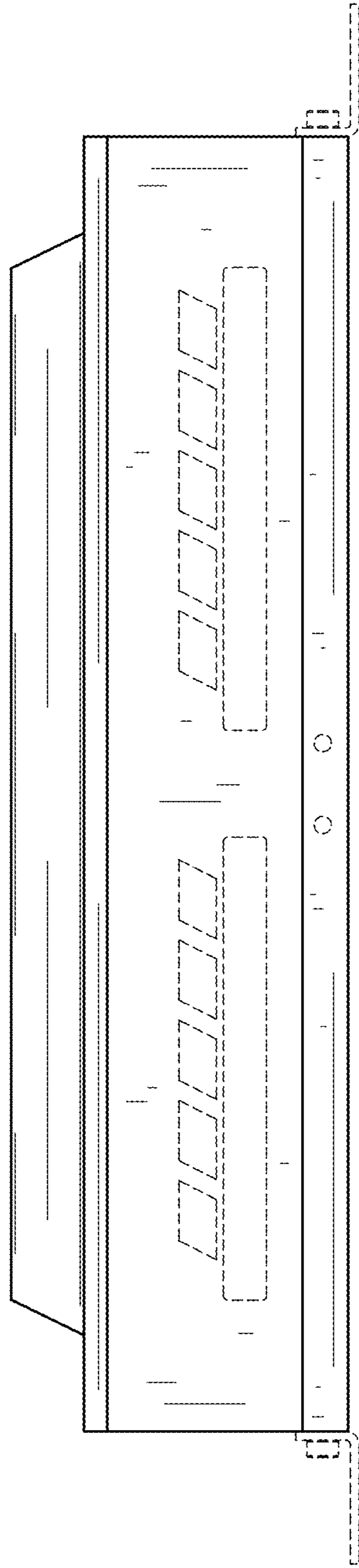


FIG. 7