

US00D914594S

(12) **United States Design Patent** (10) **Patent No.:** **US D914,594 S**  
**Raum et al.** (45) **Date of Patent:** **\*\* Mar. 30, 2021**

- (54) **AUTOMATION DEMO CASE**
- (71) Applicant: **Siemens Ltd., China**, Beijing (CN)
- (72) Inventors: **Christoph Raum**, Amberg (DE); **Xiao Feng Zhou**, Beijing (CN)
- (73) Assignee: **SIEMENS LTD., CHINA**, Beijing (CN)
- (\*\*) Term: **15 Years**
- (21) Appl. No.: **29/672,731**
- (22) Filed: **Dec. 7, 2018**
- (30) **Foreign Application Priority Data**

D705,728 S *	5/2014	Choi	.....	D13/110
D706,215 S *	6/2014	Nakahira	.....	D13/110
D707,176 S *	6/2014	Choi	.....	D13/110
D709,449 S *	7/2014	Oba	.....	D13/110
8,848,370 B2 *	9/2014	Shin	.....	H02M 7/003 165/104.33
8,854,816 B2 *	10/2014	Shintani	.....	H05K 7/20909 361/678
D716,728 S *	11/2014	Oyadomari	.....	D13/110
8,882,479 B2 *	11/2014	Asai	.....	F04B 35/04 417/423.14
D728,474 S *	5/2015	Orlando	.....	D13/110
D739,352 S *	9/2015	Benn	.....	D13/123
D745,847 S *	12/2015	Ho	.....	D13/110
9,203,217 B2 *	12/2015	Takano	.....	H05K 7/1432
9,241,428 B1 *	1/2016	Doo	.....	H05K 7/20927
9,318,935 B2 *	4/2016	Nakagami	.....	H02K 11/044
D756,921 S *	5/2016	Benn	.....	D13/110
D773,393 S *	12/2016	Simoni	.....	D13/110
9,599,109 B2 *	3/2017	Yakushiji	.....	F04B 39/06

(Continued)

Jun. 8, 2018 (CN) ..... 201830289504.9

- (51) **LOC (13) Cl.** ..... **13-10**
- (52) **U.S. Cl.**  
USPC ..... **D13/110**
- (58) **Field of Classification Search**  
USPC ..... D13/110, 108, 118, 123, 162, 168, 169,  
D13/174, 177, 184, 199; D14/257, 432,  
D14/438  
CPC ..... B60L 15/00; B60L 15/007; B60L 50/51;  
B60K 17/04; H02K 5/06; H05K 5/00;  
H05K 5/02; H05K 5/0247; H05K 7/00;  
H05K 7/20; H05K 7/20136; H05K  
7/20154; H05K 7/209; H02M 7/00;  
H02M 7/003

See application file for complete search history.

(56) **References Cited**

**U.S. PATENT DOCUMENTS**

D667,784 S *	9/2012	Choi	.....	D13/102
D673,114 S *	12/2012	Schnakenberg, III	.....	D13/110
D684,533 S *	6/2013	Nakahira	.....	D13/110
D698,725 S *	2/2014	Shin	.....	D13/110
D703,136 S *	4/2014	Choi	.....	D13/110

*Primary Examiner* — Susan Bennett Hattan

*Assistant Examiner* — Suzanne E Tisdell

(74) *Attorney, Agent, or Firm* — Henry M. Feiereisen LLC

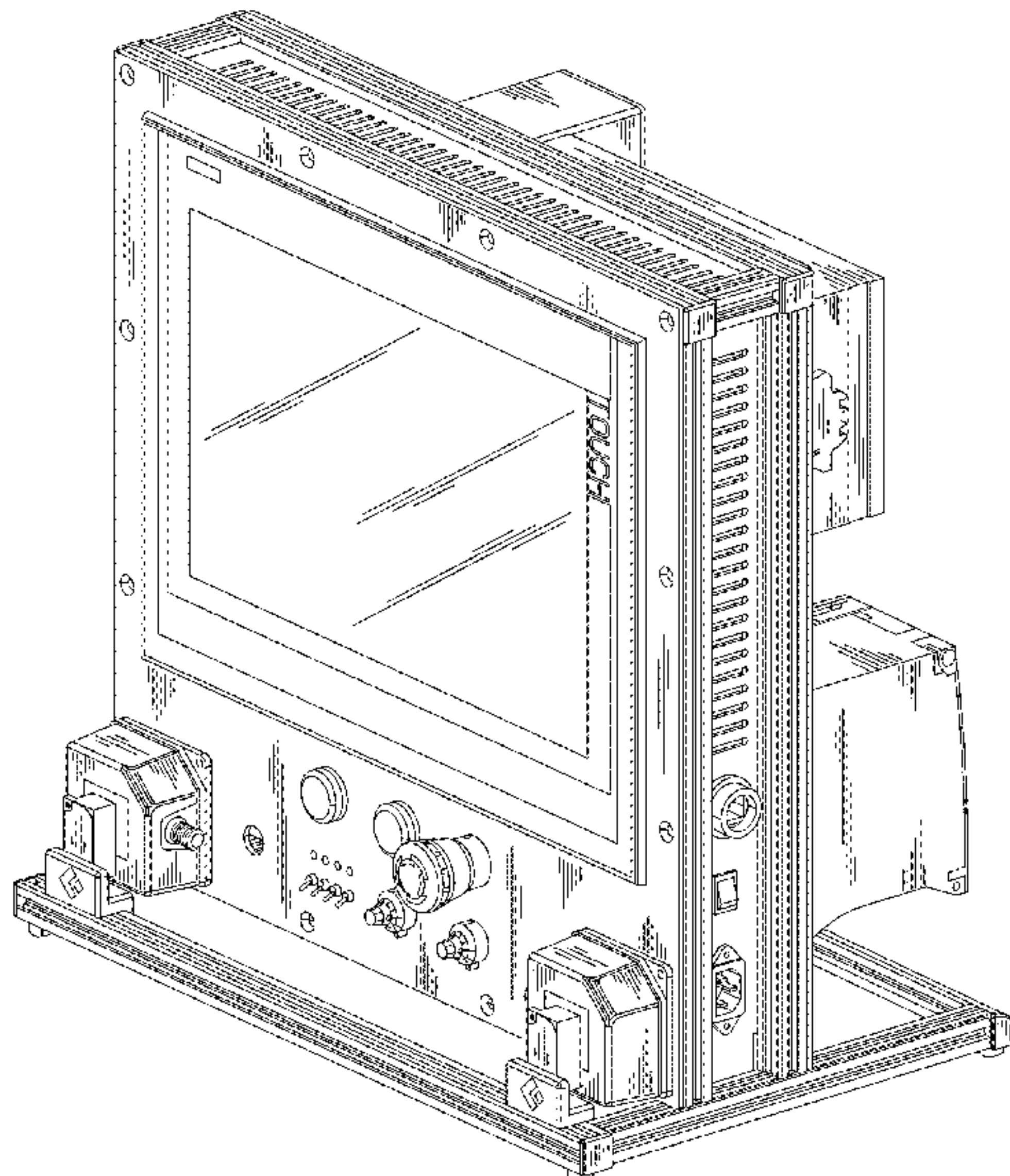
(57) **CLAIM**

The ornamental design for a automation demo case, as shown and described.

**DESCRIPTION**

FIG. 1 is a front view of a automation demo case, showing our new design;  
 FIG. 2 is a rear view thereof;  
 FIG. 3 is a top view thereof;  
 FIG. 4 is a bottom view thereof;  
 FIG. 5 is a right side view thereof;  
 FIG. 6 is a left side view thereof;  
 FIG. 7 is a top, front and right side perspective view thereof;  
 and,  
 FIG. 8 is a top, rear and left side perspective view thereof.

**1 Claim, 8 Drawing Sheets**



(56)

**References Cited**

U.S. PATENT DOCUMENTS

D789,887 S \* 6/2017 Zeng ..... D13/110  
D798,809 S \* 10/2017 Benn ..... D13/110  
D798,810 S \* 10/2017 Benn ..... D13/110  
9,795,066 B2 \* 10/2017 Dong ..... H02M 7/003  
D803,780 S \* 11/2017 Gudgel ..... D13/110  
9,812,919 B2 \* 11/2017 Arashi ..... H02K 5/225  
D813,810 S \* 3/2018 McCool ..... D13/110  
D817,273 S \* 5/2018 Kato ..... D13/110  
D817,275 S \* 5/2018 Yeh ..... D13/110  
9,961,758 B1 \* 5/2018 Pickering ..... H05K 1/0206  
D831,569 S \* 10/2018 Simoni ..... D13/110  
10,110,141 B2 \* 10/2018 Bethke ..... H05K 7/20909  
D852,740 S \* 7/2019 Aitzetmueller ..... D13/110  
D856,927 S \* 8/2019 Eppinger ..... D13/110  
10,388,589 B2 \* 8/2019 Kawase ..... H01L 25/072  
10,464,439 B2 \* 11/2019 Liu ..... H02K 5/06  
10,477,733 B1 \* 11/2019 Skalski ..... H01G 2/08

\* cited by examiner

FIG. 1

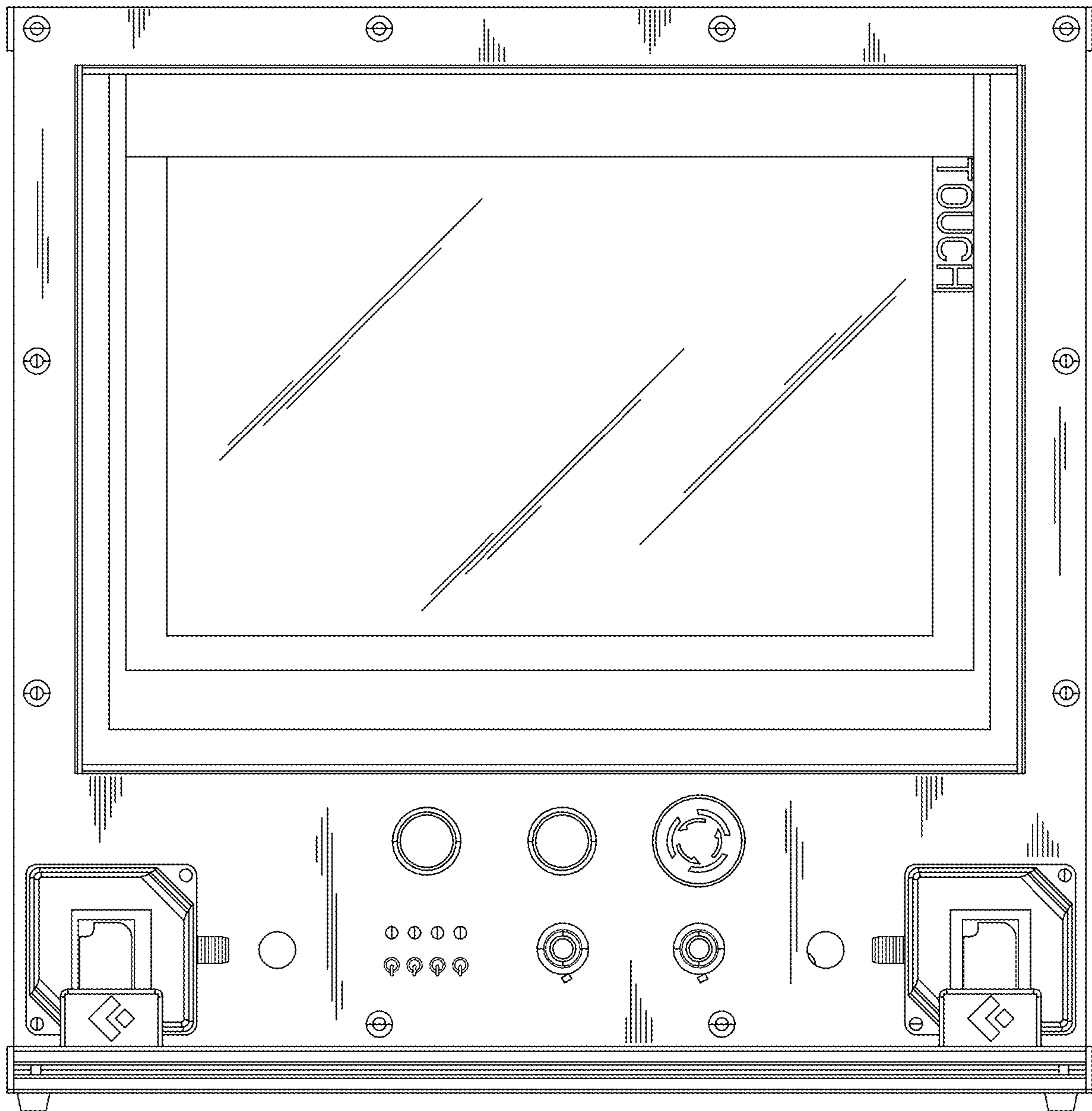




FIG. 2

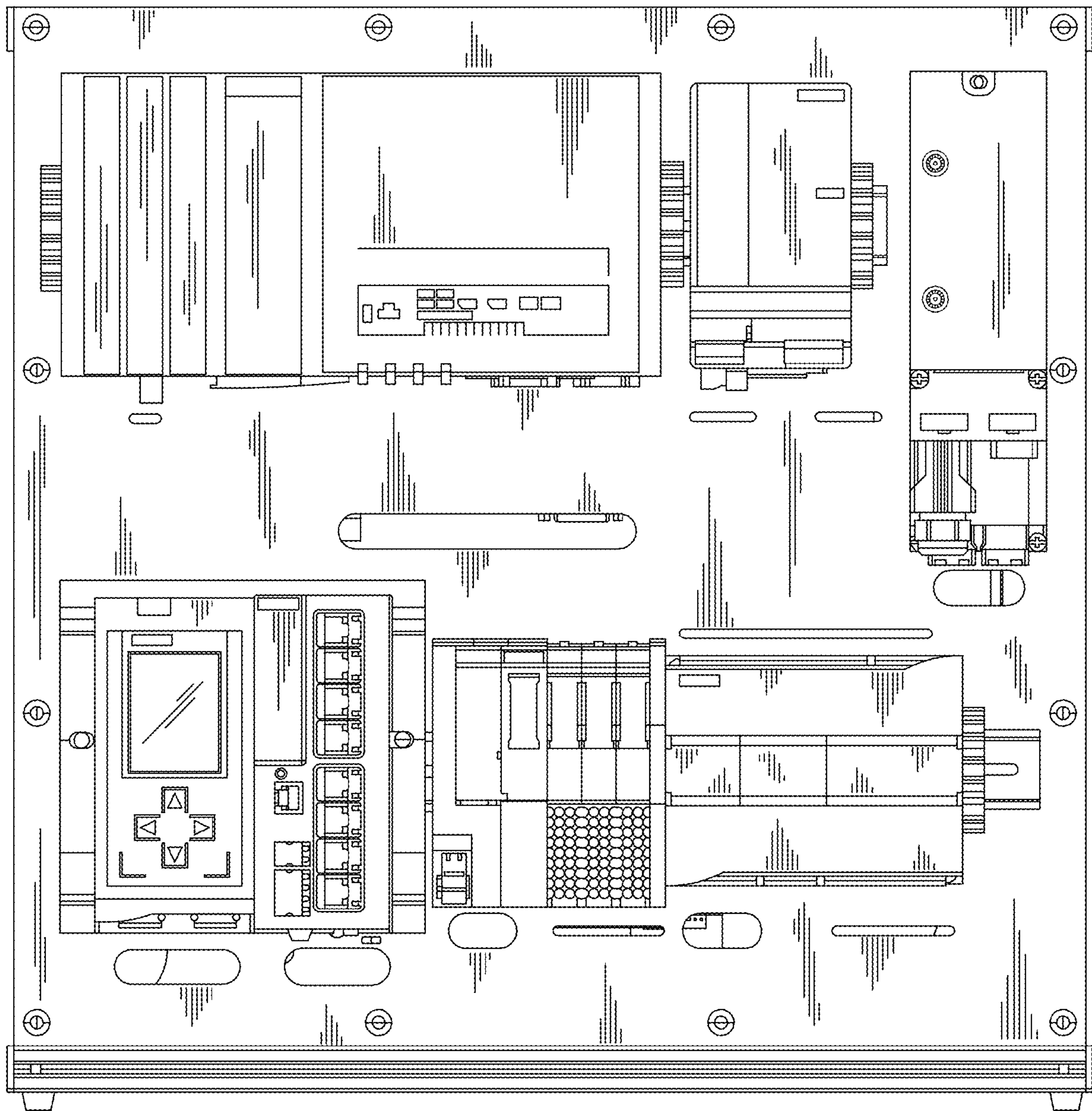


FIG. 3

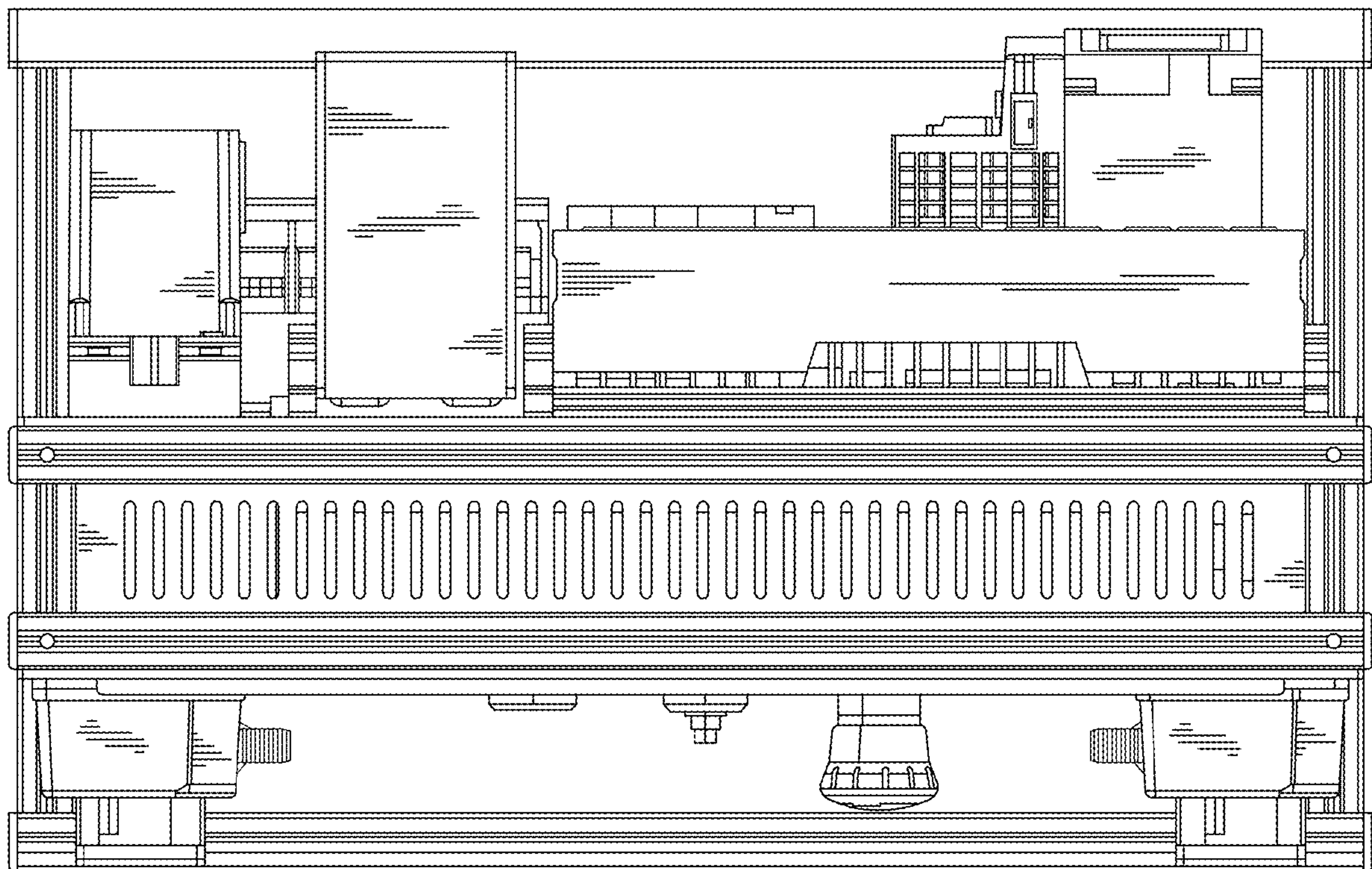


FIG. 4

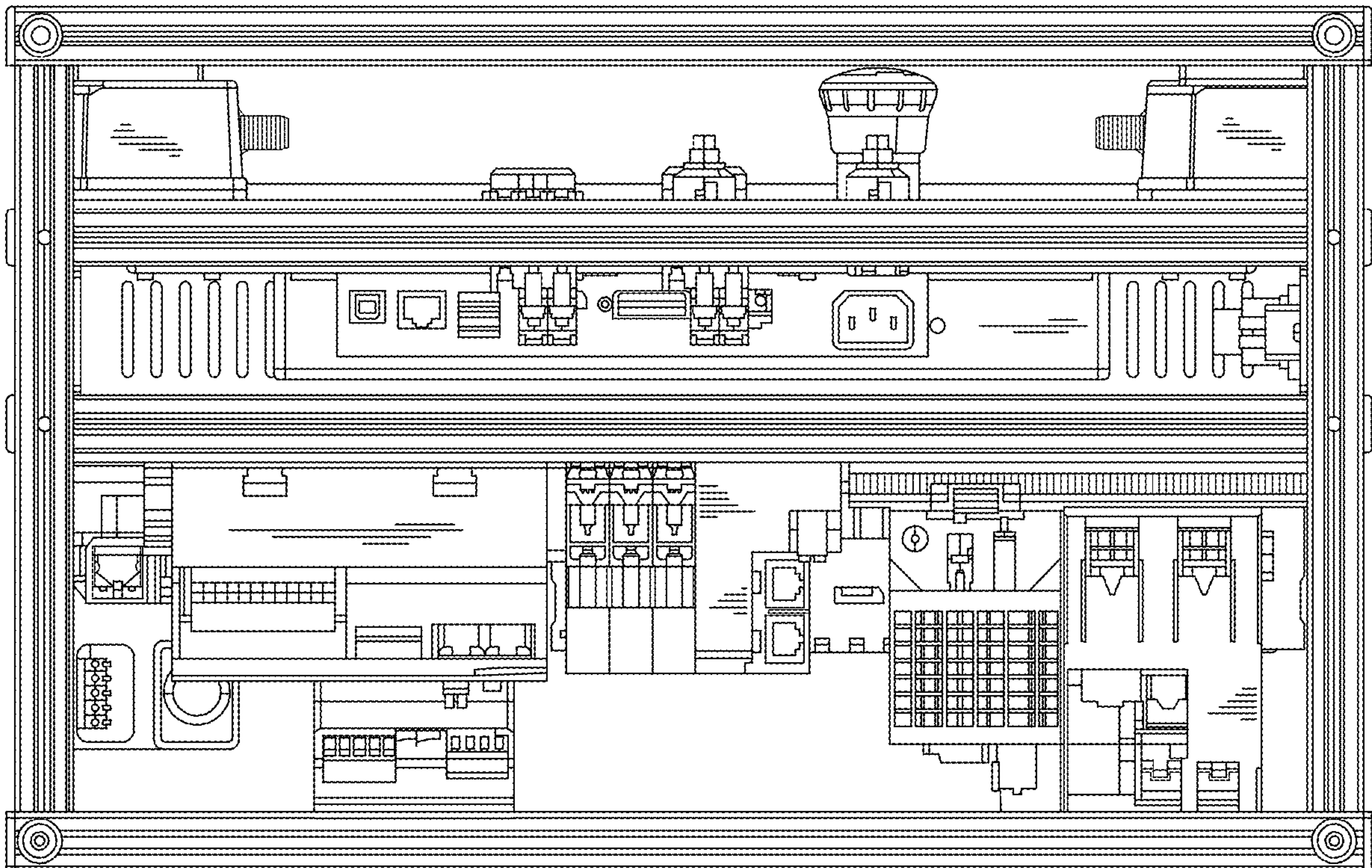




FIG. 5

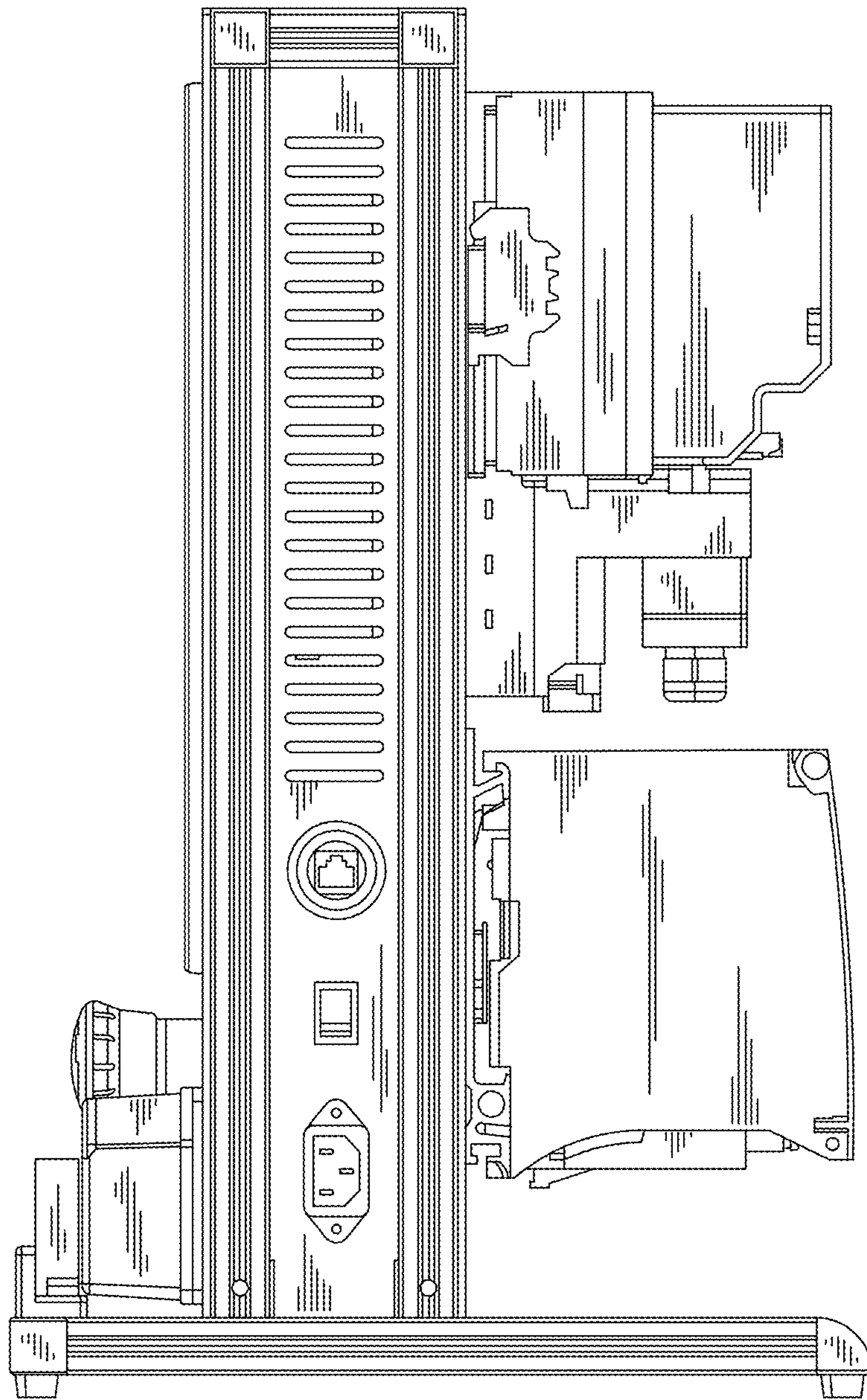


FIG. 6

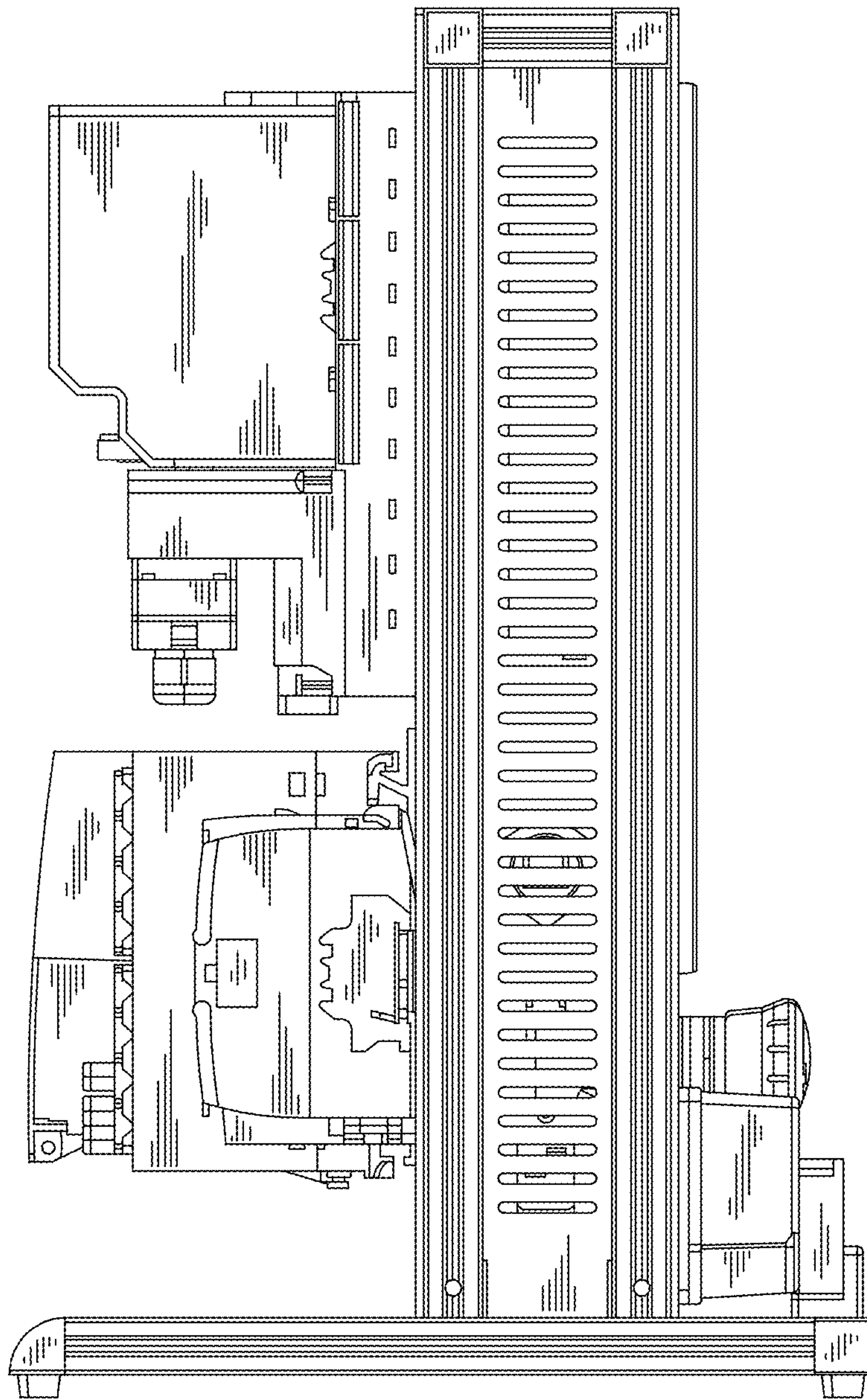




FIG. 7

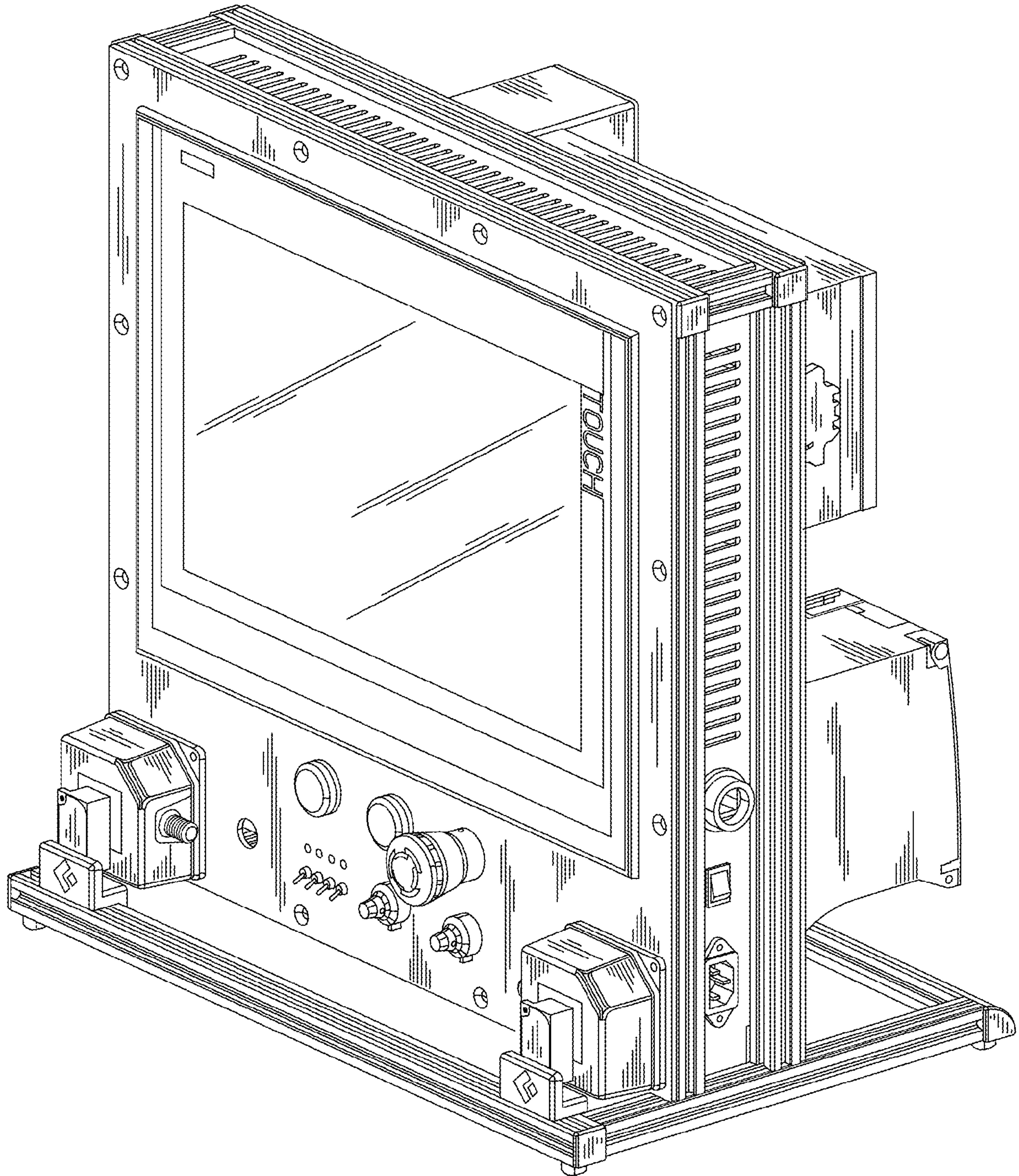




FIG. 8

