



US00D914590S

(12) **United States Design Patent**
Osborn et al.

(10) **Patent No.:** **US D914,590 S**
(45) **Date of Patent:** **** Mar. 30, 2021**

(54) **SOLAR MODULE**

(71) Applicant: **Soliculture, Inc.**, Scotts Valley, CA
(US)

(72) Inventors: **Melissa Osborn**, Scotts Valley, CA
(US); **Shila Alavi**, San Jose, CA (US)

(73) Assignee: **Soliculture, Inc.**, Scotts Valley, CA
(US)

(**) Term: **15 Years**

(21) Appl. No.: **29/669,495**

(22) Filed: **Nov. 8, 2018**

Related U.S. Application Data

(63) Continuation-in-part of application No. 29/557,390,
filed on Mar. 8, 2016, now Pat. No. Des. 877,059,
which is a continuation of application No.
29/453,292, filed on Apr. 26, 2013, now Pat. No. Des.
754,597.

(51) **LOC (13) Cl.** **13-02**

(52) **U.S. Cl.**
USPC **D13/102**

(58) **Field of Classification Search**
USPC D13/101, 102, 107, 133, 184, 199
CPC H01L 31/02; H01L 31/042; H01L 31/048;
H01L 27/142; H01L 27/1421; Y02E
10/40; Y02E 10/47; Y02E 10/50; Y02E
10/52; Y02E 10/54; Y02E 10/544
See application file for complete search history.

(56) **References Cited**

U.S. PATENT DOCUMENTS

D353,129 S * 12/1994 Ricaud D13/102
D767,484 S * 9/2016 Morad D13/102
9,469,896 B2 * 10/2016 Antonaia C23C 14/14
D781,230 S * 3/2017 Gibson D13/102

D788,027 S * 5/2017 Gibson D13/102
D813,153 S * 3/2018 Gibson D13/102
2003/0121228 A1 * 7/2003 Stoehr H01L 31/0512
52/518
2010/0108118 A1 * 5/2010 Luch H01L 31/02008
136/244
2012/0204935 A1 * 8/2012 Meyer F24S 25/37
136/246
2012/0318319 A1 * 12/2012 Pinarbasi H01L 31/0201
136/244
2013/0133743 A1 * 5/2013 Grah B32B 27/32
136/259

(Continued)

Primary Examiner — Derrick E Holland

(74) *Attorney, Agent, or Firm* — Richard T. Ogawa;
Ogawa P.C.

(57) **CLAIM**

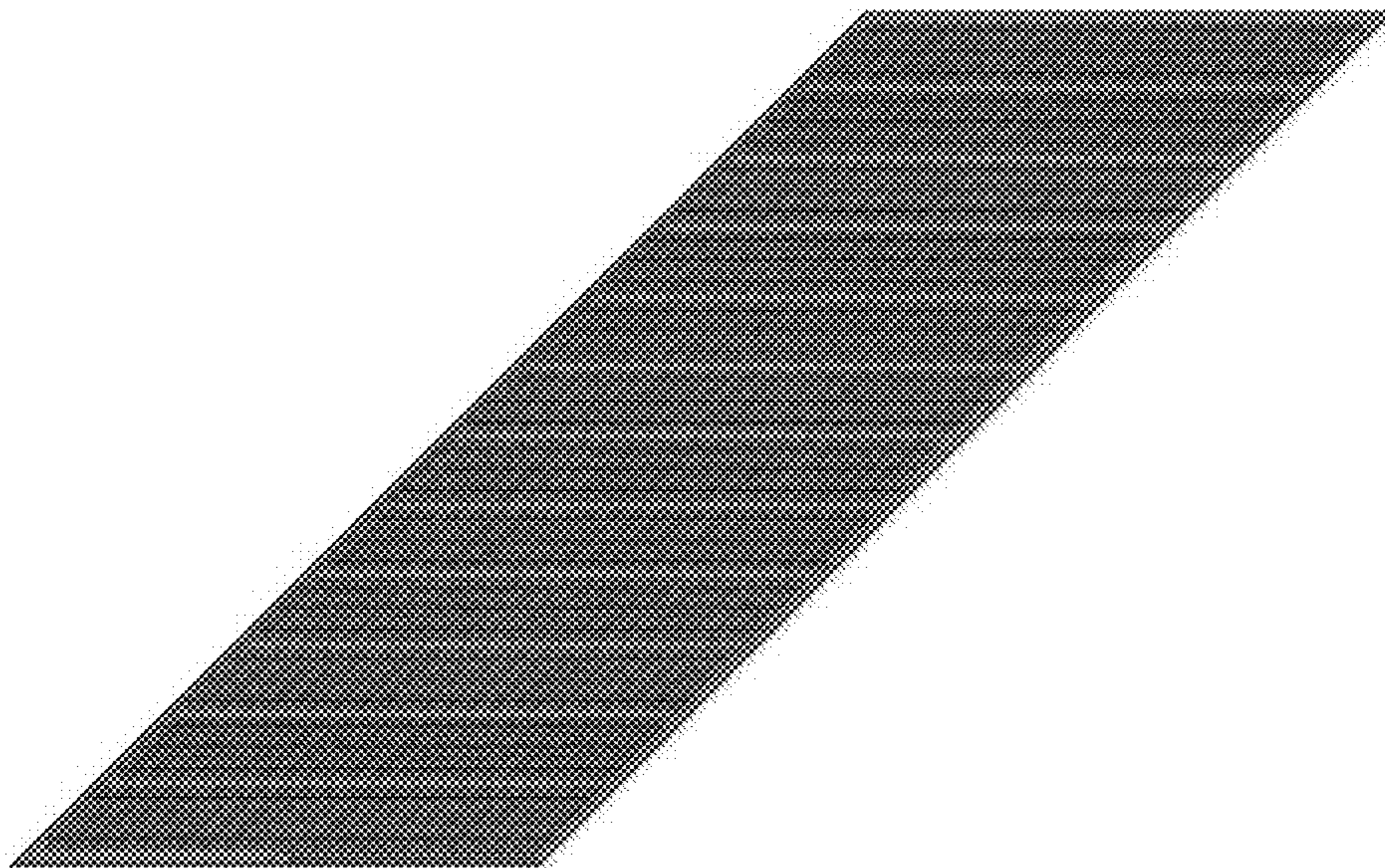
The ornamental design for a solar module, as shown and
described.

DESCRIPTION

The patent or application file contains at least one drawing
executed in color. Copies of this patent or patent application
publication with color drawing(s) will be provided by the
Office upon request and payment of the necessary fee.

FIG. 1 is a color perspective view of a solar module showing
our new design;
FIG. 2 is a front color view thereof;
FIG. 3 is a back color view thereof;
FIG. 4 is a top color view thereof, with a partially enlarged
area shown for ease of illustration;
FIG. 5 is a bottom color view thereof, with a partially
enlarged area shown for ease of illustration;
FIG. 6 is a first, side color view thereof, with a partially
enlarged area shown for ease of illustration; and,
FIG. 7 is a second, side color view thereof, with a partially
enlarged area shown for ease of illustration.

1 Claim, 7 Drawing Sheets
(7 of 7 Drawing Sheet(s) Filed in Color)



(56)

References Cited

U.S. PATENT DOCUMENTS

2013/0269748 A1* 10/2013 Wiedeman H01L 31/048
136/244
2014/0352765 A1* 12/2014 Nakamura H01G 9/2068
136/251
2015/0171239 A1* 6/2015 Tanaka H01L 31/02242
136/256

* cited by examiner

FIGURE 1



FIGURE 2

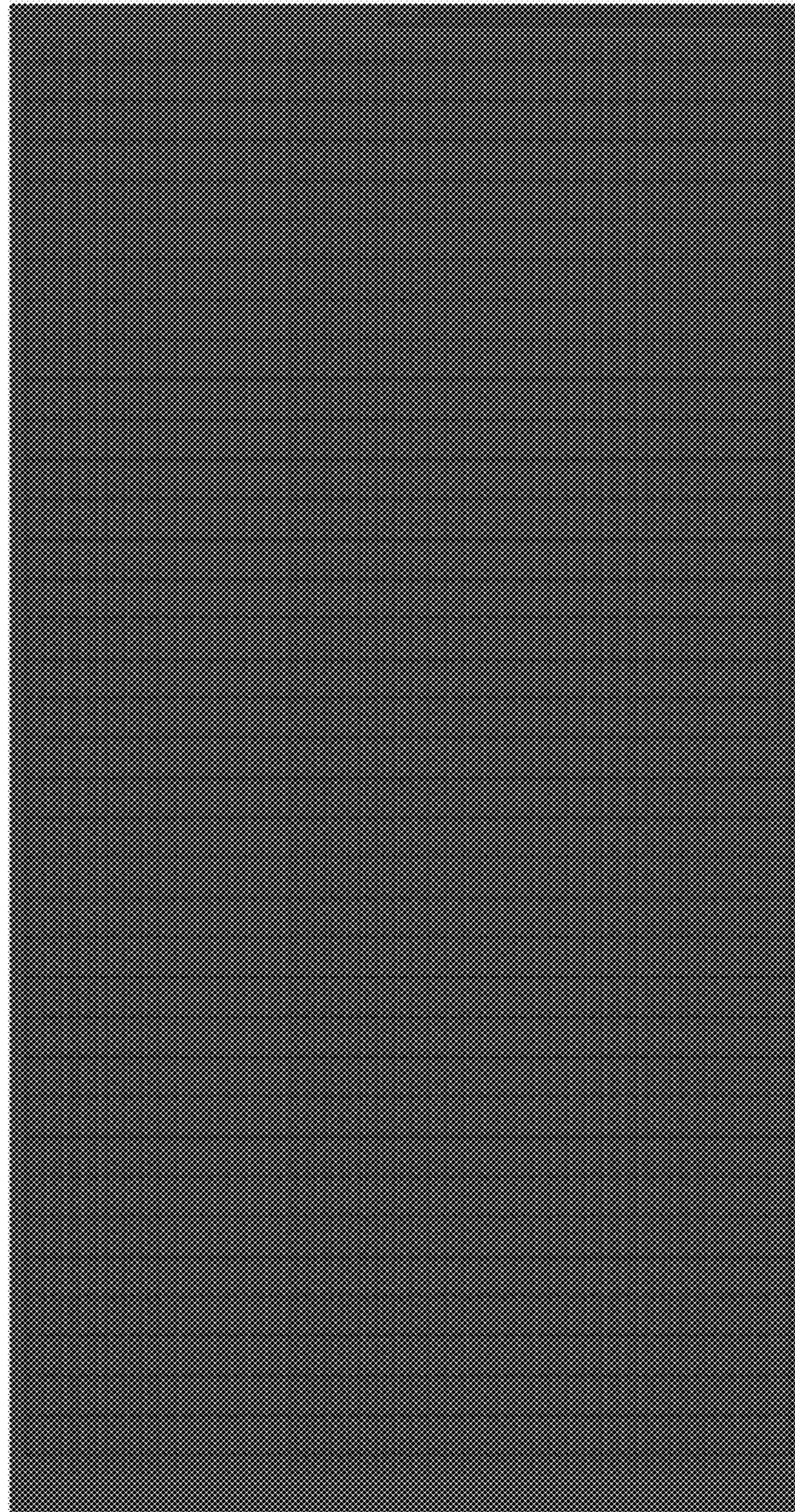


FIGURE 3

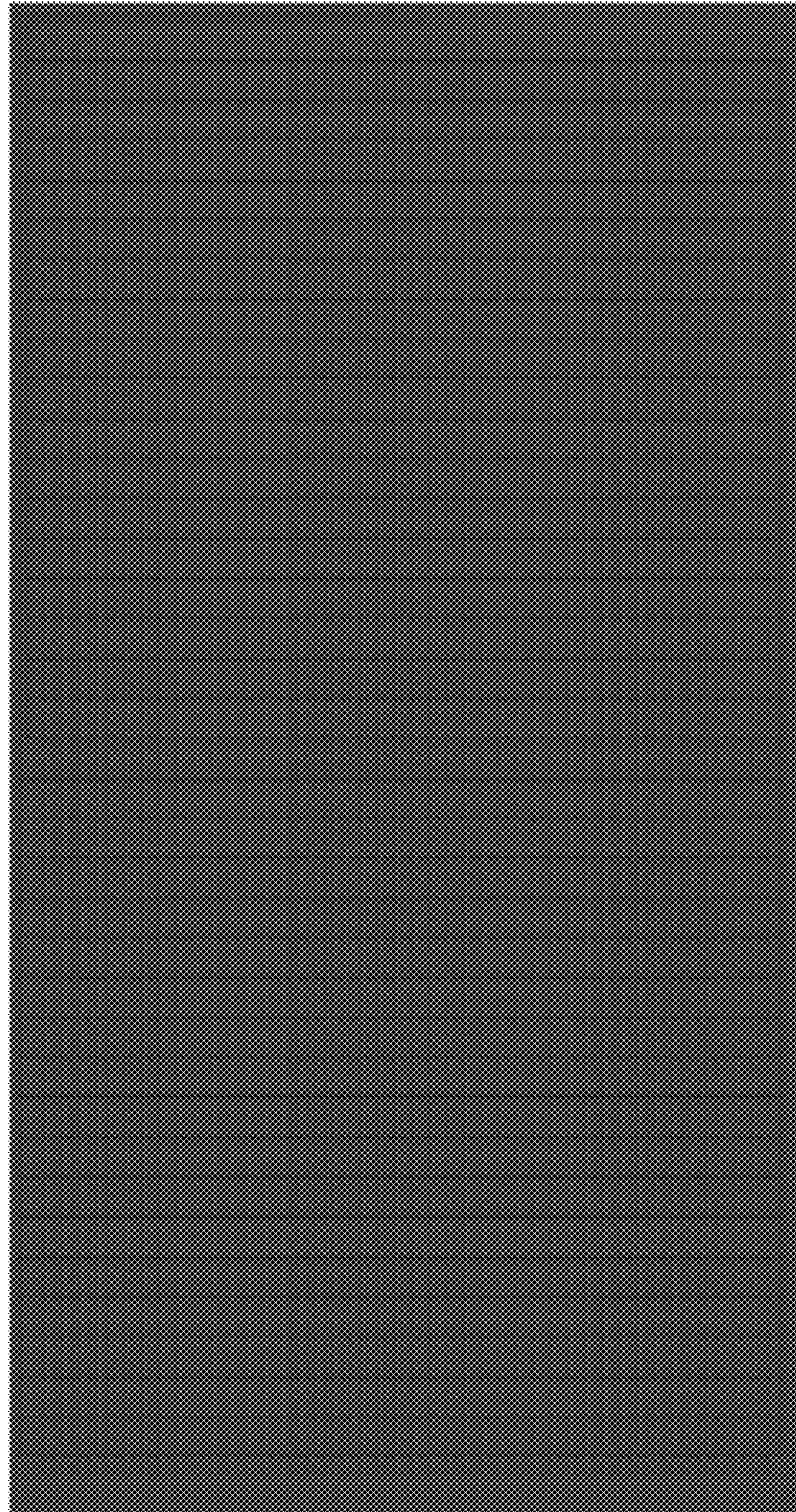


FIGURE 4

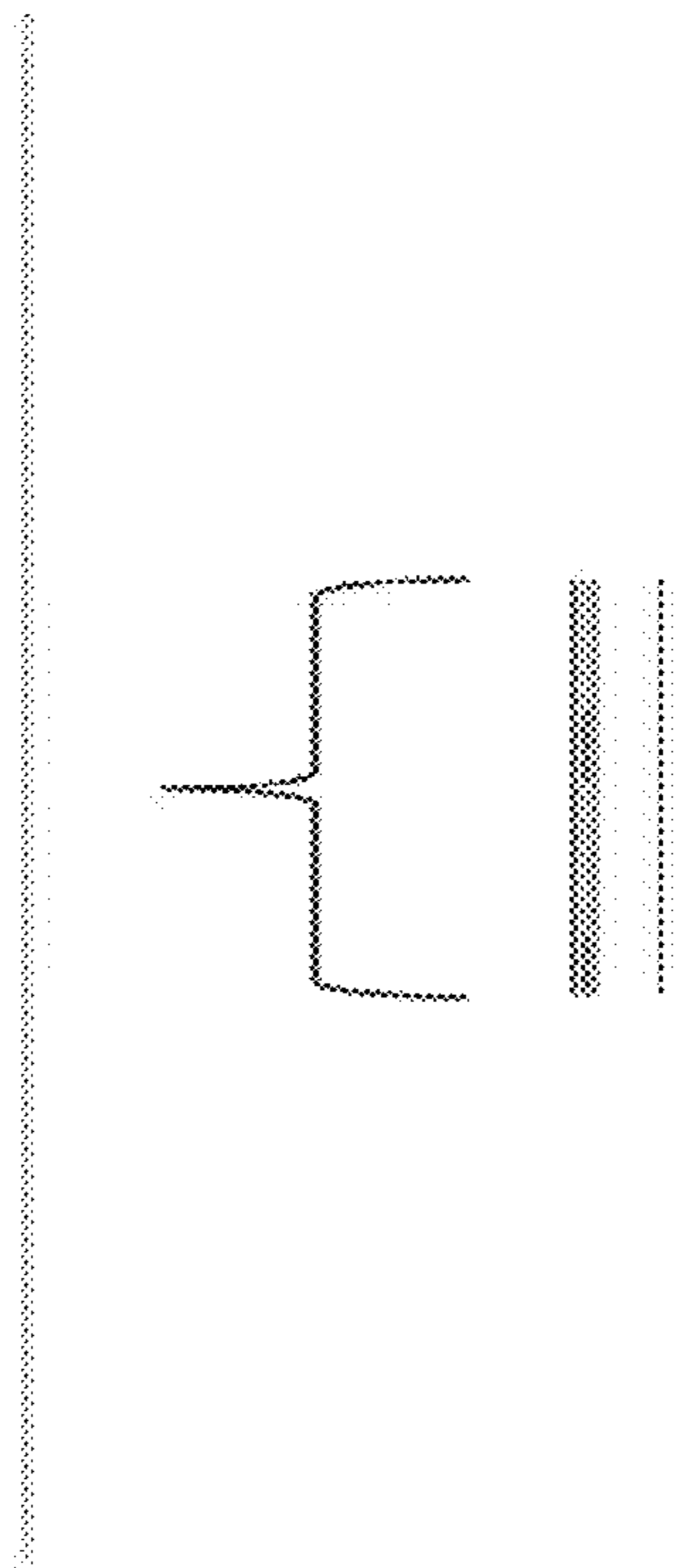


FIGURE 5

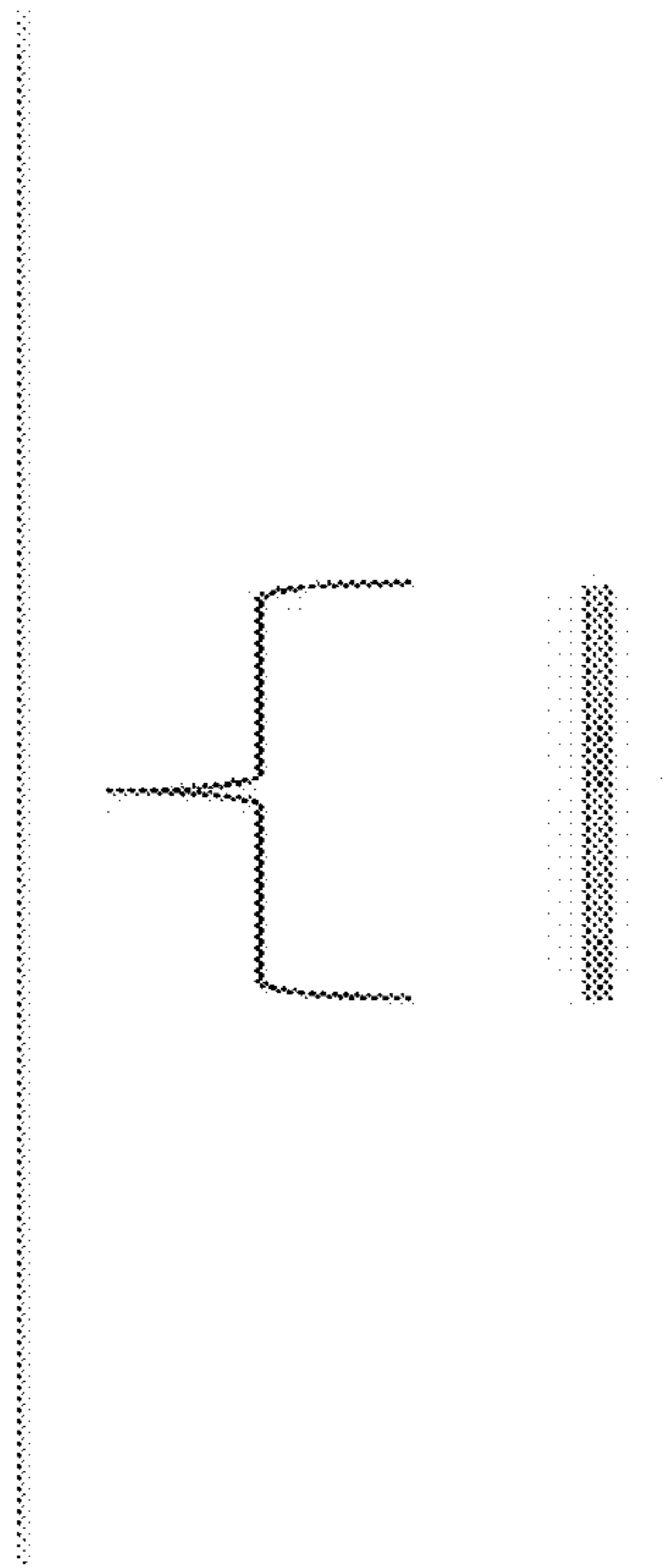


FIGURE 6

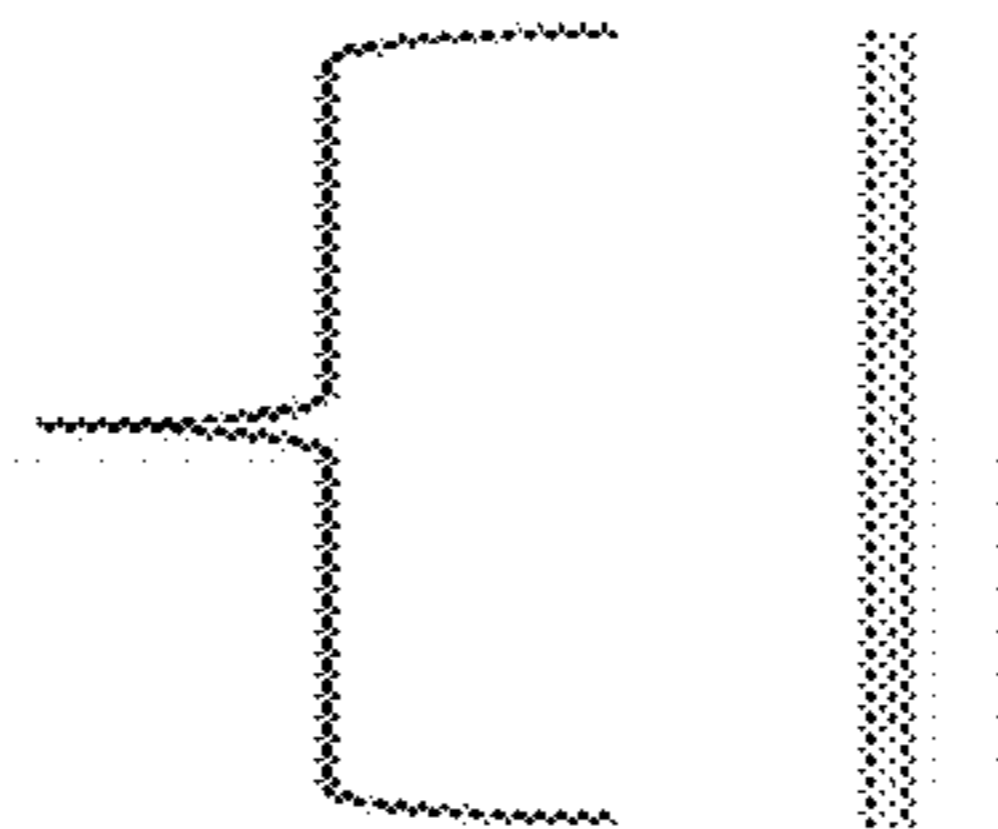


FIGURE 7

