



US00D914584S

(12) **United States Design Patent**  
**Shimizu**

(10) **Patent No.:** **US D914,584 S**  
(45) **Date of Patent:** **\*\* Mar. 30, 2021**

- (54) **AUTOMOBILE TIRE**
- (71) Applicant: **THE YOKOHAMA RUBBER CO., LTD.**, Tokyo (JP)
- (72) Inventor: **Masatoshi Shimizu**, Hiratsuka (JP)
- (73) Assignee: **THE YOKOHAMA RUBBER CO., LTD.**, Tokyo (JP)
- (\*\*) Term: **15 Years**
- (21) Appl. No.: **29/687,113**
- (22) Filed: **Apr. 10, 2019**
- (30) **Foreign Application Priority Data**  
Oct. 10, 2018 (JP) ..... 2018-022220
- (51) **LOC (13) Cl.** ..... **12-15**
- (52) **U.S. Cl.**  
USPC ..... **D12/523**
- (58) **Field of Classification Search**  
USPC ..... D12/519, 521, 522, 523, 527, 528, 531, D12/532  
CPC ..... B60C 3/06; B60C 9/17; B60C 11/0304  
See application file for complete search history.

- D761,716 S \* 7/2016 Albouy ..... D12/518
- D786,773 S \* 5/2017 Raatikainen ..... D12/519
- D786,776 S \* 5/2017 Aoki ..... D12/521
- D795,163 S \* 8/2017 Digman ..... D12/519
- D807,279 S \* 1/2018 Hung ..... D12/519
- D828,280 S \* 9/2018 Tae Min ..... D12/519
- D872,684 S \* 1/2020 Kawagoe ..... D12/521

\* cited by examiner

*Primary Examiner* — Robert M. Spear

(74) *Attorney, Agent, or Firm* — Banner & Witcoff, Ltd.

(57) **CLAIM**

The ornamental design for an automobile tire, as shown and described.

**DESCRIPTION**

FIG. 1 is a perspective view of an automobile tire showing my design;  
 FIG. 2 is a front view thereof;  
 FIG. 3 is a rear view thereof;  
 FIG. 4 is a right side view thereof;  
 FIG. 5 is a left side view thereof;  
 FIG. 6 is a top view thereof;  
 FIG. 7 is a bottom view thereof;  
 FIG. 8 is a partially enlarged view of a portion defined by lines 8-8 shown in FIG. 1;  
 FIG. 9 is a partially enlarged view of a portion defined by lines 9-9 shown in FIG. 2; and,  
 FIG. 10 is a cross sectional view of a portion defined by lines 10-10 shown in FIG. 9.

In the drawings, the broken lines depict environmental subject matter only and form no part of the claimed design. The dot and dashed lines represents a boundary between the claimed portion and the non-claimed portion.

(56) **References Cited**

**U.S. PATENT DOCUMENTS**

- D601,939 S \* 10/2009 Fontaine ..... D12/519
- D630,998 S \* 1/2011 Schmalix ..... D12/519
- D634,261 S \* 3/2011 Schmalix ..... D12/519
- D648,668 S \* 11/2011 Kujime ..... D12/519
- D743,872 S \* 11/2015 Huang ..... D12/519
- D758,954 S \* 6/2016 Albouy ..... D12/518

**1 Claim, 10 Drawing Sheets**

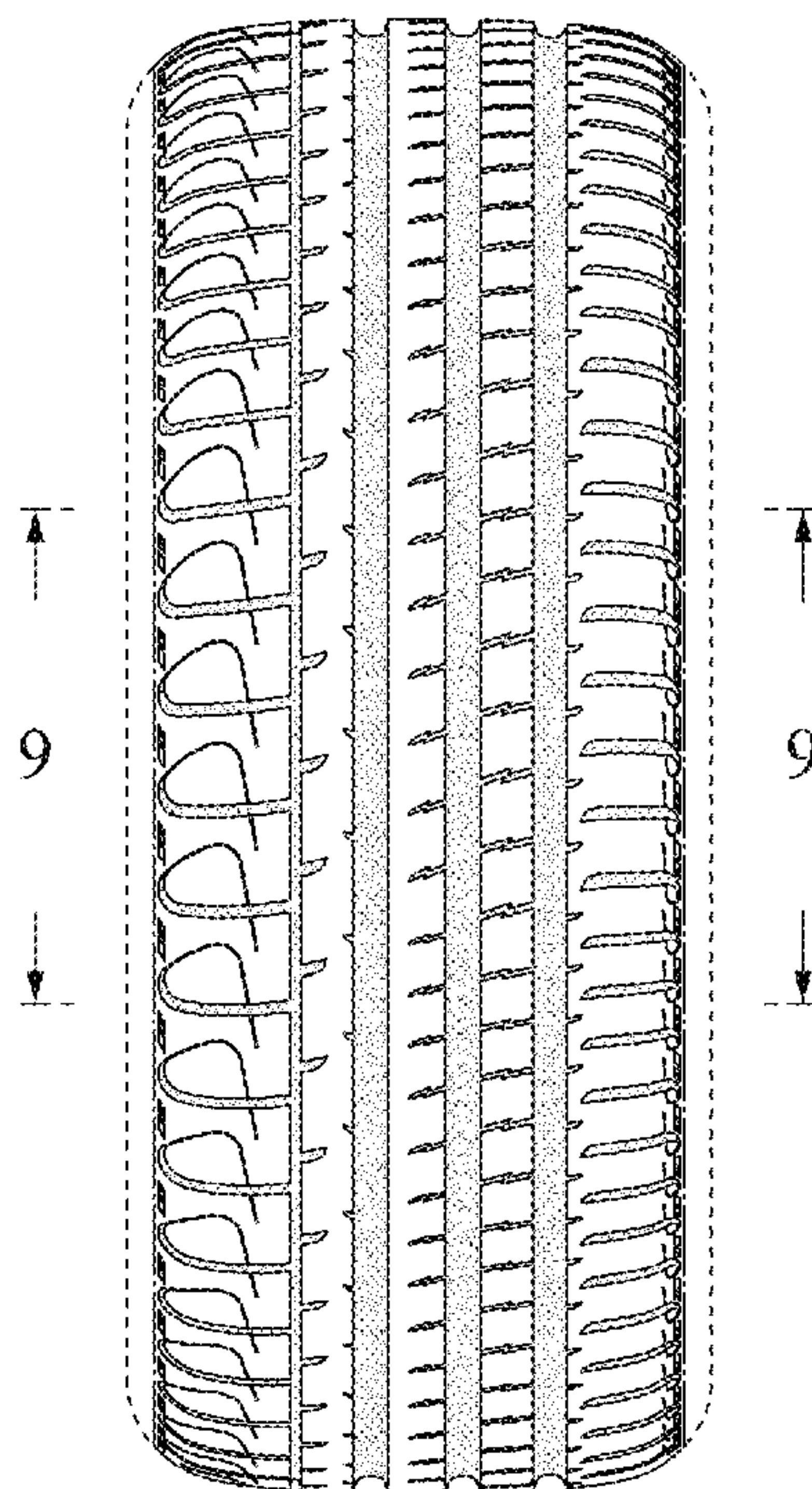


FIG. 1

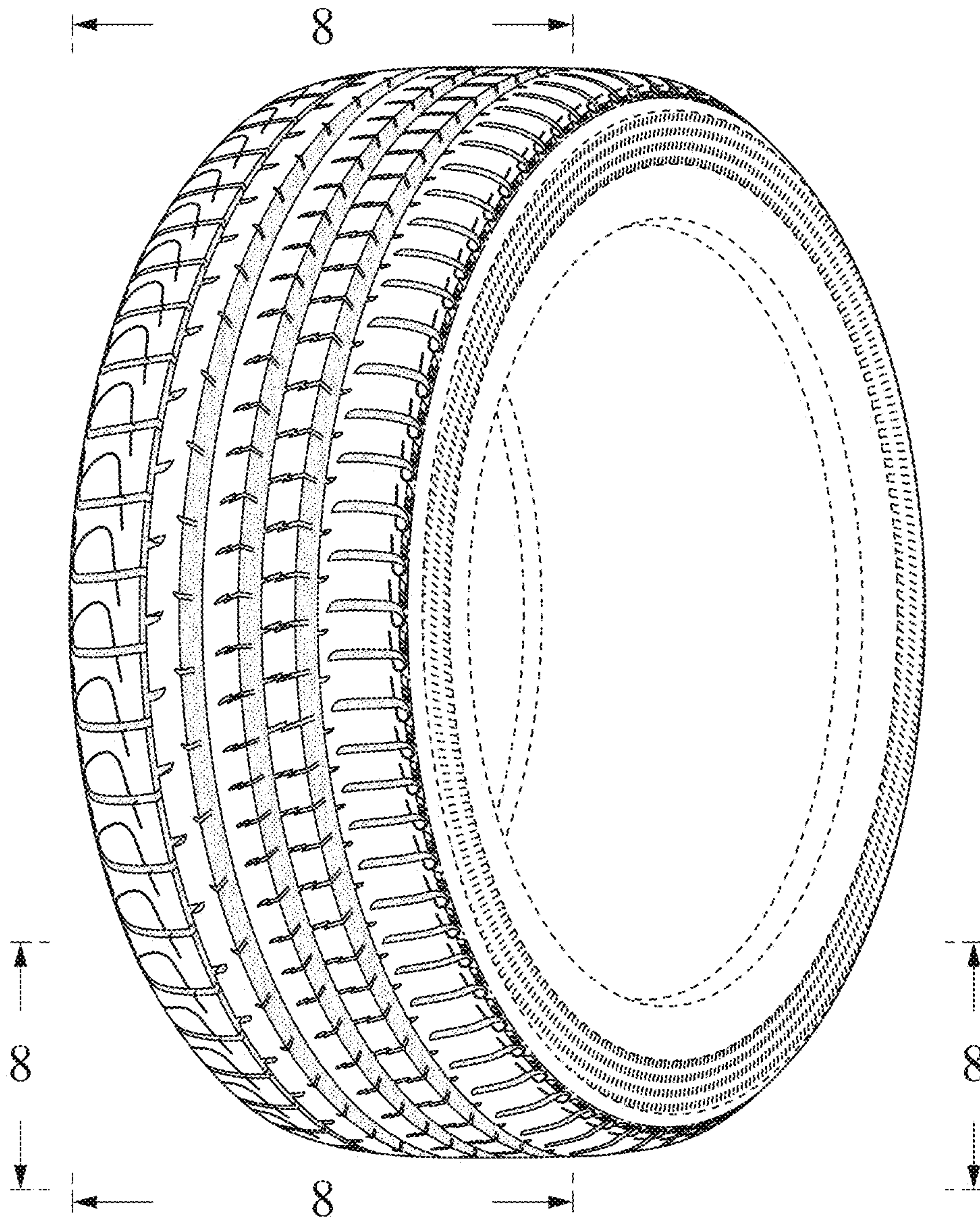
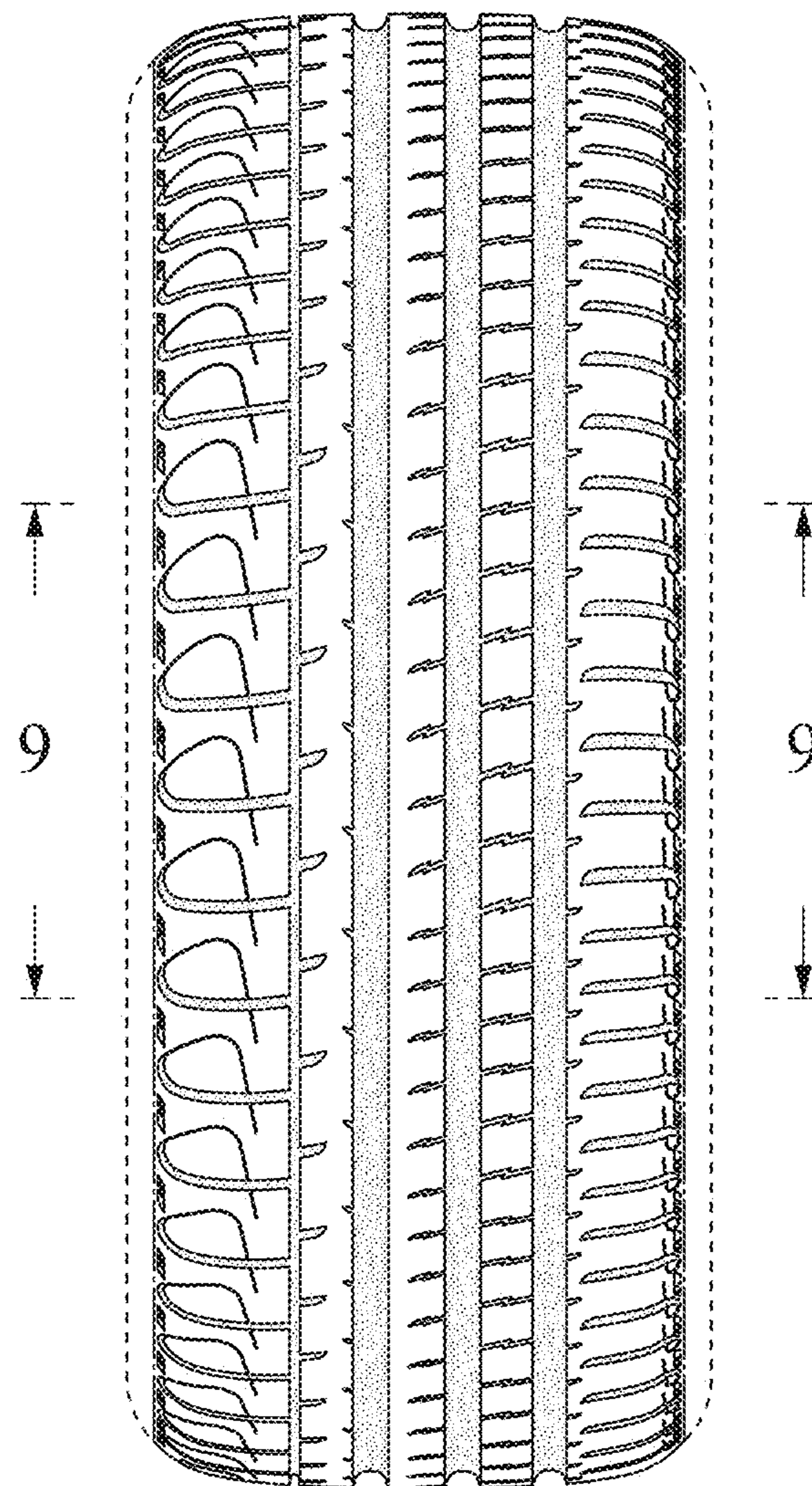




FIG. 2



**FIG. 3**

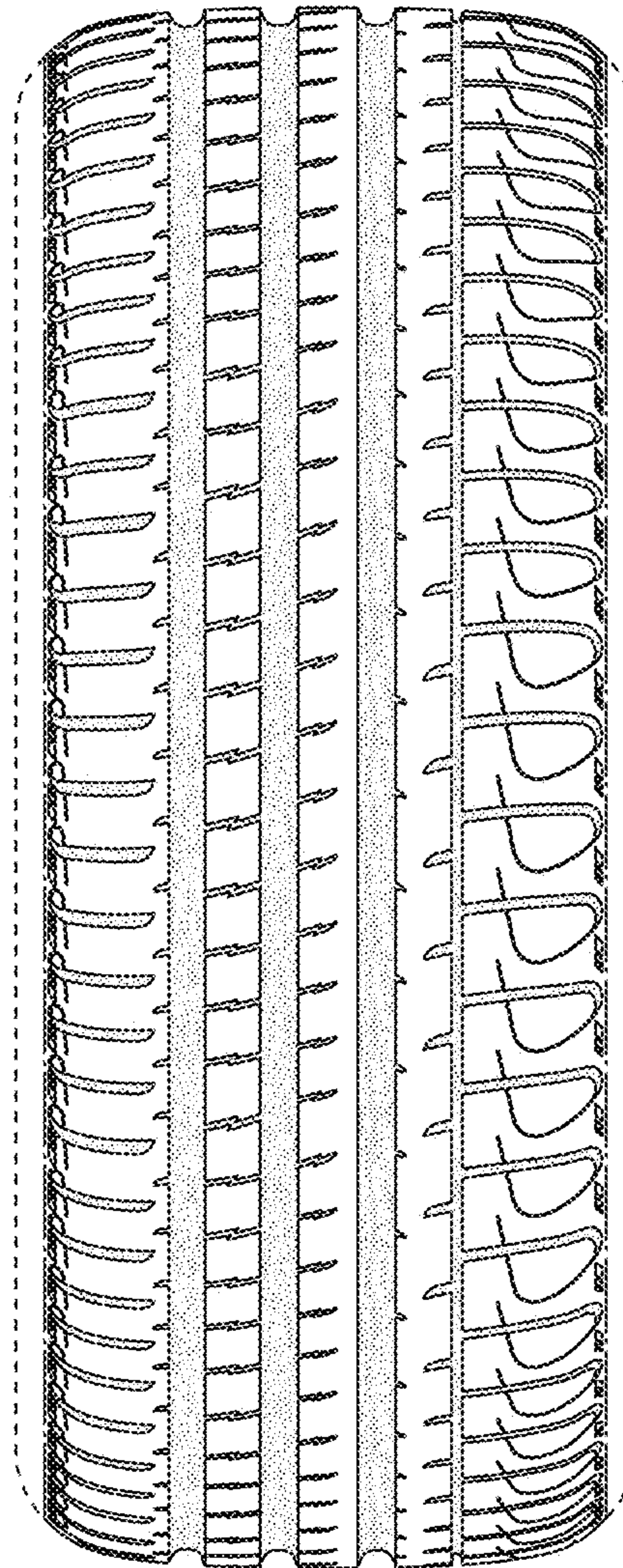
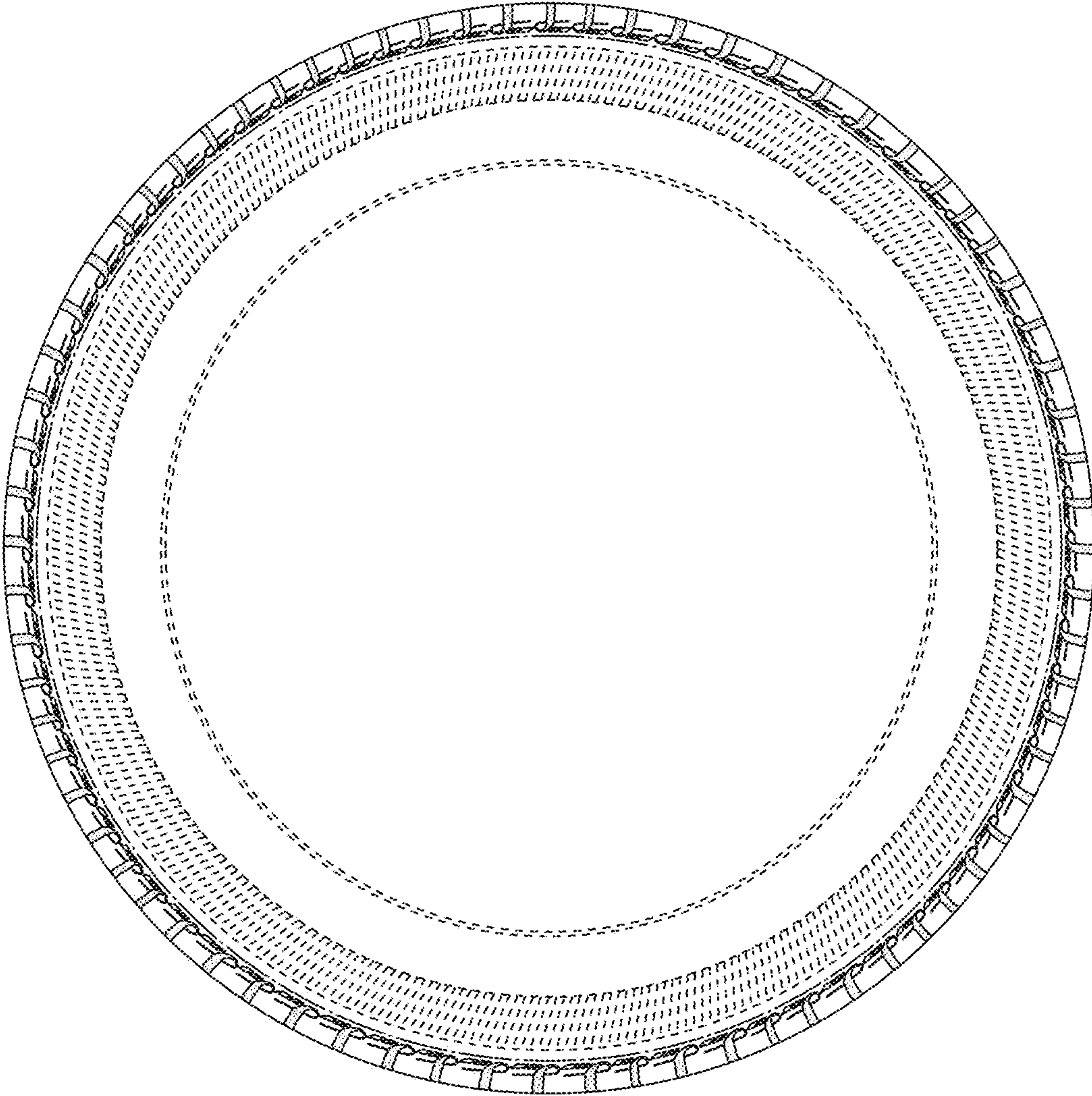
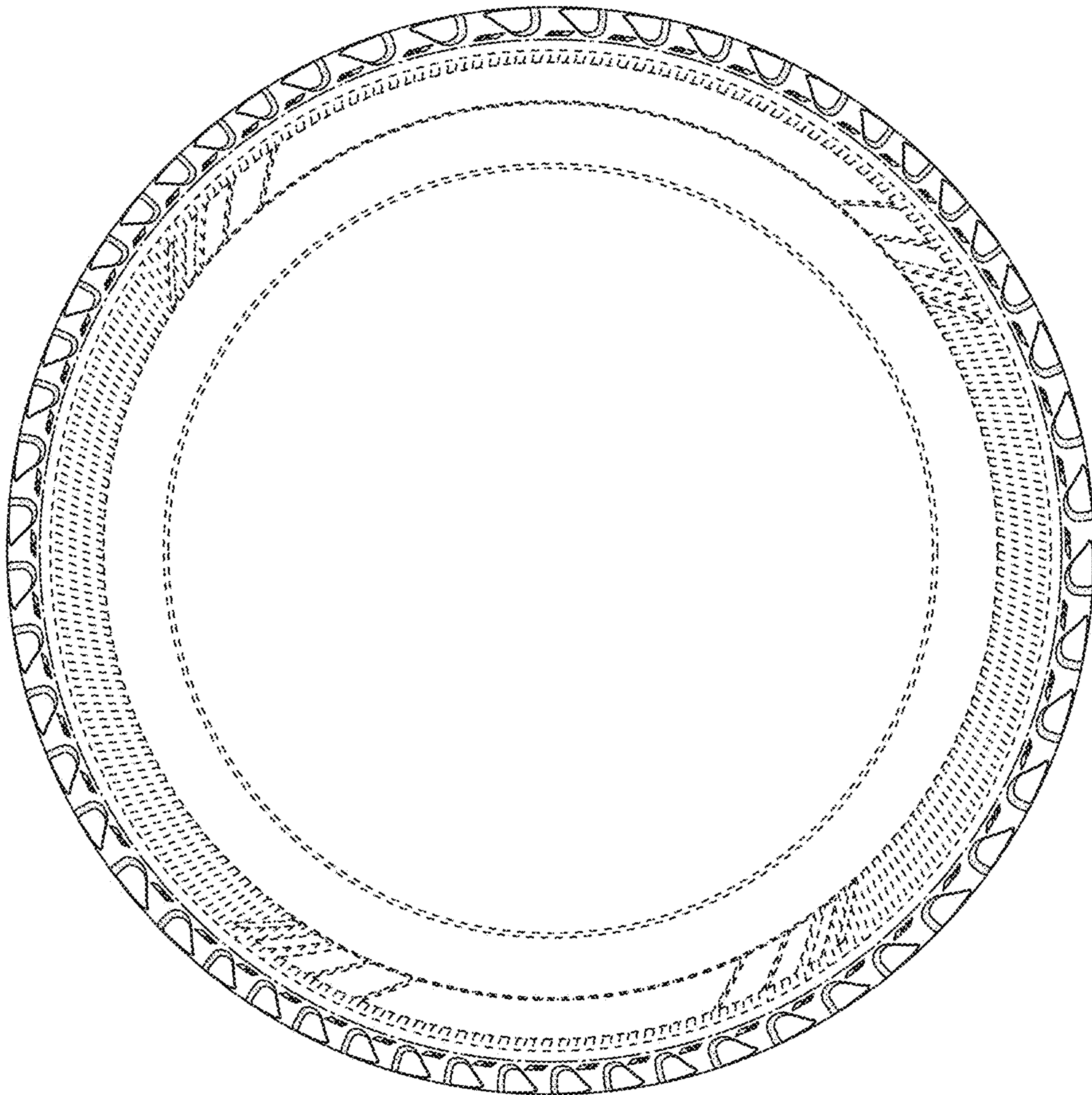


FIG. 4

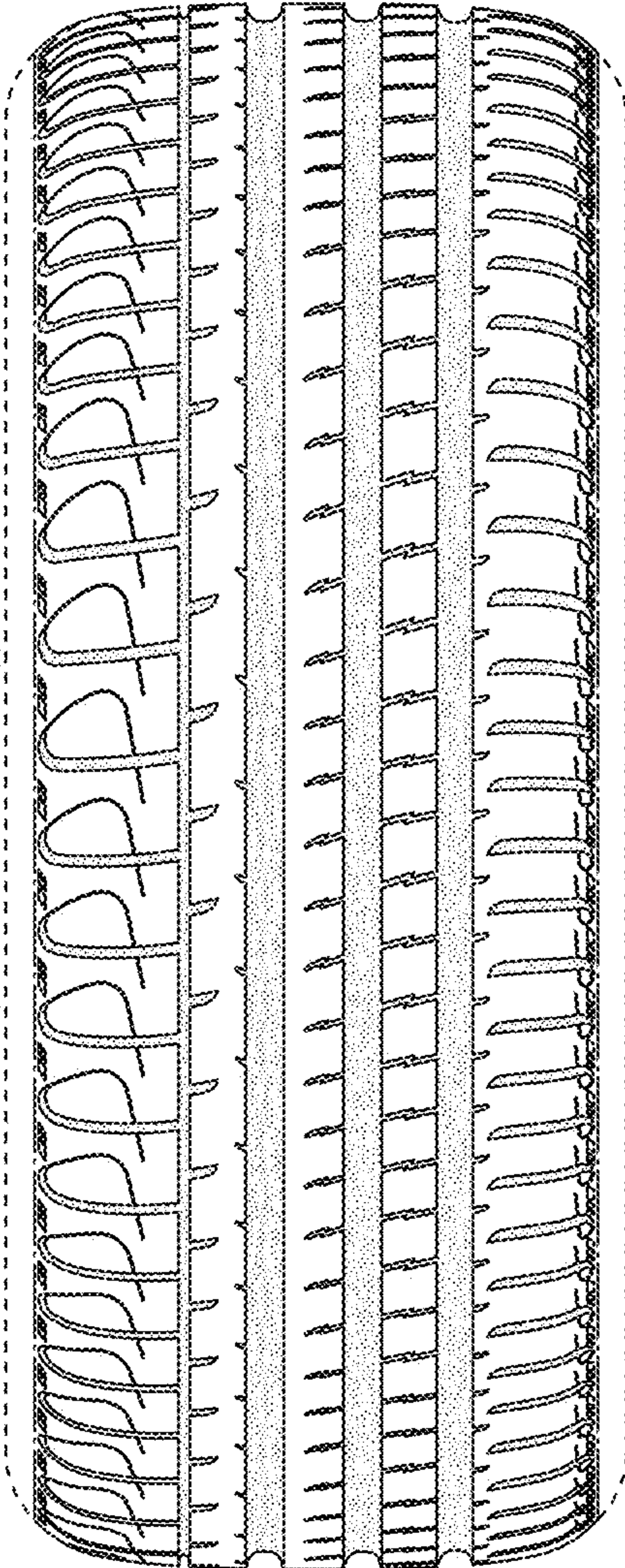




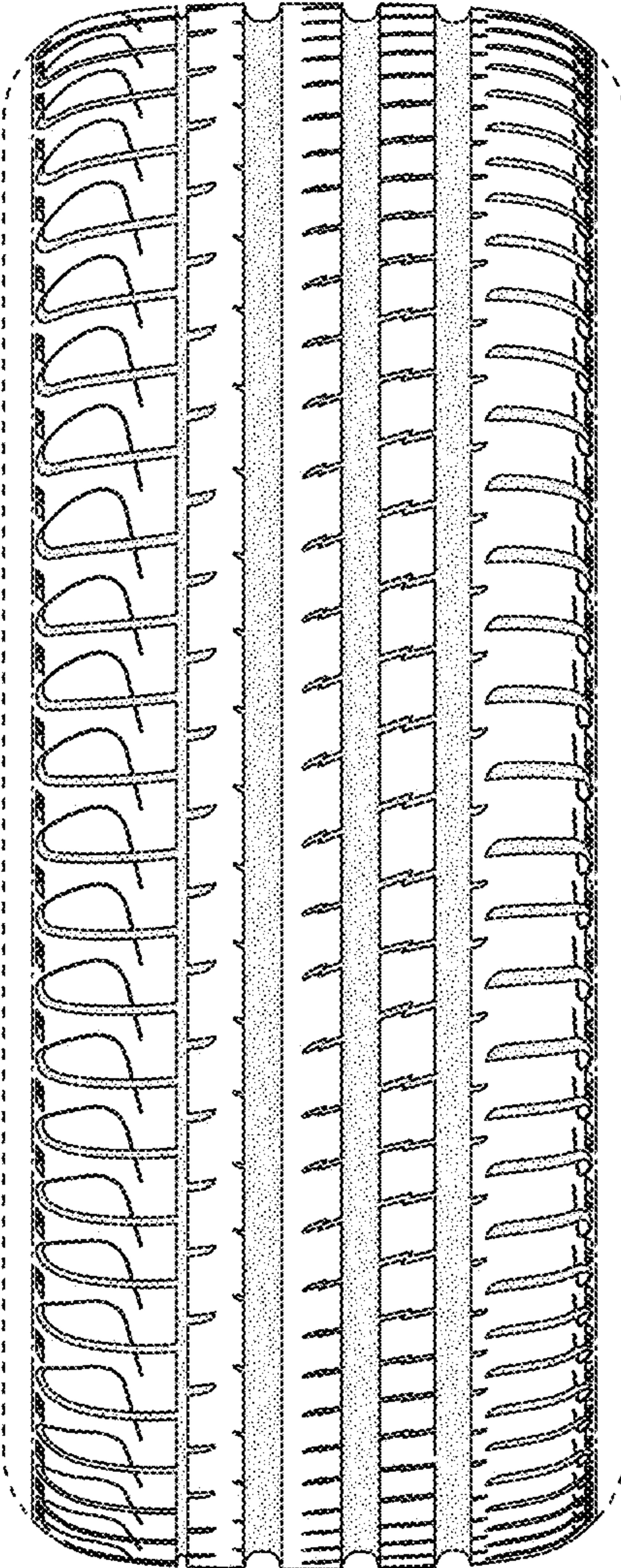
**FIG. 5**



**FIG. 6**



**FIG. 7**





**FIG. 8**

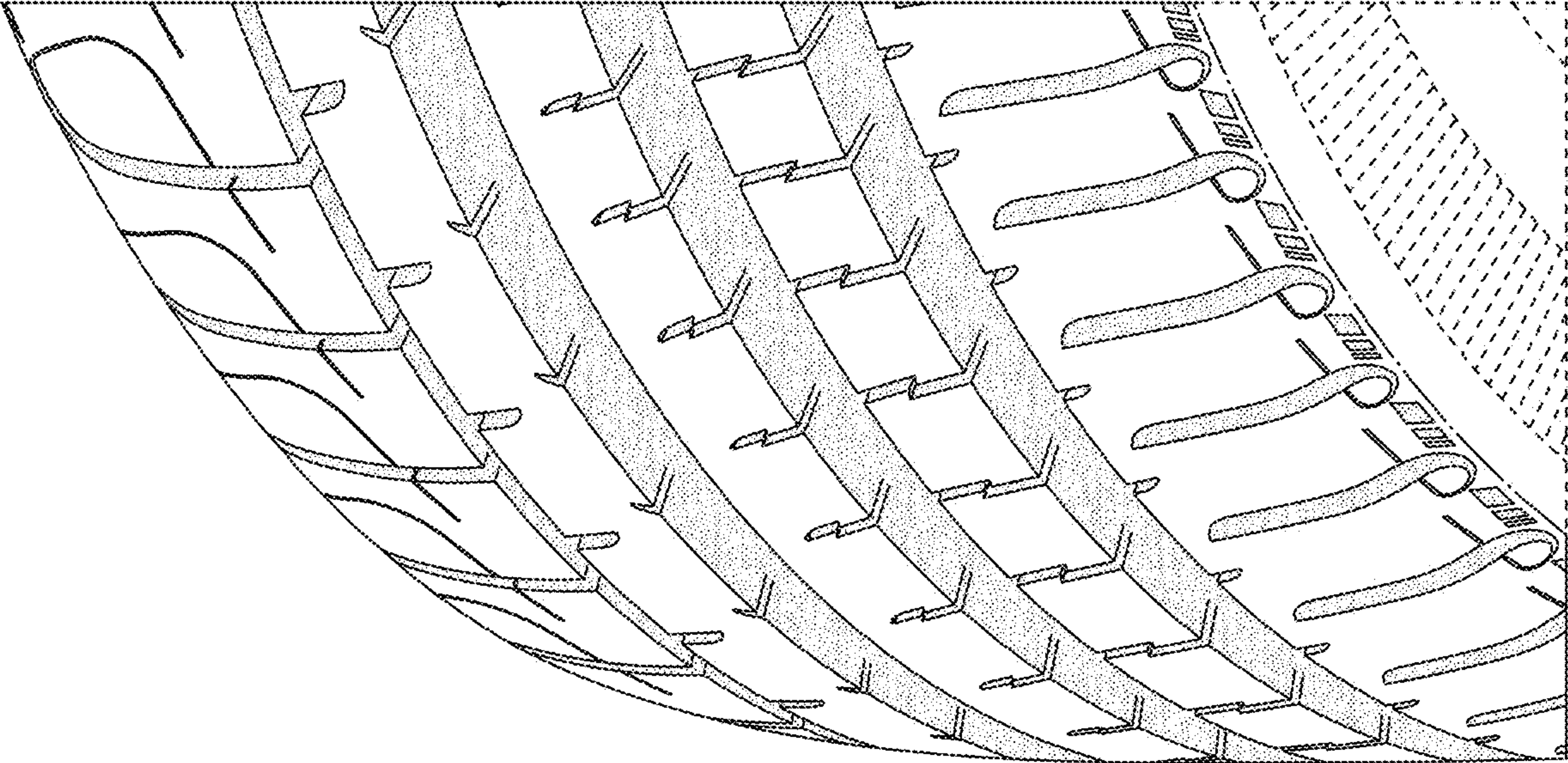
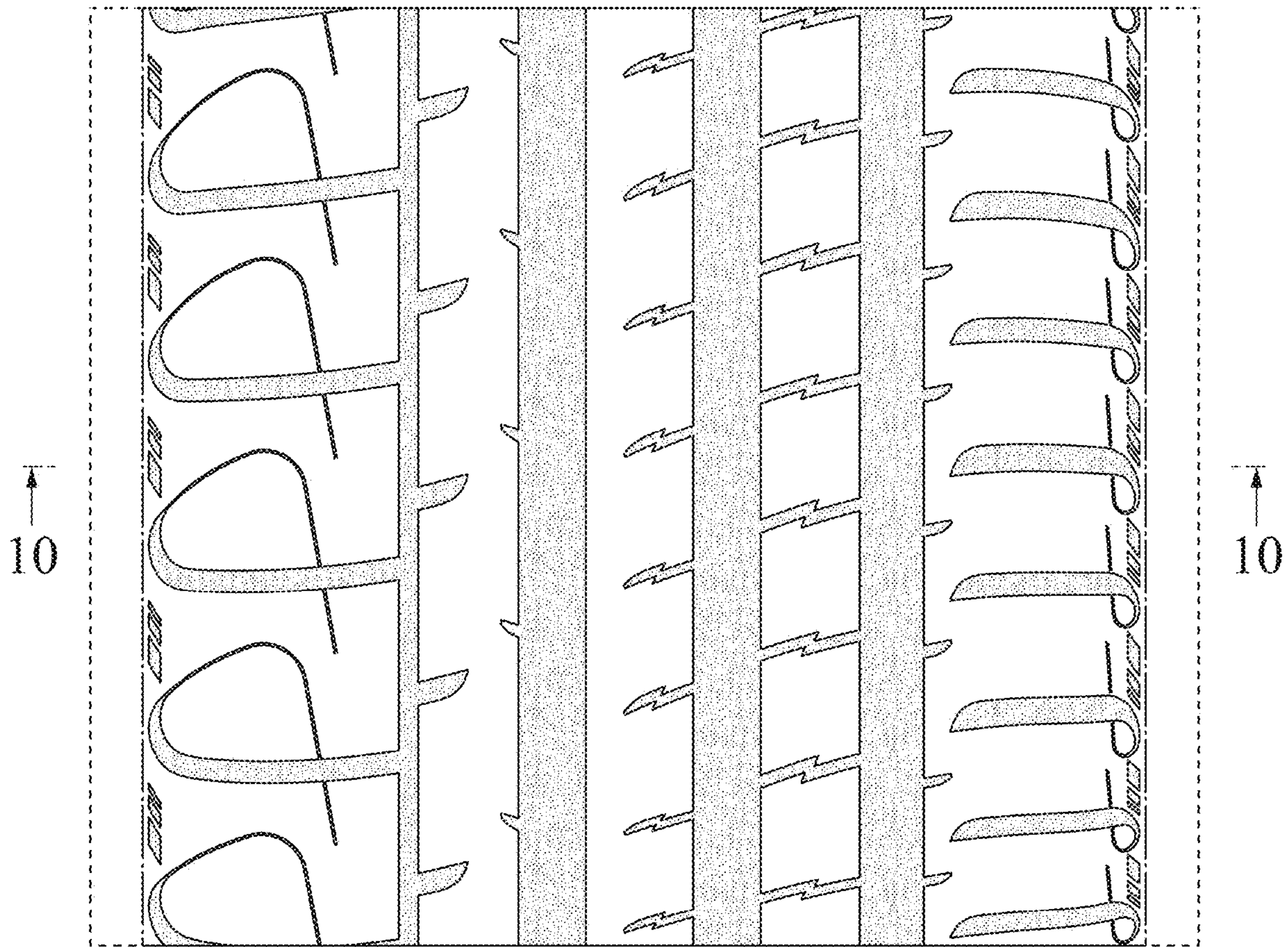


FIG. 9





**FIG. 10**

