



US00D914582S

(12) **United States Design Patent**
Sugiyama

(10) **Patent No.:** **US D914,582 S**

(45) **Date of Patent:** **** Mar. 30, 2021**

(54) **AUTOMOBILE TIRE**

Primary Examiner — Robert M. Spear

(71) Applicant: **THE YOKOHAMA RUBBER CO., LTD.**, Tokyo (JP)

(74) *Attorney, Agent, or Firm* — Banner & Witcoff, Ltd.

(72) Inventor: **Daichi Sugiyama**, Hiratsuka (JP)

(57) **CLAIM**

(73) Assignee: **THE YOKOHAMA RUBBER CO., LTD.**, Tokyo (JP)

The ornamental design for an automobile tire, as shown and described.

(**) Term: **15 Years**

(21) Appl. No.: **29/726,112**

DESCRIPTION

(22) Filed: **Feb. 28, 2020**

(30) **Foreign Application Priority Data**

Aug. 30, 2019 (JP) 2019-019391

(51) **LOC (13) Cl.** **12-15**

(52) **U.S. Cl.**
USPC **D12/517**

(58) **Field of Classification Search**
USPC D12/515, 517, 518, 519, 520, 521, 523,
D12/524, 527, 528, 531, 532
CPC B60C 3/06; B60C 9/17; B60C 11/0304
See application file for complete search history.

FIG. 1 is a perspective view of an automobile tire showing my design;
FIG. 2 is a front view thereof;
FIG. 3 is a rear view thereof;
FIG. 4 is a right side view thereof;
FIG. 5 is a left side view thereof;
FIG. 6 is a top view thereof;
FIG. 7 is a bottom view thereof;
FIG. 8 is a partially enlarged view of a portion defined by lines 8-8 shown in FIG. 1;
FIG. 9 is a partially enlarged view of a portion defined by lines 9-9 shown in FIG. 2; and,
FIG. 10 is a cross sectional view of a portion defined by lines 10-10 shown in FIG. 9.

(56) **References Cited**

U.S. PATENT DOCUMENTS

D846,484 S * 4/2019 Raganella D12/523
D883,904 S * 5/2020 Matsumoto D12/523
D892,028 S * 8/2020 Miyake D12/518

In the drawings, the broken lines depict environmental subject matter only and form no part of the claimed design. The dot and dashed lines represents a boundary between the claimed portion and the non-claimed portion.

* cited by examiner

1 Claim, 10 Drawing Sheets

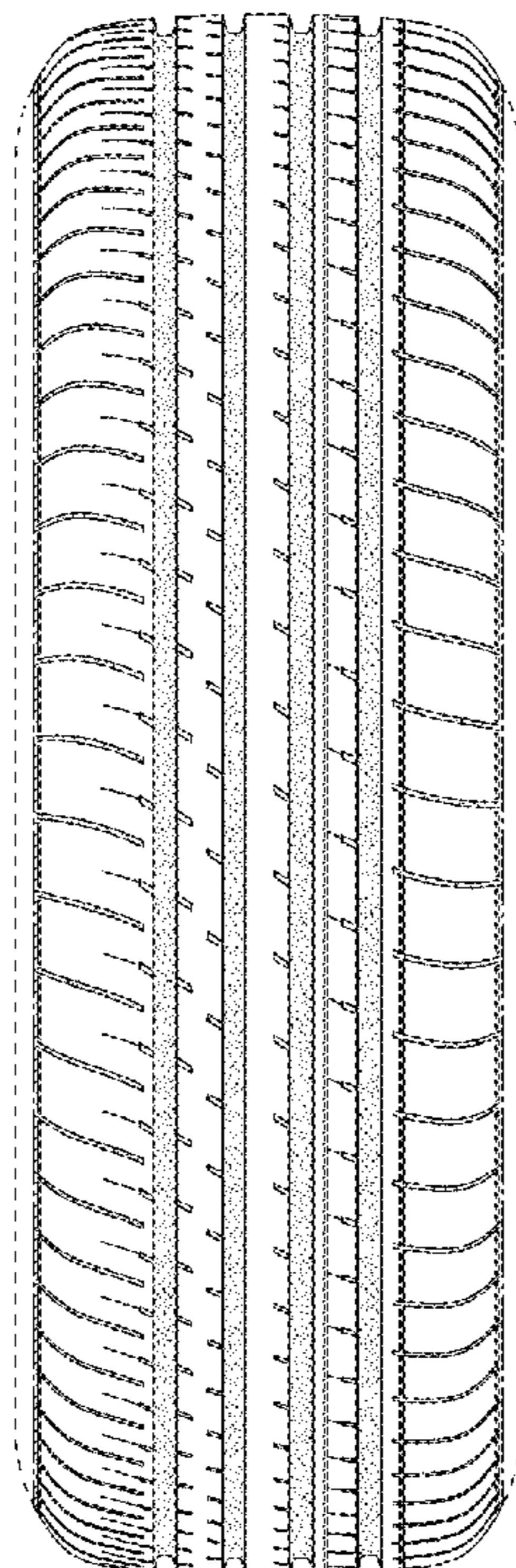


FIG. 1

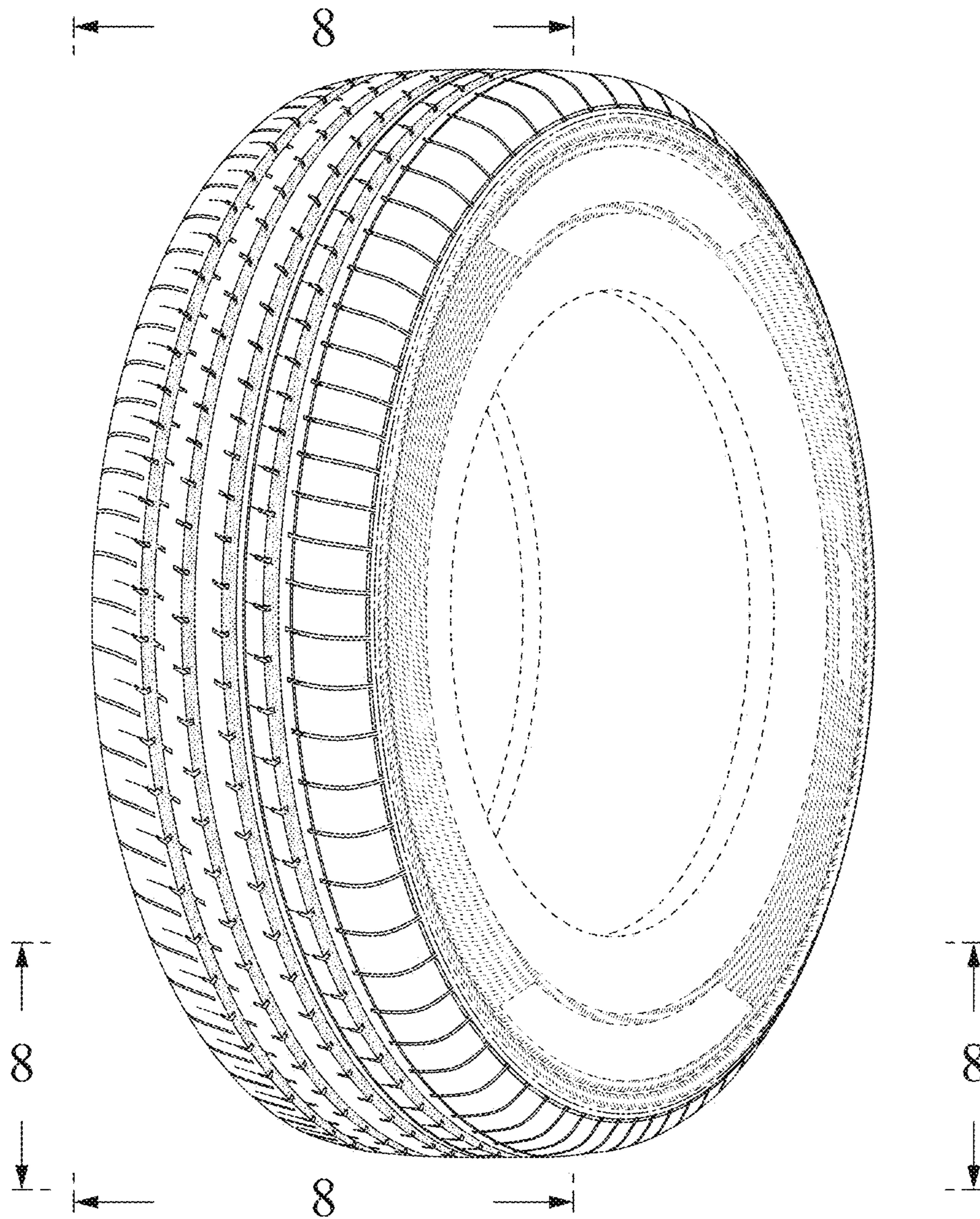


FIG. 2

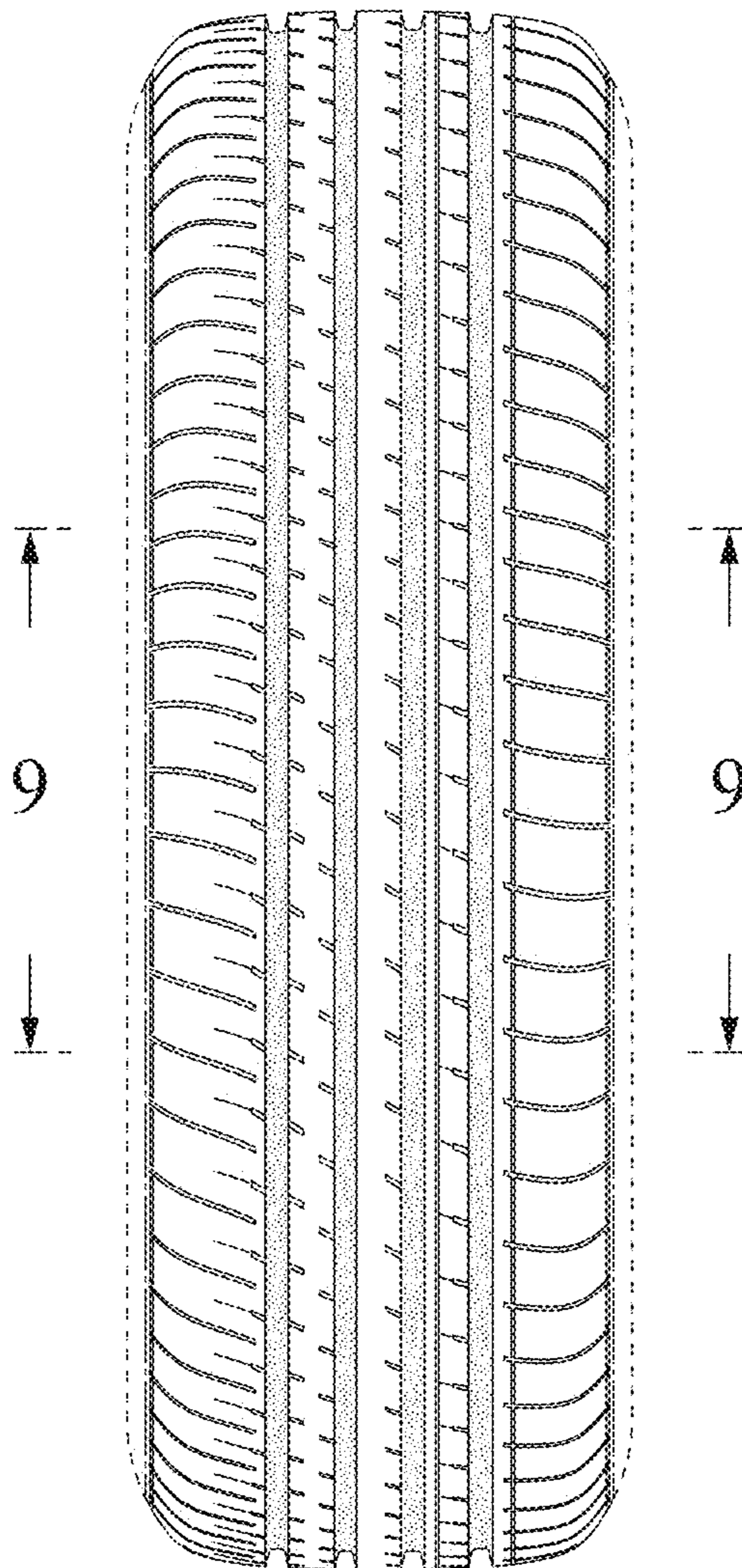


FIG. 3

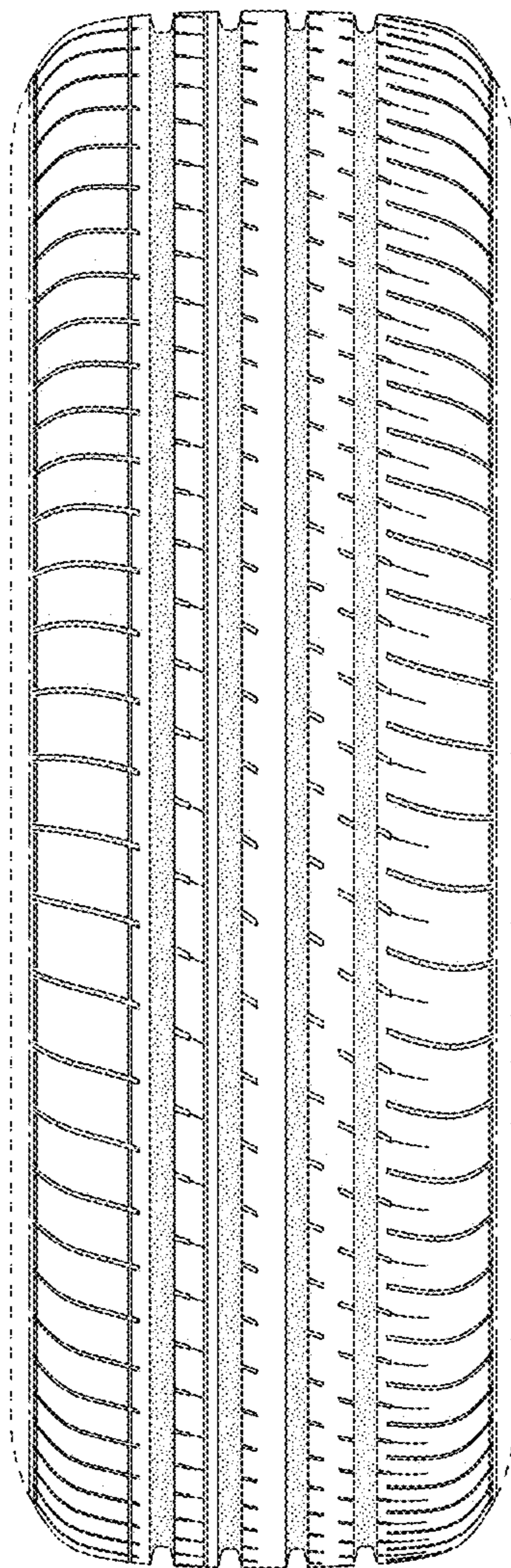


FIG. 4

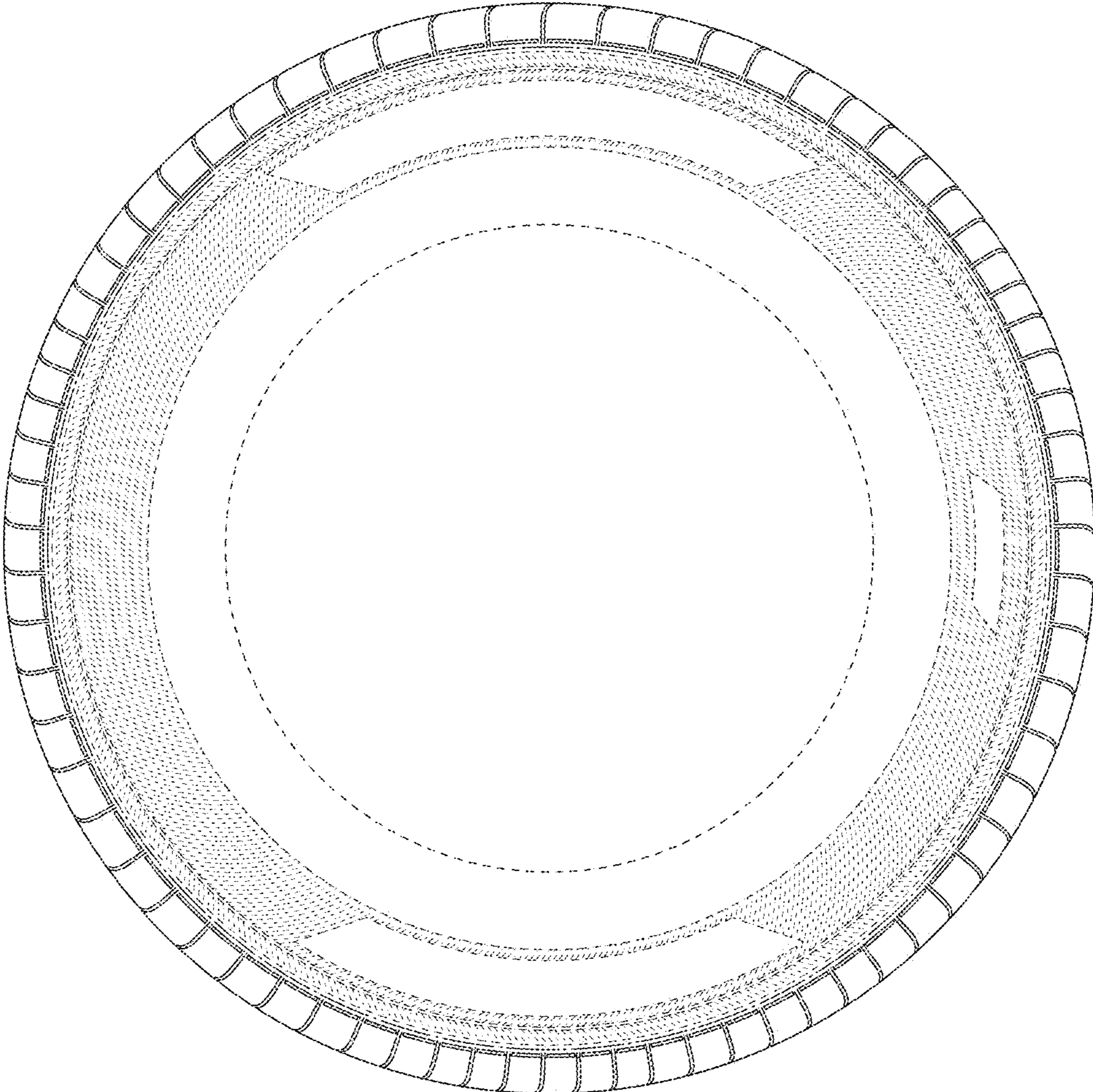


FIG. 5

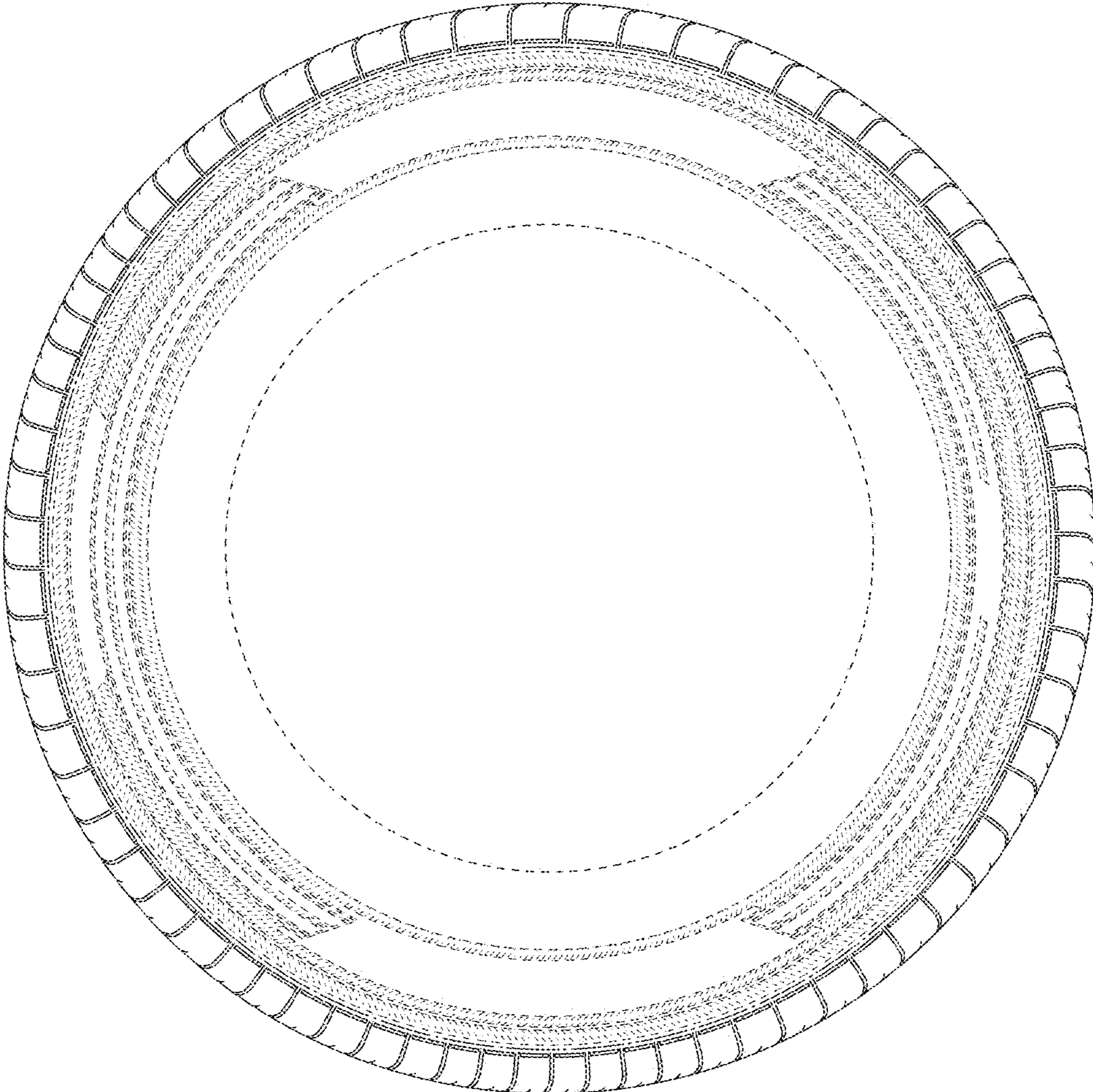


FIG. 6

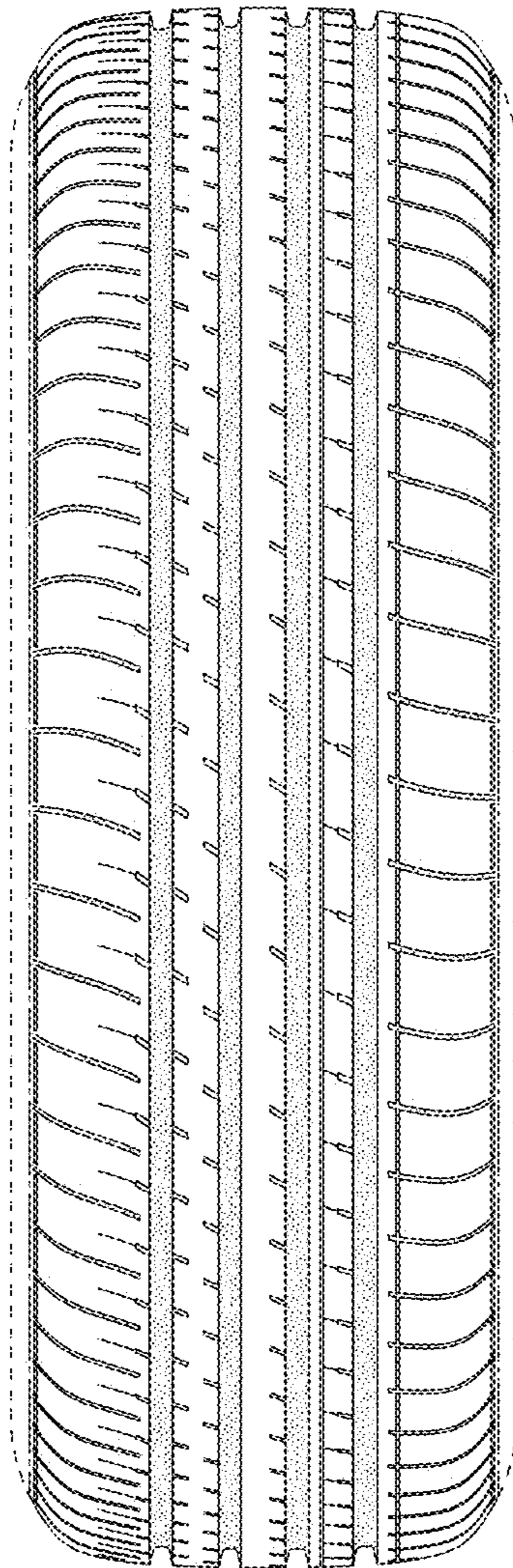


FIG. 7

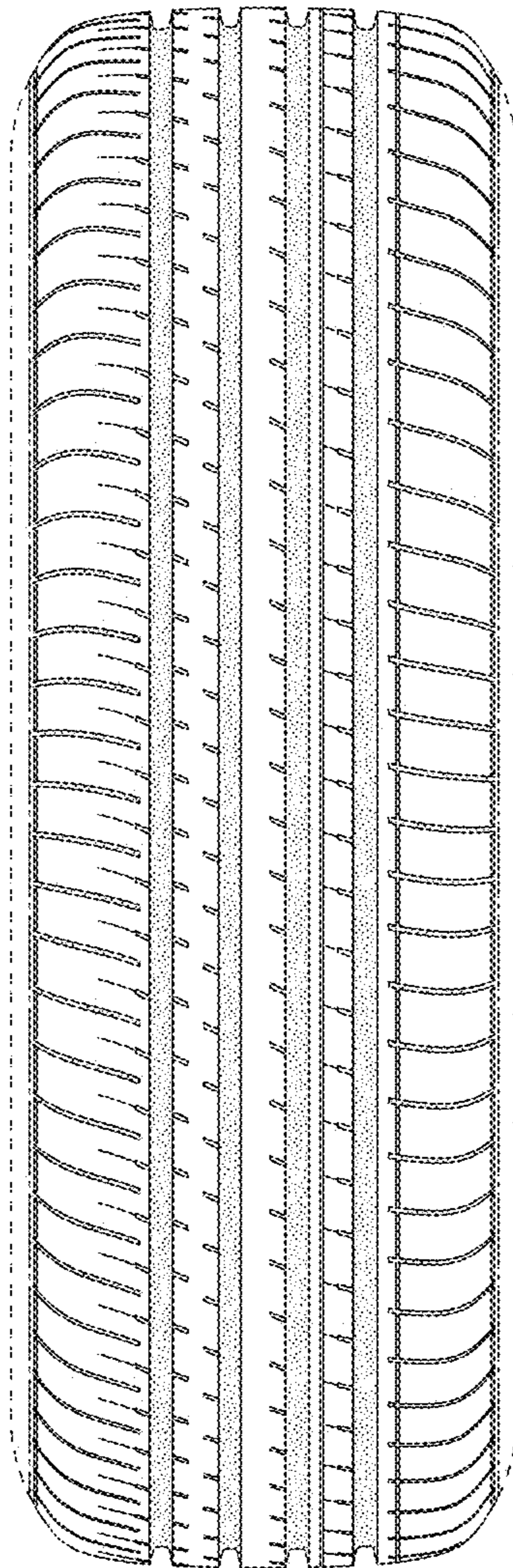


FIG. 8

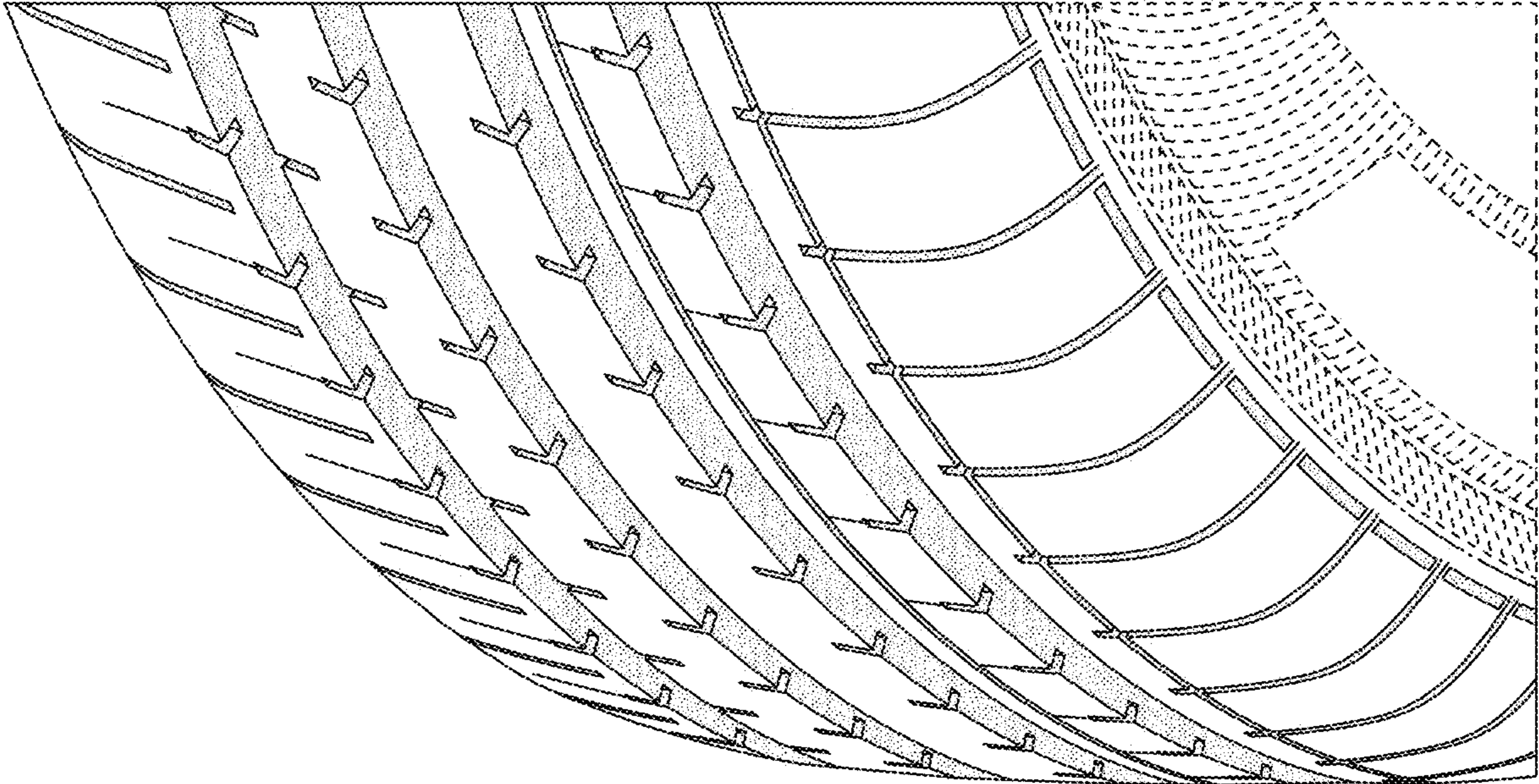


FIG. 9

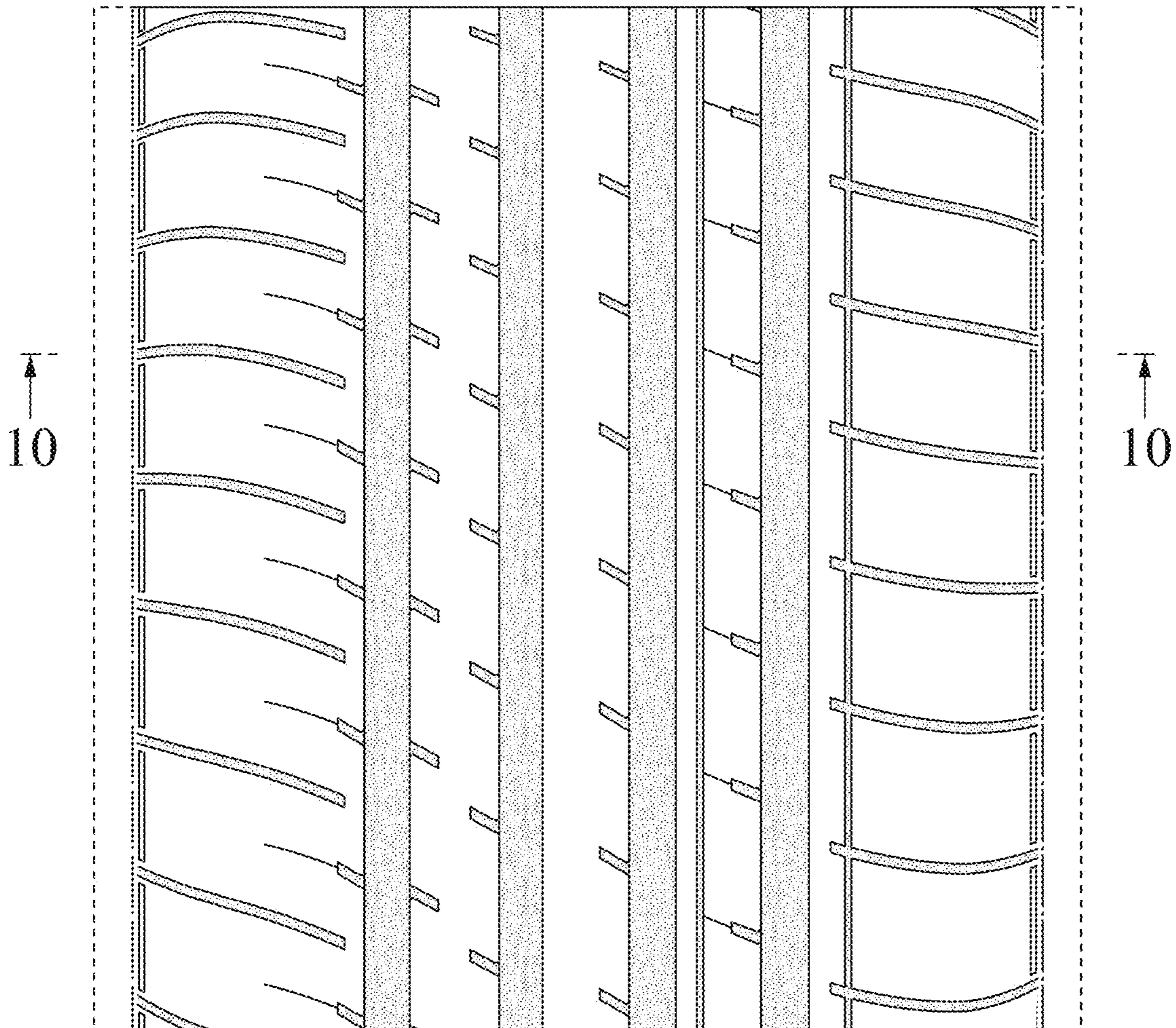


FIG. 10

