



US00D914581S

(12) **United States Design Patent** (10) **Patent No.:** **US D914,581 S**
Cassway et al. (45) **Date of Patent:** **** Mar. 30, 2021**

(54) **SET OF TRAILER GUIDES**

(71) Applicants: **Rustin A Cassway**, Cherry Hill, NJ (US); **Jonathan Olynyk**, Bordentown, NJ (US)

(72) Inventors: **Rustin A Cassway**, Cherry Hill, NJ (US); **Jonathan Olynyk**, Bordentown, NJ (US)

(73) Assignee: **DEMOUNTABLE CONCEPTS, INC.**, Glassboro, NJ (US)

(**) Term: **15 Years**

(21) Appl. No.: **29/613,118**

(22) Filed: **Aug. 8, 2017**

(51) **LOC (13) Cl.** **12-16**

(52) **U.S. Cl.**

USPC **D12/414**

(58) **Field of Classification Search**

USPC D25/38.1, 43, 44, 126, 164; D32/35, 58; D6/317-319, 513-514; D12/413, 414, D12/406, 412, 414.1, 181, 196, 190, 106

CPC E04F 19/026; E04F 19/028; Y10T 428/2902; Y10T 428/24198; A47K 17/022; B60P 7/0815

See application file for complete search history.

(56) **References Cited**

U.S. PATENT DOCUMENTS

4,604,013 A * 8/1986 Elwell B60P 7/0815
296/41
D295,619 S * 5/1988 Reeve D12/414
D333,873 S * 3/1993 McCue D25/38.1
D344,592 S * 2/1994 Zaccai D25/38.1

(Continued)

Primary Examiner — Susan E Krakower

Assistant Examiner — Jerry Shiuan-Hua Hsu

(74) *Attorney, Agent, or Firm* — Stuart M. Goldstein

(57) **CLAIM**

We claim the ornamental design for a set of trailer guides, as shown and described.

DESCRIPTION

FIG. 1 is a top perspective view of the set of trailer guides of the present invention.

FIG. 2 is a top view thereof.

FIG. 3 is a bottom view thereof.

FIG. 4 is a left side elevation view thereof.

FIG. 5 is a right side elevation view thereof.

FIG. 6 is the front elevation view thereof, shown enlarged for ease of illustration.

FIG. 7 is the rear elevation view thereof, shown enlarged for ease of illustration.

FIG. 8 is a left side elevation view thereof, shown in state of use.

FIG. 9 is an enlarged detail view thereof, showing area 9, as indicated in FIG. 1.

FIG. 10 is an enlarged detail view thereof, showing area 10, as indicated in FIG. 2.

FIG. 11 is an enlarged detail view thereof, showing area 11, as indicated in FIG. 3.

FIG. 12 is an enlarged detail view thereof, showing area 12, as indicated in FIG. 4.

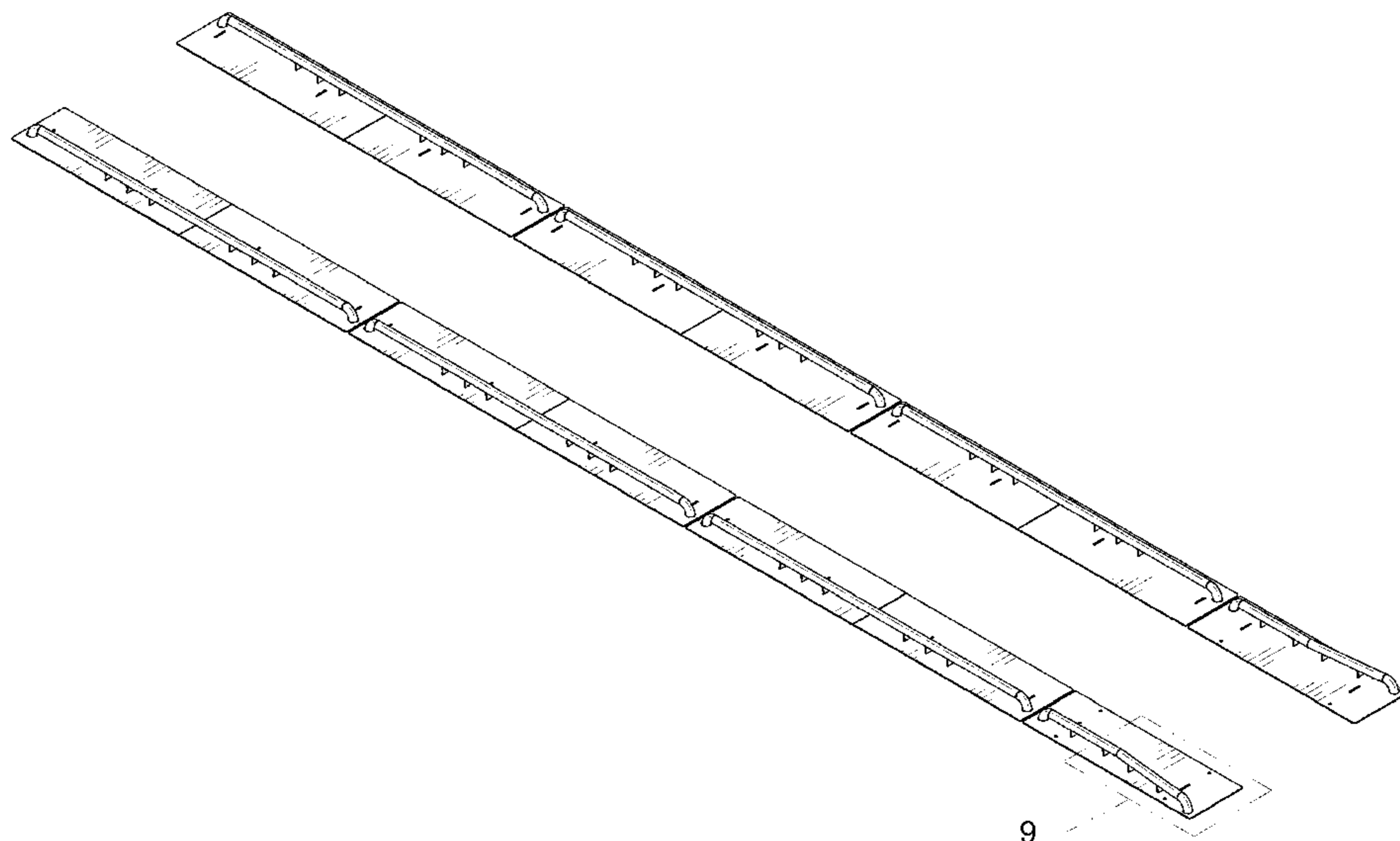
FIG. 13 is an enlarged detail view thereof, showing area 13, as indicated in FIG. 4.

FIG. 14 is an enlarged detail view thereof, showing area 14, as indicated in FIG. 6; and,

FIG. 15 is an enlarged detail view thereof, showing area 15, as indicated in FIG. 15.

The dash-dash broken lines showing a trailer, in FIG. 8, depicts environmental structure that forms no part of the claimed design. The dot-dot-dash broken lines indicate the boundaries of the enlarged detail views, and form no part of the claimed design. The dash-dash broken lines showing surface features in FIGS. 3 and 11 depict portions of the Set of Trailer Guides that form no part of the claimed design.

1 Claim, 9 Drawing Sheets



(56)

References Cited

U.S. PATENT DOCUMENTS

5,396,740 A * 3/1995 Bocchi A47K 17/022
52/33
D382,533 S * 8/1997 Okland D12/414
D454,207 S * 3/2002 Bussler D25/38.1
D491,878 S * 6/2004 Wheatley D12/414
D500,471 S * 1/2005 Wheatley D12/414
D535,599 S * 1/2007 Woods D12/181
D546,756 S * 7/2007 Marquez D12/414
D613,421 S * 4/2010 Wang D25/38.1
D631,819 S * 2/2011 Taylor D12/414
D683,471 S * 5/2013 Mukith D25/38.1
D694,700 S * 12/2013 Sankey D12/414
D806,268 S * 12/2017 Forte D25/43

* cited by examiner

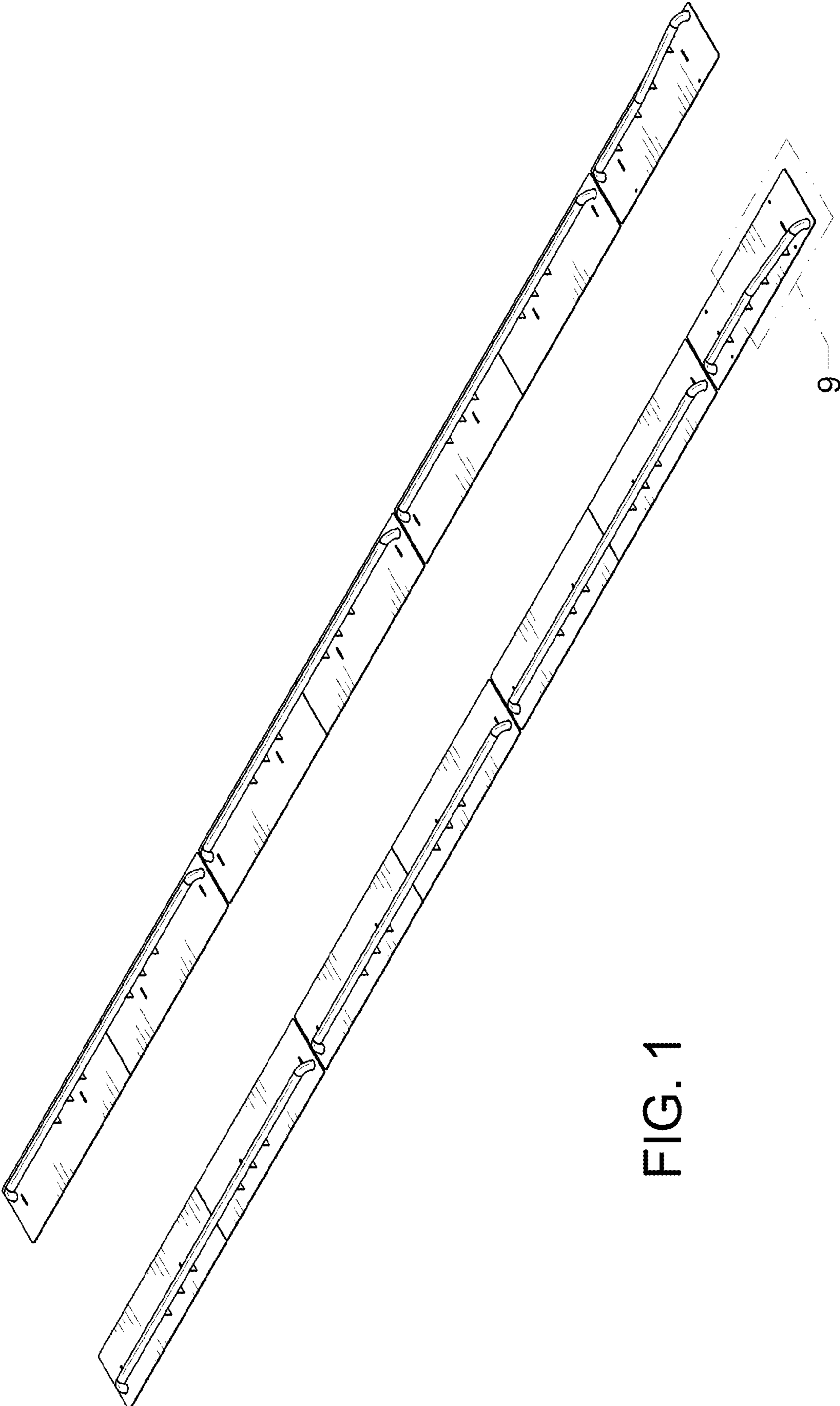


FIG. 1

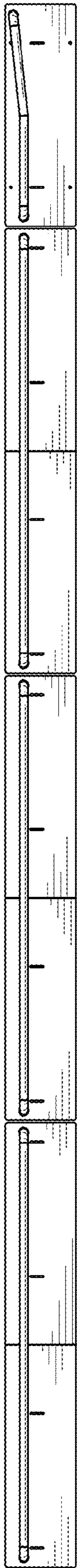


FIG. 2

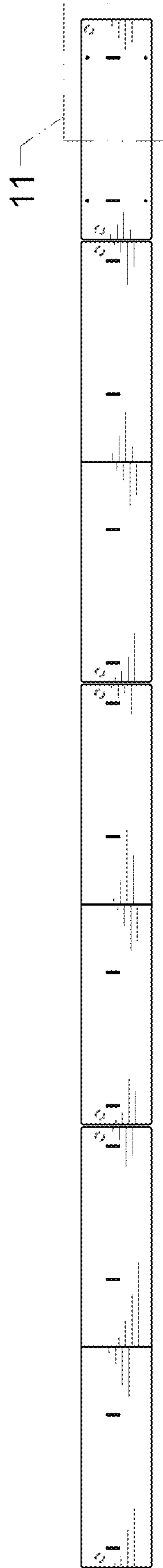


FIG. 3



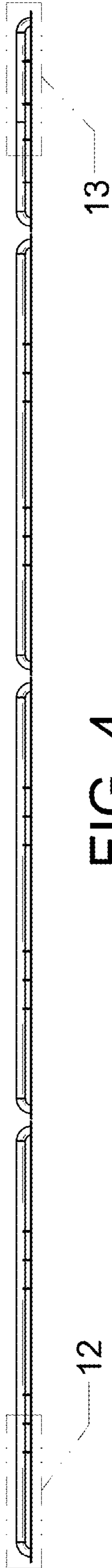


FIG. 4



FIG. 5

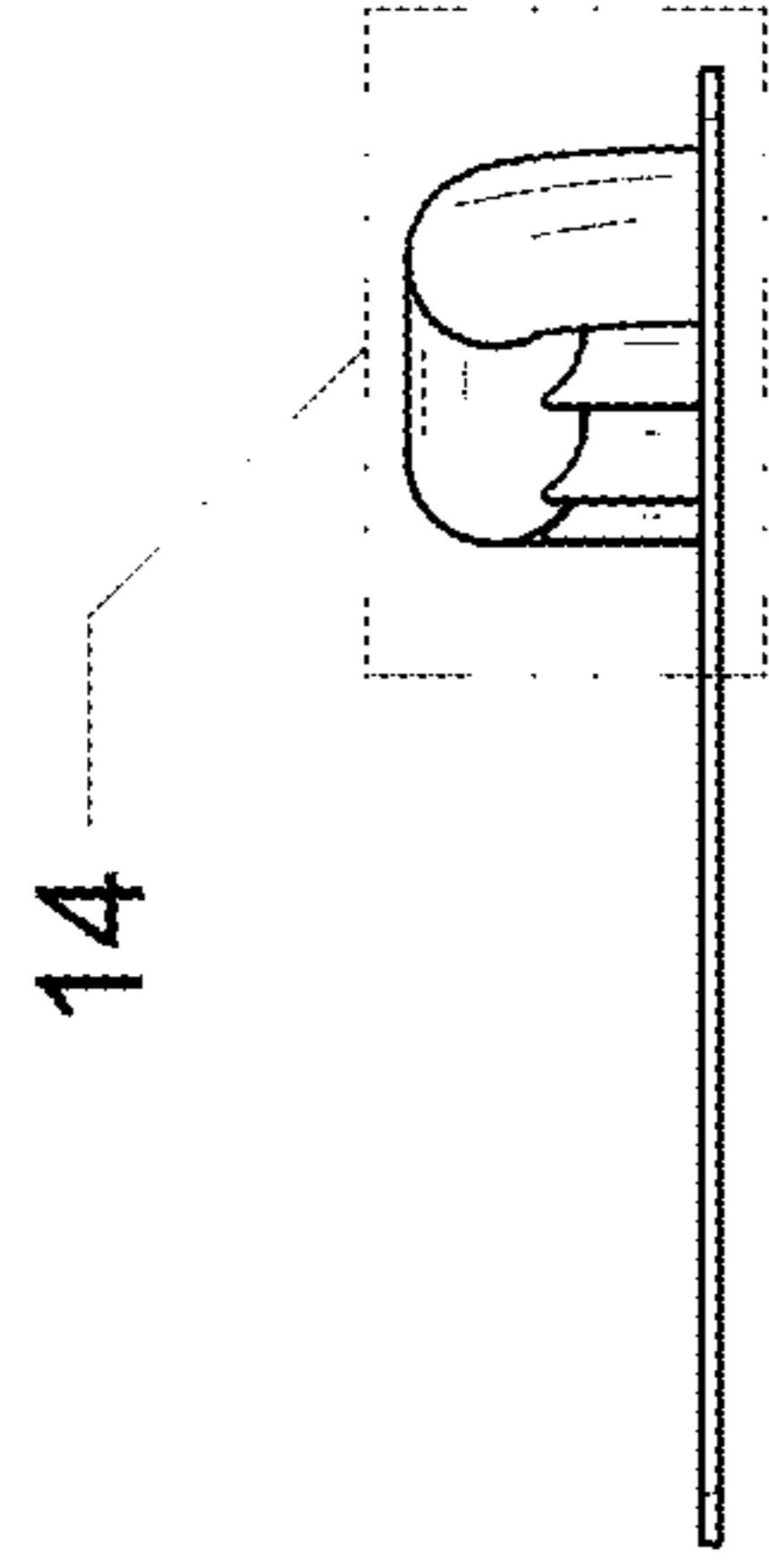


FIG. 6

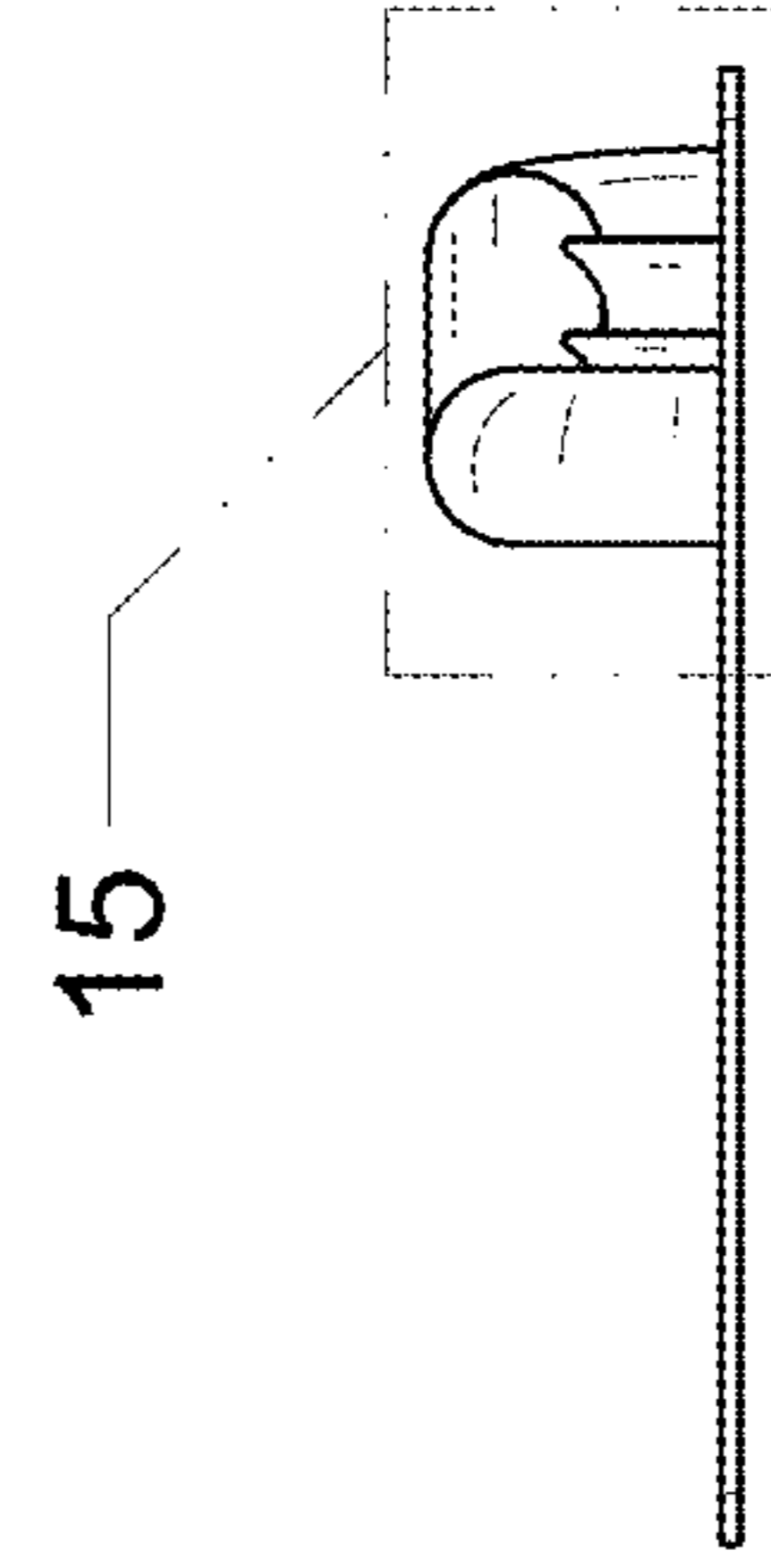


FIG. 7



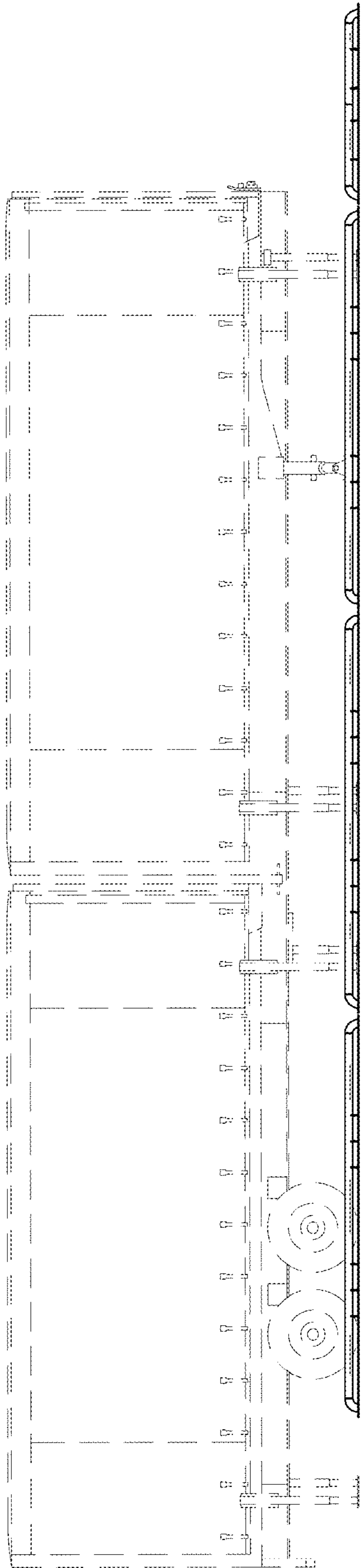


FIG. 8

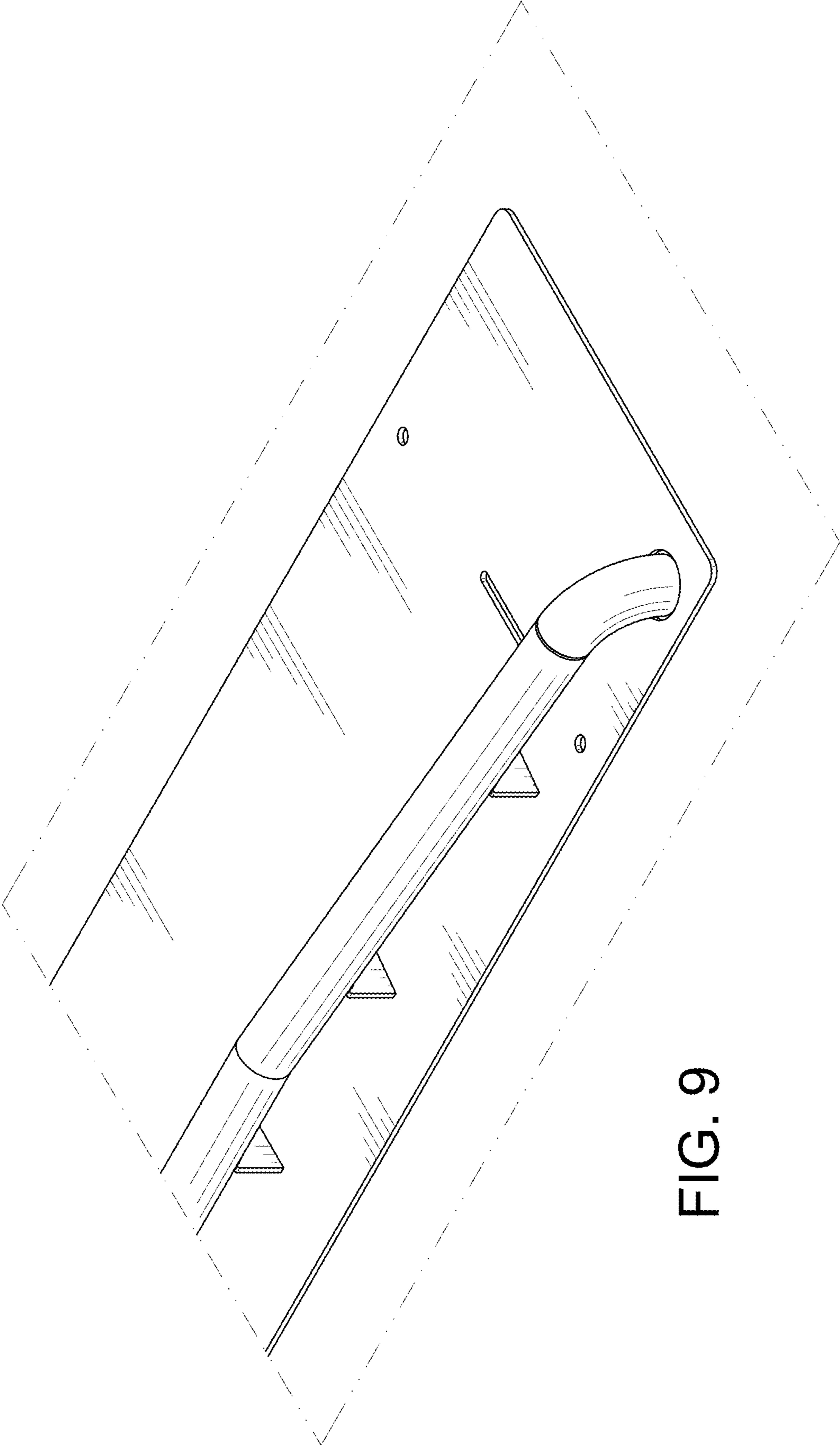


FIG. 9

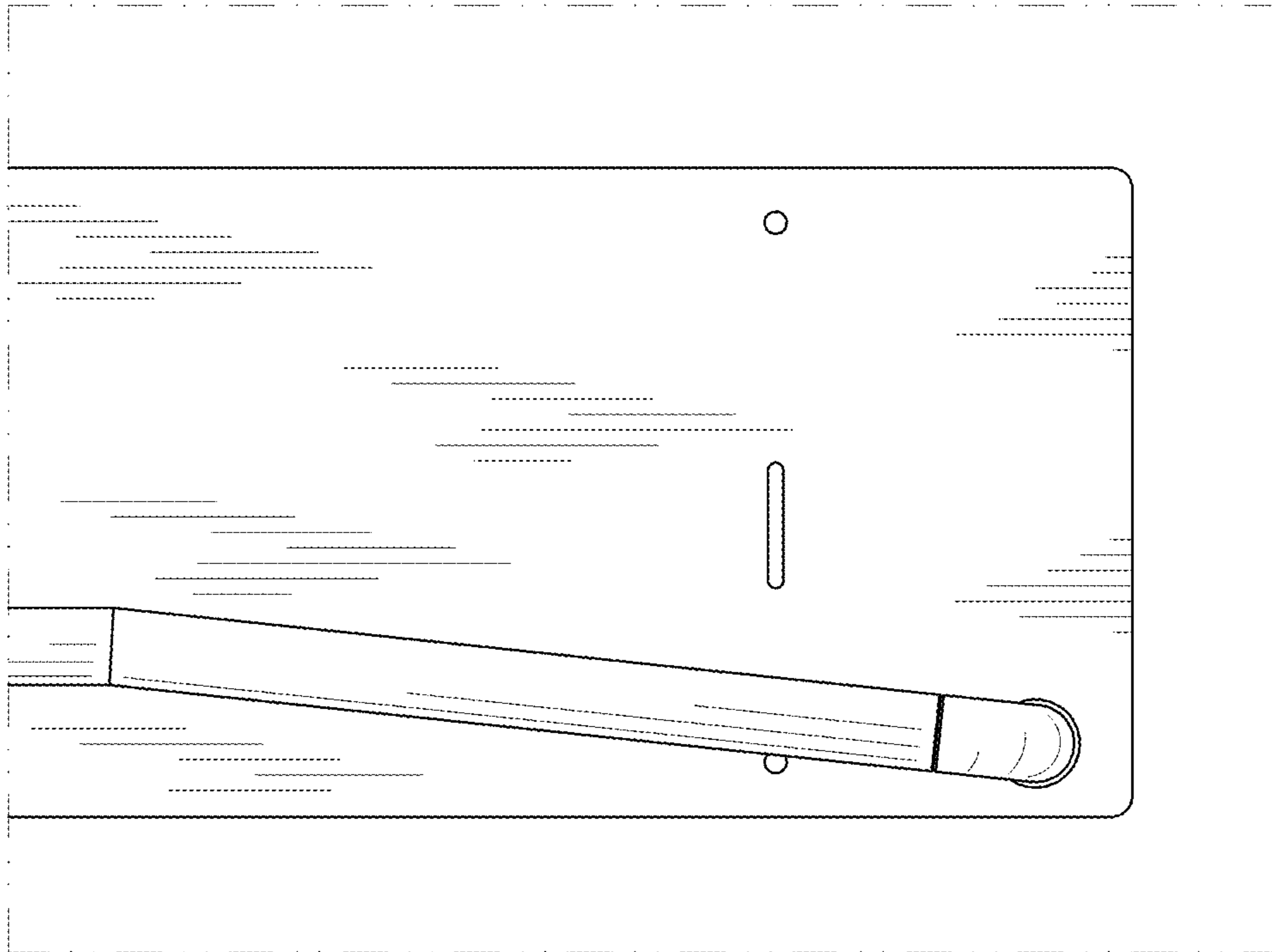


FIG. 10

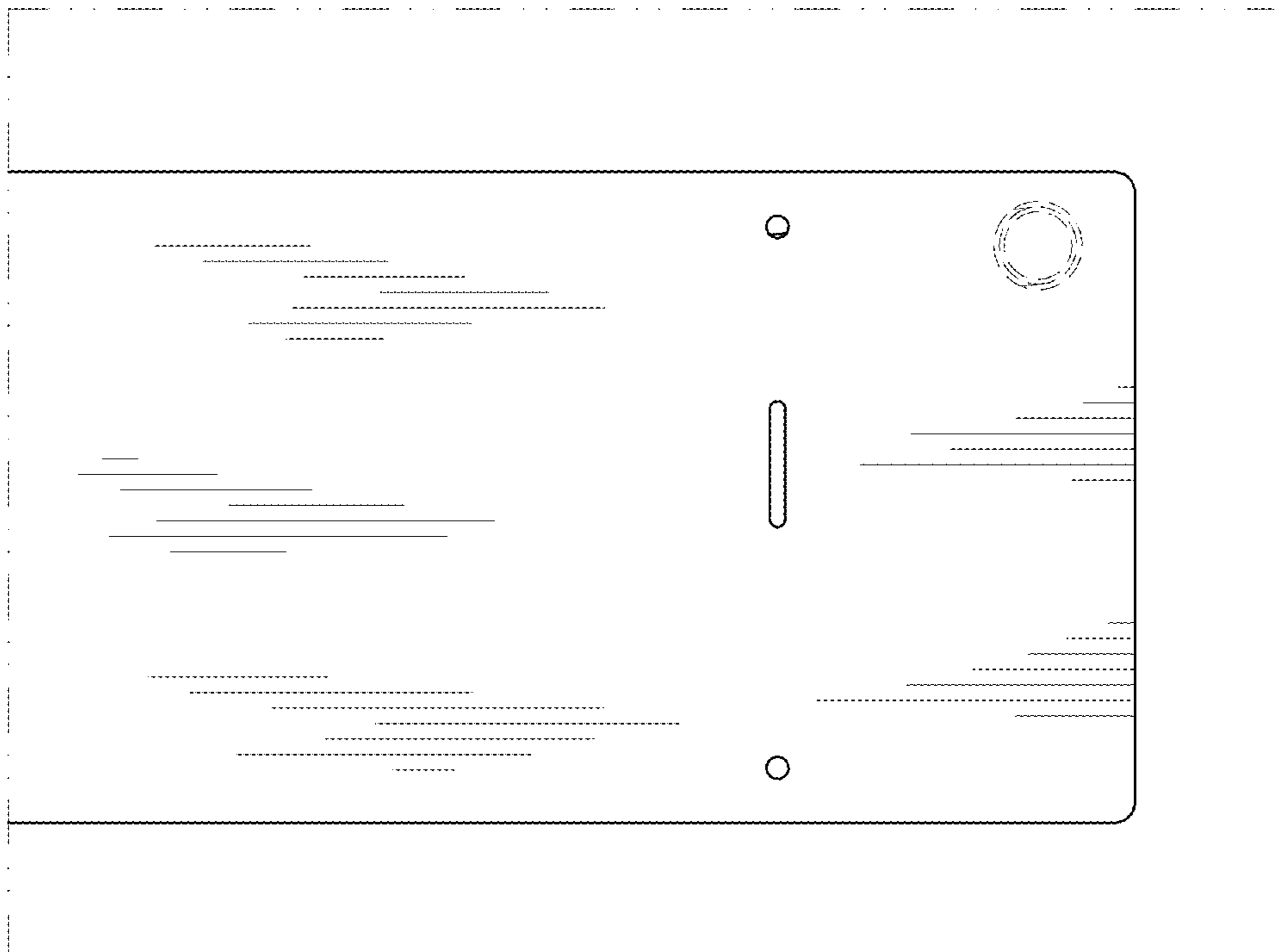


FIG. 11

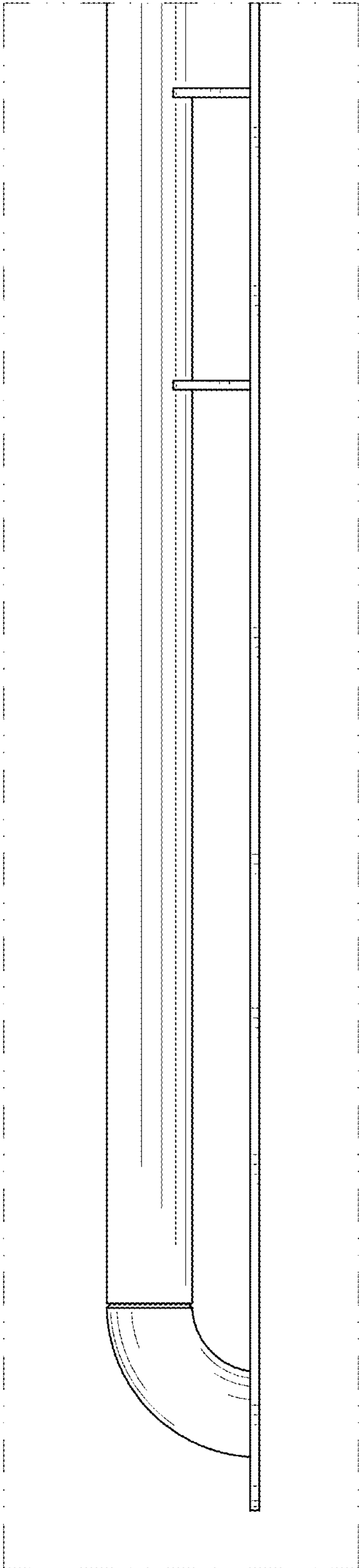


FIG. 12

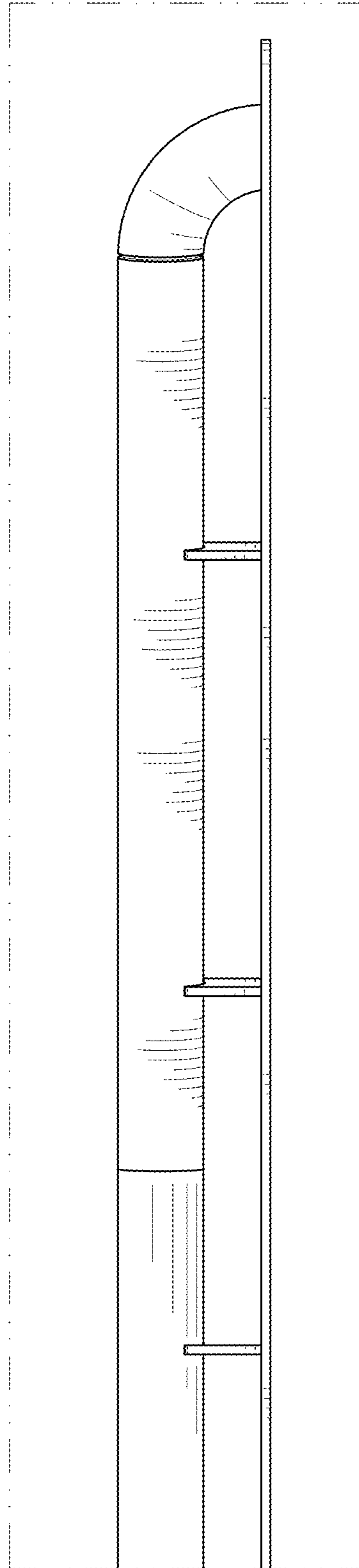


FIG. 13

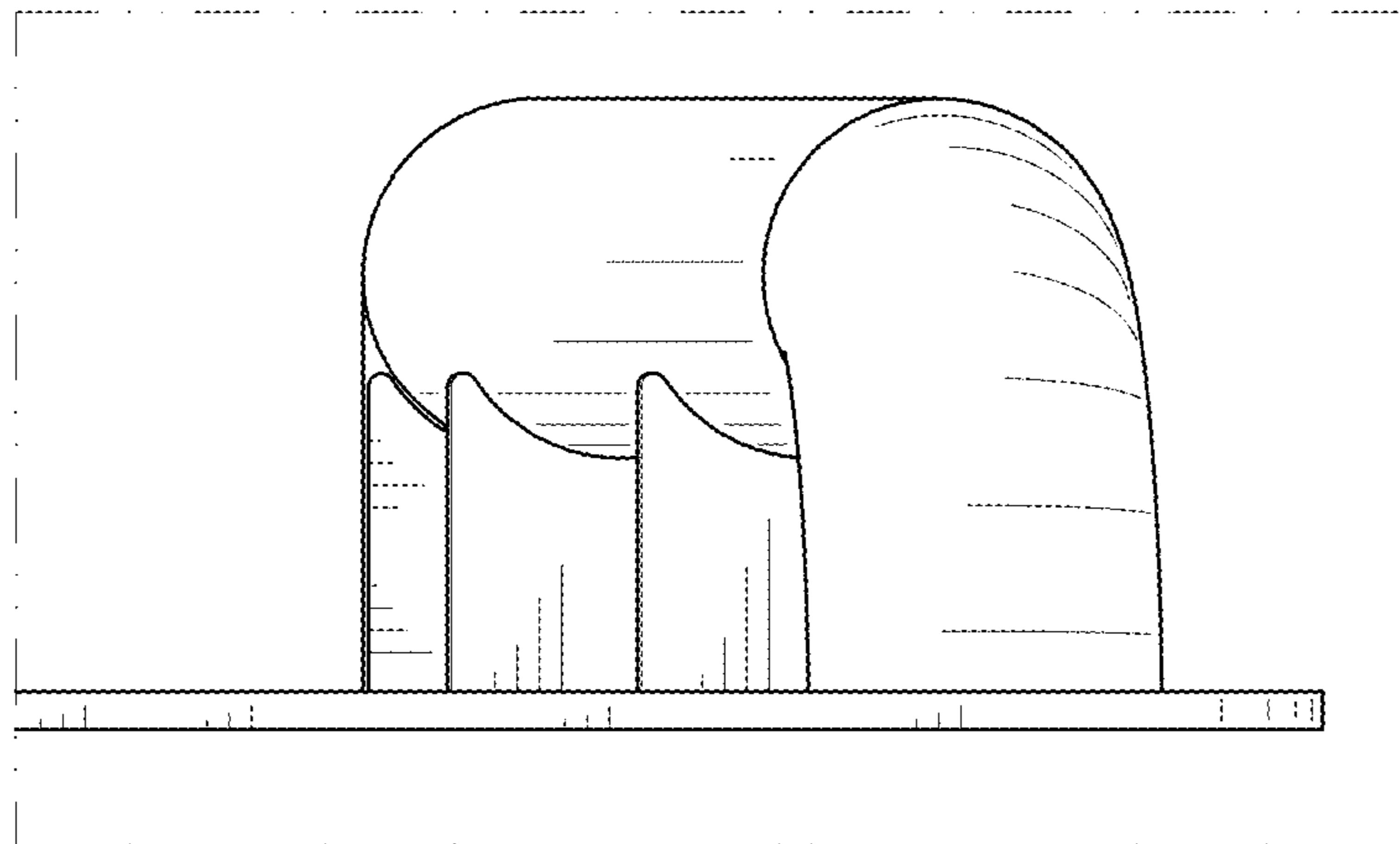


FIG. 14

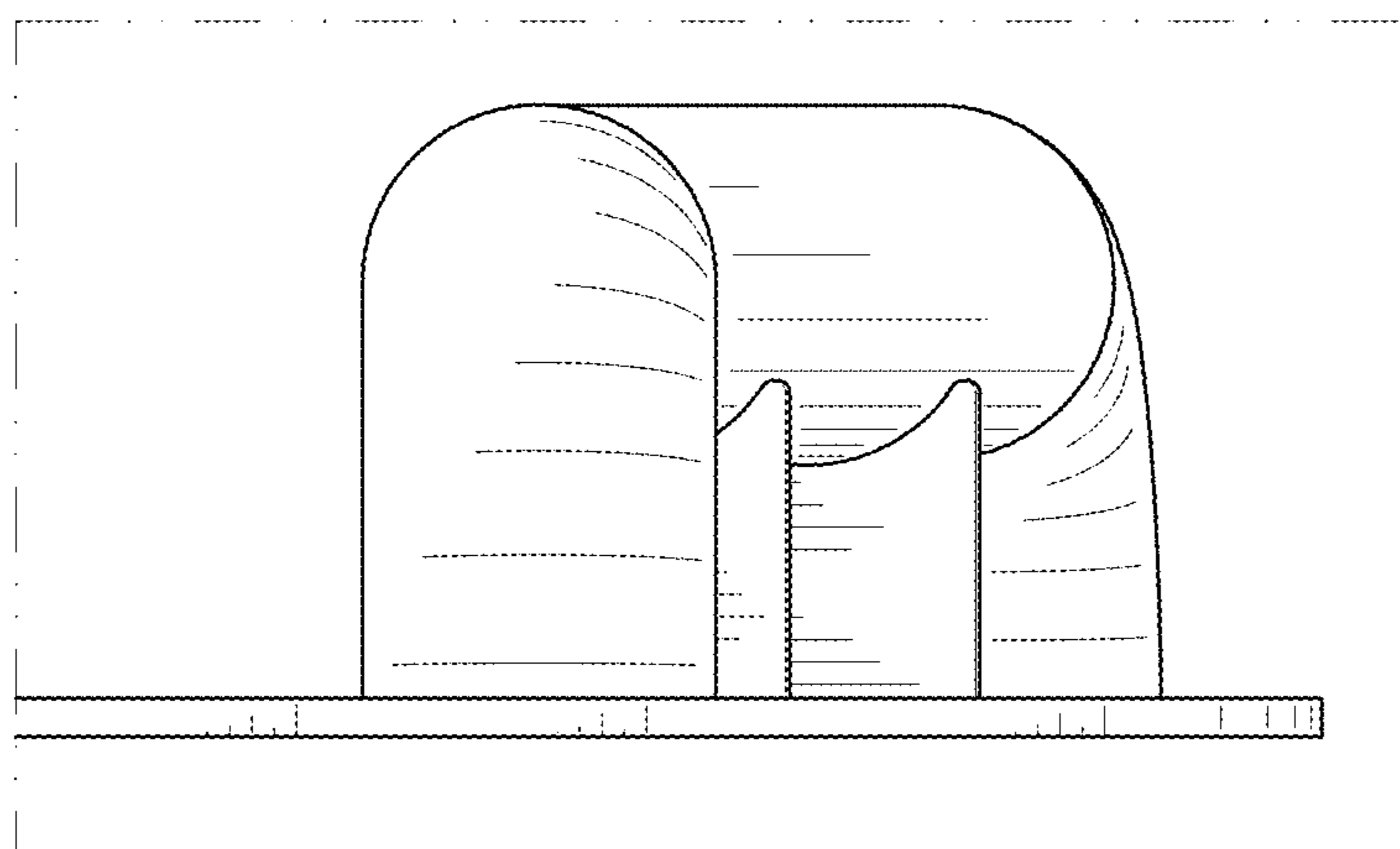


FIG. 15