



US00D914580S

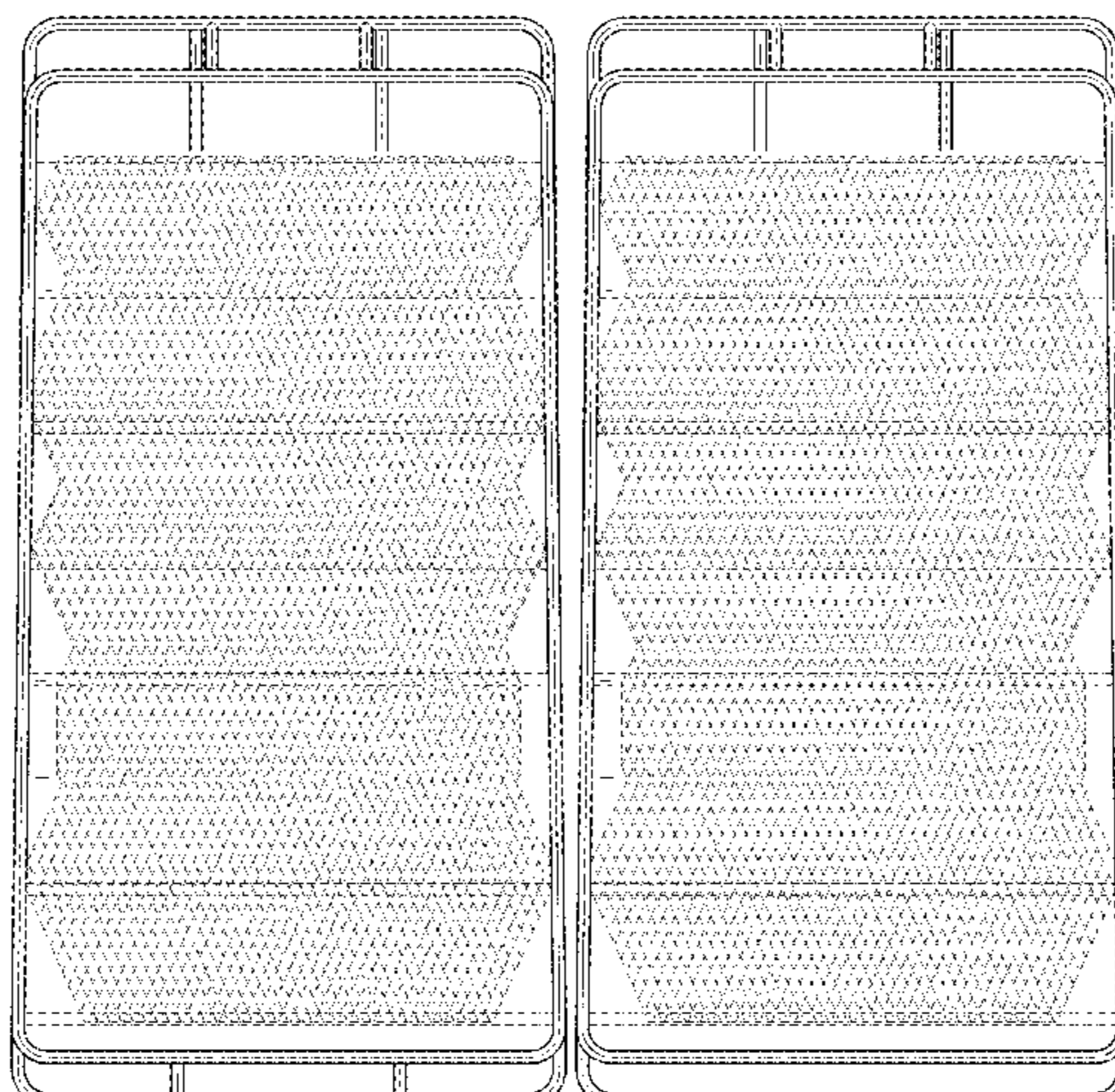
(12) **United States Design Patent** (10) **Patent No.:** **US D914,580 S**  
**Badillo** (45) **Date of Patent:** **\*\* Mar. 30, 2021**

(54) **RACK FOR A VEHICLE**  
(71) Applicant: **INTELLIGENT DESIGNS 2000 CORP.**, Aurora, CO (US)  
(72) Inventor: **Paul Badillo**, Littleton, CO (US)  
(73) Assignee: **INTELLIGENT DESIGNS 2000 CORP.**, Aurora, CO (US)  
(\*\*) Term: **15 Years**  
(21) Appl. No.: **29/684,954**  
(22) Filed: **Mar. 25, 2019**  
(51) **LOC (13) Cl.** ..... **12-16**  
(52) **U.S. Cl.**  
USPC ..... **D12/412**  
(58) **Field of Classification Search**  
USPC ..... D12/412, 406, 413, 414, 414.1; D6/552;  
D3/304-306  
CPC ..... B60R 9/04; B60R 9/048; B60R 9/045  
See application file for complete search history.

4,817,834 A 4/1989 Weiler  
4,948,024 A 8/1990 Warner et al.  
5,171,083 A 12/1992 Rich  
5,381,939 A 1/1995 Tippetts  
D359,134 S 6/1995 Toews  
5,560,525 A 10/1996 Grohmann et al.  
D406,557 S 3/1999 Bentley  
D413,562 S 9/1999 Van Dusen et al.  
6,003,633 A 12/1999 Rolson  
6,015,074 A 1/2000 Snavelly et al.  
D422,553 S 4/2000 VonDuyke  
6,116,378 A 9/2000 Barrow  
D434,364 S 11/2000 Bauer et al.  
6,152,339 A 11/2000 Kreisler  
D434,718 S 12/2000 Kreisler  
D435,510 S 12/2000 Quidort  
6,179,180 B1 1/2001 Walker et al.  
D442,289 S 5/2001 Ziaylek et al.  
6,425,508 B1 7/2002 Cole et al.  
D463,358 S 9/2002 Thomas  
D470,451 S 2/2003 Bushart et al.  
6,561,397 B1 5/2003 Bauer et al.  
6,581,813 B2 6/2003 Bove et al.  
D477,562 S 7/2003 McCoy et al.  
6,604,606 B1 8/2003 McDougal et al.  
D479,884 S 9/2003 Berryman  
D481,003 S 10/2003 Bauer et al.  
D490,163 S 5/2004 Thurston  
6,739,349 B2 5/2004 Kastenschmid et al.  
6,755,332 B2 6/2004 Crane et al.  
D508,015 S 8/2005 Badillo  
D512,783 S 12/2005 Badillo  
D520,938 S 5/2006 Badillo  
7,055,454 B1 6/2006 Whiting et al.  
D537,404 S 2/2007 Bauer et al.  
7,226,266 B2 6/2007 Henderson et al.  
D547,752 S 7/2007 Lee  
7,249,927 B2 7/2007 Wooten et al.  
D549,838 S 8/2007 Badillo  
D558,123 S 12/2007 Murillo  
D578,952 S 10/2008 Badillo  
D603,321 S 11/2009 Kramer  
D621,328 S 8/2010 Sistare et al.  
D624,005 S 9/2010 Winner et al.  
D638,333 S 5/2011 Freeman  
8,496,146 B2 7/2013 Badillo  
D765,577 S 9/2016 Kmita et al.  
D772,783 S 11/2016 Schleef  
9,676,343 B2 6/2017 Badillo  
D793,946 S 8/2017 Badillo  
D793,947 S 8/2017 Badillo  
D807,276 S 1/2018 Aden  
D809,997 S 2/2018 Conner

(56) **References Cited**  
U.S. PATENT DOCUMENTS

704,436 A 7/1902 Cluff  
744,113 A 11/1903 Rye  
1,564,776 A 12/1925 Green  
1,606,954 A 11/1926 Moen et al.  
2,387,779 A 10/1945 Strauss  
2,492,841 A 12/1949 Burkey  
2,521,815 A 9/1950 Will  
2,663,472 A 12/1953 Belgau  
2,784,888 A 3/1957 Lecanu-Deschamps  
2,800,264 A 7/1957 McFadyen  
2,967,635 A 1/1961 Barnett  
3,158,301 A 11/1964 Hedgepeth  
3,215,323 A 11/1965 Bonitt  
3,260,929 A 7/1966 Hedgepeth  
3,330,454 A 7/1967 Bott  
3,531,006 A 9/1970 Farchmin  
3,765,713 A 10/1973 Suitt  
3,902,642 A 9/1975 McNeece  
4,336,897 A 6/1982 Luck  
4,350,471 A 9/1982 Lehman



D811,311	S	2/2018	Badillo	
D811,986	S	3/2018	Torres	
D813,785	S	3/2018	Badillo	
D815,012	S	4/2018	Badillo	
D841,565	S	2/2019	Badillo	
D841,566	S	2/2019	Badillo	
D856,262	S *	8/2019	Marankie	D12/412
D856,900	S *	8/2019	Baumann	D12/406
D866,449	S *	11/2019	Walker	D12/412
D877,041	S *	3/2020	Moctezuma	D12/412
D879,013	S *	3/2020	Connellan	D12/412
D881,110	S *	4/2020	Herndon	D12/412
10,611,311	B1	4/2020	Chervu	
D883,182	S *	5/2020	Fonnesbeck	D12/412
D886,017	S *	6/2020	Heinemann	D12/190
2005/0082326	A1	4/2005	Badillo	
2005/0092796	A1 *	5/2005	Essig	B60R 9/00 224/321
2005/0095102	A1	5/2005	Watson	
2011/0101056	A1	5/2011	Barkey	
2016/0362053	A1	12/2016	Sautter et al.	
2018/0022285	A1	1/2018	Karuppaswamy	
2018/0056884	A1	3/2018	Ziraldo	
2018/0086276	A1	3/2018	Isoda	
2018/0201200	A1	7/2018	Wang et al.	
2018/0229665	A1	8/2018	Schactman et al.	
2018/0236946	A1	8/2018	Shen	
2020/0055457	A1	2/2020	Mansour et al.	
2020/0062188	A1	2/2020	Boyle et al.	
2020/0114809	A1	4/2020	Chen et al.	
2020/0114829	A1	4/2020	Chen et al.	
2020/0130483	A1	4/2020	Vickery	
2020/0132194	A1	4/2020	Wang	

OTHER PUBLICATIONS

U.S. Appl. No. 29/547,752, filed Dec. 7, 2016, now U.S. Pat. No. D. 793,947.  
 U.S. Appl. No. 29/534,977, filed Aug. 3, 2015, now U.S. Pat. No. D. 811,311.  
 U.S. Appl. No. 29/542,039, filed Oct. 9, 2015, now U.S. Pat. No. D. 813,785.  
 U.S. Appl. No. 29/543,871, filed Oct. 29, 2015, now U.S. Pat. No. D. 815,012.  
 U.S. Appl. No. 29/637,757, filed Feb. 21, 2018, now U.S. Pat. No. D. 841,566.  
 U.S. Appl. No. 29/610,895, filed Jul. 17, 2017.  
 U.S. Appl. No. 29/631,524, filed Dec. 29, 2017.  
 U.S. Appl. No. 29/681,126, filed Feb. 22, 2019.  
 U.S. Appl. No. 29/681,145, filed Feb. 22, 2019.  
 U.S. Appl. No. 29/705,114, filed Sep. 10, 2019, Badillo.  
 U.S. Appl. No. 29/535,865, filed Aug. 11, 2015, Badillo.  
 U.S. Appl. No. 29/610,895, filed Jul. 17, 2017, Badillo.  
 U.S. Appl. No. 29/631,524, filed Dec. 29, 2017, Badillo.  
 U.S. Appl. No. 29/681,126, filed Feb. 22, 2019, Badillo.  
 U.S. Appl. No. 29/681,145, filed Feb. 22, 2019, Badillo.  
 Advertisement: Yakima Spare Tire Carrier, Cargo Basket for Roof Racks, available at [http://www.rackoutfitters.com/catalog/yakima\\_spare\\_tire\\_carrier\\_1836640.htm](http://www.rackoutfitters.com/catalog/yakima_spare_tire_carrier_1836640.htm), dated Jul. 7, 2003, 1 page.  
 Advertisement: Thule 840-Playpen Basket, Cargo Basket for Roof Racks, available at [http://www.rackoutfitters.com/catalog/thule\\_840\\_-\\_playpen\\_basket\\_1885452.htm](http://www.rackoutfitters.com/catalog/thule_840_-_playpen_basket_1885452.htm), dated Jul. 7, 2003, 1 page.  
 Advertisement: SURCO, Products, Inc., "Basket rack-it just flat out carries what you need to take," available at [http://www.everythingsuv.com/surco\\_safari\\_roof\\_racks-esuv.asp](http://www.everythingsuv.com/surco_safari_roof_racks-esuv.asp), dated Jul. 7, 2003, 10 pages.  
 Advertisement: KargoMaster, Kargo Master Safari Racks, available at [http://www.kargomaster.com/jeep23.asp?rack=sport\\_jeep](http://www.kargomaster.com/jeep23.asp?rack=sport_jeep), Jul. 7, 2007, 1 page.  
 Advertisement: KargoMaster, The Bushman Steel Rack, available at <http://www.kargomaster.com/bushman.asp?type=Jeep>, dated Jul. 7, 2003, 1 page.  
 Advertisement: KargoMaster, Seregenti Telescoping Steel Rack, available at <http://www.kargomaster.com/seregenti.asp?type=Jeep>, dated Jul. 7, 2003, 1 page.

Advertisement: Bauer Vehicle Gear Roof Racks, Roof Storage, Bike Storage & Pet Barriers from Eve, available at [http://www.everythingsuv.com/bvg\\_products-esuv.asp](http://www.everythingsuv.com/bvg_products-esuv.asp), Jul. 7, 2003, 2 pages.  
 Advertisement: Manik Original Off-Road Equipment, Hummer Rough Terrain Package New Product Release "Tilt-Forward 1-Piece Front Bar," 2002, 1 page.  
 Advertisement: Manik Original Off-Road Equipment, Hummer Rough Terrain Package New Product Release "Combination Tube Step Rocker Bar," 2002, 1 page.  
 Advertisement: Congo Cage Jeep Rack, available at <http://www.kargomaster.com/item.asp?id=62>, printed Apr. 17, 2009, 13 pages.  
 Product Literature entitled, "921—Dave's Rack 921-12X," Olympic 4X4, date unknown, 10 pages.  
 Advertisement: 921—Daves Rack, Olympic 4X4 Products for over 60 years, available at <http://olympic4X4products.com/utility-racks/921-daves-rack>, printed Jan. 14, 2011, 3 pages.  
 "Installation Guide: BR-JPTJ2D-1-0 BajaRack Jeep TJ 2 Doors," BajaRack Adventure Equipment, 4 page, first sold 2013.  
 "BR-JPK-Series Installation Instructions," BajaRack Adventure Equipment, 5 pages, first sold 2013.  
 "Full Length 4th Gen Rack," Whitson Metalworks, 2015, retrieved from <http://web.archive.org/web/20150704141048/http://whitsonmetalworks.com/product/full-length-4th-gen-rack/>, retrieved on Dec. 10, 2015, 5 pages.  
 "ID2 Racks," Intelligent Designs 2000 Corp., [www.GOBIRacks.com](http://www.GOBIRacks.com); it is believed that all have been sold for over one year, 27 pages.  
 "Installation Guide: BR-JP-JK4D-1-0 BajaRack Jeep JK 4 Doors," BajaRack Adventure Equipment, 6 pages, first sold 2013.  
 Official Action for U.S. Appl. No. 29/534,977, dated Apr. 11, 2017 6 pages Restriction Requirement.  
 Notice of Allowance for U.S. Appl. No. 29/534,977, dated Oct. 17, 2017 7 pages.  
 Notice of Allowance for U.S. Appl. No. 29/547,752, dated Mar. 27, 2017 7 pages.  
 Official Action for U.S. Appl. No. 29/542,039, dated Sep. 14, 2017 5 pages Restriction Requirement.  
 Notice of Allowance for U.S. Appl. No. 29/542,039, dated Nov. 21, 2017 7 pages.  
 Notice of Allowance for U.S. Appl. No. 29/637,756, dated Oct. 4, 2018 7 pages.  
 Official Action for U.S. Appl. No. 29/543,871, dated Sep. 13, 2017 5 pages Restriction Requirement.  
 Notice of Allowance for U.S. Appl. No. 29/543,871, dated Nov. 21, 2017 7 pages.  
 Notice of Allowance for U.S. Appl. No. 29/637,757, dated Oct. 2, 2018 7 pages.  
 Notice of Allowance for U.S. Appl. No. 29/610,895, dated Apr. 4, 2019 6 pages.  
 Official Action for U.S. Appl. No. 29/631,524, dated Jun. 4, 2020 6 pages Restriction Requirement.  
 Notice of Allowance for U.S. Appl. No. 29/681,126, dated Jul. 15, 2020, 8 pages.  
 Official Action for U.S. Appl. No. 29/681,145, dated Jul. 8, 2020, 5 pages.  
 Notice of Allowance for U.S. Appl. No. 29/705,114, dated Jul. 14, 2020, 8 pages.  
 Official Action for U.S. Appl. No. 29/717,202, dated Jul. 16, 2020, 6 pages. Restriction Requirement.

\* cited by examiner

Primary Examiner — Katrina A Betton  
 (74) Attorney, Agent, or Firm — Sheridan Ross P.C.

(57) CLAIM

The ornamental design for a rack for a vehicle, as shown and described.

DESCRIPTION

FIG. 1 is a perspective view of a rack for a vehicle;  
 FIG. 2 is a top plan view thereof;

FIG. 3 is a bottom plan view thereof;  
FIG. 4 is a front elevation view thereof;  
FIG. 5 is a rear elevation view thereof;  
FIG. 6 is a right elevation view thereof;  
FIG. 7 is a left elevation view thereof;  
FIG. 8 is a perspective view thereof interconnected to a vehicle;  
FIG. 9 is a perspective view of another embodiment of a rack for a vehicle;  
FIG. 10 is a top plan view of the embodiment of FIG. 9;  
FIG. 11 is a bottom plan view of the embodiment of FIG. 9;  
FIG. 12 is a front elevation view of the embodiment of FIG. 9;  
FIG. 13 is a rear elevation view of the embodiment of FIG. 9;  
FIG. 14 is a right elevation view of the embodiment of FIG. 9;  
FIG. 15 is a left elevation view of the embodiment of FIG. 9;  
FIG. 16 is a perspective view of the embodiment of FIG. 9 interconnected to a vehicle;  
FIG. 17 is a perspective view of still another embodiment of a rack for a vehicle;  
FIG. 18 is a top plan view of the embodiment of FIG. 17;  
FIG. 19 is a bottom plan view of the embodiment of FIG. 17;  
FIG. 20 is a front elevation view of the embodiment of FIG. 17;

FIG. 21 is a rear elevation view of the embodiment of FIG. 17;  
FIG. 22 is a right elevation view of the embodiment of FIG. 17;  
FIG. 23 is a left elevation view of the embodiment of FIG. 17;  
FIG. 24 is a perspective view of the embodiment of FIG. 17 interconnected to a vehicle;  
FIG. 25 is a perspective view of another embodiment of a rack for a vehicle;  
FIG. 26 is a top plan view of the embodiment of FIG. 25;  
FIG. 27 is a bottom plan view of the embodiment of FIG. 25;  
FIG. 28 is a front elevation view of the embodiment of FIG. 25;  
FIG. 29 is a rear elevation view of the embodiment of FIG. 25;  
FIG. 30 is a right elevation view of the embodiment of FIG. 25;  
FIG. 31 is a left elevation view of the embodiment of FIG. 25; and,  
FIG. 32 is a perspective view of the embodiment of FIG. 25 interconnected to a vehicle.  
The broken lines are included for the purpose of illustrating environment and form no part of the claimed design.

**1 Claim, 28 Drawing Sheets**

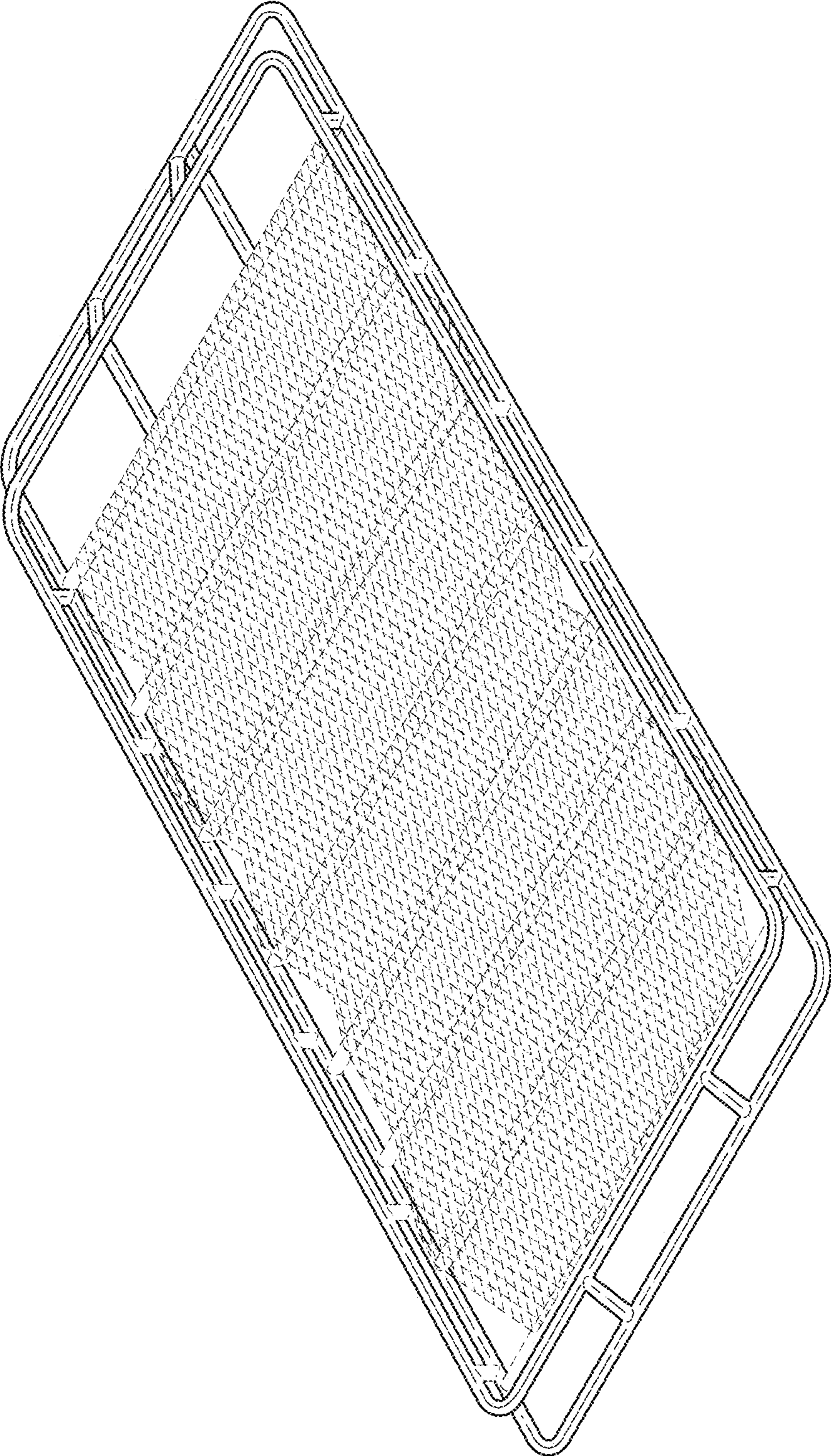


FIG.1

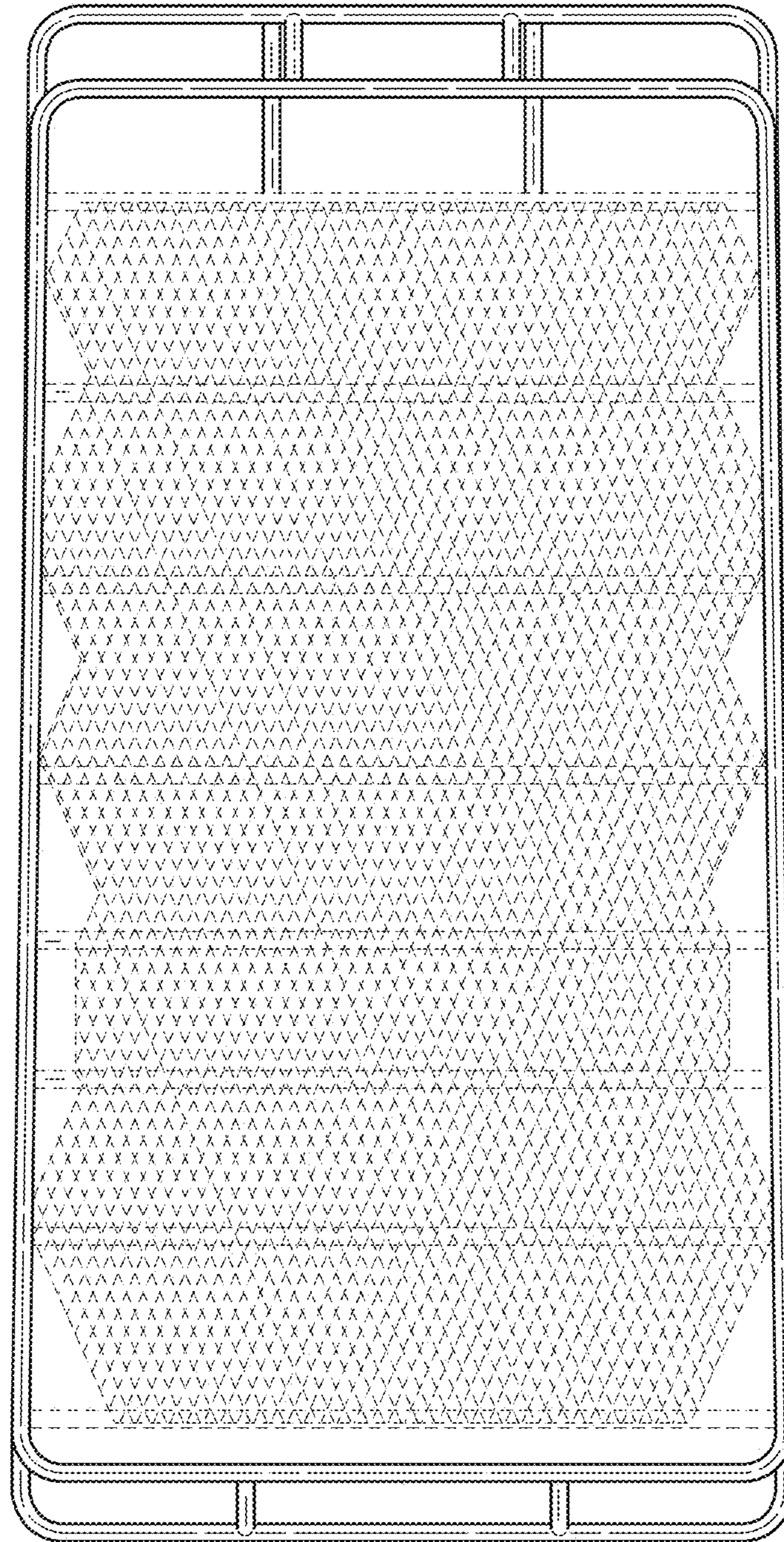


FIG. 2

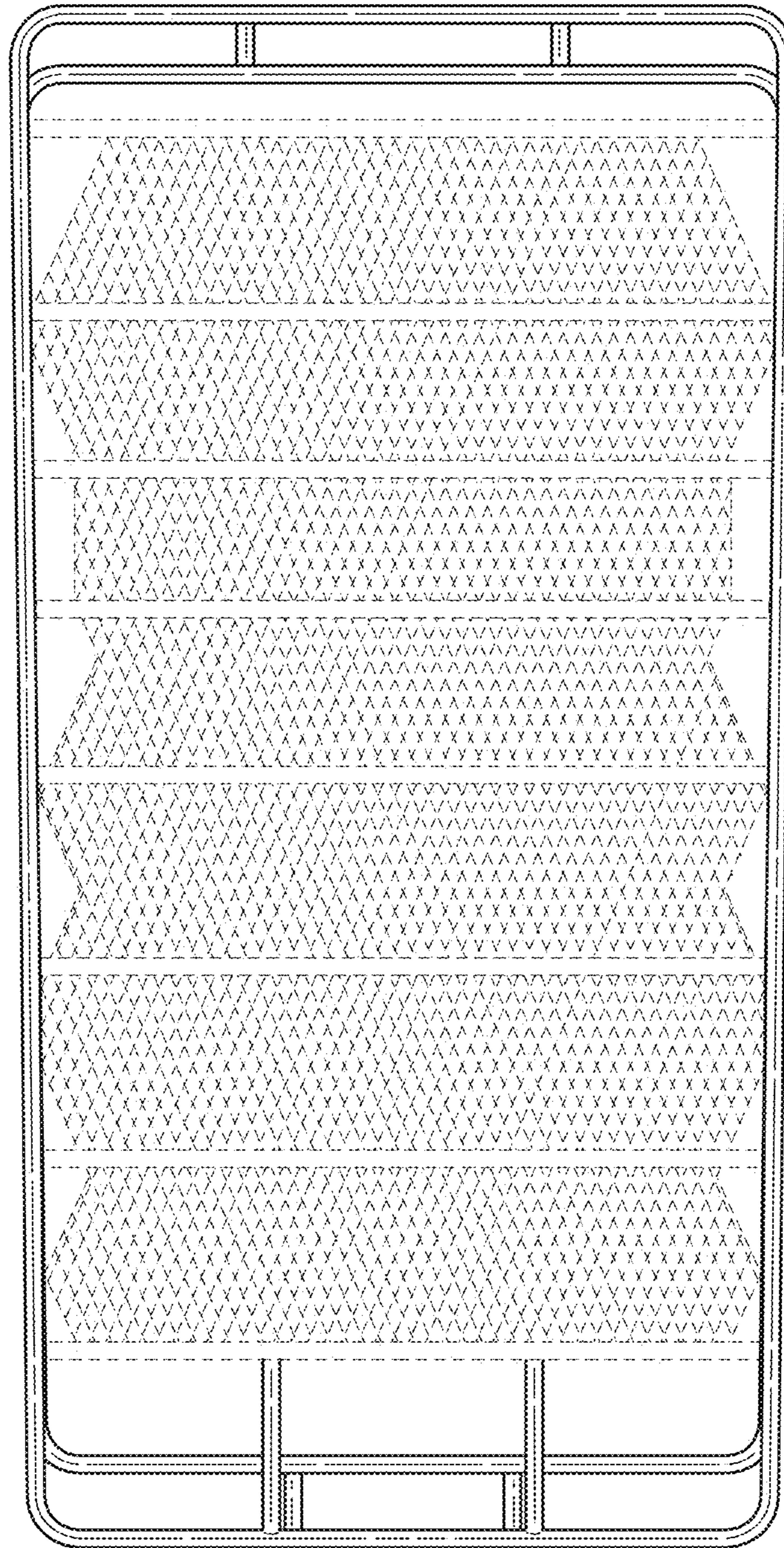


FIG.3



FIG. 4



FIG. 5

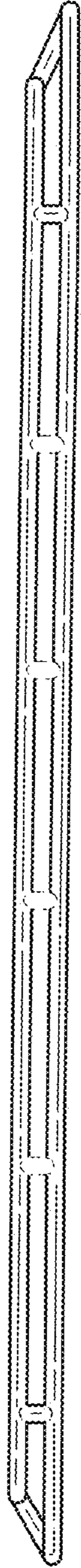


FIG.6





FIG.7

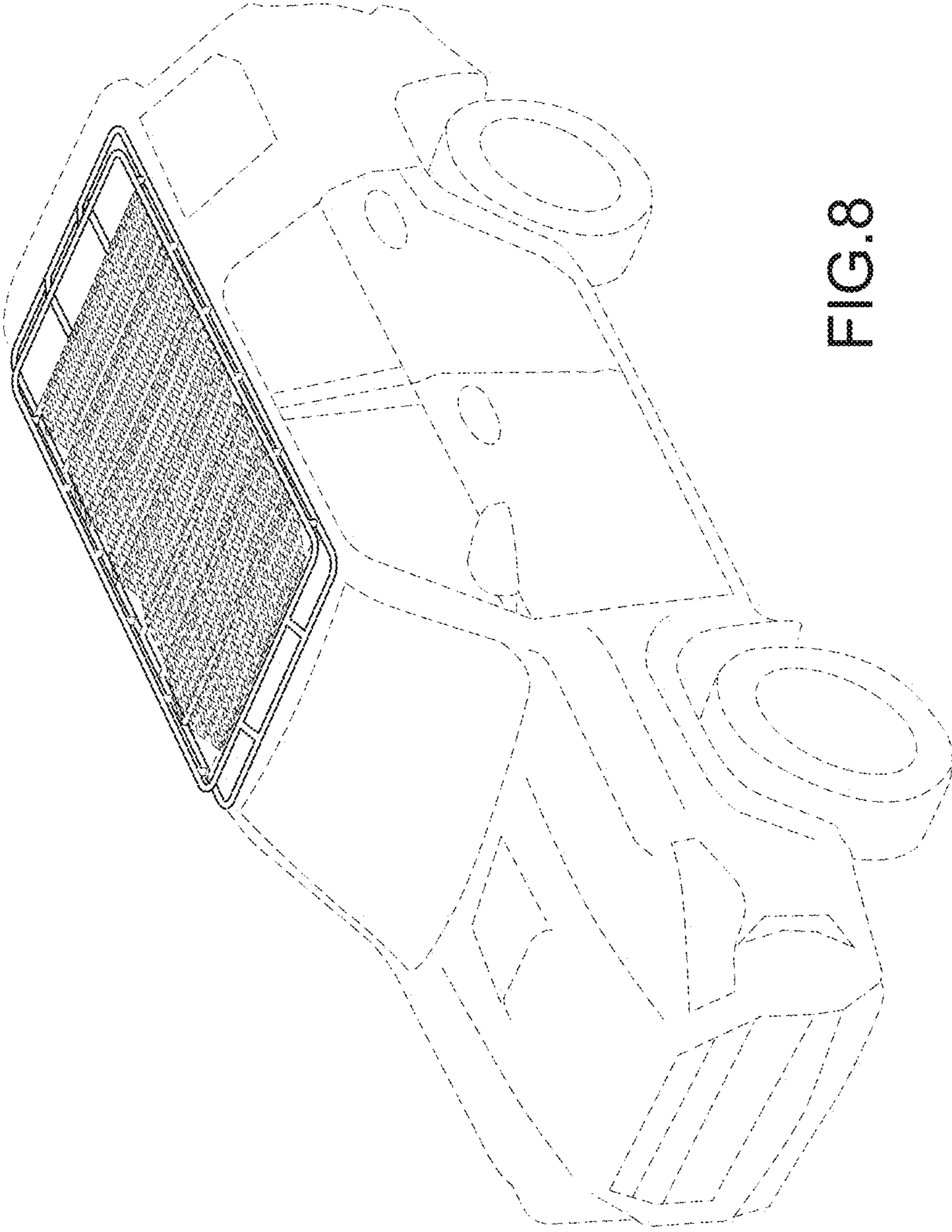


FIG.8

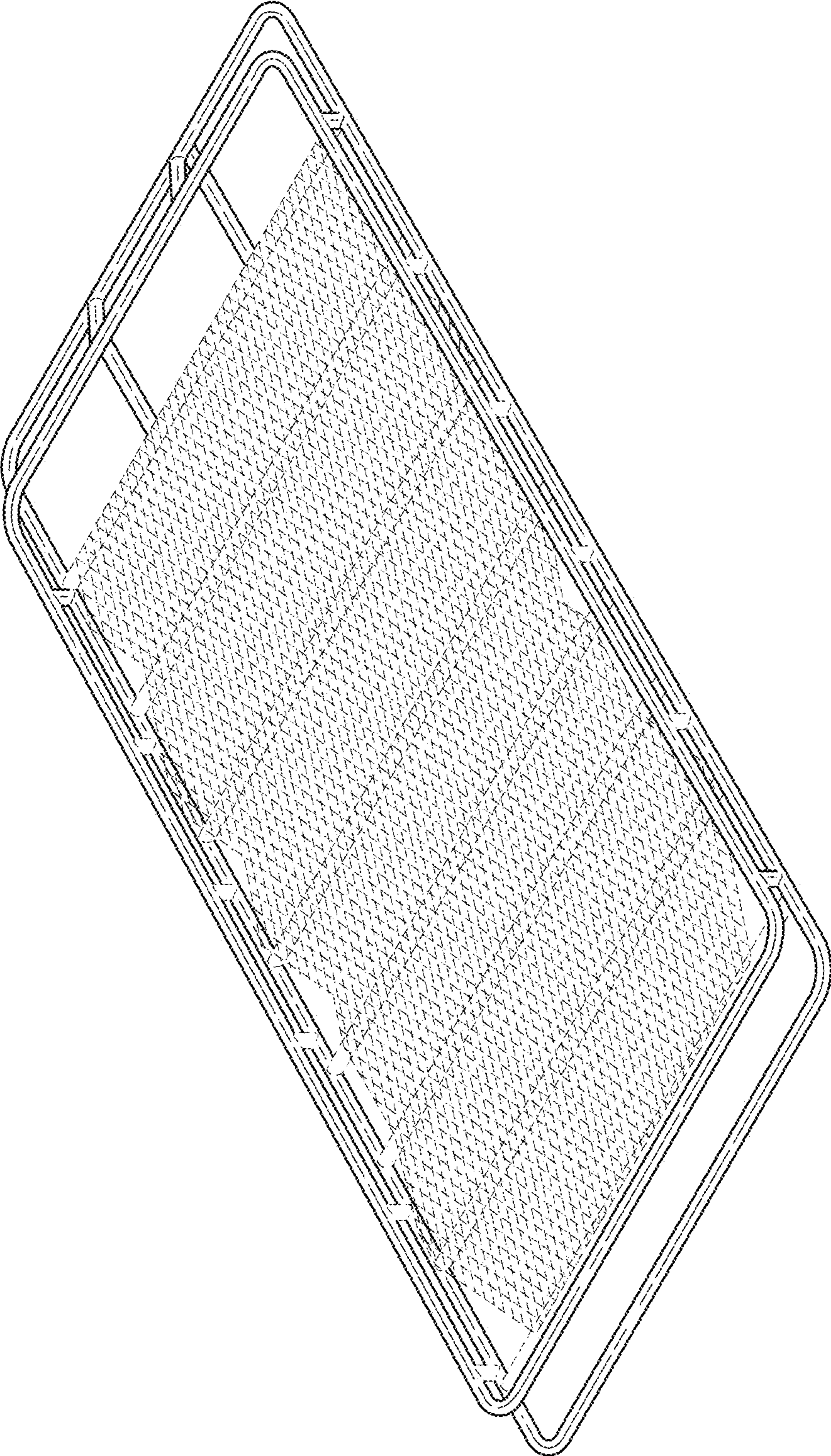


FIG. 9

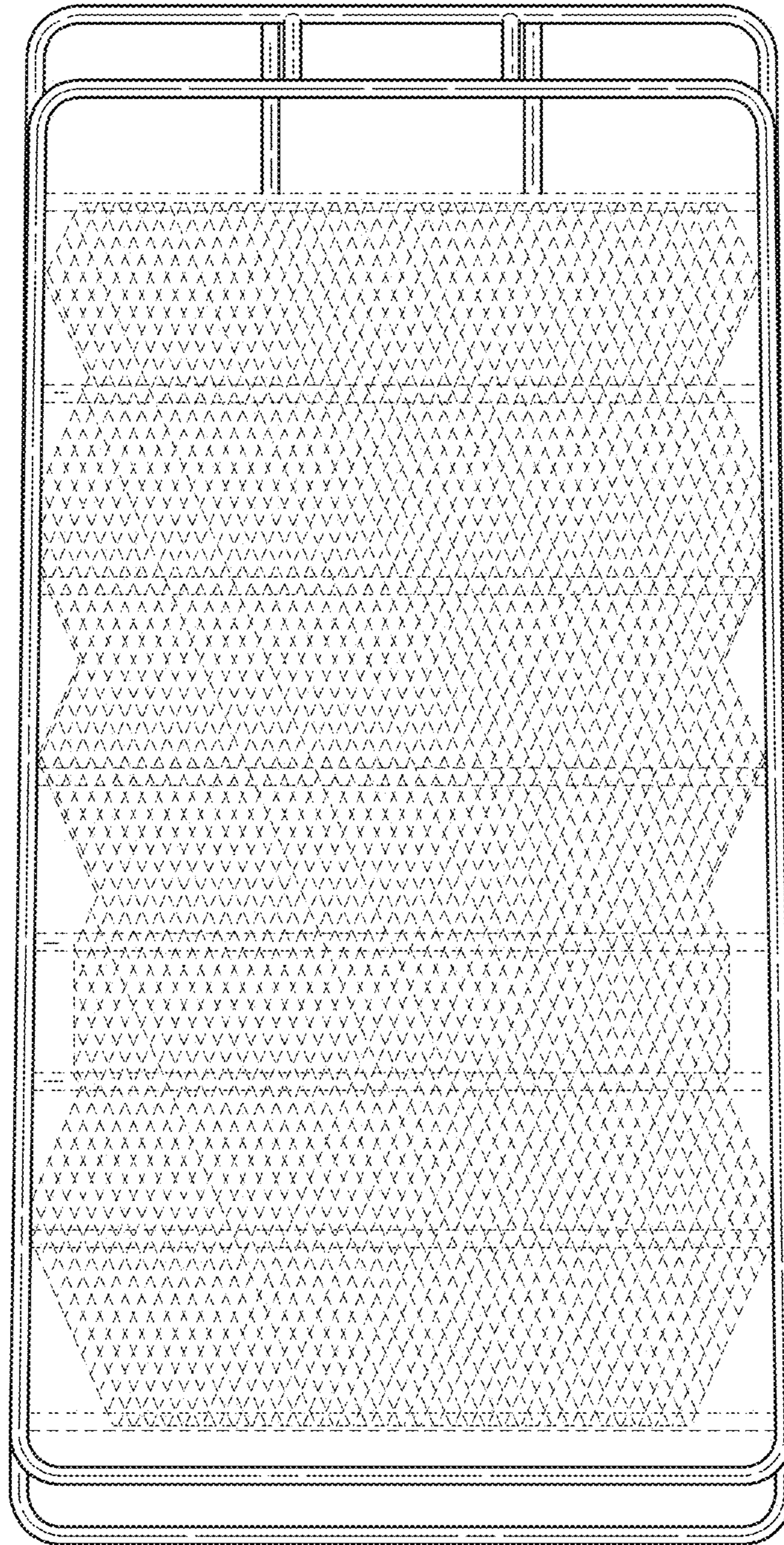


FIG. 10

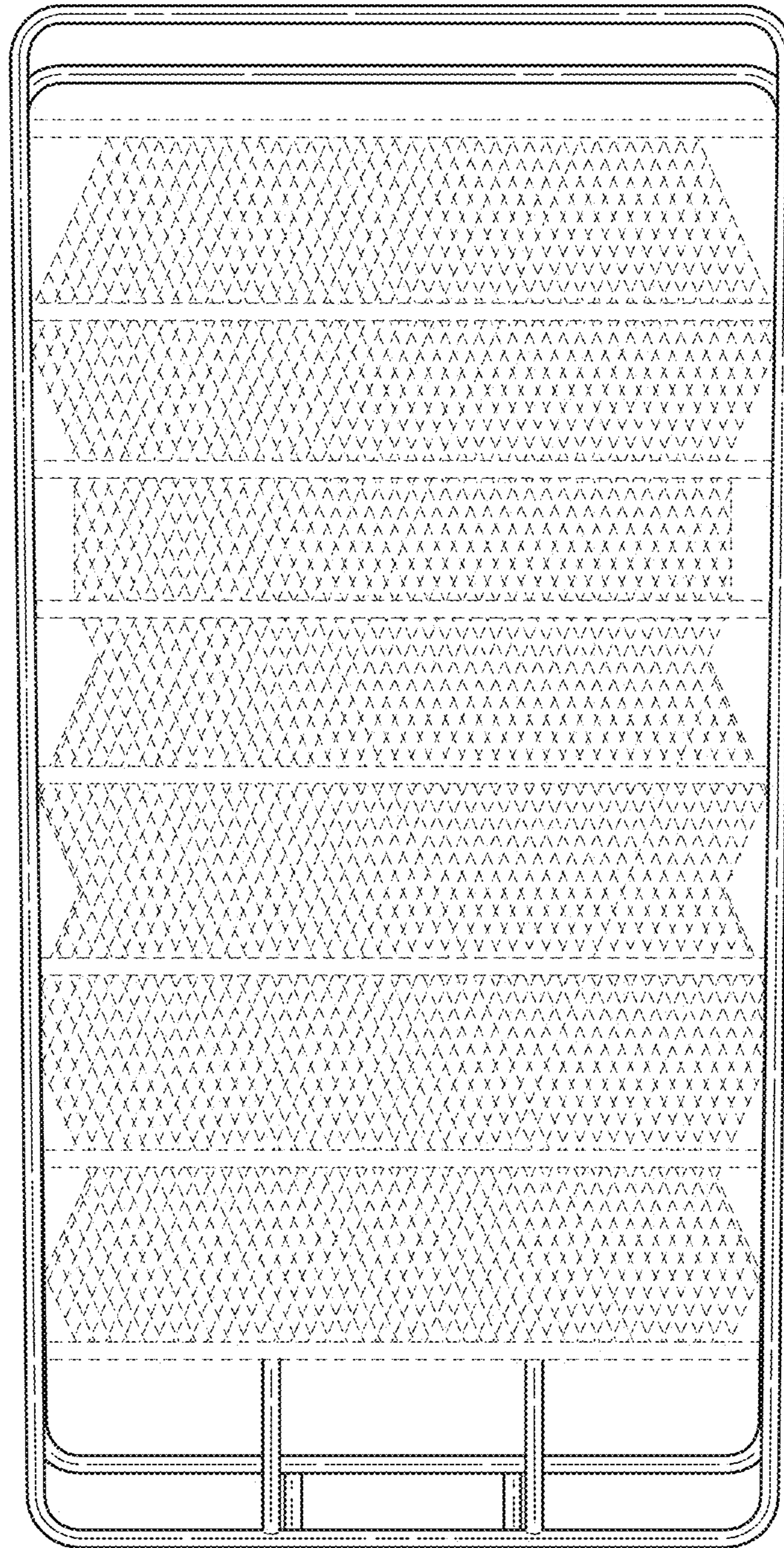


FIG. 11



FIG. 12



FIG. 13

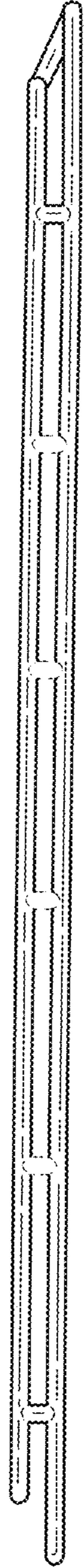


FIG.14

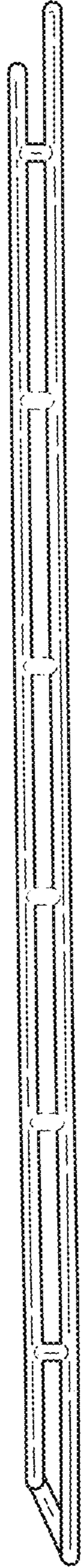


FIG.15



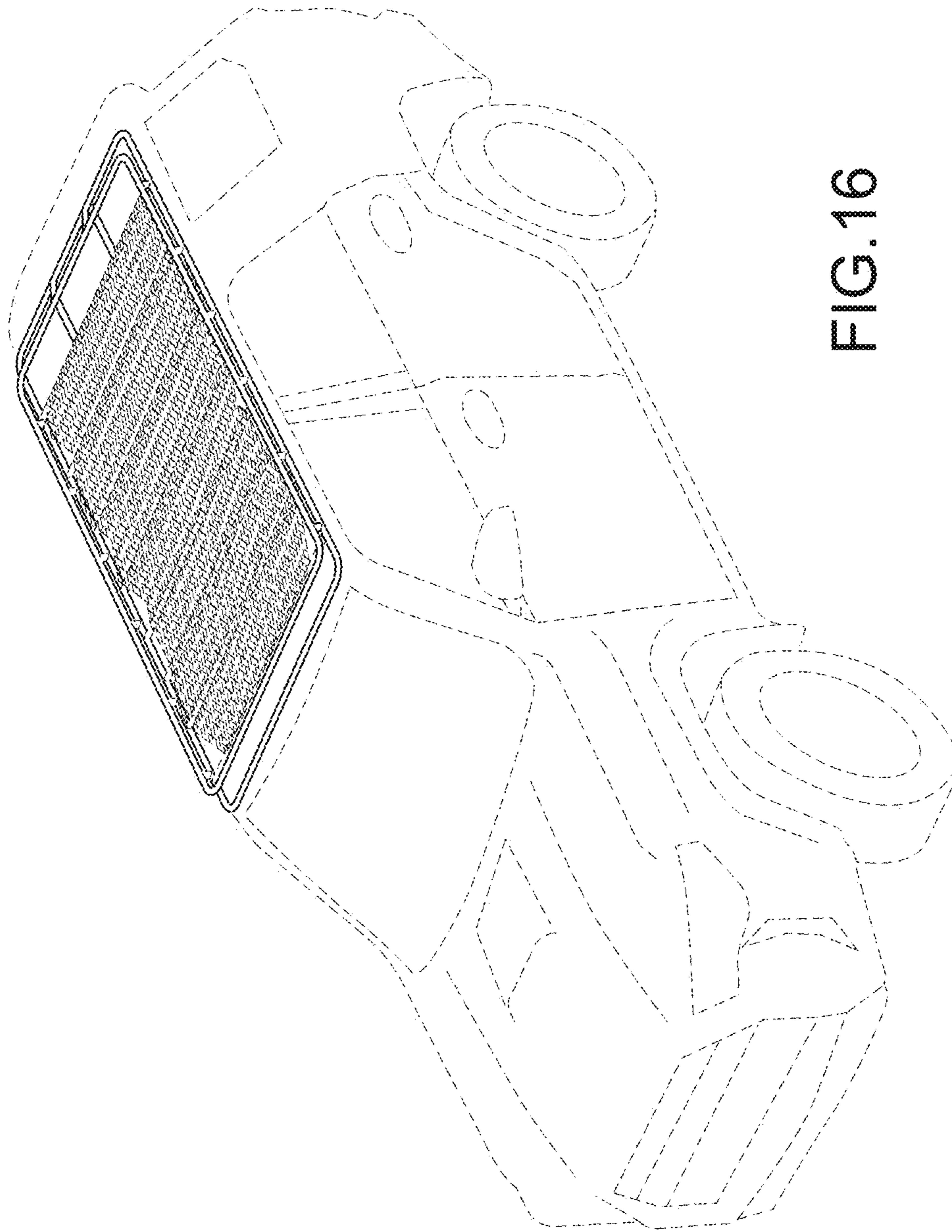


FIG.16

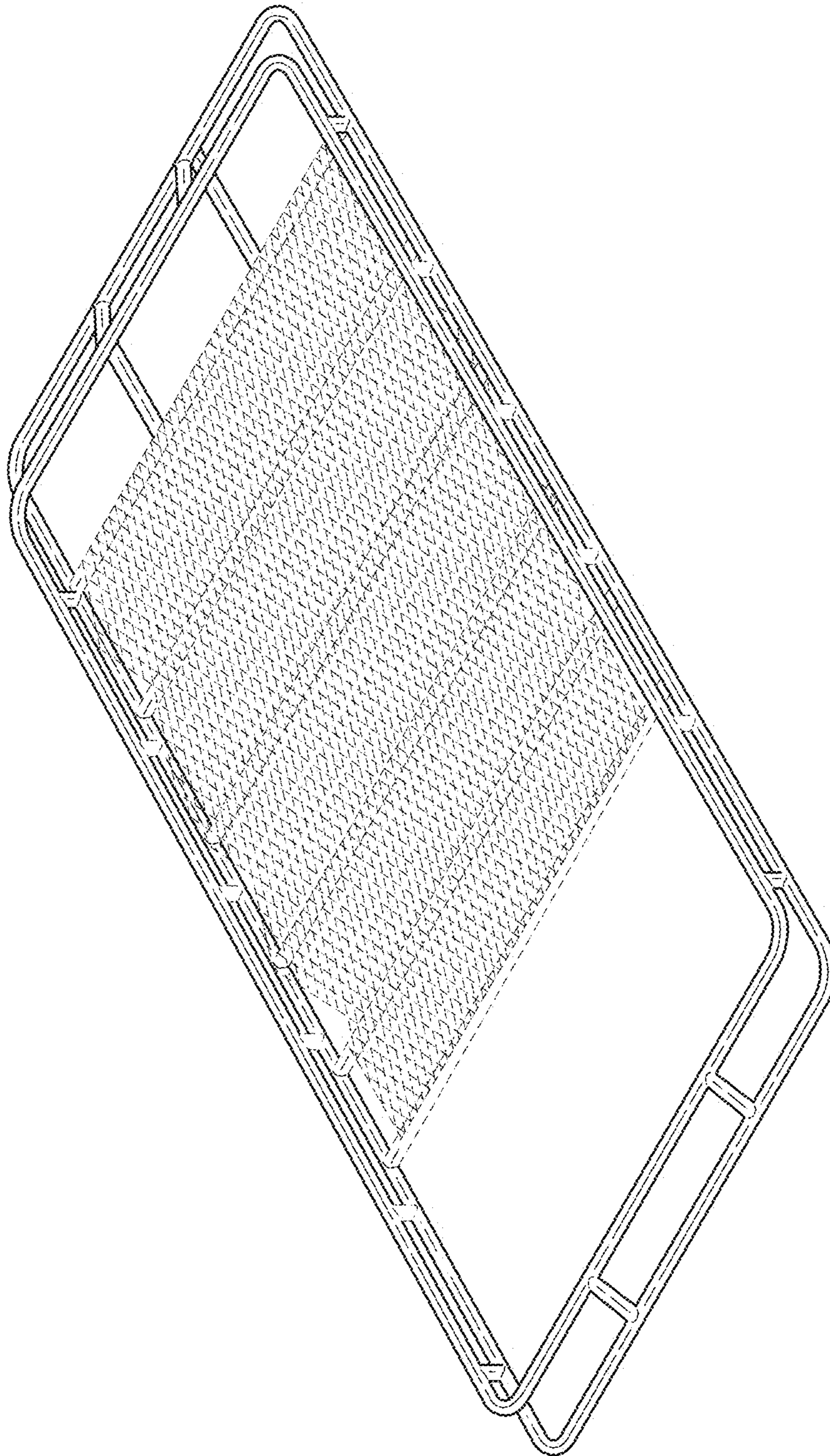


FIG.17

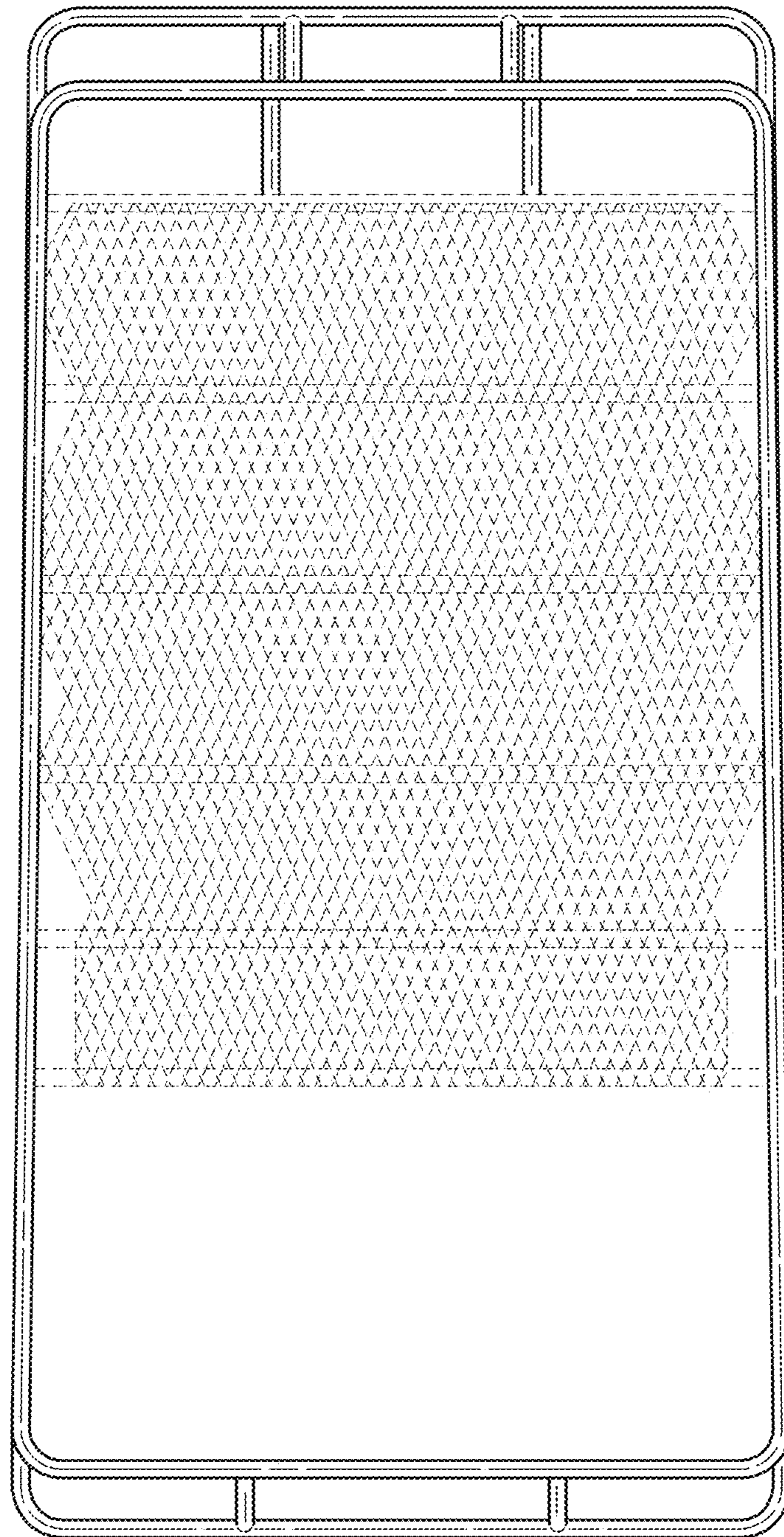


FIG.18

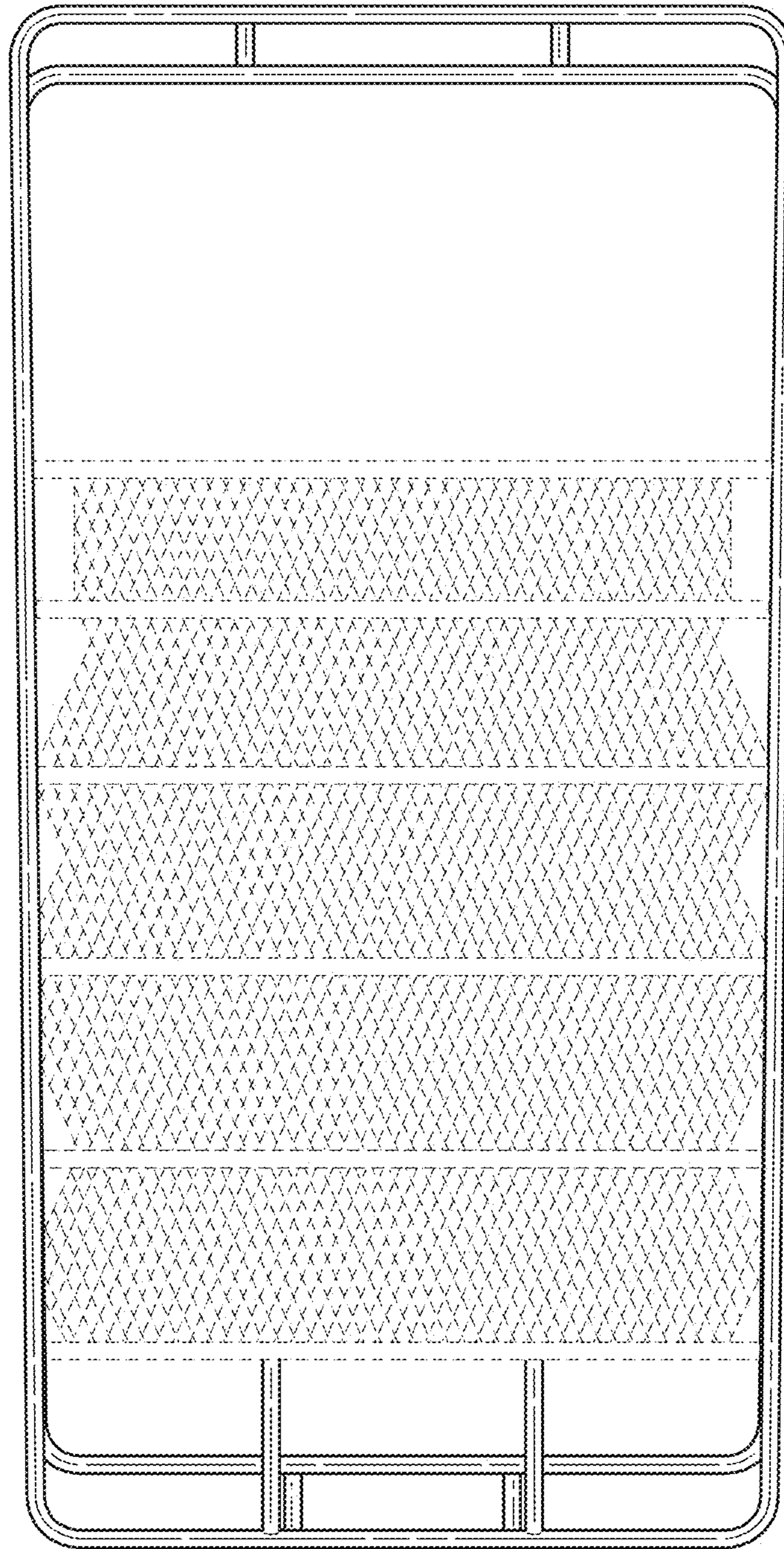


FIG. 19

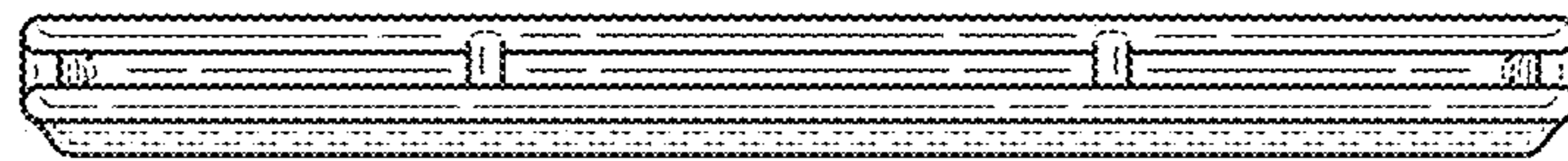


FIG.20

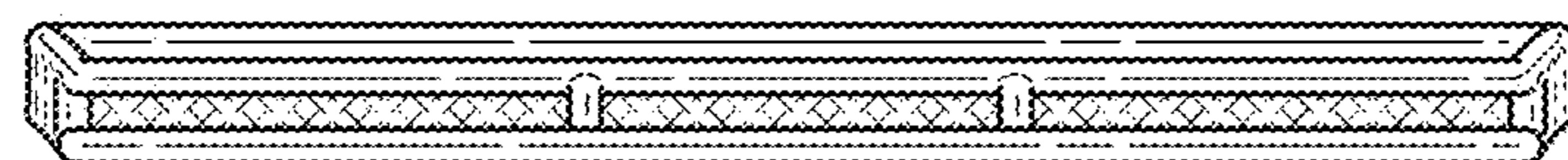


FIG.21

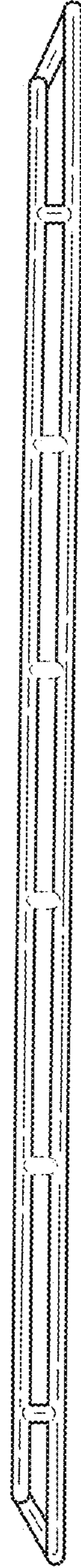


FIG.22

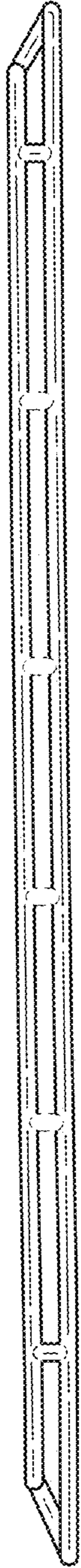


FIG.23

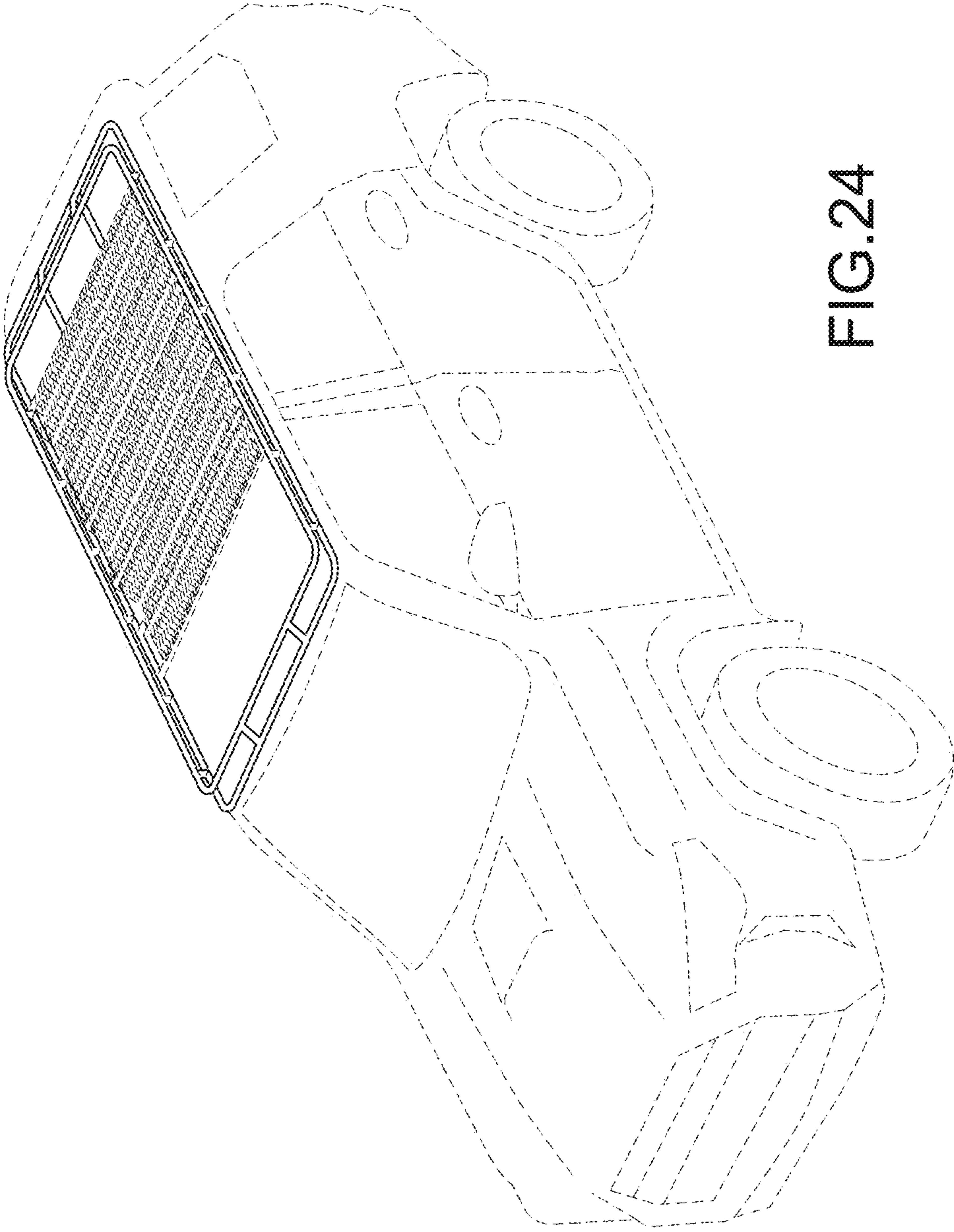


FIG.24



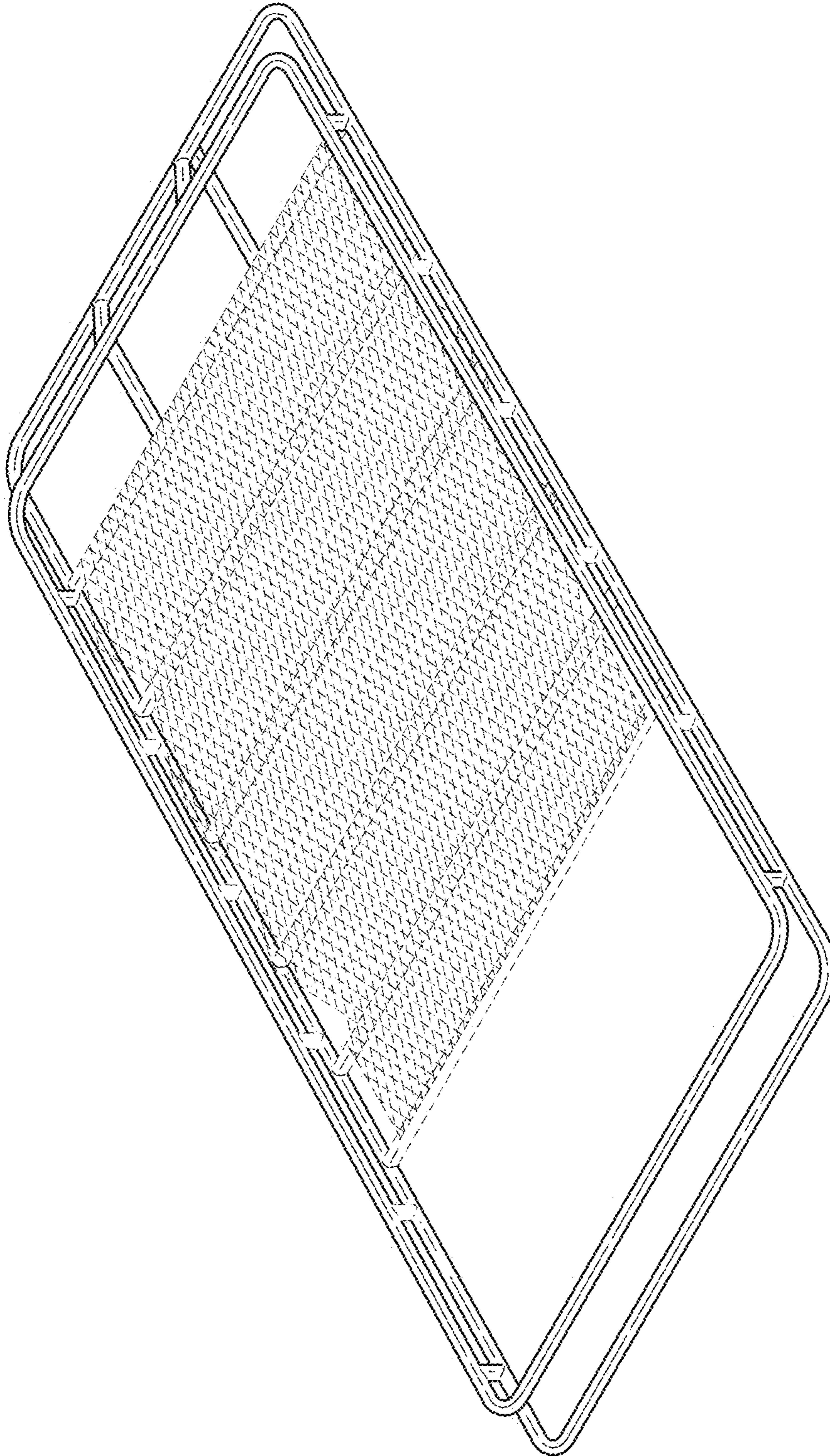


FIG.25

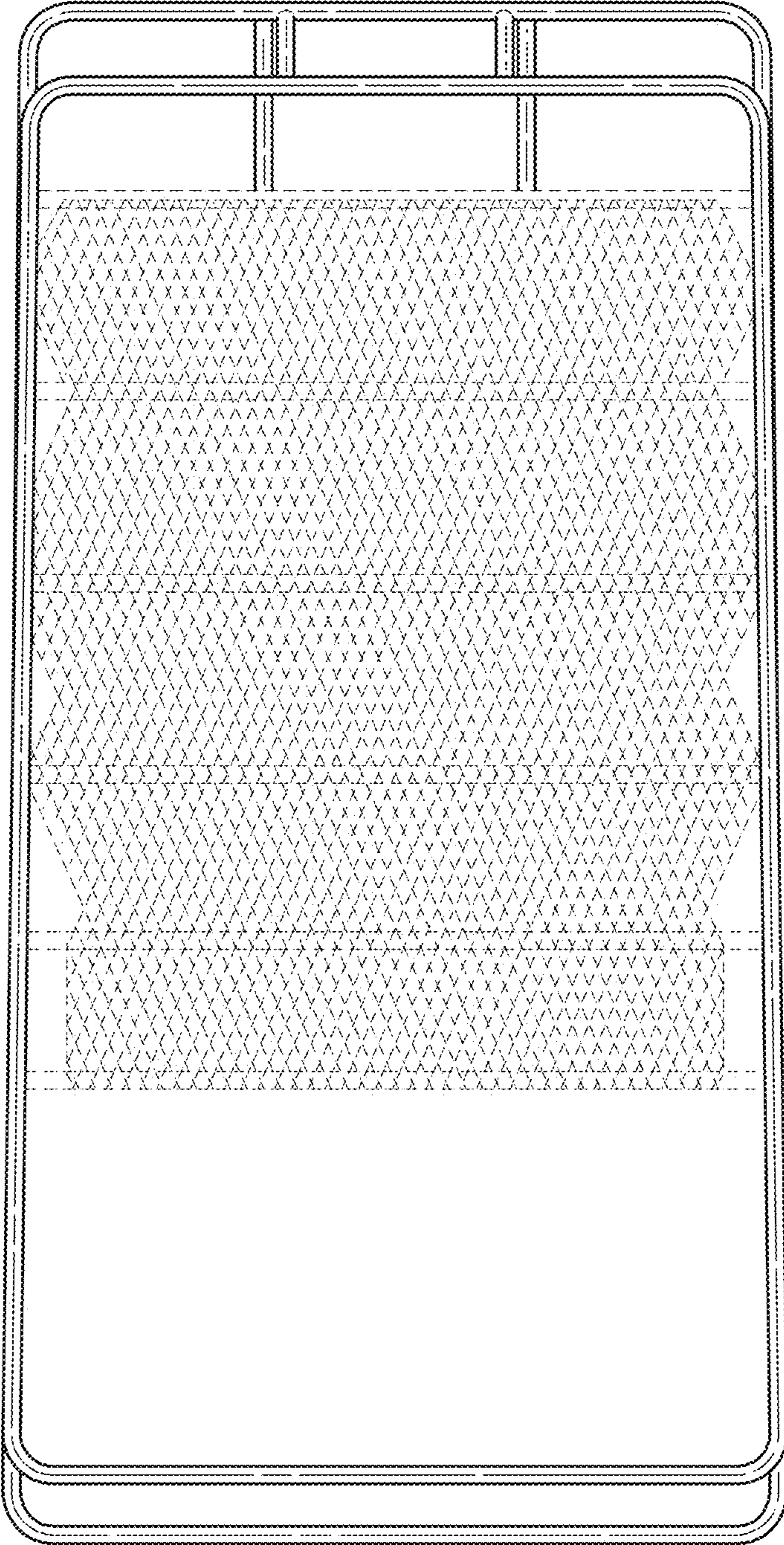


FIG.26

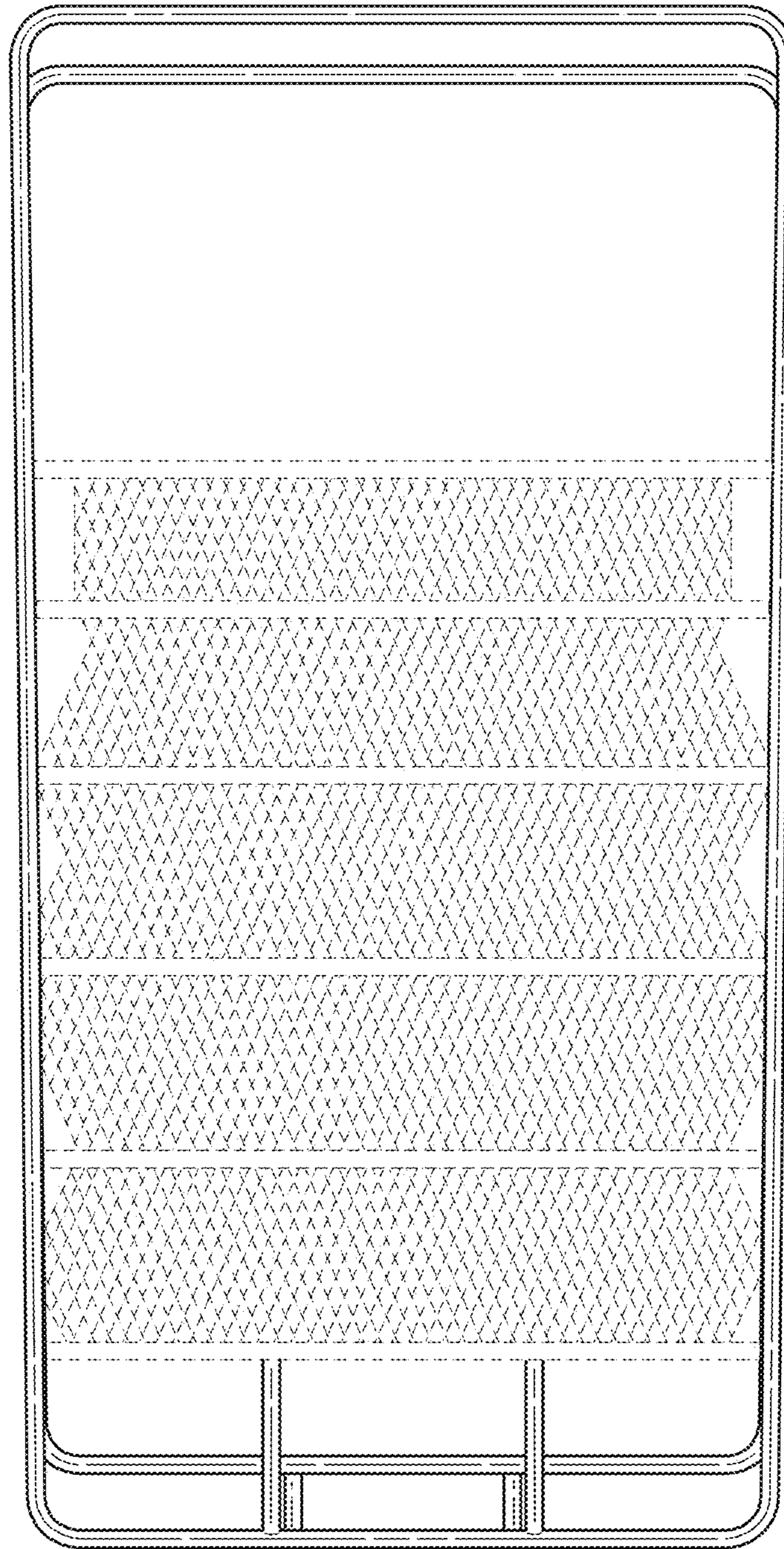


FIG. 27

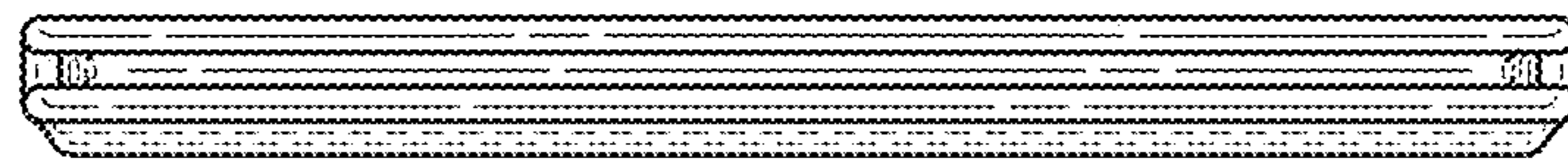


FIG.28

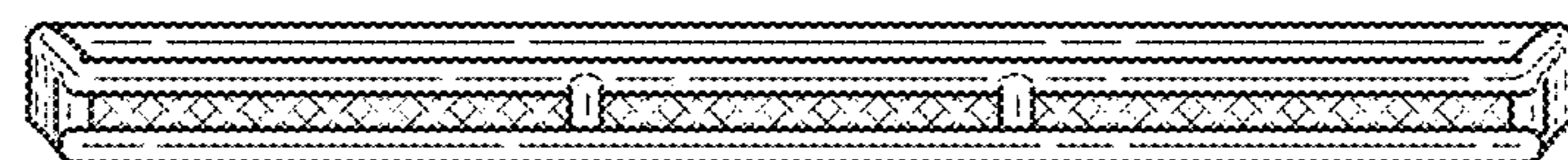


FIG.29

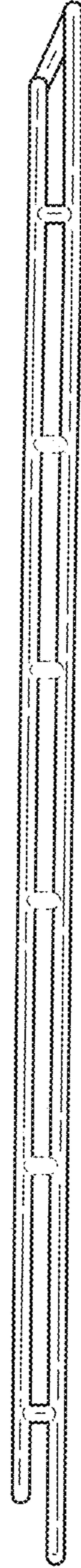


FIG.30



FIG.31

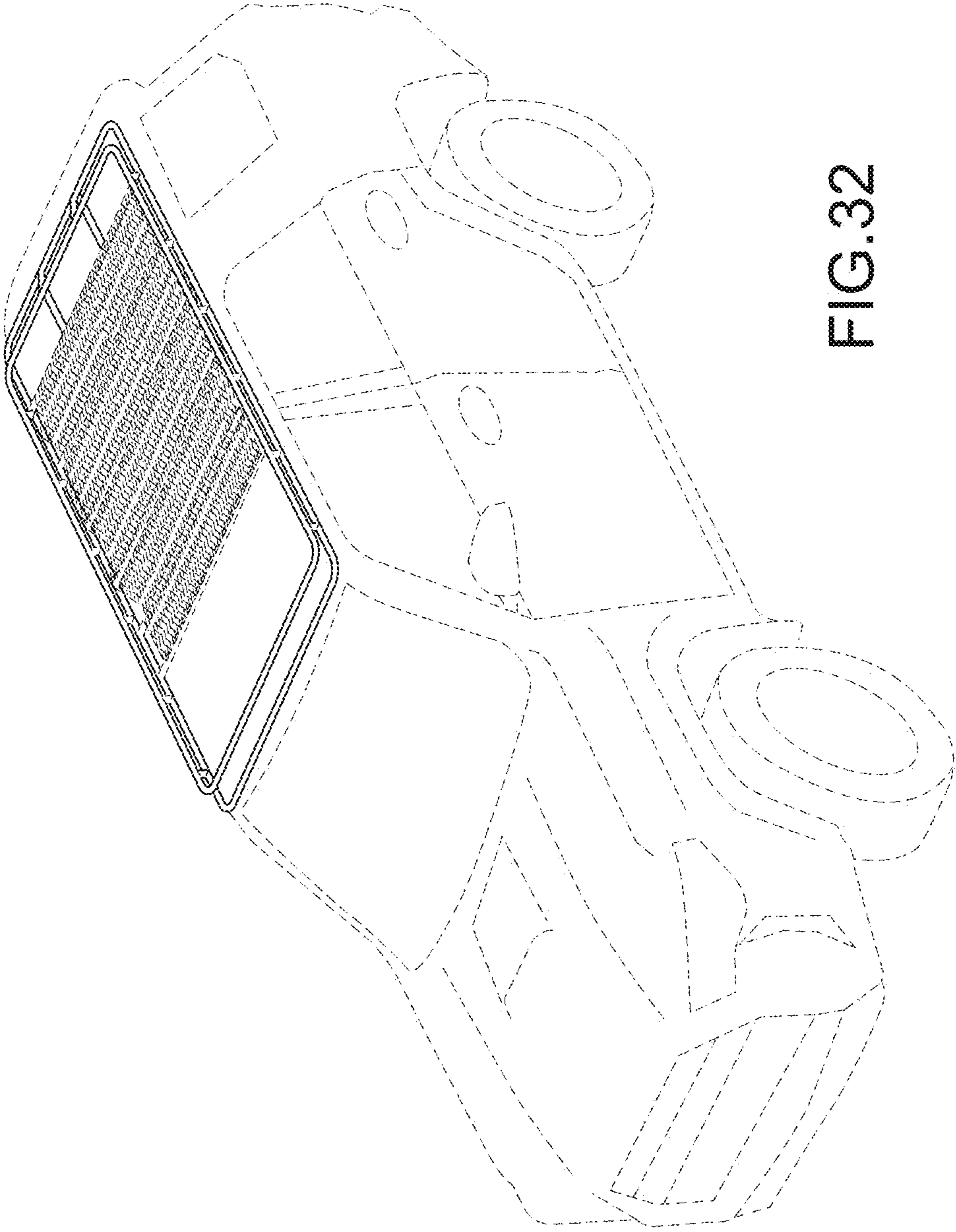


FIG.32