



US00D914579S

(12) **United States Design Patent**
Biscan

(10) **Patent No.:** **US D914,579 S**

(45) **Date of Patent:** **** Mar. 30, 2021**

(54) **TRUCK BODY ROOF TOP WITH A
DYNAMIC ASPECT IN THE ROOF TOP**

(71) Applicant: **Stahl/Scott Fetzer Company**, Wooster,
OH (US)

(72) Inventor: **Kent R. Biscan**, Clinton, OH (US)

(73) Assignee: **Stahl/Scott Fetzer Company**, Wooster,
OH (US)

(**) Term: **15 Years**

(21) Appl. No.: **29/691,798**

(22) Filed: **May 20, 2019**

(51) **LOC (13) Cl.** **12-16**

(52) **U.S. Cl.**
USPC **D12/404**

(58) **Field of Classification Search**
USPC D12/400-414, 100-106, 96, 99, 14, 98,
D12/93; D6/610, 611; 296/180.2, 181.3,
(Continued)

(56) **References Cited**

U.S. PATENT DOCUMENTS

1,713,923 A * 5/1929 Schlicher B60J 7/062
296/105
D143,990 S * 2/1946 Powers D12/96
(Continued)

OTHER PUBLICATIONS

Animal Truck Toppers. AlumLine.com, [online], [site visited Jun.
25, 2020]. <URL: [https://www.alumline.com/products-by-use/
livestock-and-ranch/animal-poppers-and-toppers/animal-truck-
toppers](https://www.alumline.com/products-by-use/livestock-and-ranch/animal-poppers-and-toppers/animal-truck-toppers)> (Year: 2020).*

(Continued)

Primary Examiner — T Chase Nelson
Assistant Examiner — Jonathan J. Han

(74) *Attorney, Agent, or Firm* — Tarolli, Sundheim,
Covell & Tummino LLP; John A. Yirga, Esq.

(57) **CLAIM**

The ornamental design for a truck body roof top with a
dynamic aspect in the roof top, as shown and described.

DESCRIPTION

FIG. 1 is a dynamically fully closed upper-right perspective
view illustrating our ornamental design for a truck body roof
top with a dynamic aspect in the roof top;
FIG. 2 is a dynamically partially opened upper-right per-
spective view thereof;
FIG. 3 is a further dynamically partially opened upper-right
perspective view thereof;
FIG. 4 is a further dynamically partially opened upper-right
perspective view thereof;
FIG. 5 is a further dynamically partially opened upper-right
perspective view thereof;
FIG. 6 is a further dynamically fully opened upper-right
perspective view thereof;
FIG. 7 is a dynamically partially closed upper-right perspec-
tive view thereof;
FIG. 8 is a further dynamically partially closed upper-right
perspective view thereof;
FIG. 9 is a further dynamically partially closed upper-right
perspective view thereof;
FIG. 10 is a further dynamically partially closed upper-right
perspective view thereof;
FIG. 11 is a further dynamically fully closed upper-right
perspective view thereof;
FIG. 12 is a dynamically partially opened upper-left per-
spective view thereof;
FIG. 13 is a further dynamically partially opened upper-left
perspective view thereof;
FIG. 14 is a further dynamically partially opened upper-left
perspective view thereof;
FIG. 15 is a further dynamically fully opened upper-left
perspective view thereof;
FIG. 16 is a dynamically partially closed upper-left perspec-
tive view thereof;
FIG. 17 is a further dynamically partially closed upper-left
perspective view thereof;

(Continued)

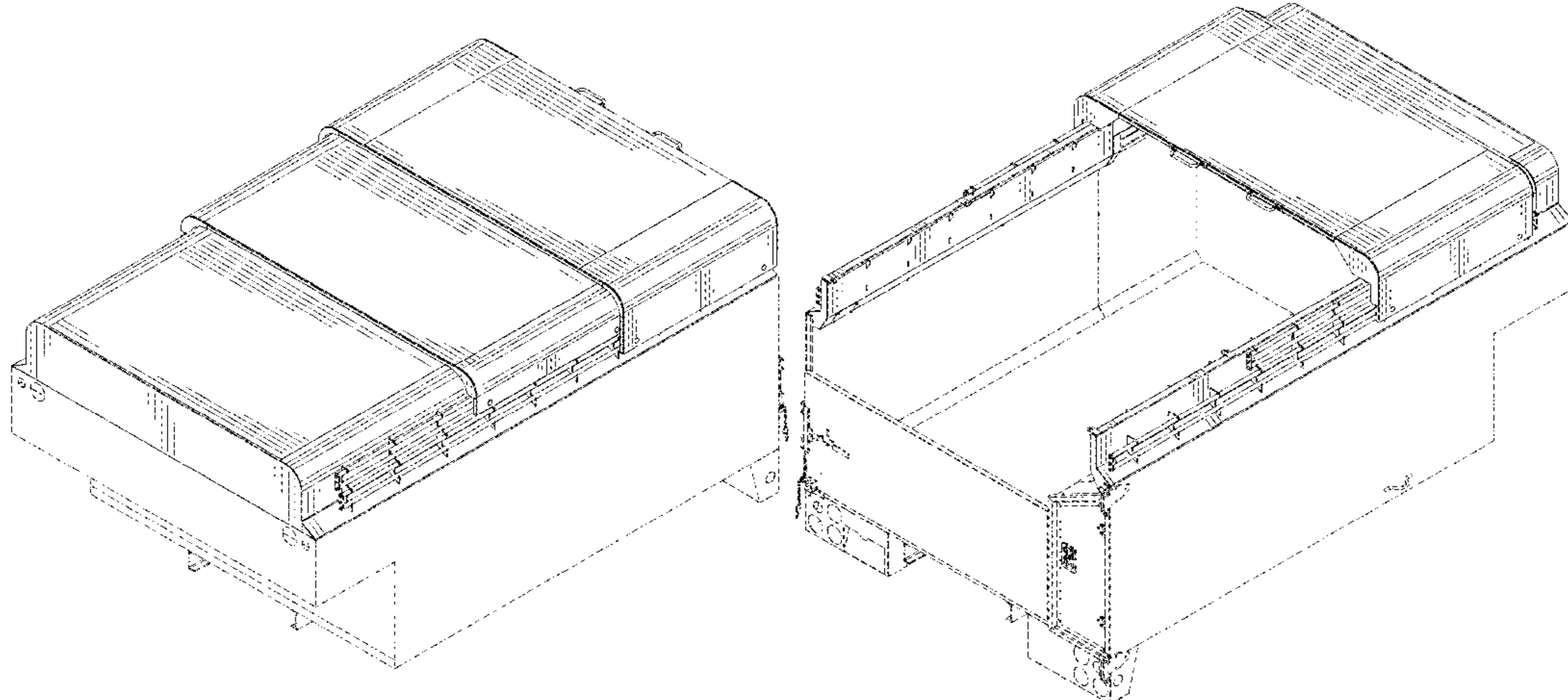


FIG. 18 is a further dynamically partially closed upper-left perspective view thereof; and,

FIG. 19 is a further dynamically fully closed upper-left perspective view thereof.

In the drawings, the broken lines depict environmental subject matter only and form no part of the claimed design. The appearance of the dynamic images sequentially transitions between the images shown in FIGS. 1-19. The process or period in which one dynamic image transitions to another in FIGS. 1-19 forms no part of the claimed design.

1 Claim, 19 Drawing Sheets

(58) Field of Classification Search

USPC 296/24.1, 37.6, 37.1, 183, 35.1, 10, 26, 296/164, 100, 99.1; 280/204, 656; 180/89.12, 89.16, 89.19
 CPC B60R 9/00; B60R 9/02; B60R 9/04; B60R 9/08; B60R 9/042; B60R 9/0423; B60R 9/0426; B60R 9/045; B60R 9/048; B60R 9/0485; B60R 9/05; B60R 9/052; B60R 9/055; B60R 9/058; B60R 9/06; B60R 9/065; B60R 9/10; B60R 9/12; A47D 15/00; A47C 7/66; A47C 31/00; A47G 9/068

See application file for complete search history.

(56) References Cited

U.S. PATENT DOCUMENTS

2,846,262 A * 8/1958 Ray B60J 7/102
 296/161
 3,168,345 A * 2/1965 Roberts B60J 7/1265
 296/100.14
 3,179,464 A * 4/1965 McBurney B60J 7/062
 296/100.13
 3,363,938 A * 1/1968 Schultz B60J 7/062
 296/65.05
 3,379,468 A * 4/1968 Woodward B60J 7/102
 296/100.17
 3,572,821 A * 3/1971 Van Antwerp B60J 7/198
 296/100.02
 3,954,296 A * 5/1976 Patnode B60J 7/1621
 296/10
 4,265,479 A * 5/1981 Langston B60J 7/1265
 296/100.14
 D264,576 S * 5/1982 Godwin D12/405
 4,948,193 A * 8/1990 Weaver B60J 7/062
 296/100.11

5,064,240 A * 11/1991 Kuss B60J 7/1614
 248/166
 D342,930 S 1/1994 Lewellen et al.
 D343,814 S * 2/1994 Michel D12/401
 D351,823 S * 10/1994 Lewellen D12/405
 D364,591 S * 11/1995 Lewellen D12/96
 D381,953 S * 8/1997 Collins D12/401
 5,772,271 A * 6/1998 Sanders B60P 3/42
 296/183.1
 D397,560 S * 9/1998 Socha D6/674
 D400,124 S * 10/1998 Mason D12/93
 D431,225 S * 9/2000 Perlman D12/404
 D431,499 S * 10/2000 Schwalbe D12/96
 D489,673 S * 5/2004 Block D12/404
 D514,986 S * 2/2006 Swails D12/101
 D563,272 S * 3/2008 Hammick D12/12
 D610,067 S * 2/2010 Frankham D12/404
 D619,078 S * 7/2010 Frankham D12/404
 D638,343 S * 5/2011 Kramer D12/403
 8,082,698 B2 * 12/2011 Drake B60P 3/34
 296/165
 D661,229 S * 6/2012 O'Neill D12/102
 D680,942 S * 4/2013 Champe D12/405
 D743,844 S * 11/2015 Khoroushi D12/12
 D758,252 S * 6/2016 Murray D12/93
 D762,145 S * 7/2016 Van Bosstraeten D12/102
 D790,397 S * 6/2017 Khoroushi D12/12
 D812,545 S * 3/2018 Donohoe D12/404
 D852,113 S * 6/2019 Williams D12/404
 D878,248 S * 3/2020 King D12/102
 2006/0192406 A1 * 8/2006 Seiberling B60J 7/067
 296/98
 2014/0216238 A1 * 8/2014 Pfennig F41H 7/044
 89/36.02
 2015/0130211 A1 * 5/2015 Parshall B60P 7/02
 296/100.05

OTHER PUBLICATIONS

An Exceptionally Well Organized Pickup, JLConline.com, Posted on: Apr. 7, 2014, by David Frane, [online], [site visited Jun. 25, 2020]. <URL: https://www.jlconline.com/tools/trucks-equipment/an-exceptionally-well-organized-pickup_o> (Year: 2014).*

2017 Toyota Revo Samson 'Truework' Hardtop Canopy, NJaluminumLinings.com, [online], [site visited Jun. 25, 2020]. <URL: <https://www.njaluminiumlinings.com/2017-toyota-revo-samson-truework-hardtop-canopy.html>> (Year: 2020).*

(2) pictures illustrating images of removable truck roofs in the prior art. The removable roofs illustrated in the images were on sale in the U.S. at least more than one-year prior to the filing of the subject application, namely the sale occurred earlier than May 19, 2018. (1) page.

* cited by examiner

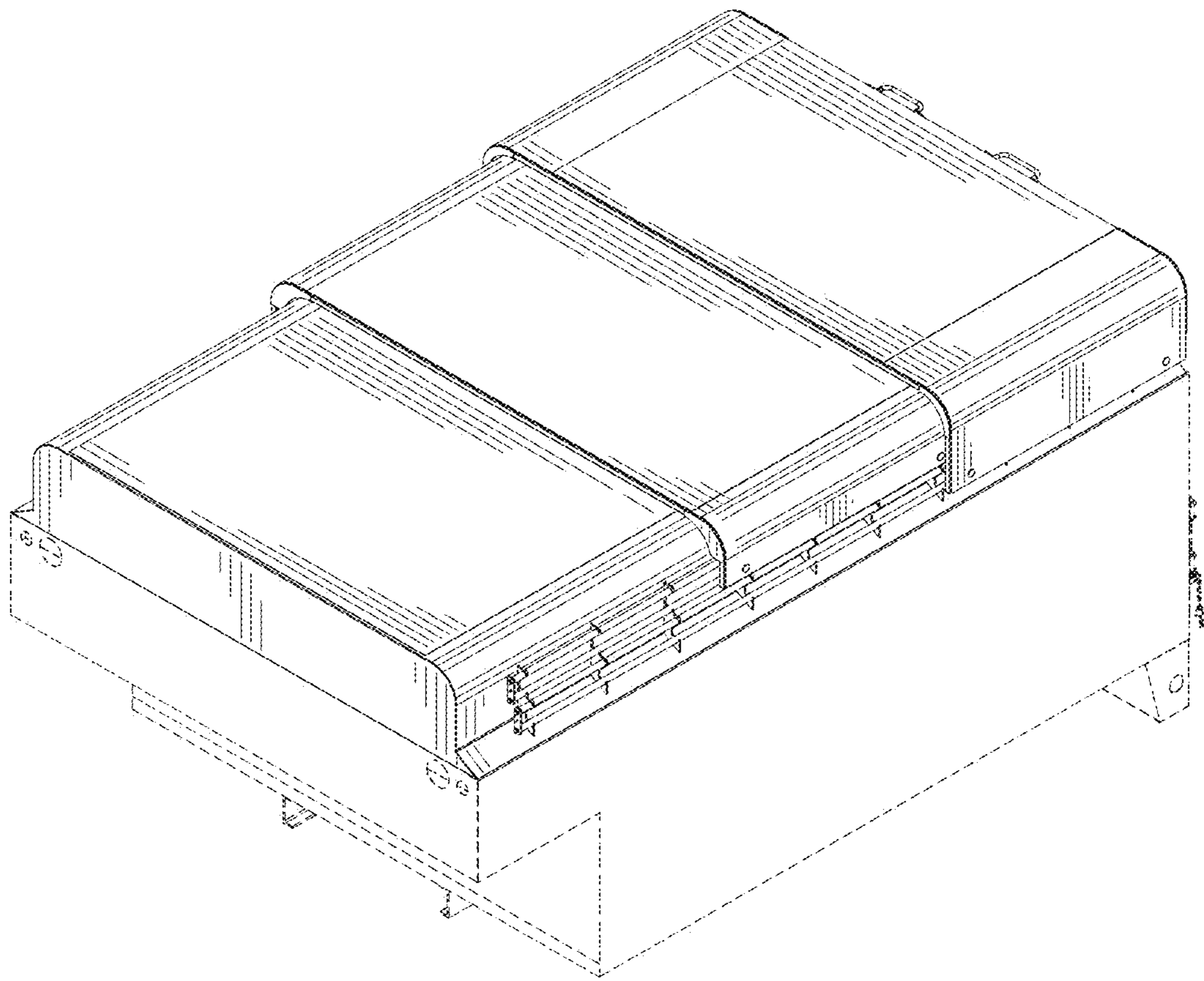


FIG. 1

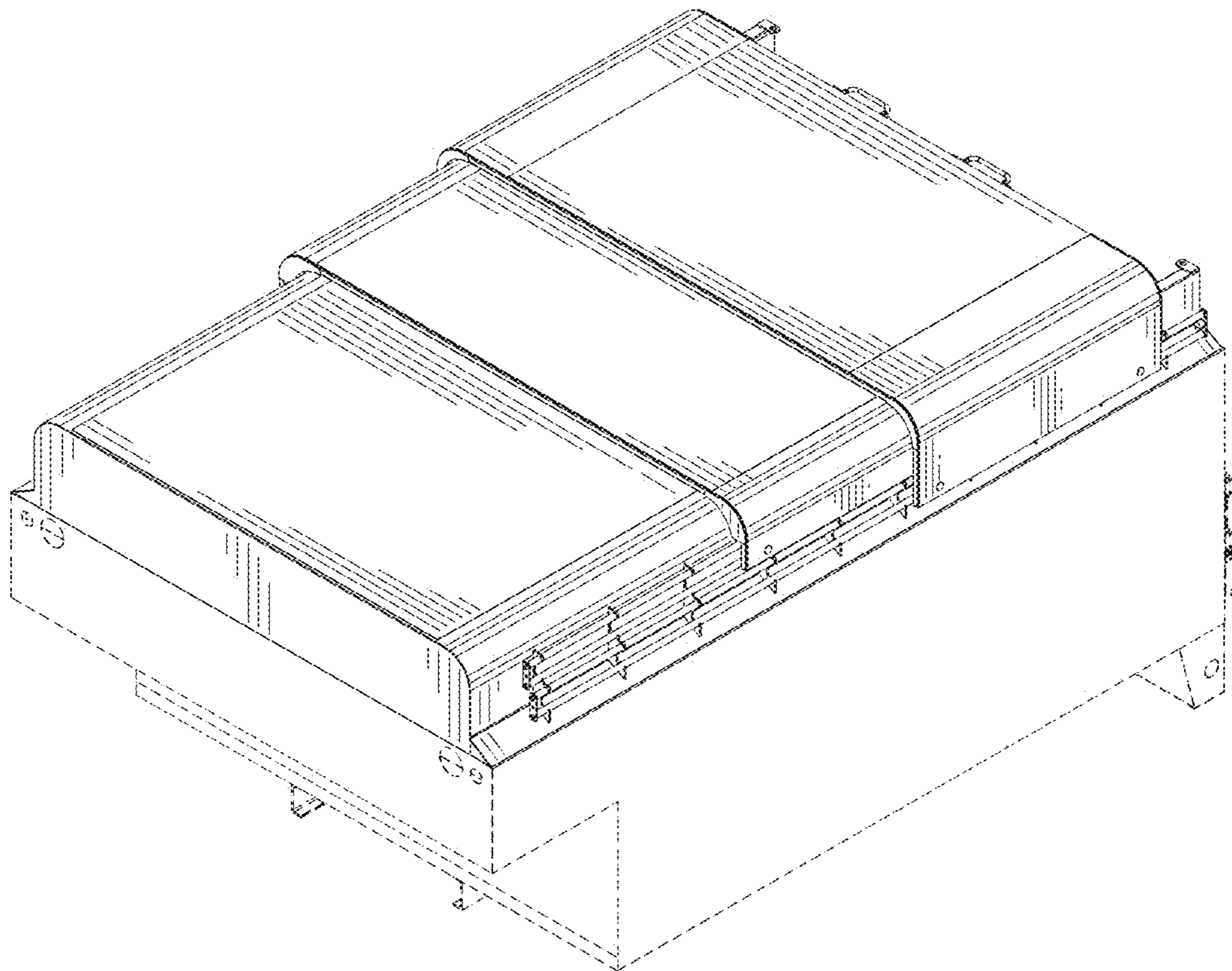


FIG. 2

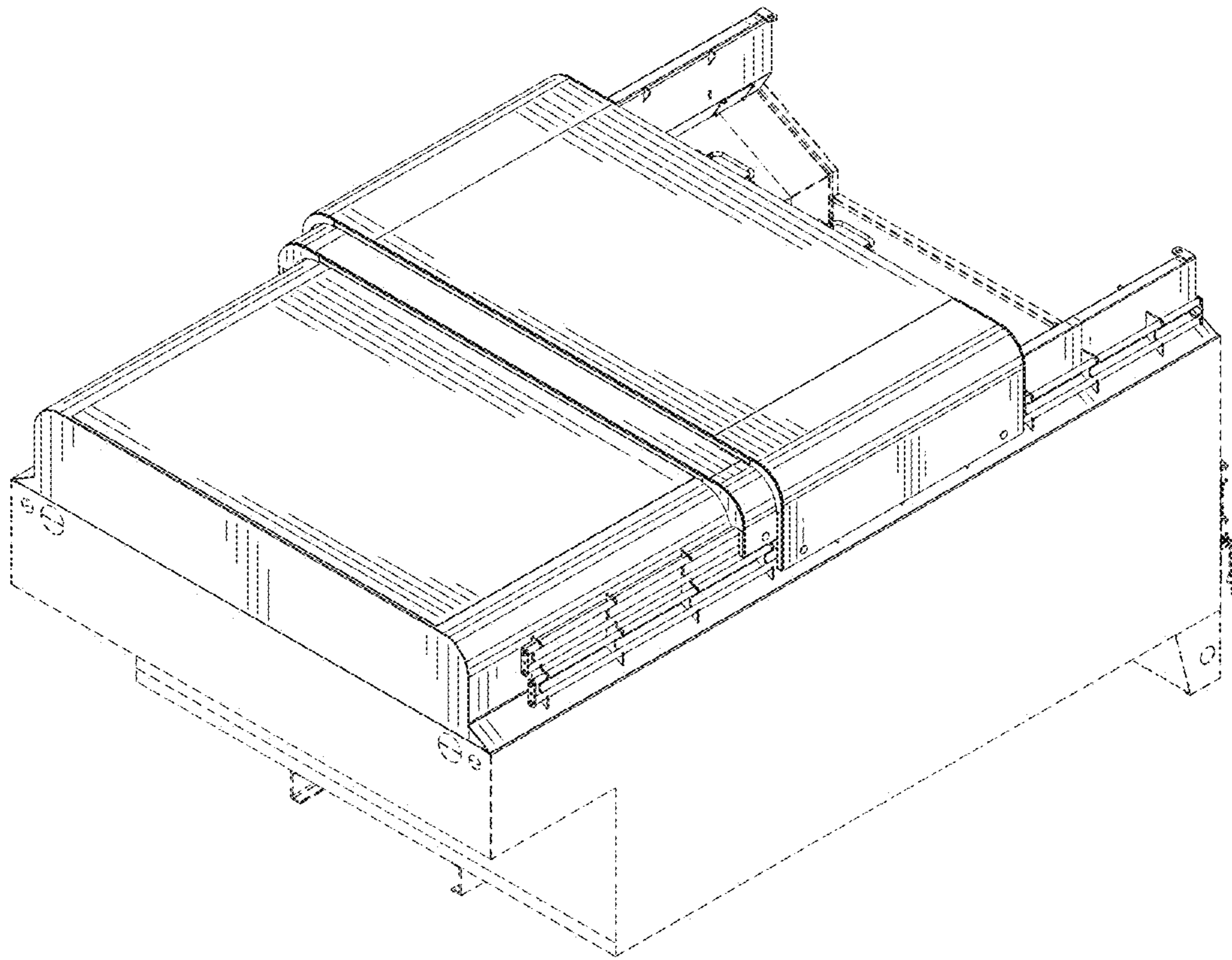


FIG. 3

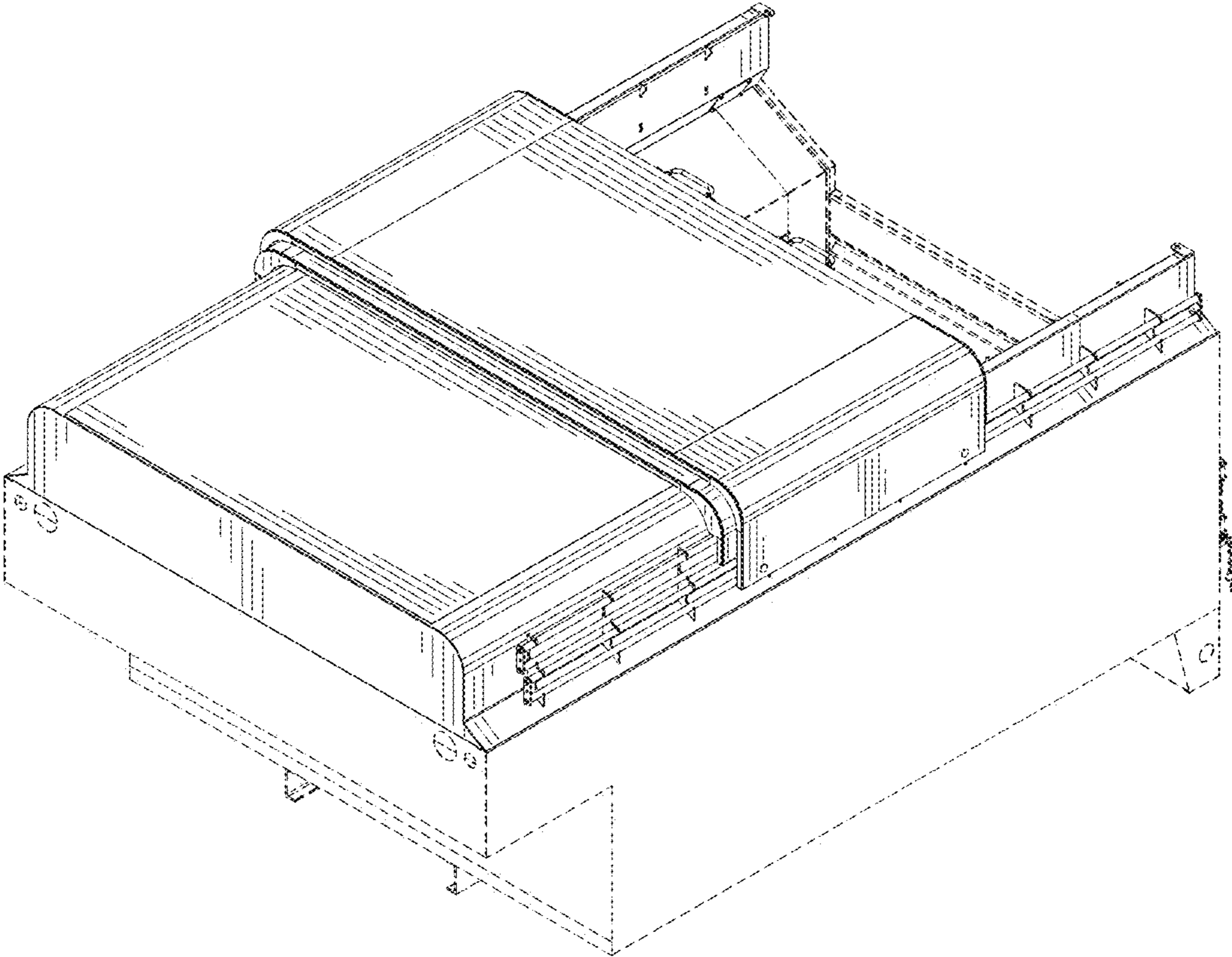


FIG. 4

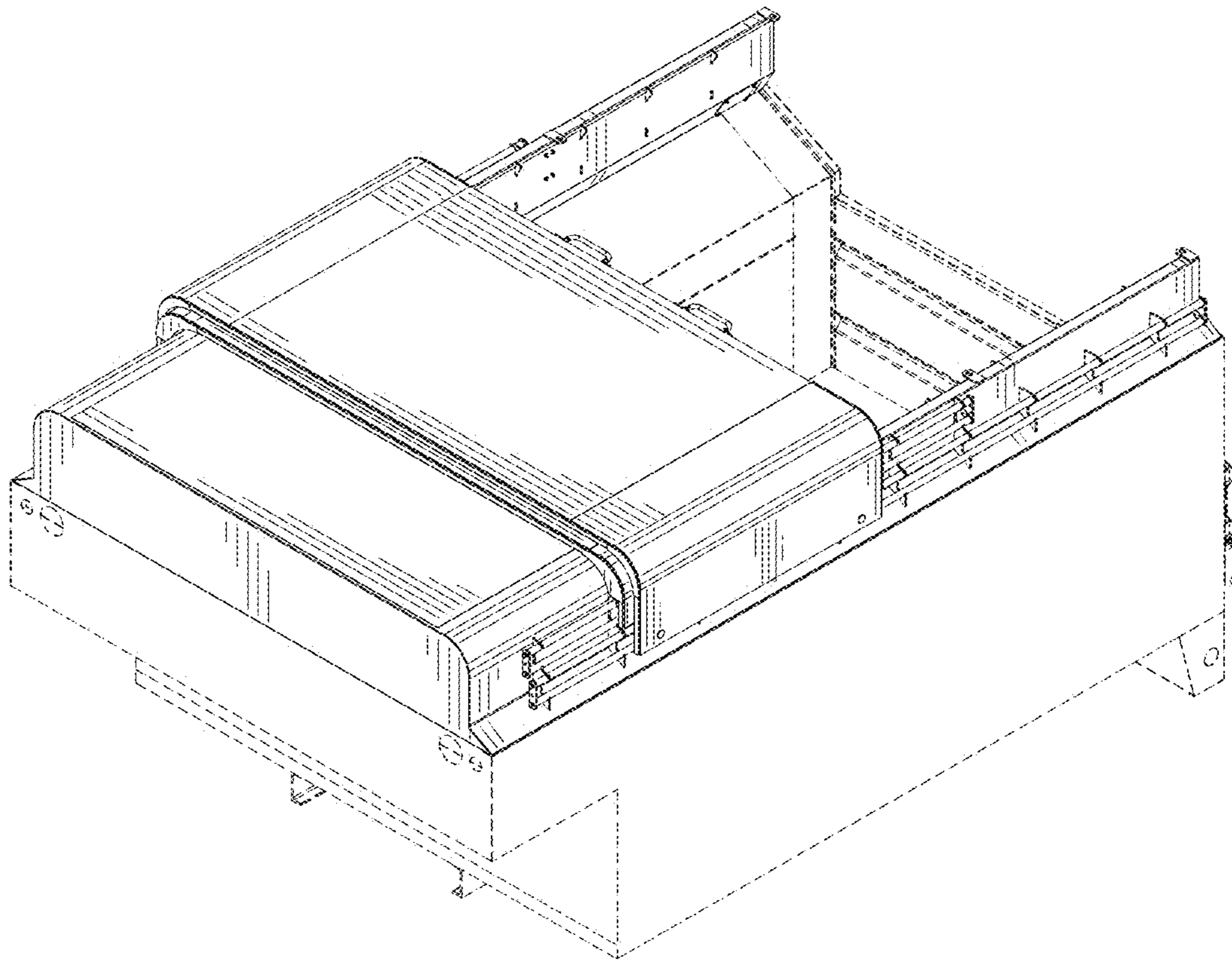


FIG. 5

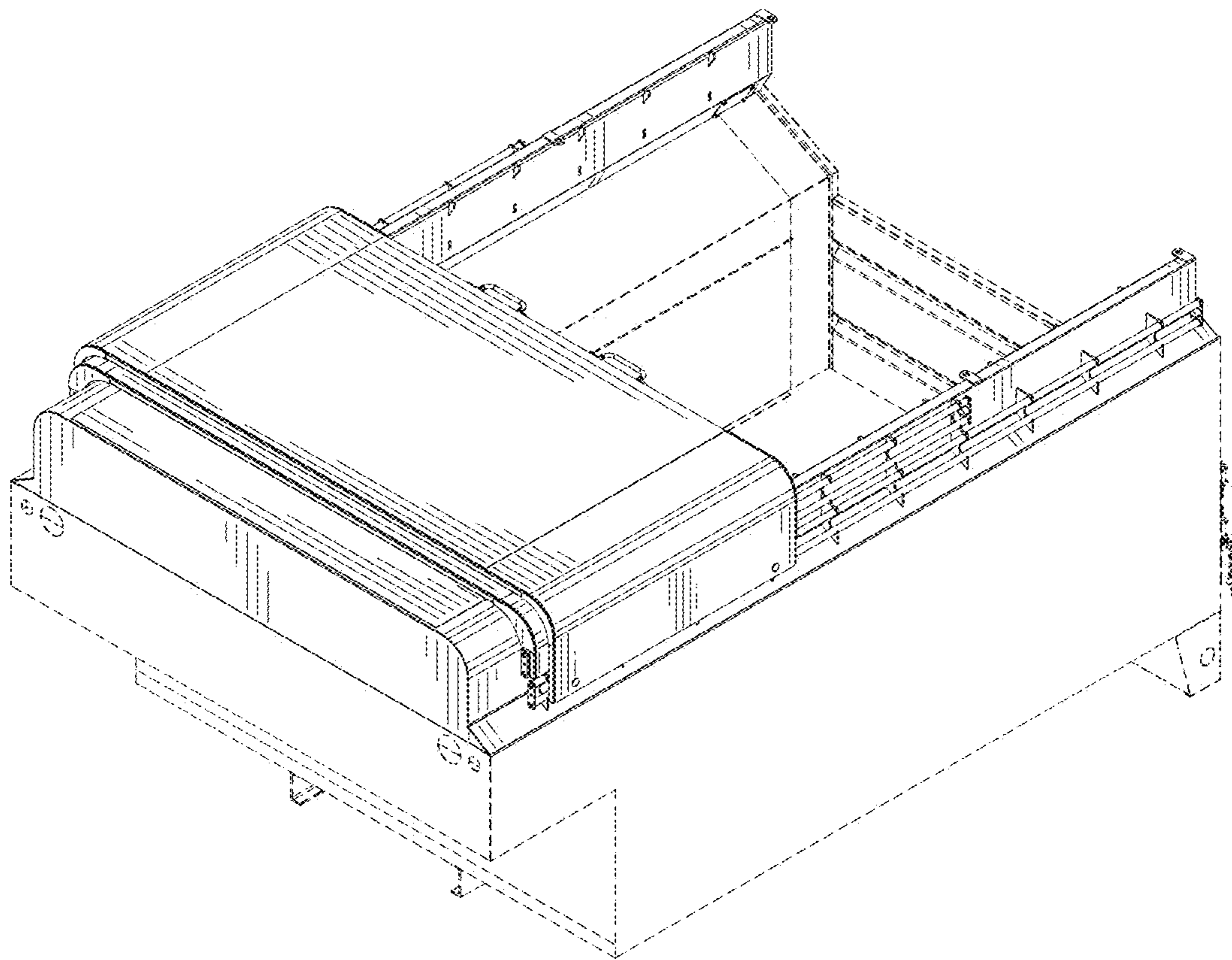


FIG. 6

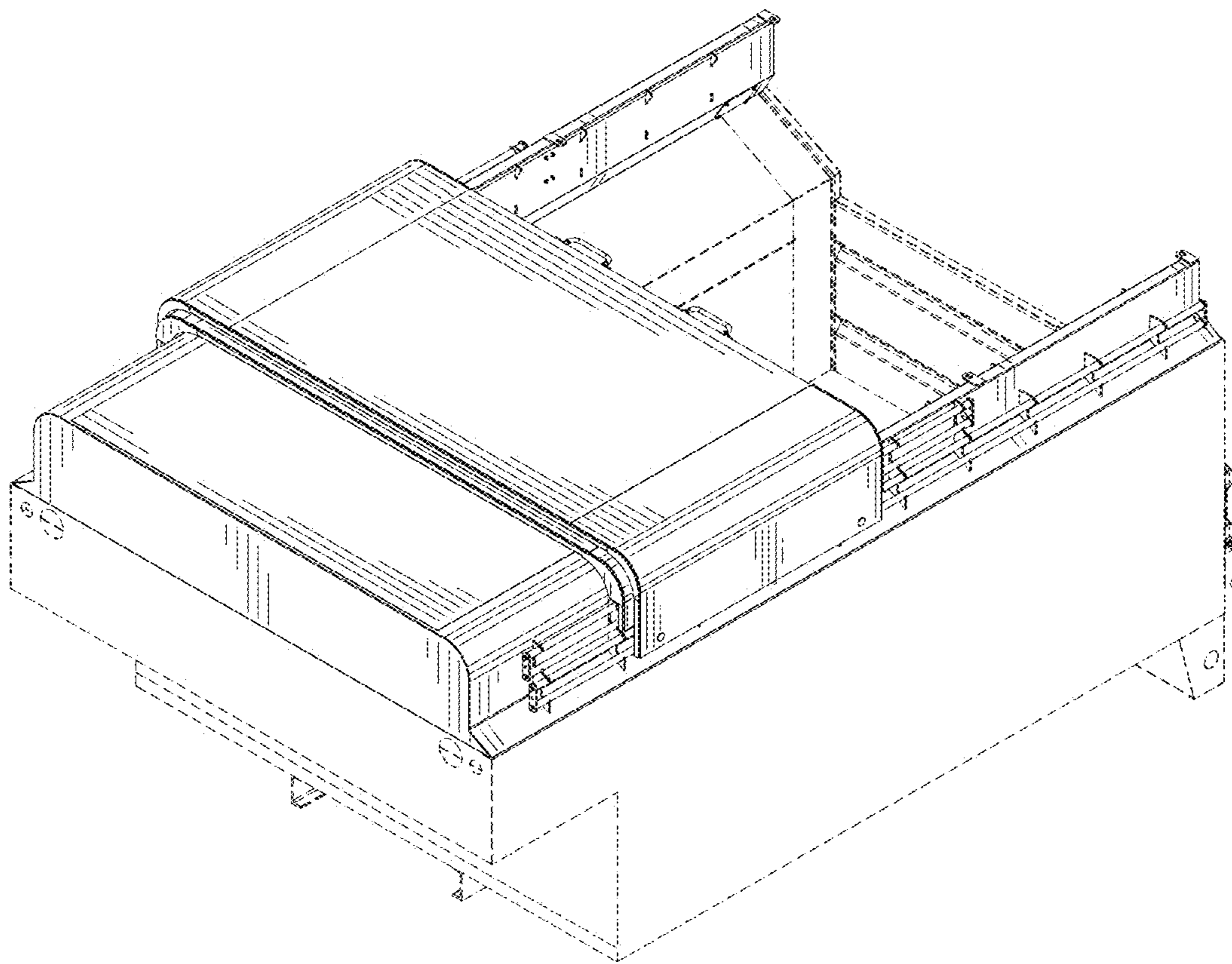


FIG. 7

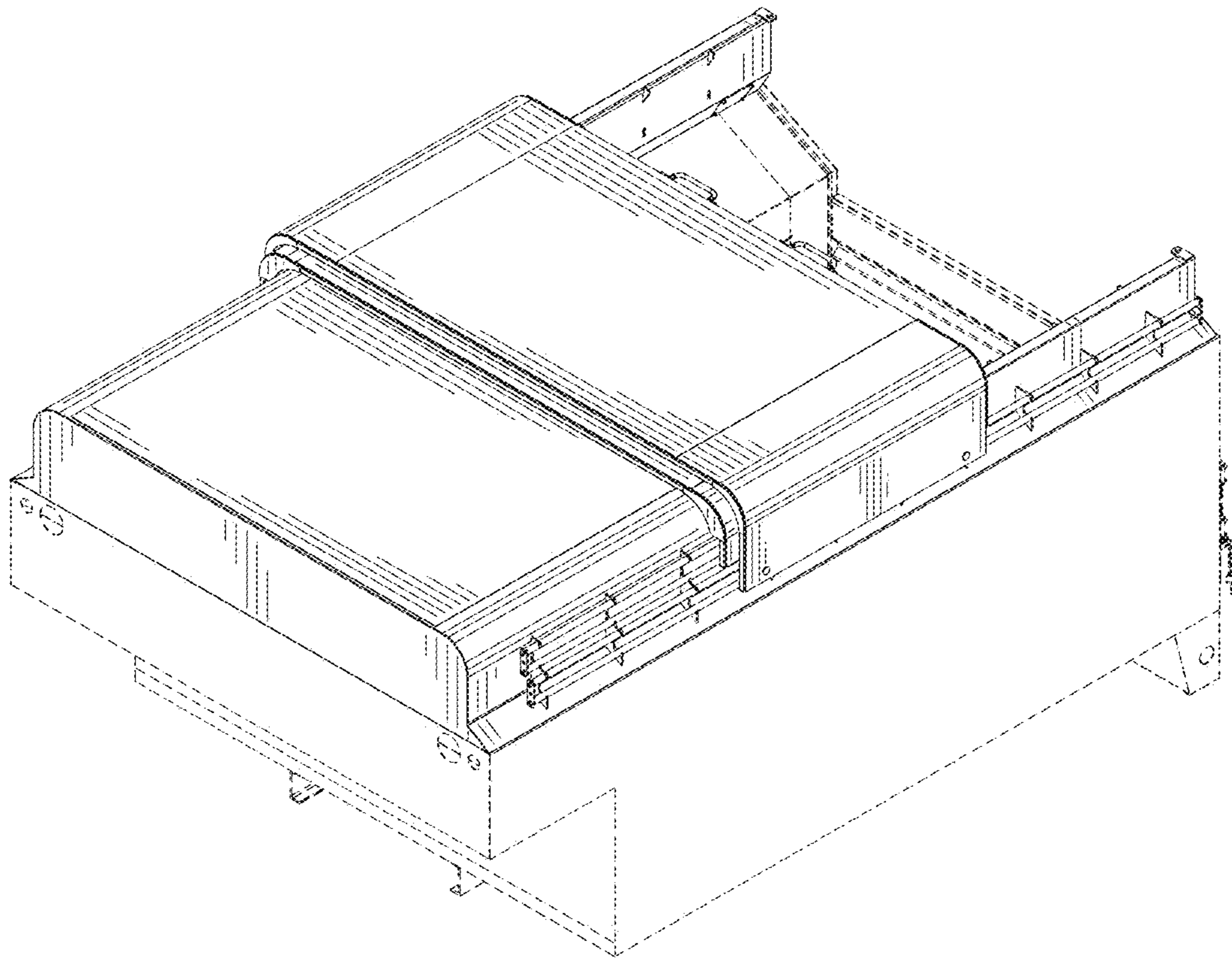


FIG. 8

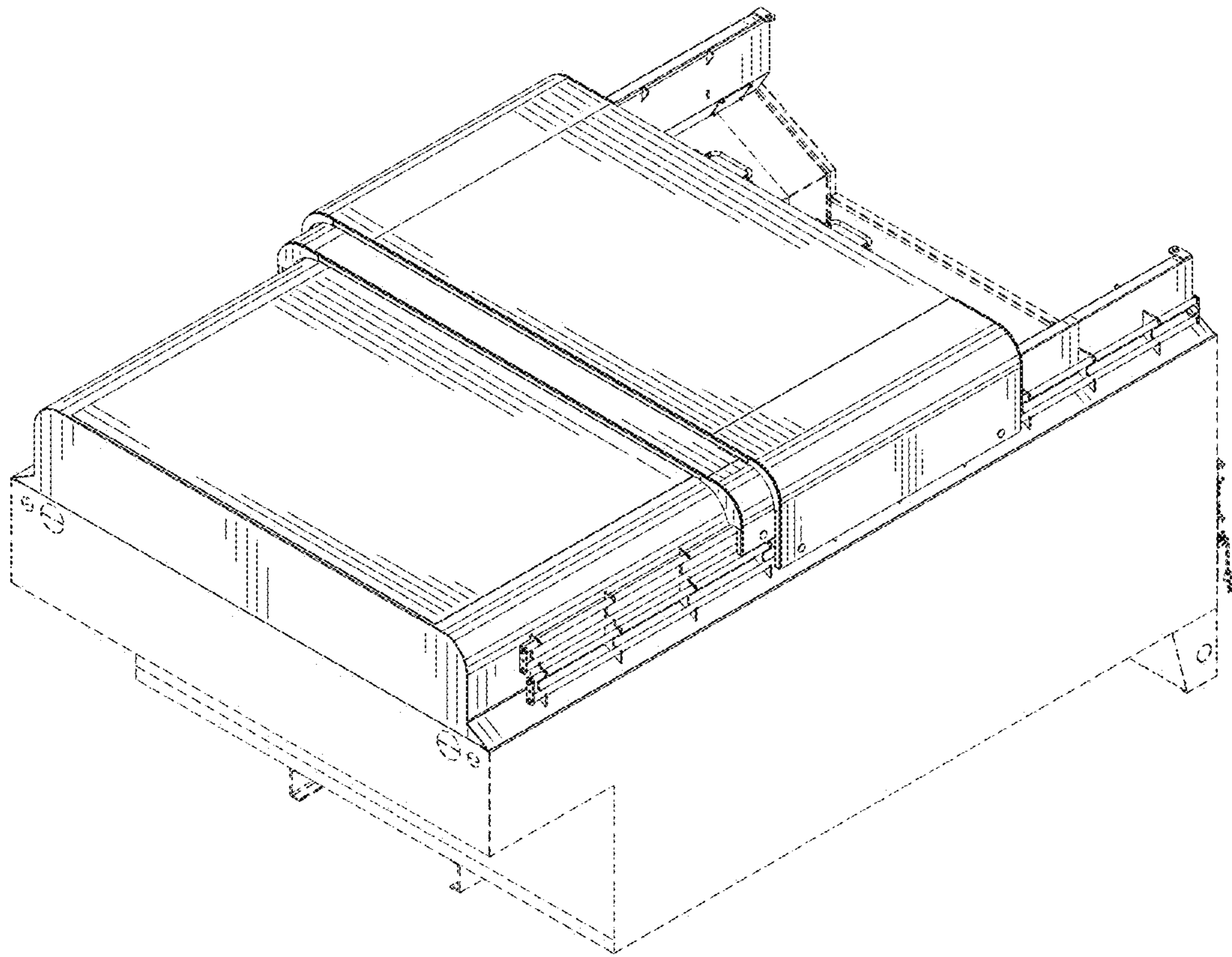


FIG. 9

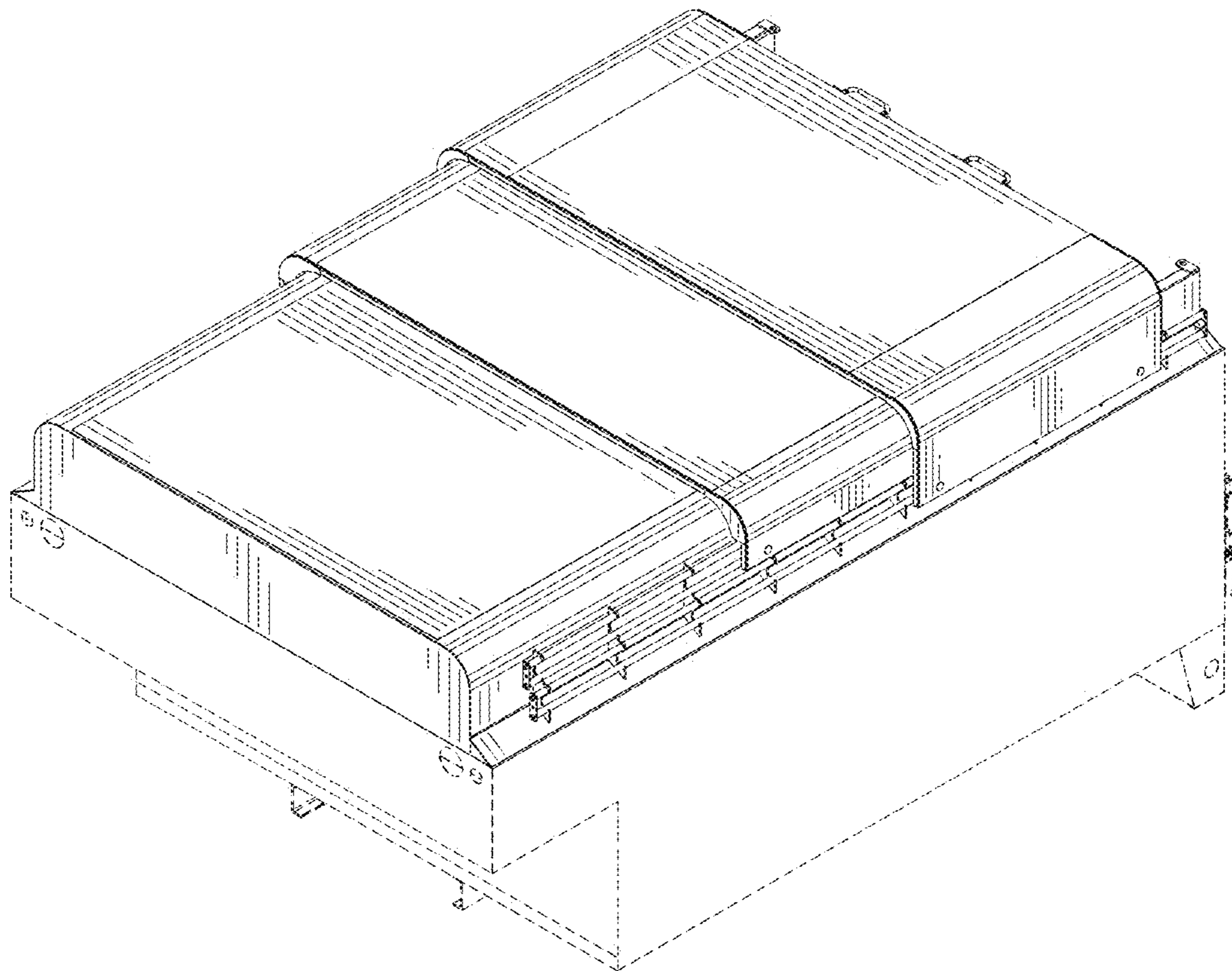


FIG. 10

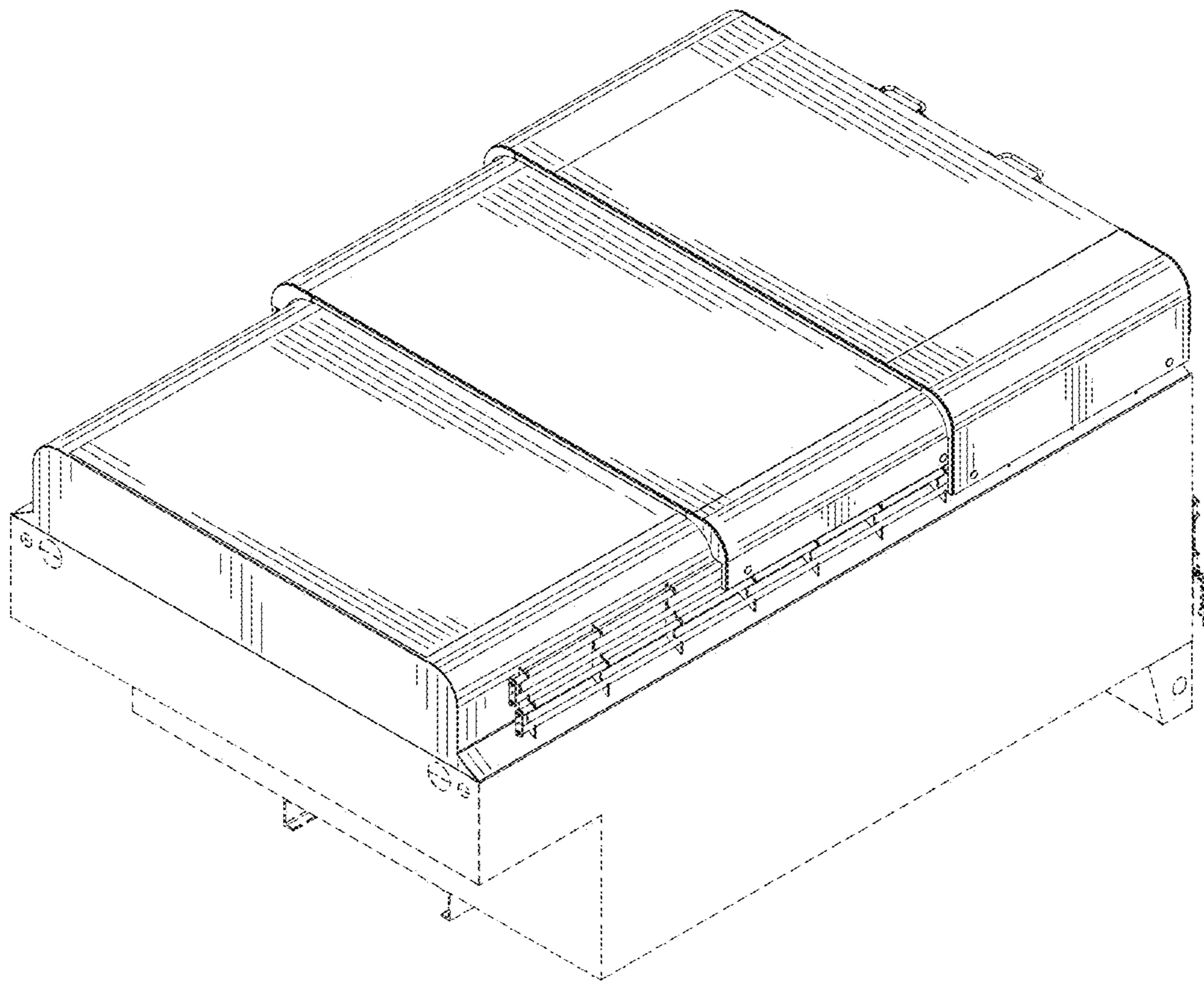


FIG. 11

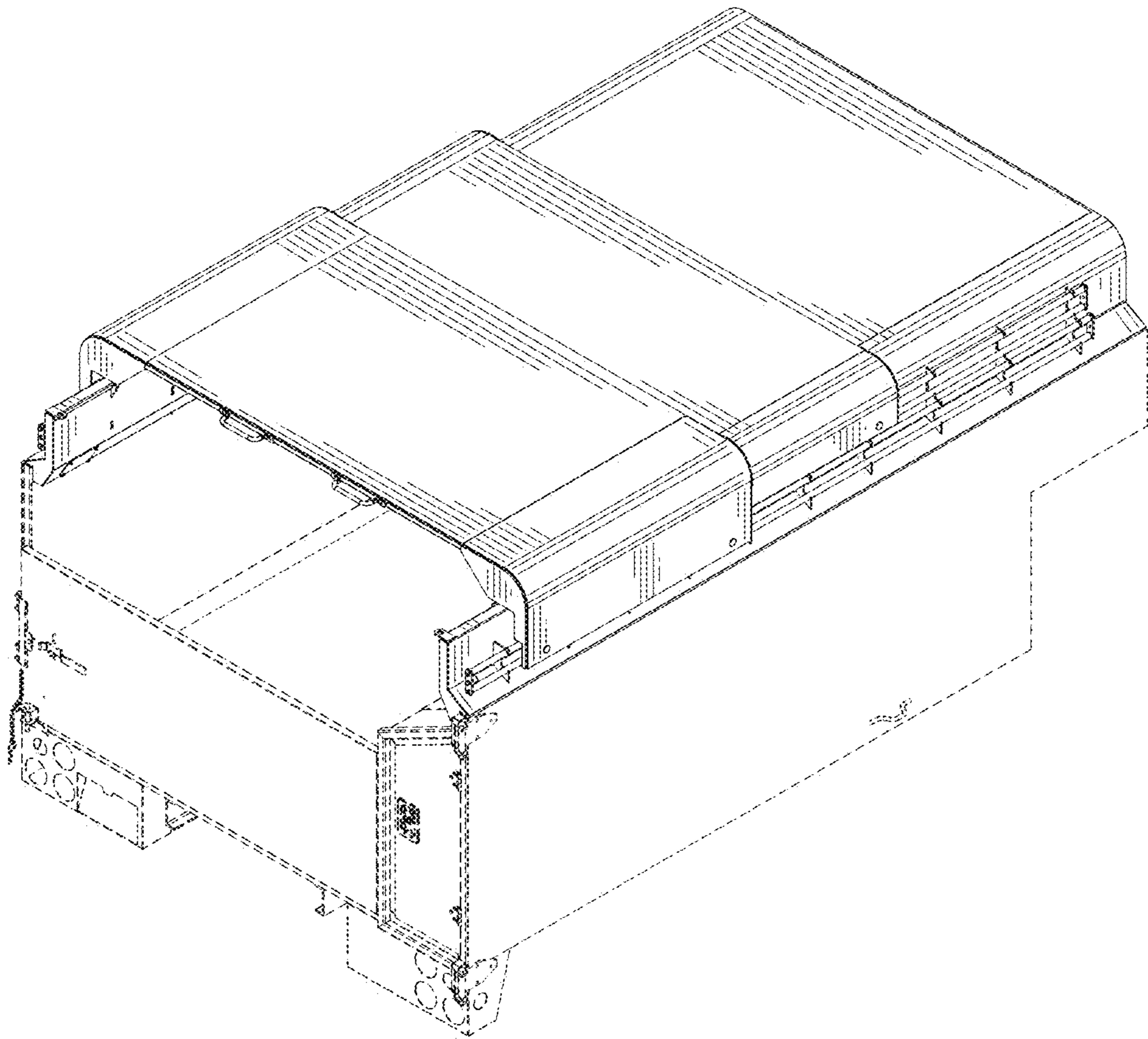


FIG. 12

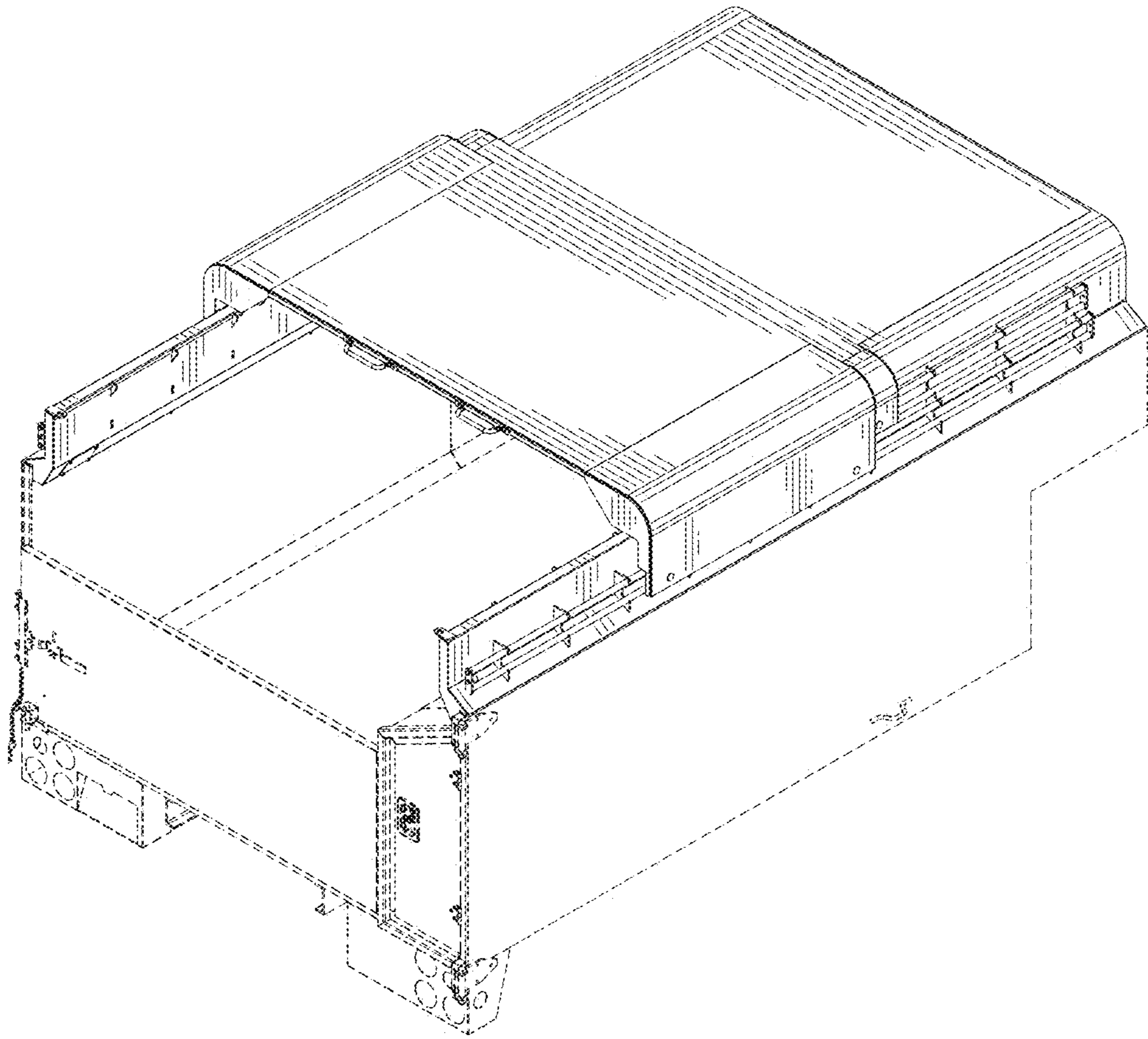


FIG. 13

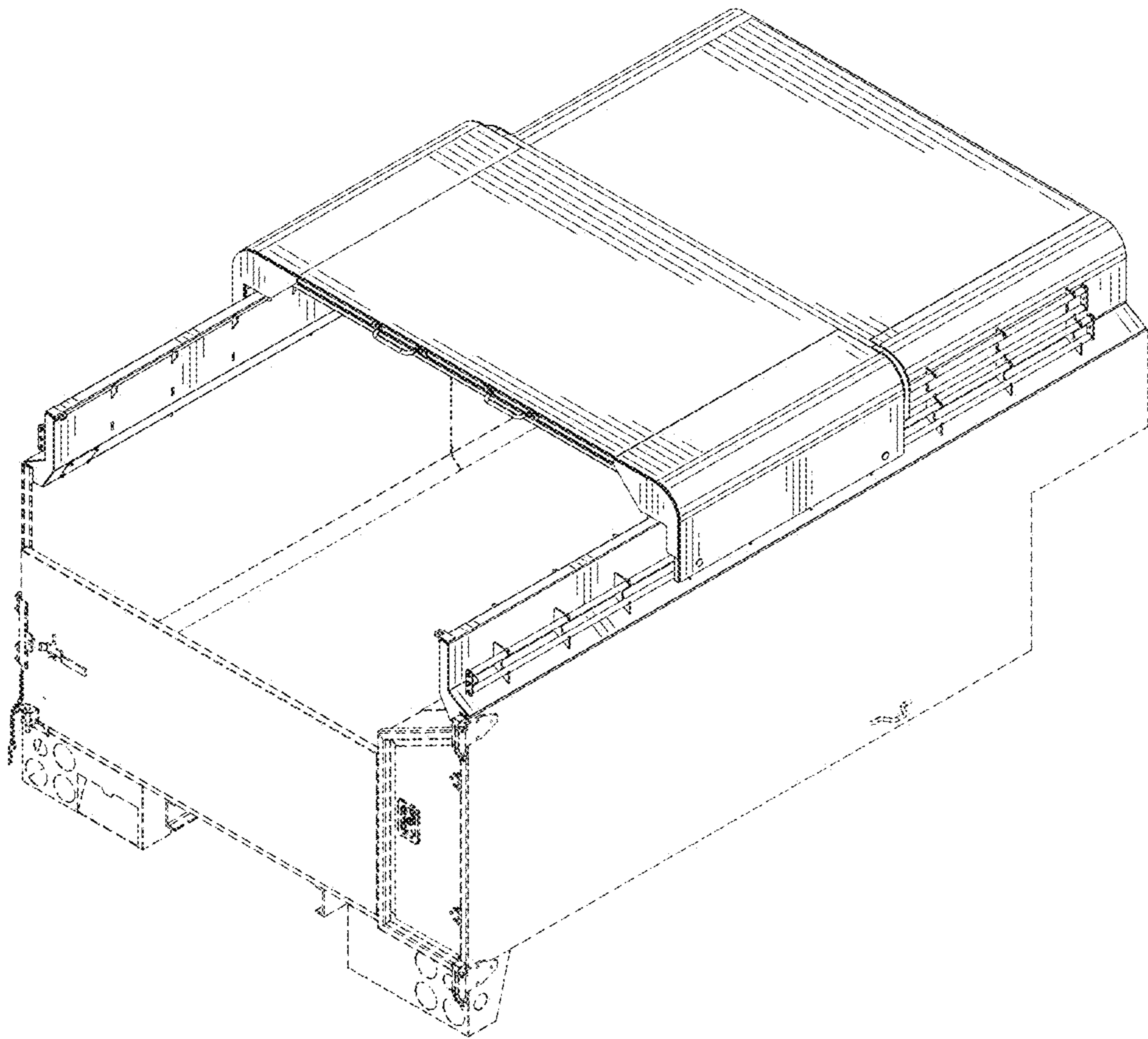


FIG. 14

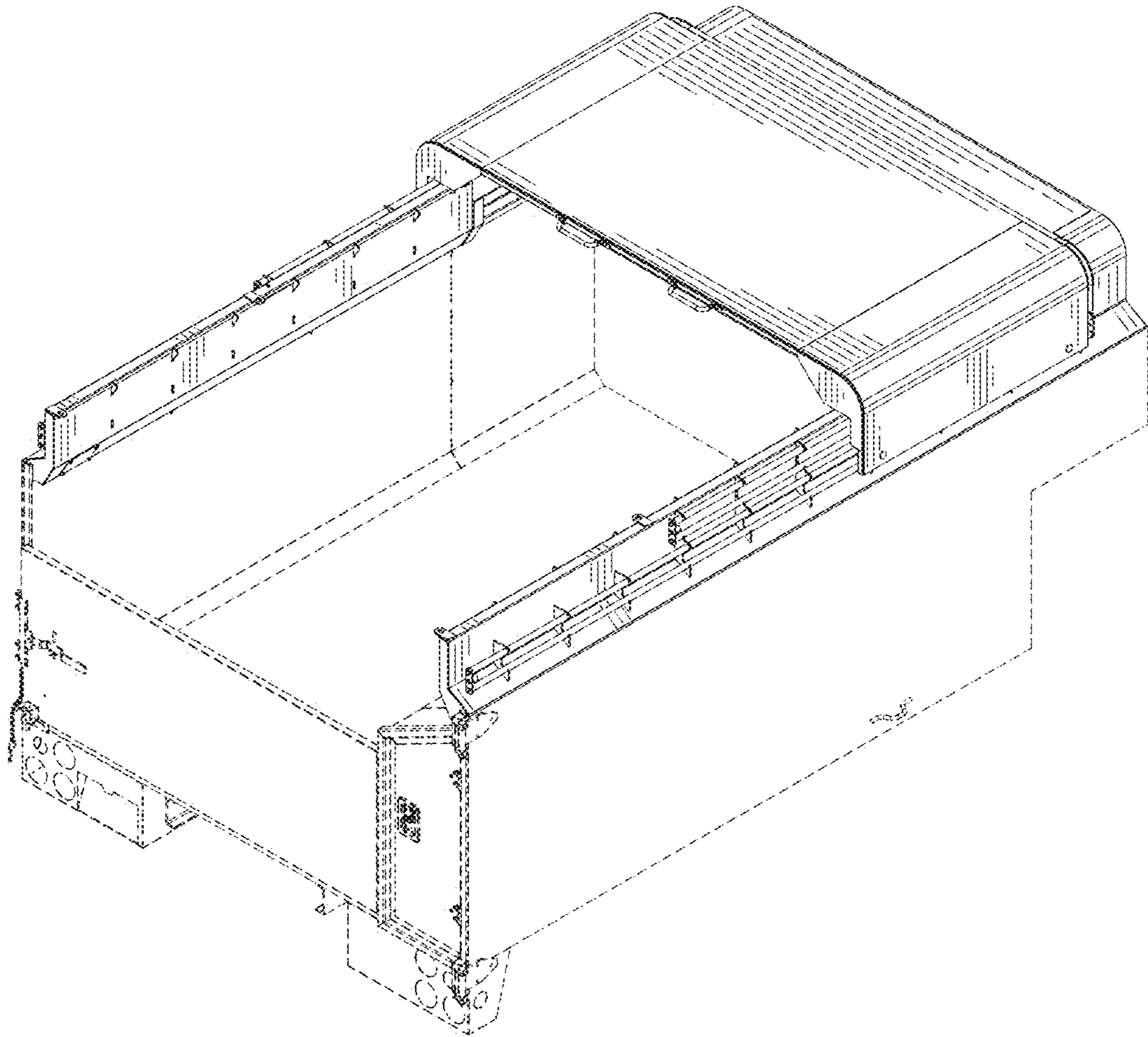


FIG. 15

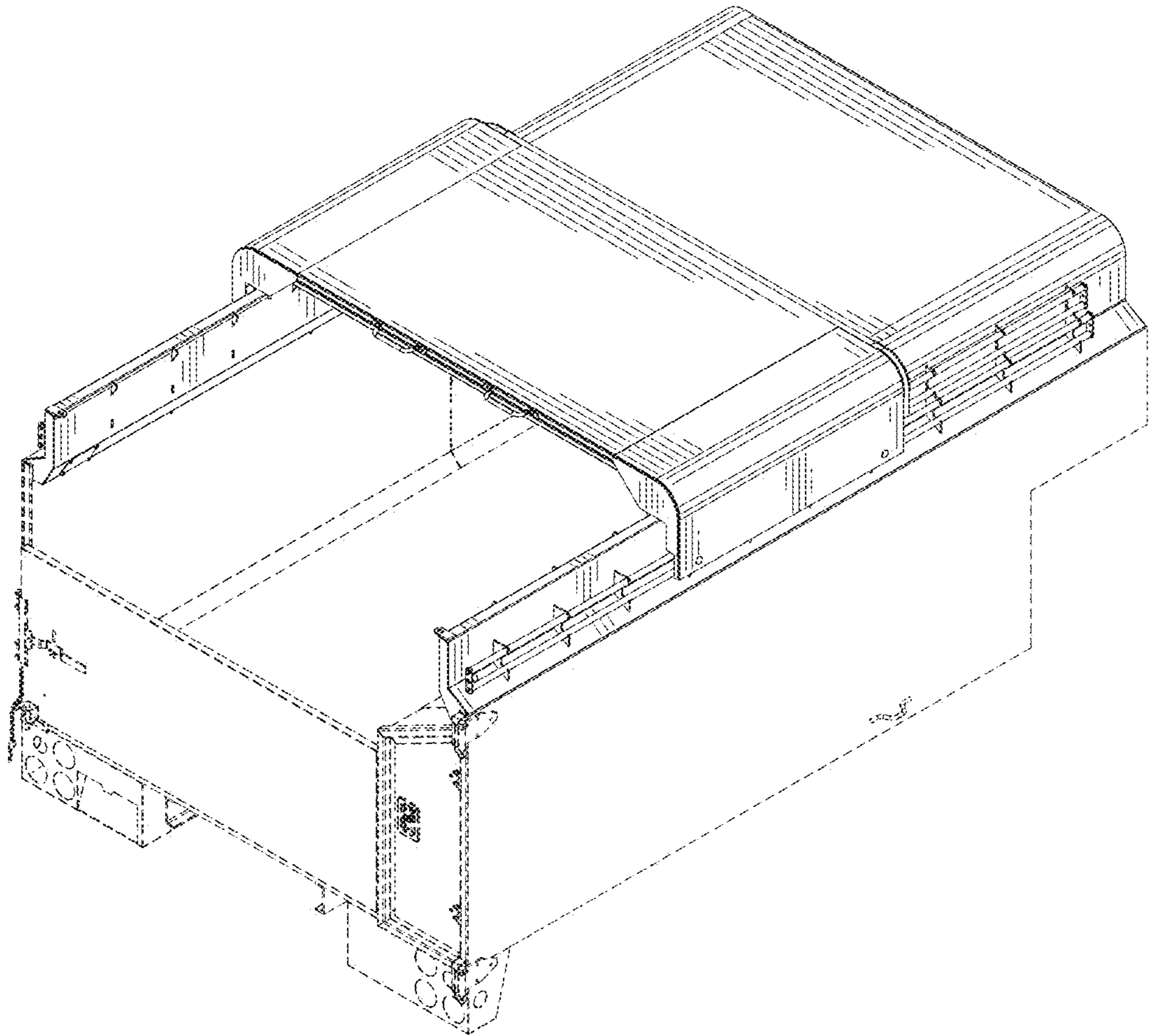


FIG. 16

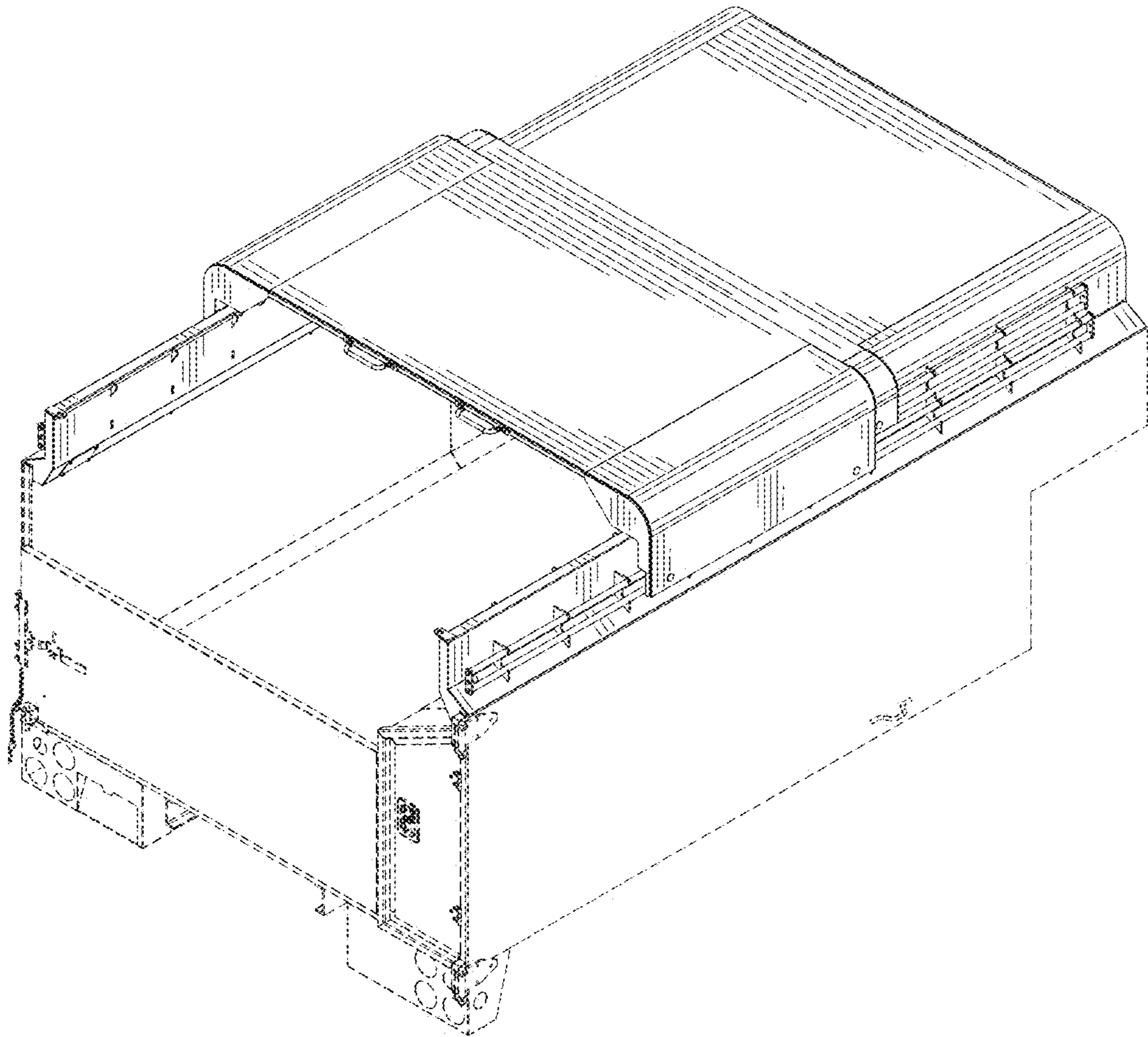


FIG. 17

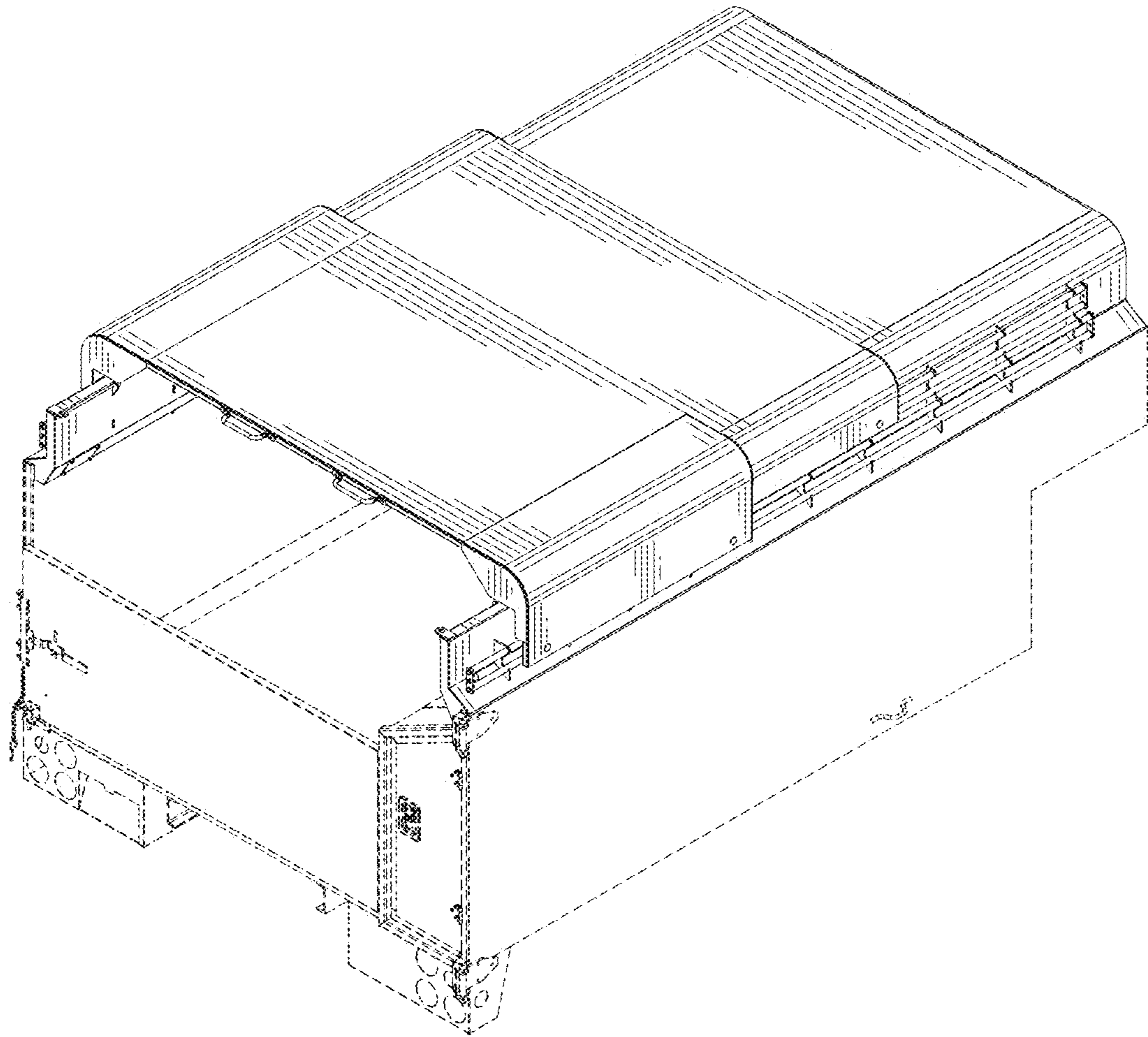


FIG. 18

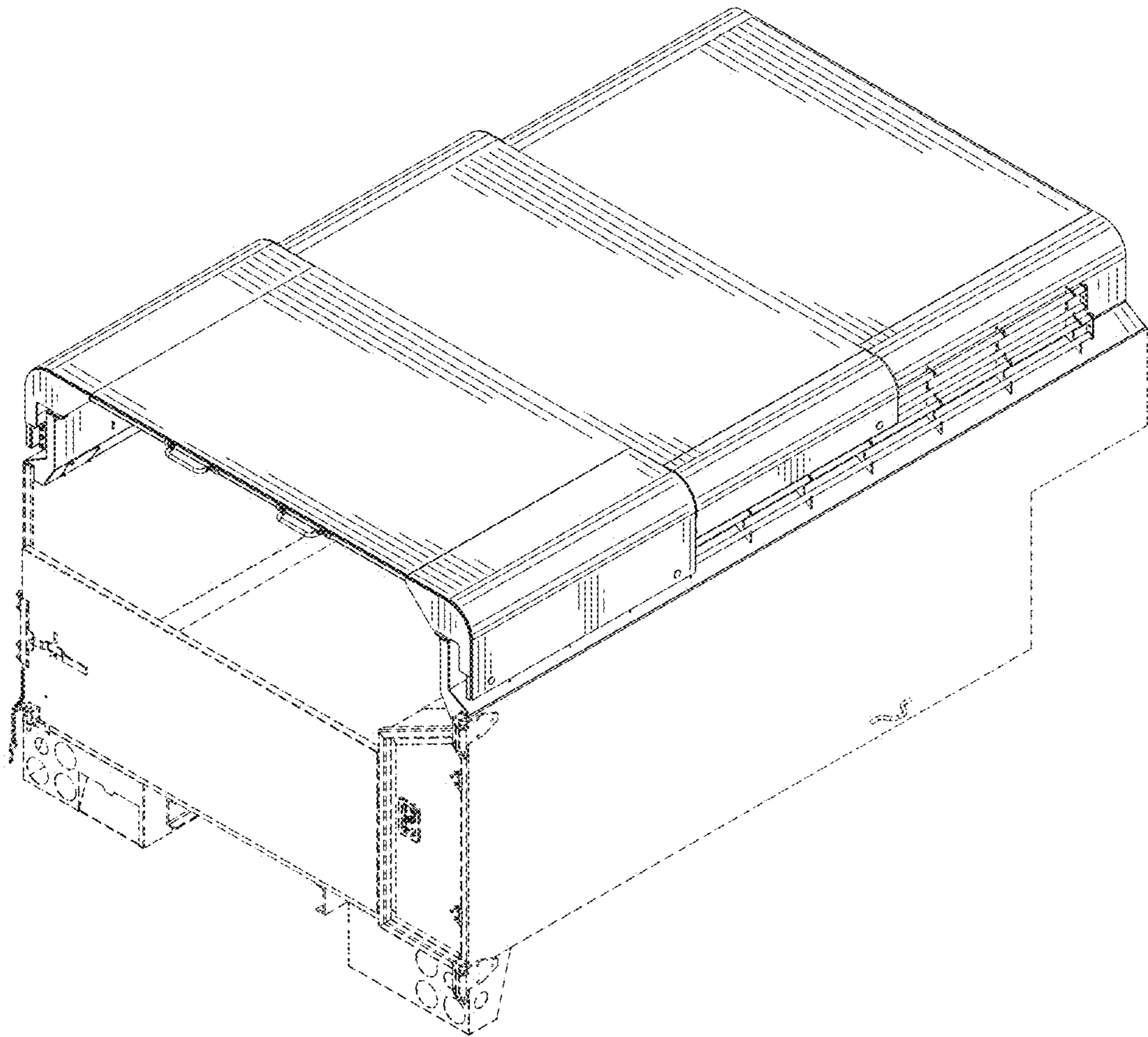


FIG. 19