



US00D914577S

(12) **United States Design Patent**  
**Fraudorfer**

(10) **Patent No.:** **US D914,577 S**  
(45) **Date of Patent:** **\*\* Mar. 30, 2021**

(54) **GYROPLANE**

(71) Applicant: **Christoph Fraudorfer**,  
Neuburg/Donau (DE)

(72) Inventor: **Christoph Fraudorfer**,  
Neuburg/Donau (DE)

(\*\*) Term: **15 Years**

(21) Appl. No.: **35/507,148**

(22) Filed: **Jan. 28, 2019**

(80) **Hague Agreement Data**

Int. Filing Date: **Jan. 28, 2019**  
Int. Reg. No.: **DM/201340**  
Int. Reg. Date: **Jan. 28, 2019**  
Int. Reg. Pub. Date: **Aug. 2, 2019**

(30) **Foreign Application Priority Data**

Jul. 30, 2018 (EM) ..... 005518610

(51) **LOC (13) Cl.** ..... **12-07**

(52) **U.S. Cl.**  
USPC ..... **D12/319**

(58) **Field of Classification Search**  
USPC ..... D12/16.1, 319-345; D21/102  
CPC ..... B64C 1/062; B64C 23/00; B64C 27/08;  
B64C 29/00; B64C 39/00; B64C 39/024;  
A63H 17/36  
See application file for complete search history.

(56) **References Cited**

**U.S. PATENT DOCUMENTS**

D156,694 S \* 1/1950 Boyajian et al. .... D12/324  
D271,294 S \* 11/1983 Hauk ..... D12/344  
D495,376 S \* 8/2004 Zee ..... D21/450

D582,832 S \* 12/2008 Dornier ..... D12/337  
D621,774 S \* 8/2010 Betsch ..... D12/344  
D629,737 S \* 12/2010 Betsch ..... D12/319  
D642,968 S \* 8/2011 Zhao ..... D12/344  
D649,506 S \* 11/2011 Morelli ..... D12/319  
D729,694 S \* 5/2015 Earon ..... D12/16.1  
D778,803 S \* 2/2017 Faure ..... D12/319  
D784,903 S \* 4/2017 Adams ..... D12/343

\* cited by examiner

*Primary Examiner* — Darlington Ly

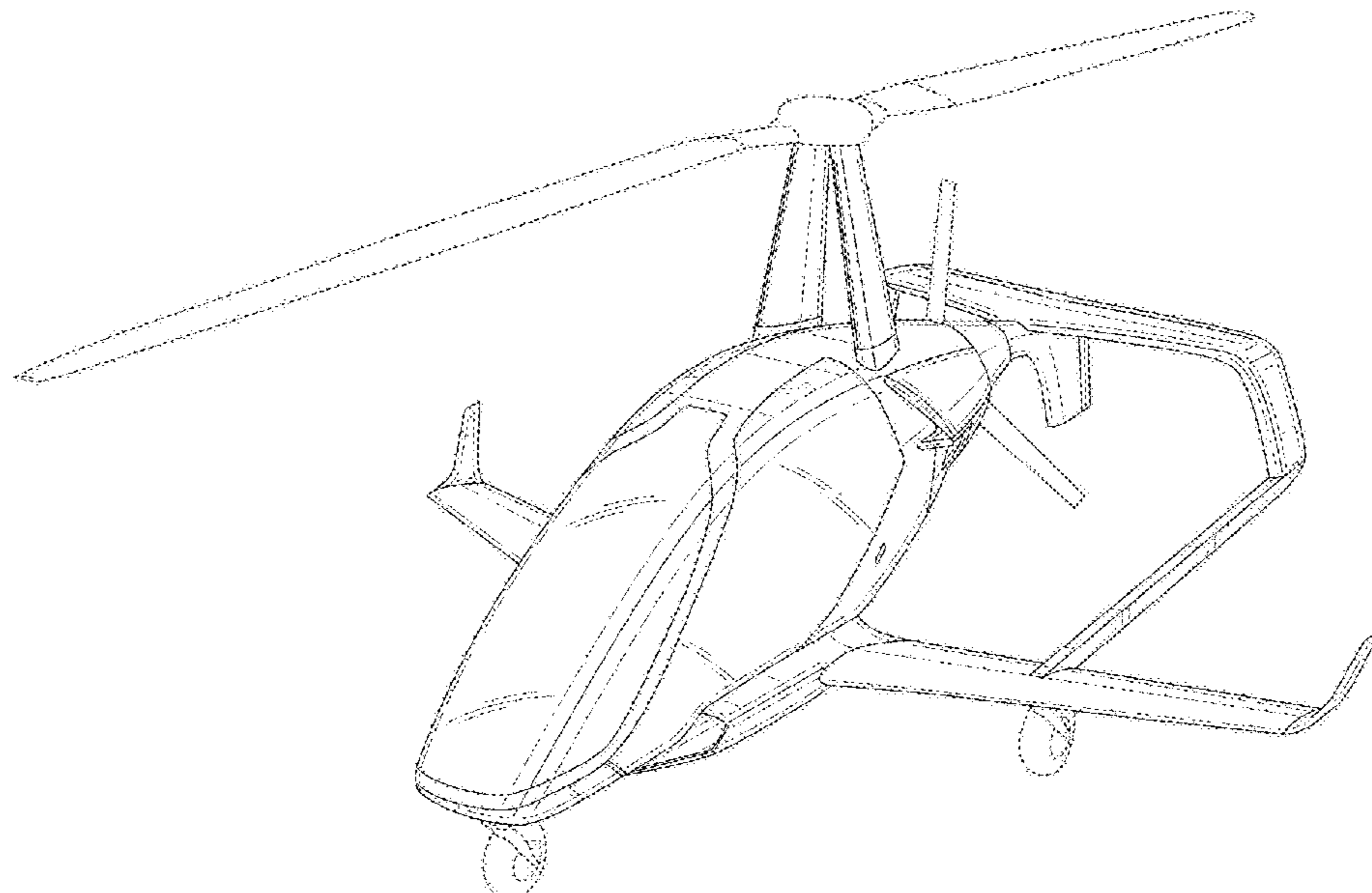
(57) **CLAIM**

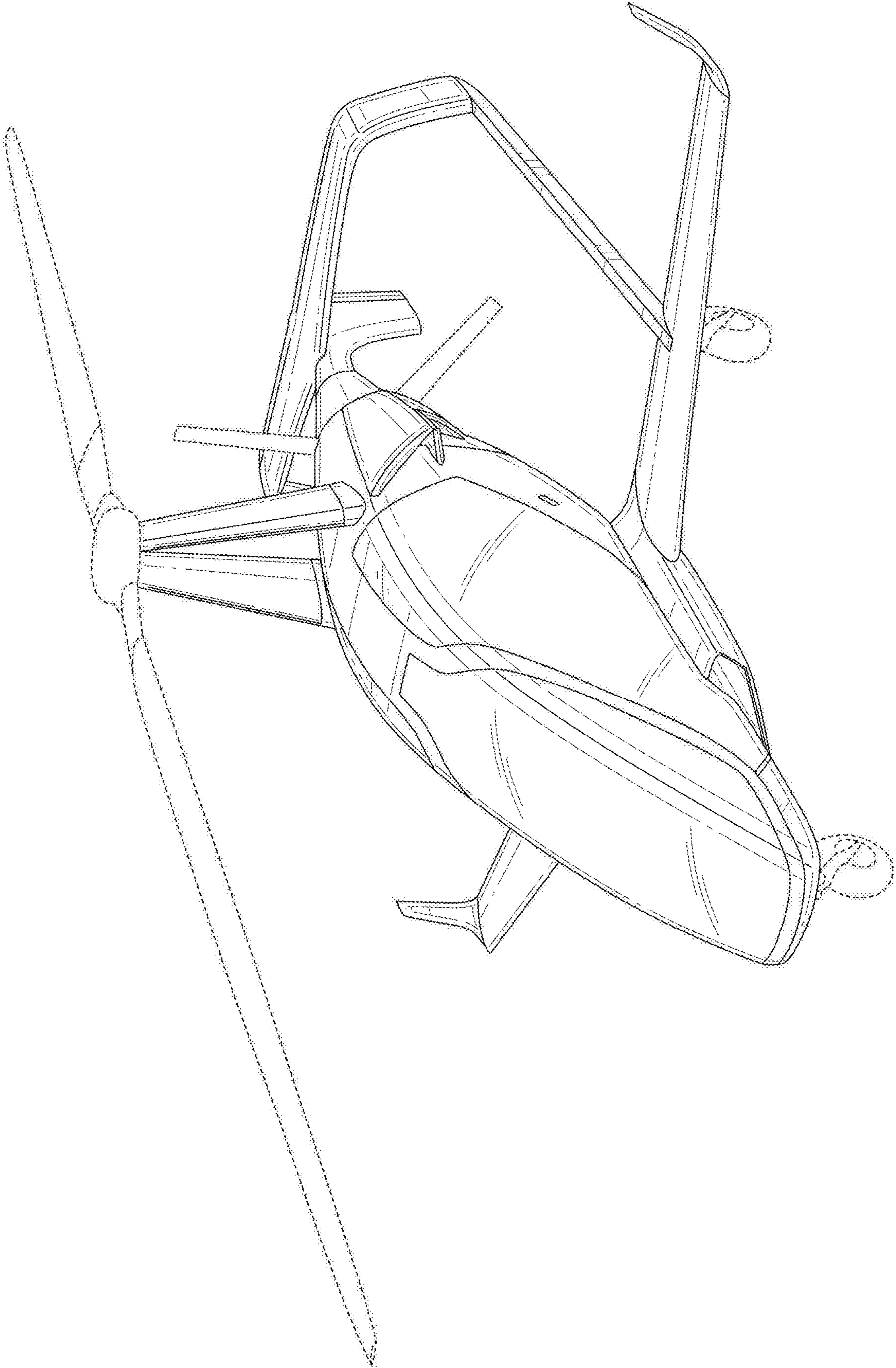
The ornamental design for a gyroplane, as shown and described.

**DESCRIPTION**

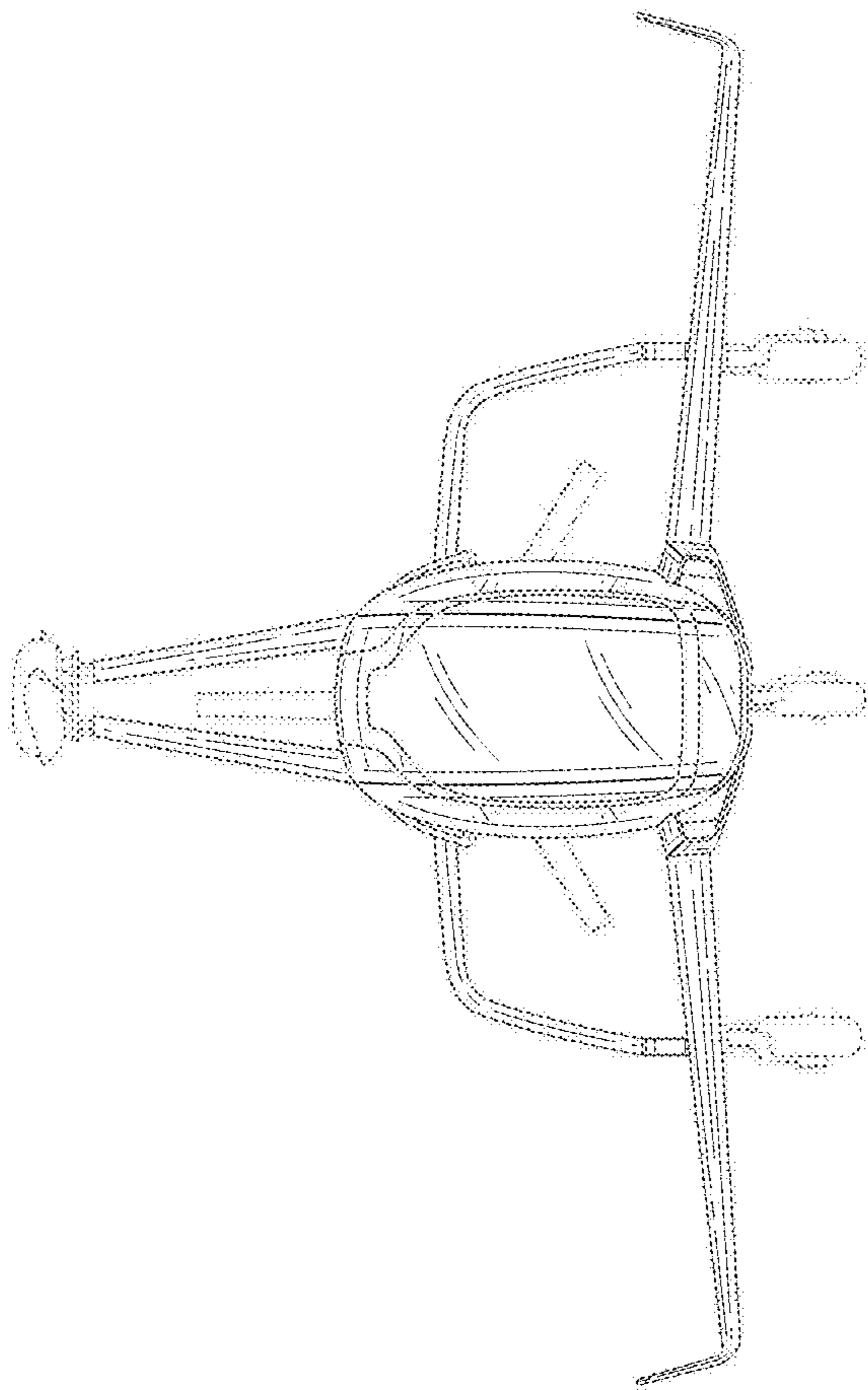
1. Gyroplane  
1.1 is a top, front, and left side perspective view of a gyroplane embodying my new design;  
1.2 is a front elevation view thereof;  
1.3 is a rear elevation view thereof;  
1.4 is a top plan view thereof;  
1.5 is a bottom plan view thereof;  
1.6 is a left side elevation view thereof; and  
1.7 is a right side elevation view thereof.  
3.1 is a top, front, and left side perspective view of a gyroplane embodying my new design in accordance with an alternate embodiment;  
3.2 is a front elevation view thereof;  
3.3 is a rear elevation view thereof;  
3.4 is a top plan view thereof;  
3.5 is a bottom plan view thereof;  
3.6 is a left side elevation view thereof; and  
3.7 is a right side elevation view thereof.  
The broken lines in the reproductions illustrate portions of the gyroplane that form no part of the claimed design.

**1 Claim, 14 Drawing Sheets**

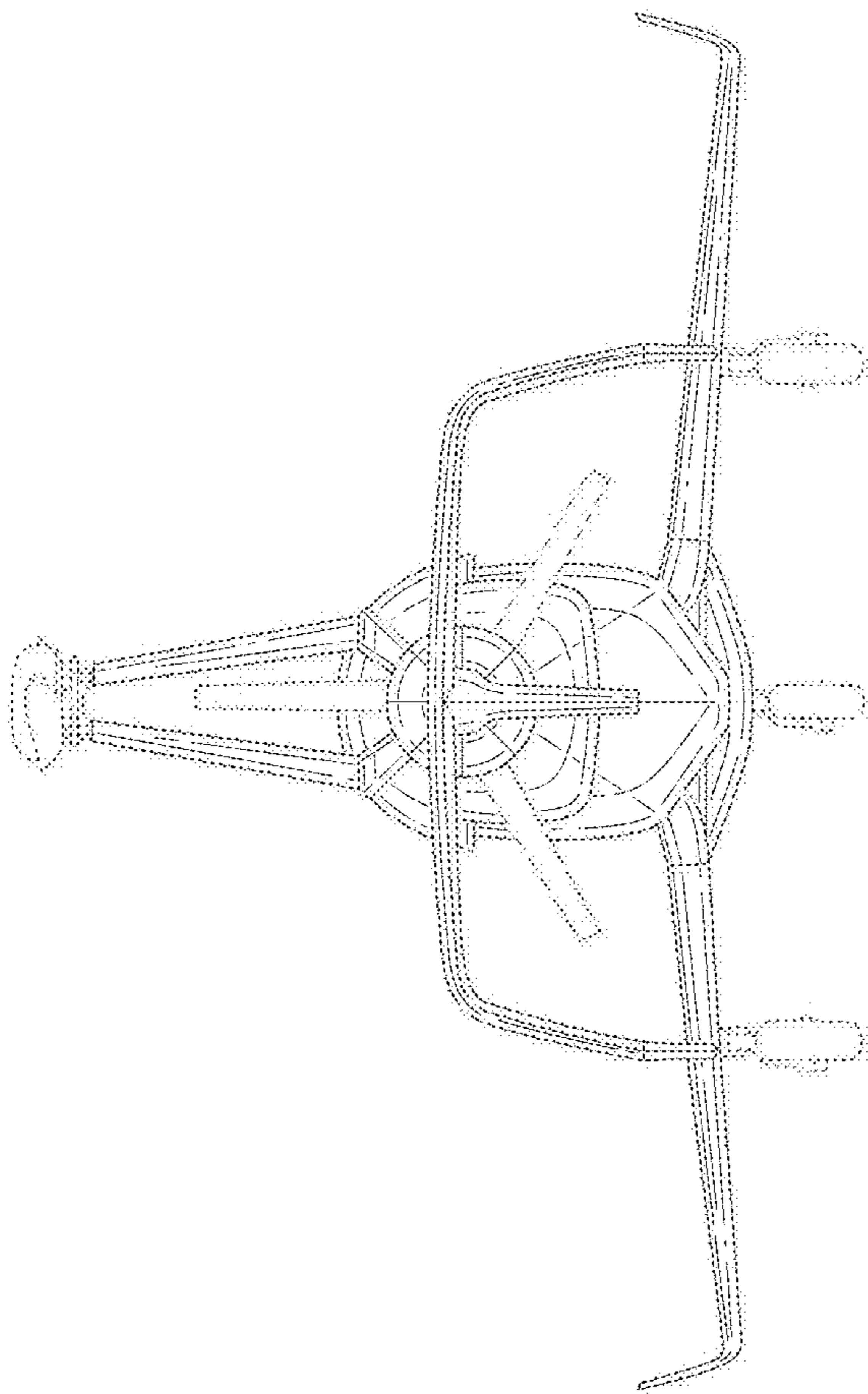




1.1

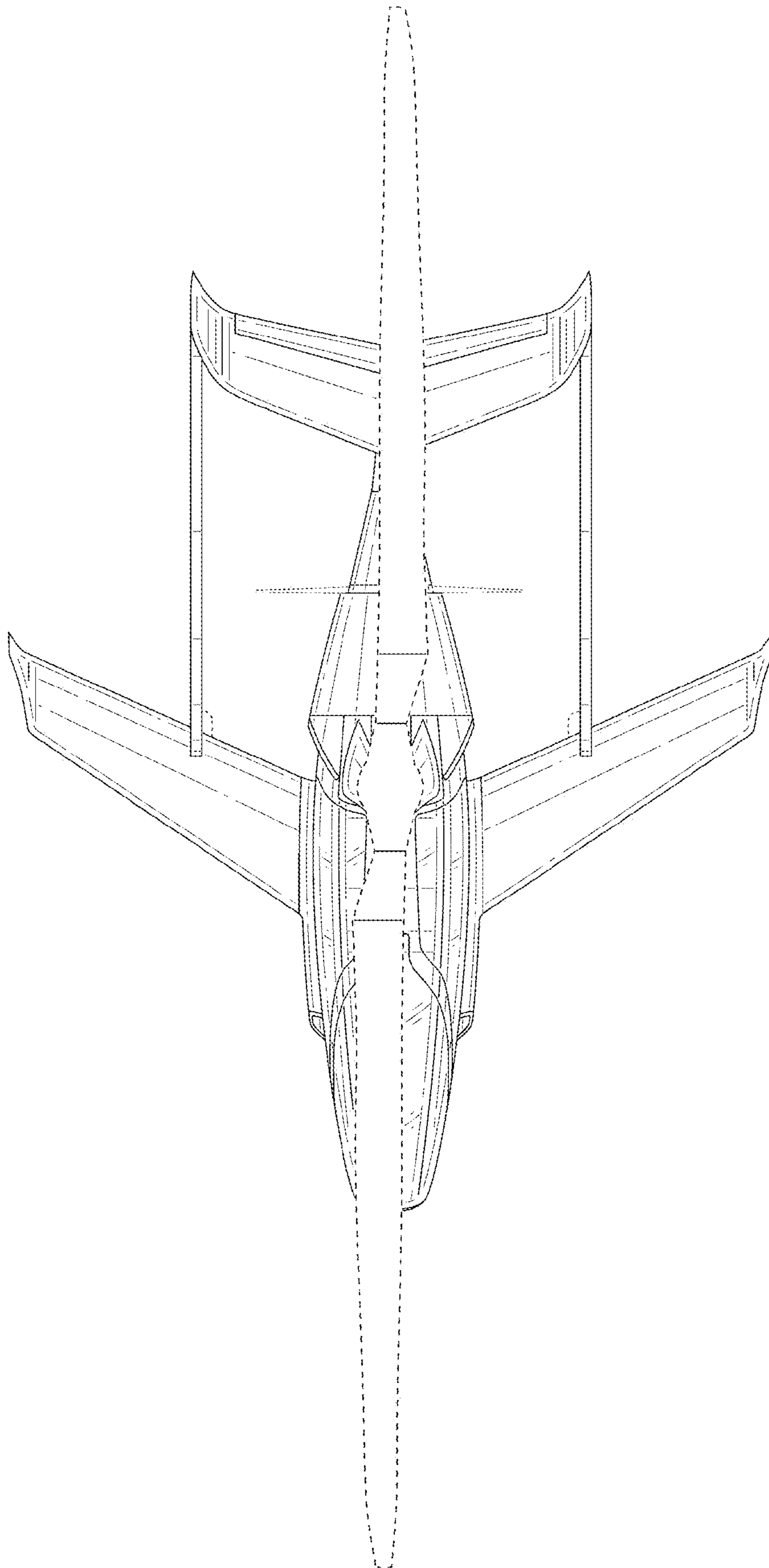


**1.2**

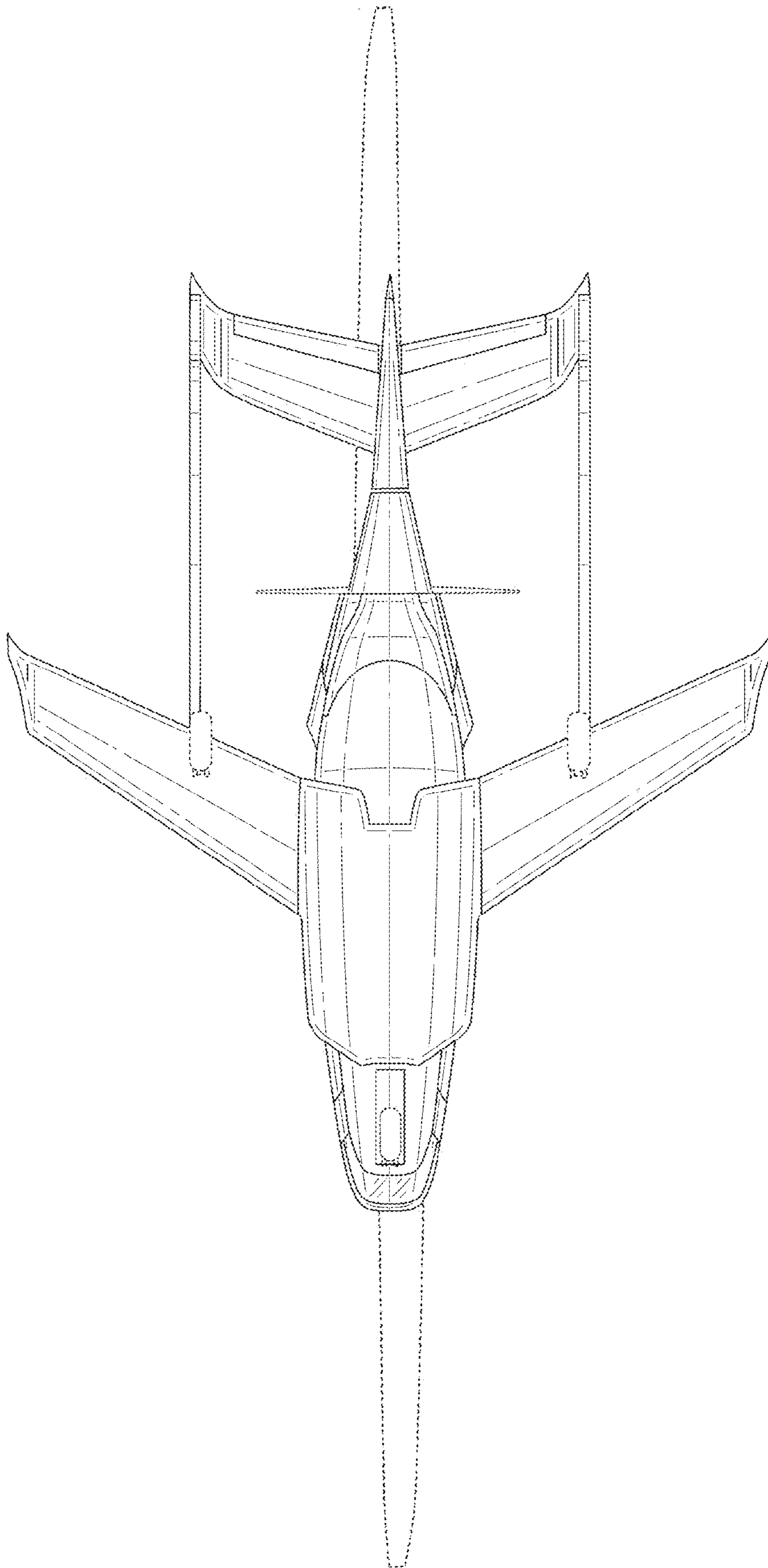


1.3

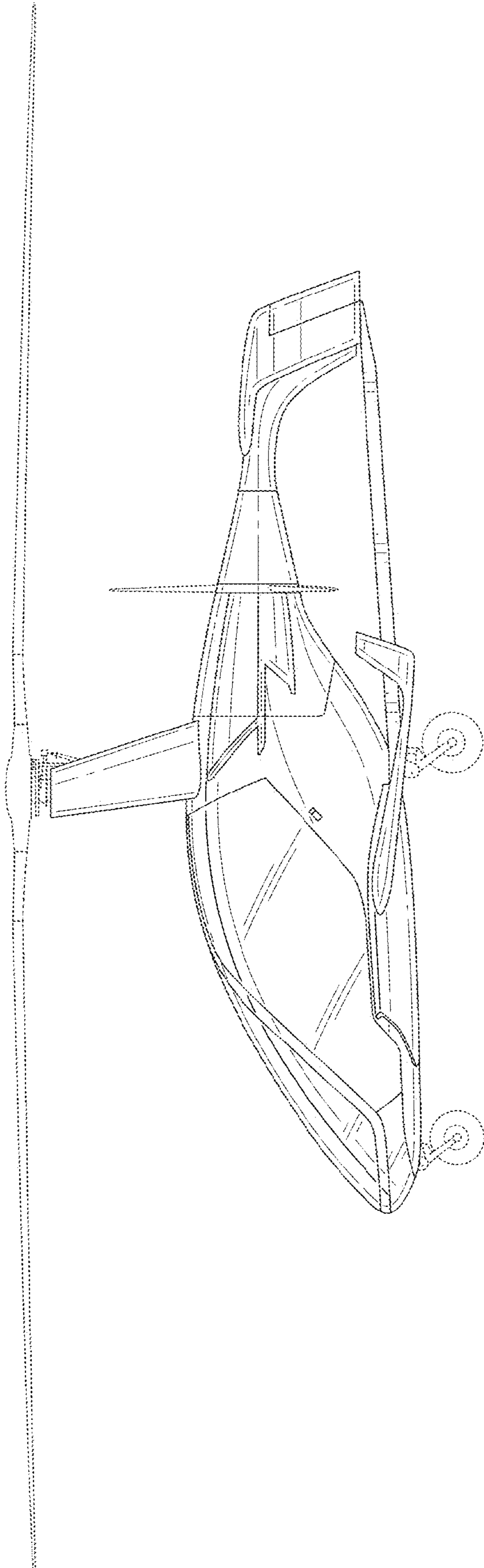




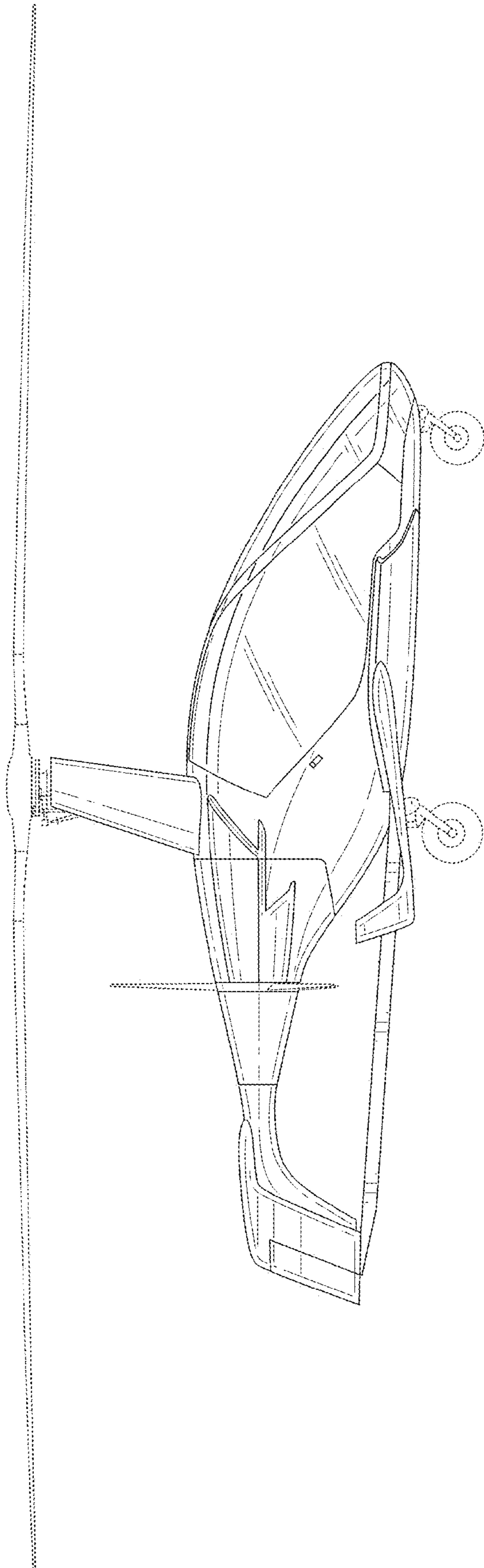
1.4



1.5

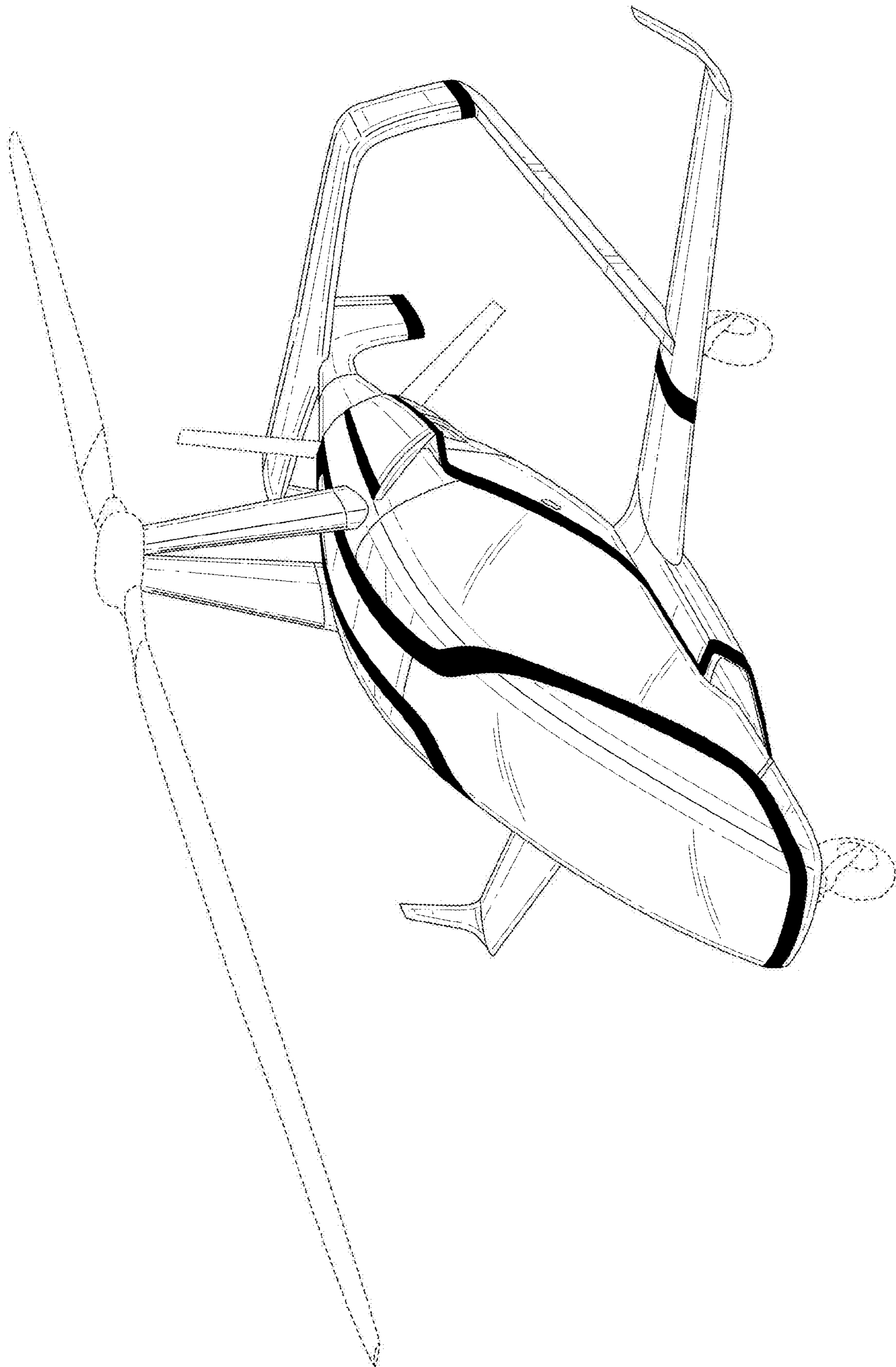


1.6

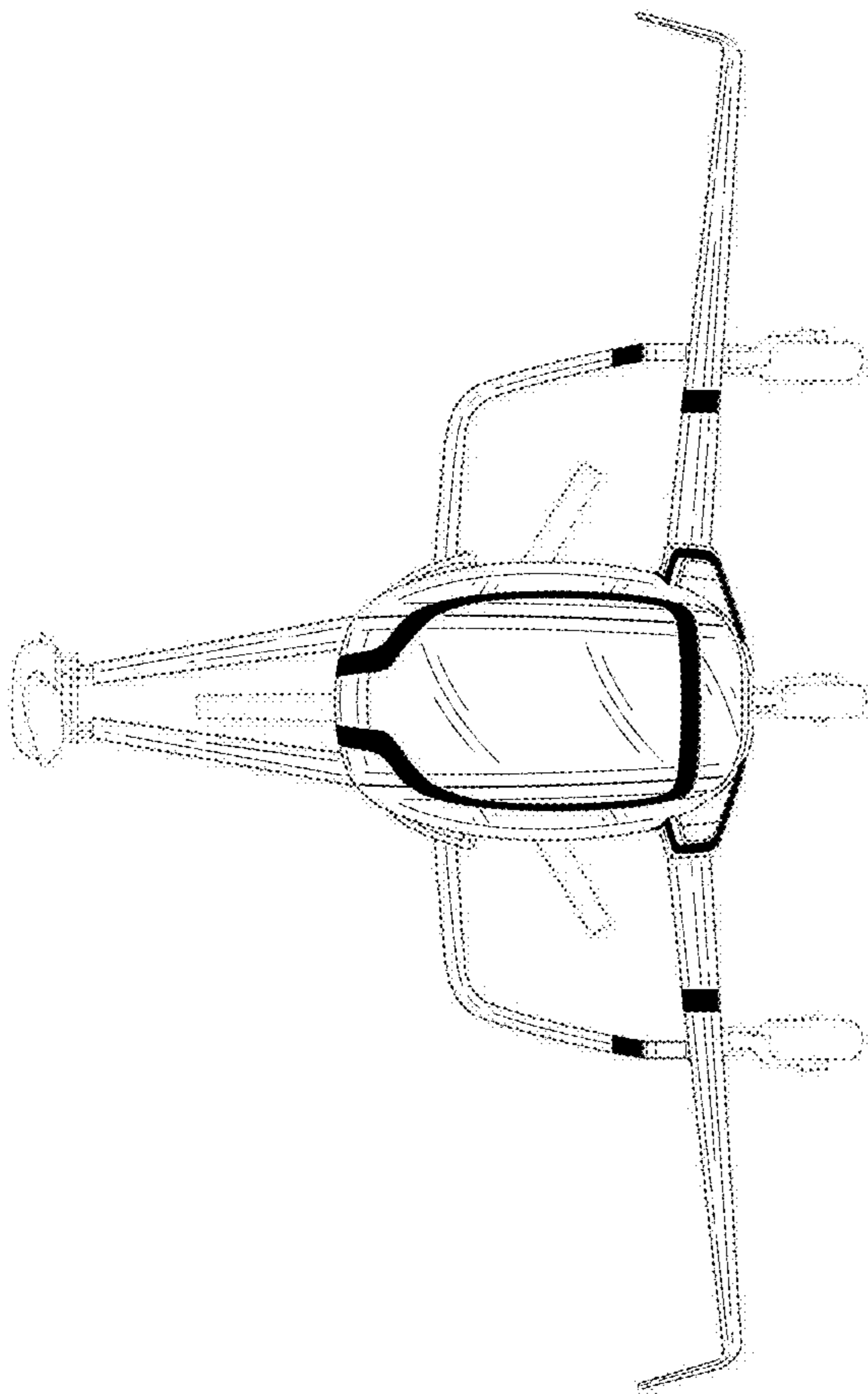


1.7

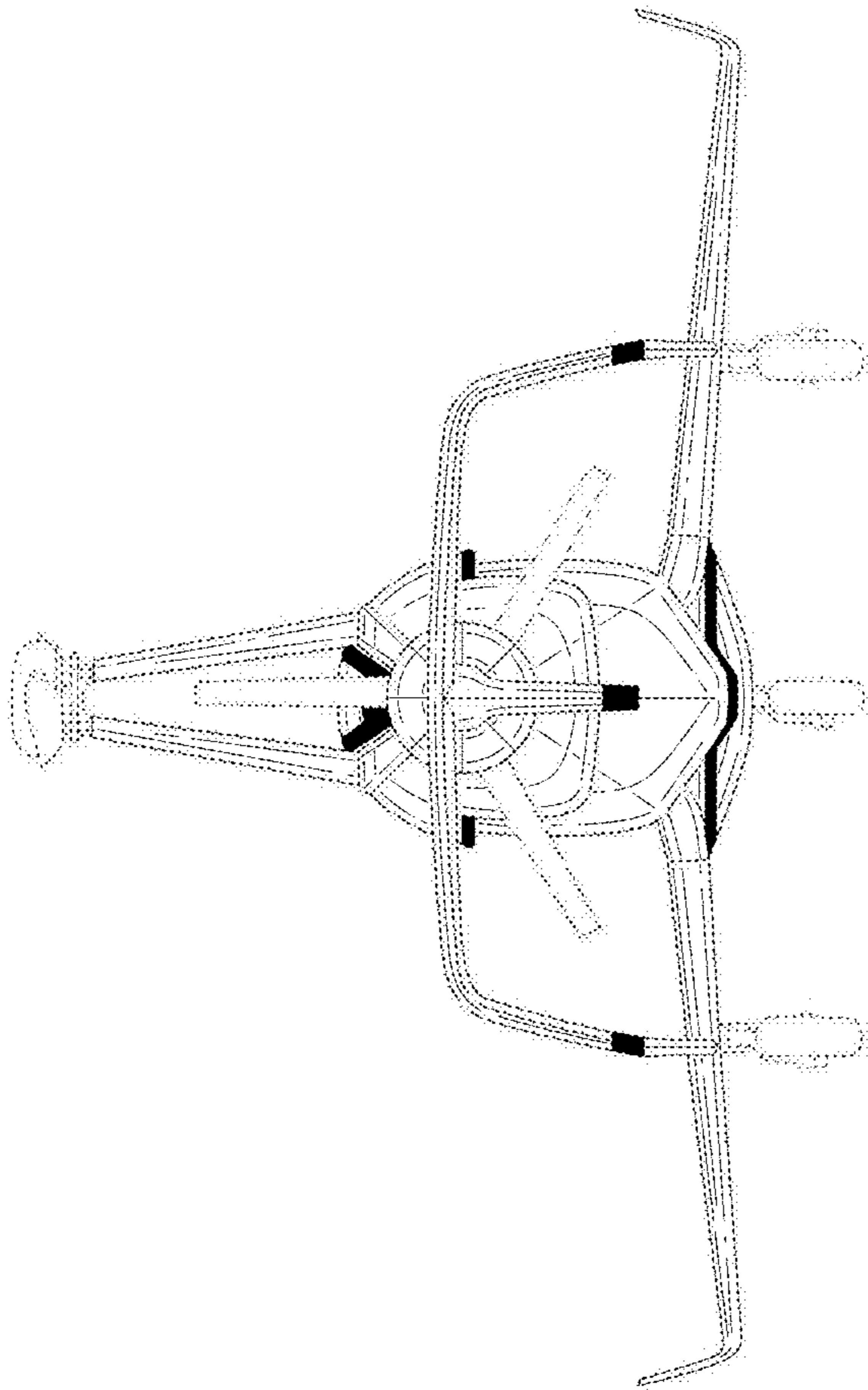




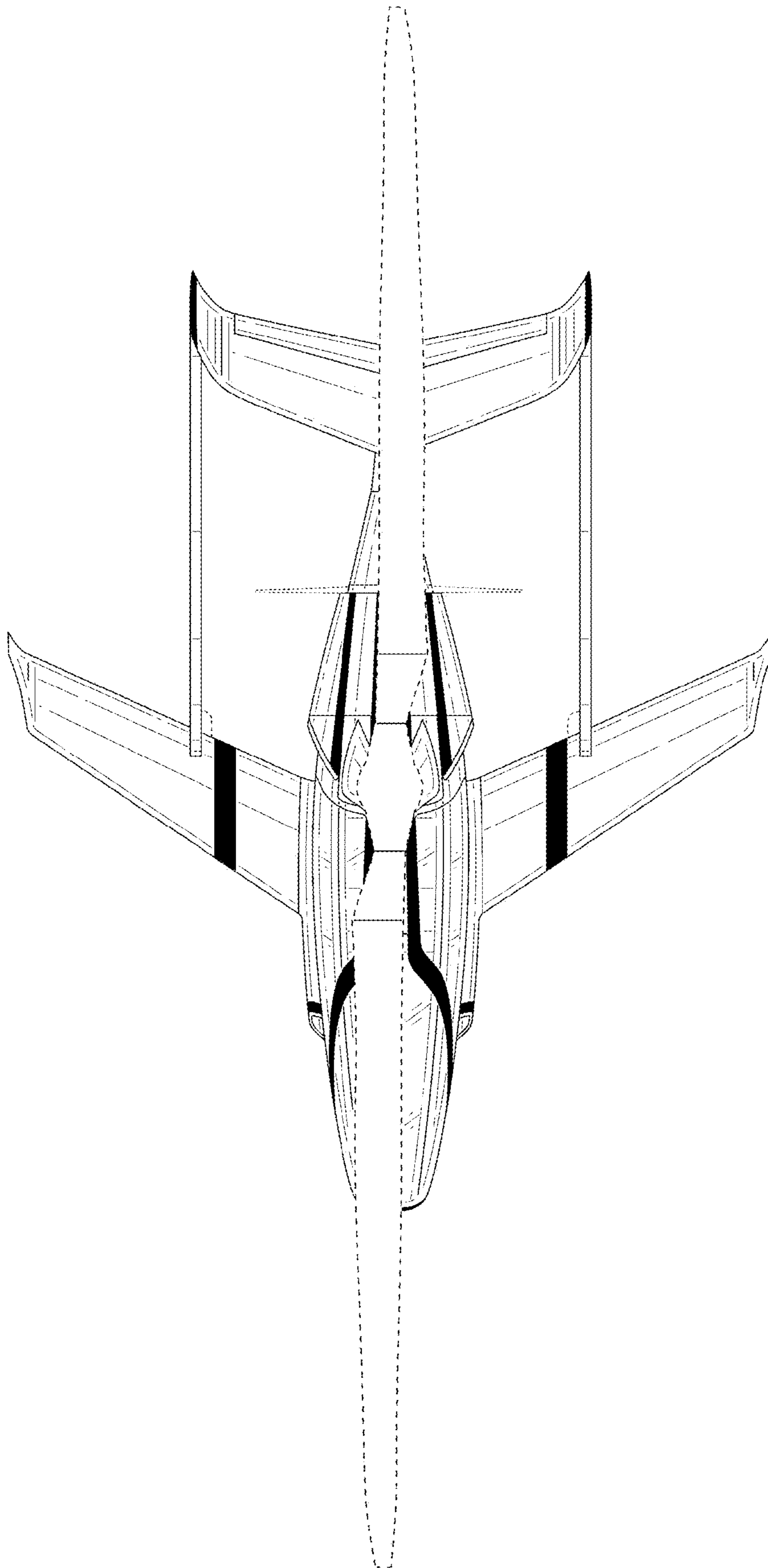
3.1



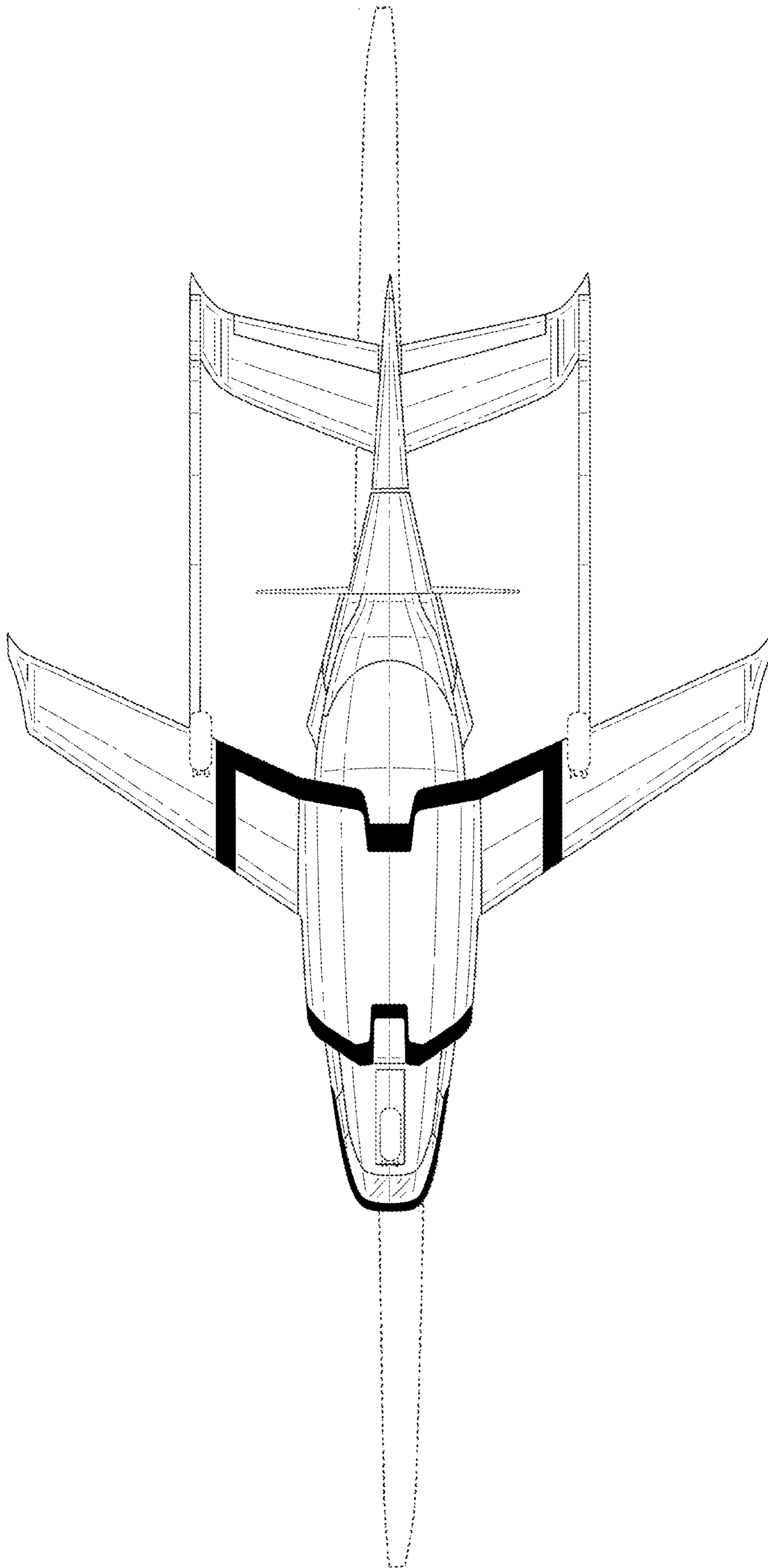
3.2



3.3

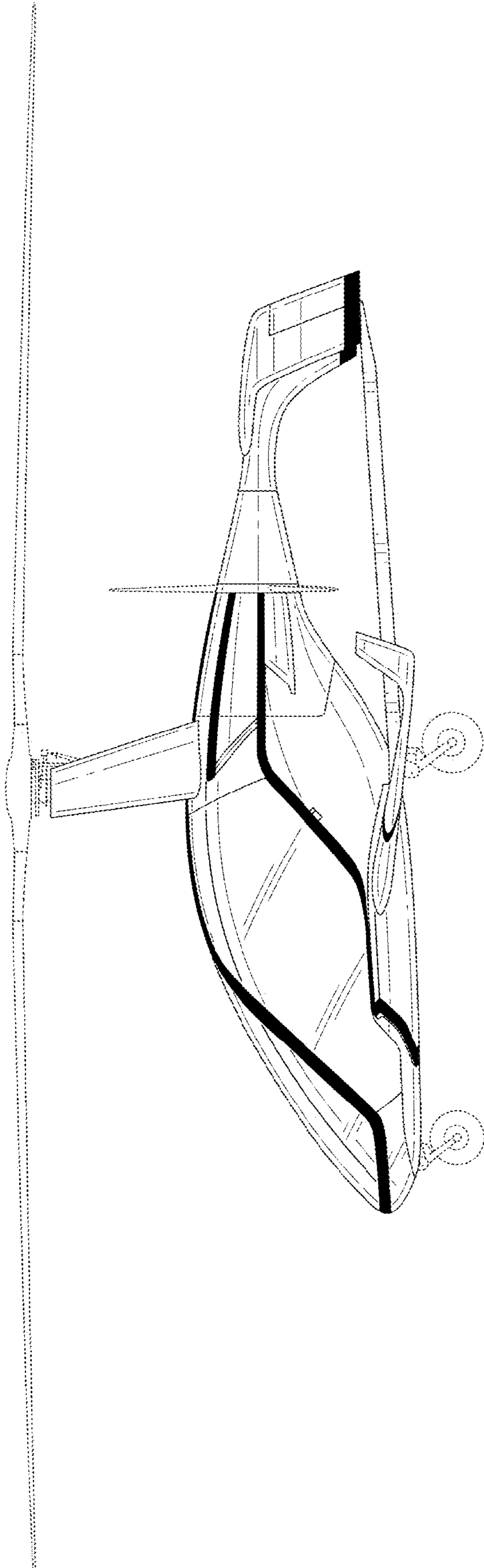


3.4

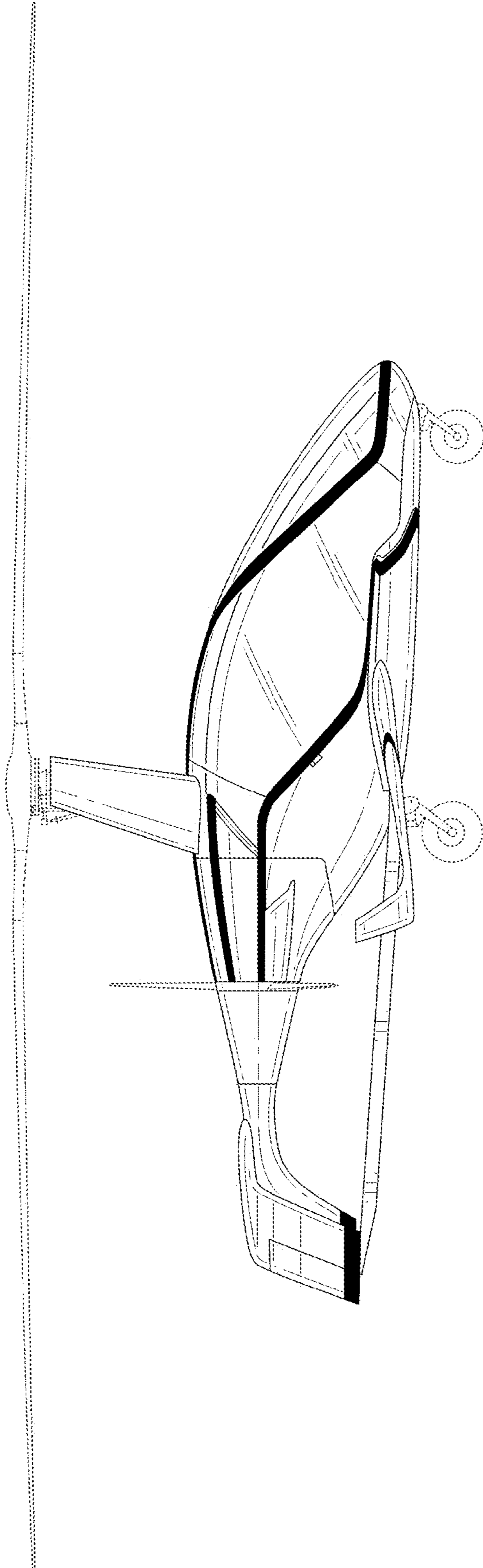


3.5





3.6



3.7