



US00D914576S

(12) **United States Design Patent**
VanRyn

(10) **Patent No.:** **US D914,576 S**

(45) **Date of Patent:** **** Mar. 30, 2021**

(54) **WHEEL**

(71) Applicant: **Wheel Pros, LLC**, Greenwood Village, CO (US)

(72) Inventor: **Tom VanRyn**, Buena Park, CA (US)

(**) Term: **15 Years**

(21) Appl. No.: **29/731,507**

(22) Filed: **Apr. 15, 2020**

(51) **LOC (13) Cl.** **12-16**

(52) **U.S. Cl.**
USPC **D12/211**

(58) **Field of Classification Search**

USPC D12/204–213; D21/563
CPC B60B 7/00; B60B 7/02; B60B 7/04; B60B 7/01; B60B 7/06; B60B 3/02; B60B 3/04; B60B 3/06; B60B 3/10; B60B 1/00; B60B 1/08; B60B 1/10; B60B 1/12
See application file for complete search history.

(56) **References Cited**

U.S. PATENT DOCUMENTS

D225,626 S *	12/1972	Davidson	D12/209
D294,821 S *	3/1988	Danbom	D12/211
D416,850 S *	11/1999	Cohen	D12/211
D460,035 S *	7/2002	Wiesinger	D12/211
D466,851 S *	12/2002	Pfeiffer	D12/211
D505,906 S *	6/2005	Pfeiffer	D12/211
D520,931 S *	5/2006	Hieke	D12/211
D525,930 S *	8/2006	Matsumoto	D12/211
D543,923 S *	6/2007	Hieke	D12/211

D556,113 S *	11/2007	Celik	D12/211
D573,523 S *	7/2008	McMath	D12/211
D681,539 S *	5/2013	Zhao	D12/211
D697,014 S *	1/2014	Stolz	D12/211
D708,562 S *	7/2014	Kern	D12/211
D720,273 S *	12/2014	Hilpert	D12/211
D722,002 S *	2/2015	Stolz	D12/211
D731,388 S *	6/2015	Gotschke	D12/211
D731,945 S *	6/2015	Kern	D12/211
D732,452 S *	6/2015	Chung	D12/211
D754,050 S *	4/2016	Rueckheim	D12/211
D763,161 S *	8/2016	Morgenstern	D12/211
D781,204 S *	3/2017	Peat	D12/211
D782,954 S *	4/2017	Liffick	D12/211
D832,178 S *	10/2018	Hodges	D12/211
D845,205 S *	4/2019	Chu	D12/211
D894,812 S *	9/2020	Sempek	D12/211
D899,999 S *	10/2020	Kong	D12/209

* cited by examiner

Primary Examiner — Stacia A Cadmus

(74) *Attorney, Agent, or Firm* — Eric Hanscom

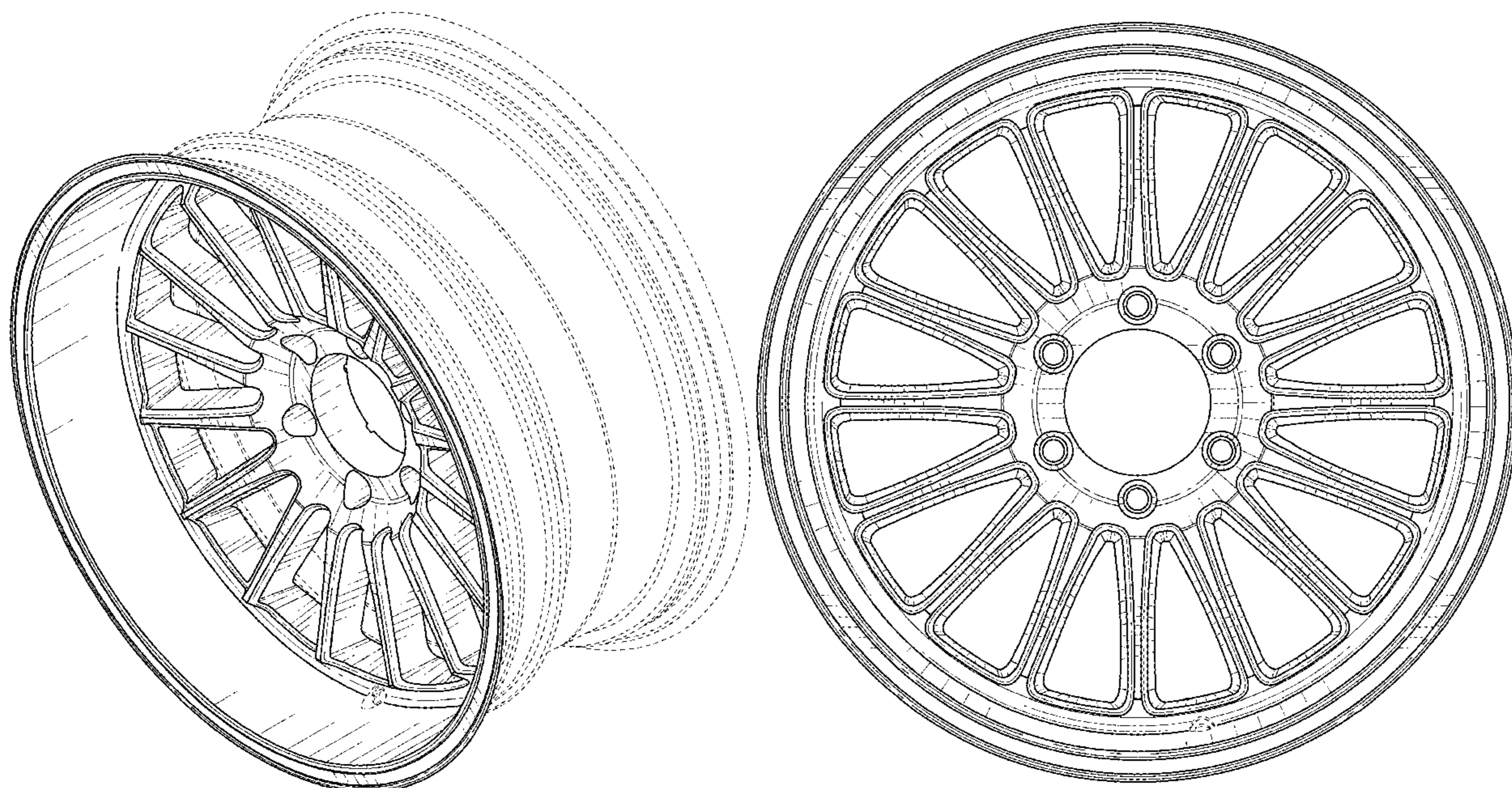
(57) **CLAIM**

The ornamental design for a wheel, as shown and described.

DESCRIPTION

FIG. 1 is a perspective view of a wheel showing my new design; and, FIG. 2 is a front view thereof. In the drawings, broken lines shown in the drawings depict environmental subject matter only and form no part of the claimed design.

1 Claim, 2 Drawing Sheets



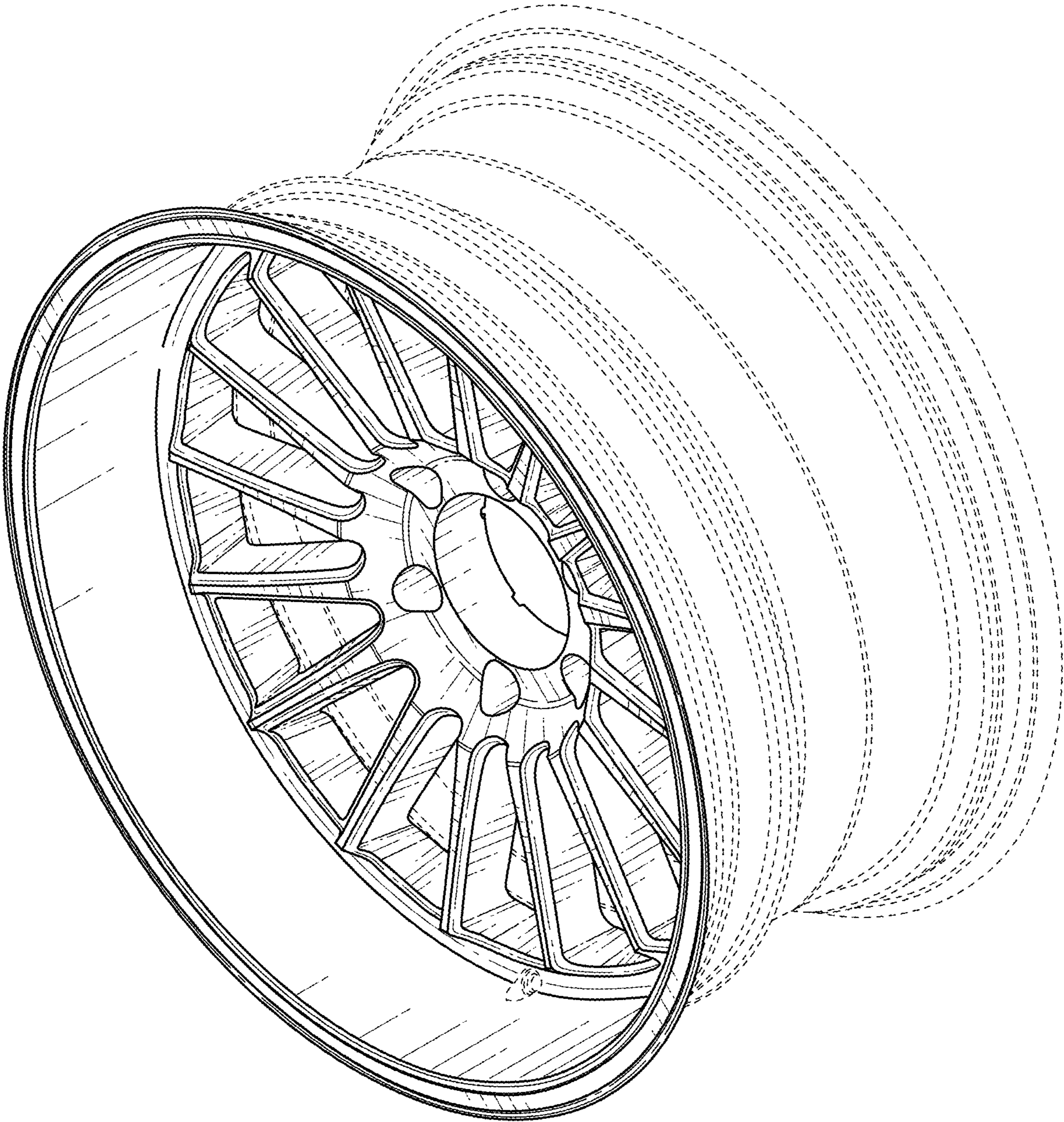


FIG. 1

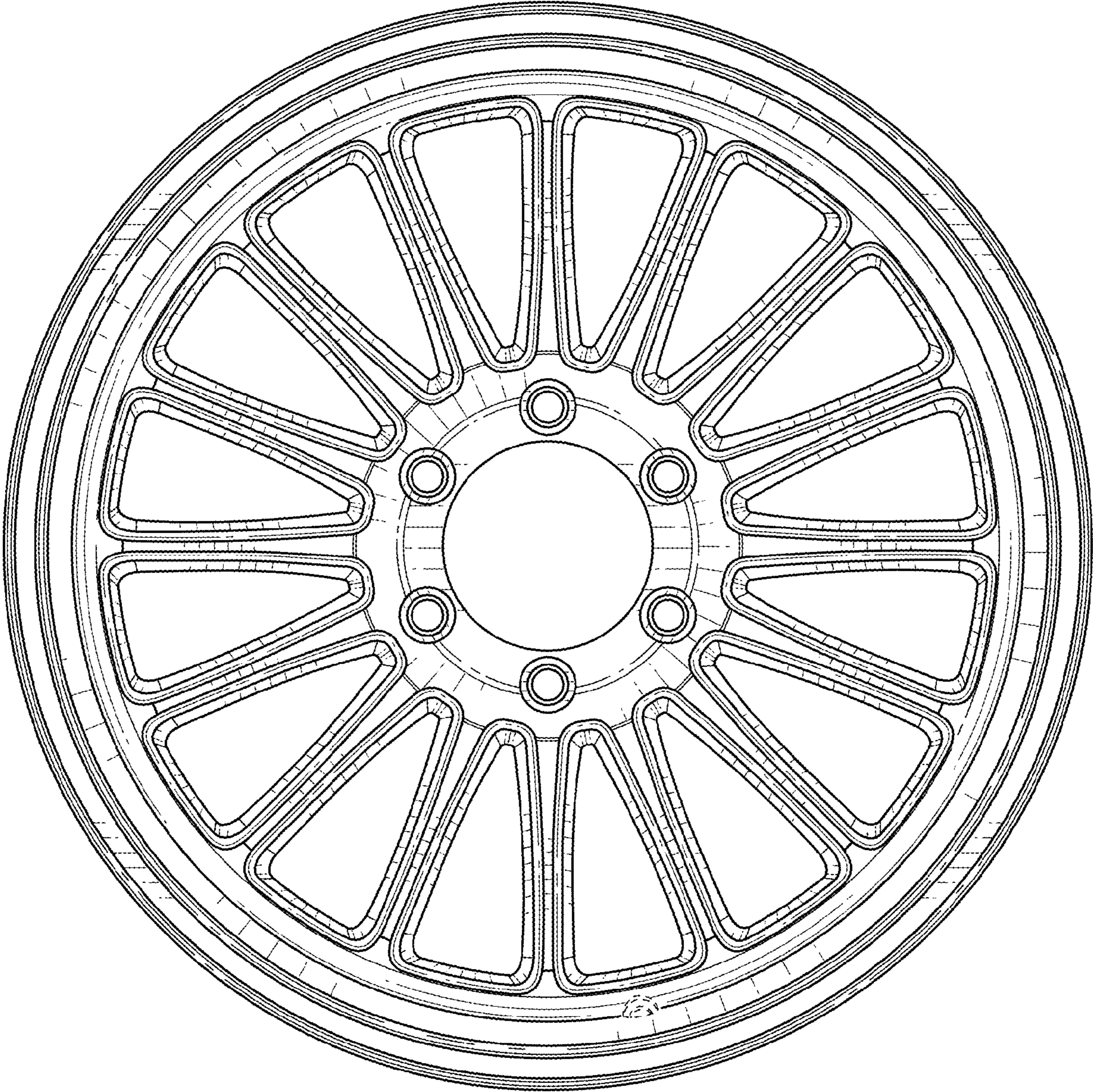


FIG. 2