



US00D914575S

(12) **United States Design Patent**
Lee

(10) **Patent No.:** **US D914,575 S**

(45) **Date of Patent:** **** Mar. 30, 2021**

(54) **AUTOMOTIVE WHEEL**

(71) Applicant: **Angela Lee**, Chicago, IL (US)

(72) Inventor: **Angela Lee**, Chicago, IL (US)

(**) Term: **15 Years**

(21) Appl. No.: **29/700,741**

(22) Filed: **Aug. 5, 2019**

(51) **LOC (13) Cl.** **12-16**

(52) **U.S. Cl.**
USPC **D12/211**

(58) **Field of Classification Search**
USPC D12/204–213; D21/533, 561, 563
CPC B60B 7/00; B60B 7/02; B60B 7/04; B60B
7/06; B60B 3/02; B60B 3/04; B60B 3/06;
B60B 3/10; B60B 1/00; B60B 1/08;
B60B 1/10; B60B 1/12
See application file for complete search history.

(56) **References Cited**

U.S. PATENT DOCUMENTS

D572,646 S *	7/2008	Hieke	D12/209
D581,849 S *	12/2008	Laengerer	D12/209
D583,741 S *	12/2008	Huet	D12/211
D604,222 S *	11/2009	Krisch	D12/211
D622,200 S *	8/2010	Zhao	D12/211
D630,567 S *	1/2011	Ettensberger	D12/211
D649,105 S *	11/2011	Hilpert	D12/211
D656,078 S *	3/2012	Hans	D12/211
D659,071 S *	5/2012	Hale, Jr.	D12/211
D683,688 S *	6/2013	Alfonso	D12/211
D709,019 S *	7/2014	Hale, Jr.	D12/211
D714,208 S *	9/2014	Chung	D12/211
D716,713 S *	11/2014	Hale, Jr.	D12/211
D722,938 S *	2/2015	Chung	D12/211
D741,776 S *	10/2015	Zhao	D12/211
D749,031 S *	2/2016	Zhao	D12/211

D749,484 S *	2/2016	Stopka	D12/209
D753,047 S *	4/2016	Alfonso	D12/211
D756,285 S *	5/2016	Zhao	D12/211
D758,277 S *	6/2016	Alfonso	D12/211
D763,767 S *	8/2016	Alfonso	D12/211
D778,222 S *	2/2017	Chung	D12/211
D780,659 S *	3/2017	Liffick	D12/211
D791,035 S *	7/2017	Palana	D12/209
D791,049 S *	7/2017	Burki	D12/211
D792,310 S *	7/2017	Burki	D12/211
D805,993 S *	12/2017	Sempek	D12/211
D808,327 S *	1/2018	Chung	D12/211
D818,413 S *	5/2018	Badstuebner	D12/211
D824,310 S *	7/2018	Chung	D12/209
D827,538 S *	9/2018	Behmer	D12/209
D836,058 S *	12/2018	Sempek	D12/211
D840,898 S *	2/2019	Wittinger	D12/209
D849,636 S *	5/2019	Hans	D12/209

(Continued)

Primary Examiner — Sheryl Lane
Assistant Examiner — Calvin E Vansant

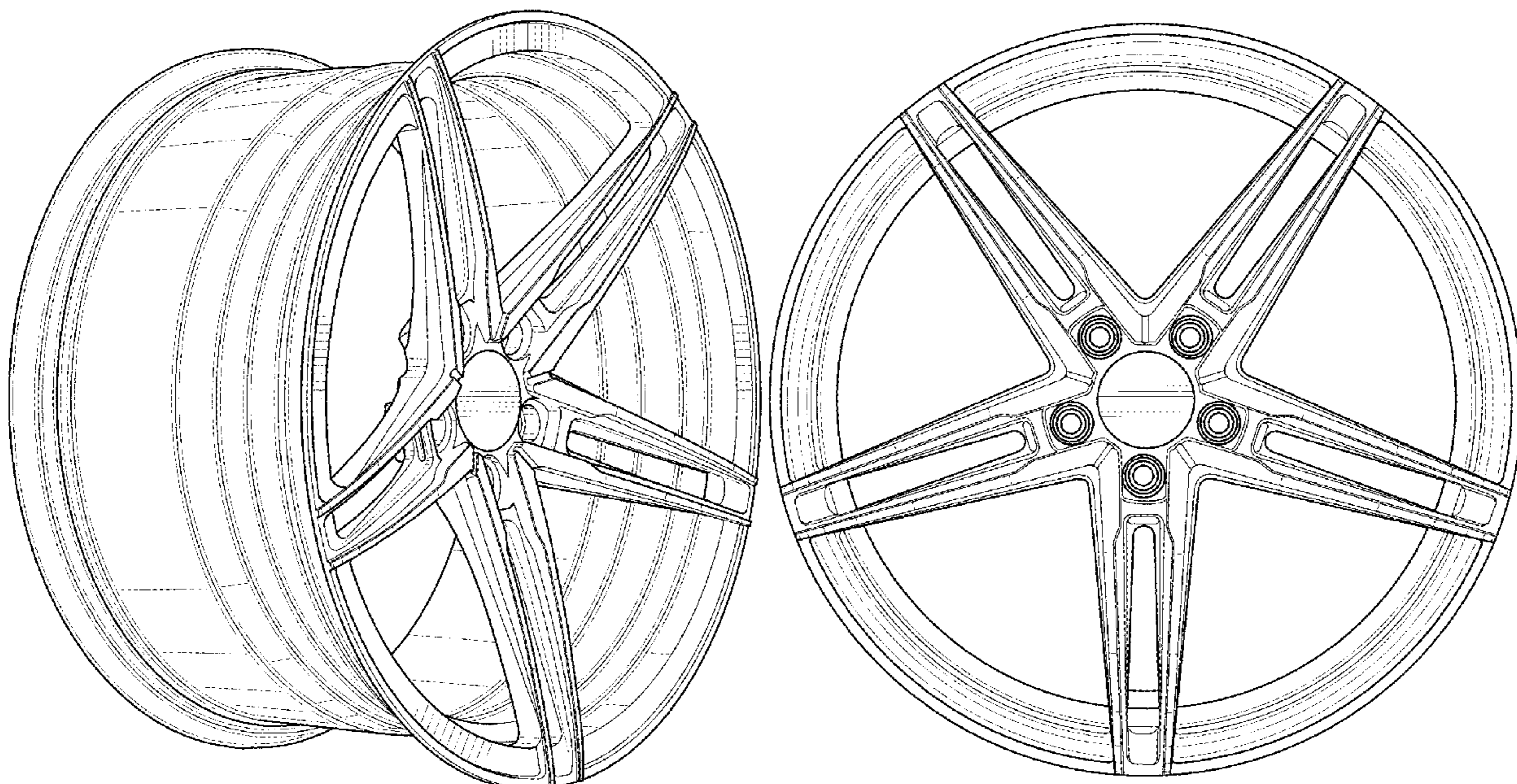
(57) **CLAIM**

I claim the ornamental design for an automotive wheel, as shown and described.

DESCRIPTION

FIG. 1 is a front perspective view of the automotive wheel of the claimed design;
FIG. 2 is a front view of the automotive wheel of FIG. 1;
FIG. 3 is a back view of the automotive wheel of FIG. 1;
FIG. 4 is a left side view of the automotive wheel of FIG. 1;
FIG. 5 is a right side view of the automotive wheel of FIG. 1;
FIG. 6 is a top view of the automotive wheel of FIG. 1; and,
FIG. 7 is a bottom view of the automotive wheel of FIG. 1.
The broken lines depict portions of the automotive wheel that form no part of the claimed design.

1 Claim, 6 Drawing Sheets



(56)

References Cited

U.S. PATENT DOCUMENTS

D850,346 S *	6/2019	Hans	D12/209
D855,001 S *	7/2019	Hodges	D12/211
D864,833 S *	10/2019	Han	D12/209
D876,313 S *	2/2020	Schmolz	D12/211
D887,942 S *	6/2020	Han	D12/209
D889,358 S *	7/2020	Williams	D12/209

* cited by examiner

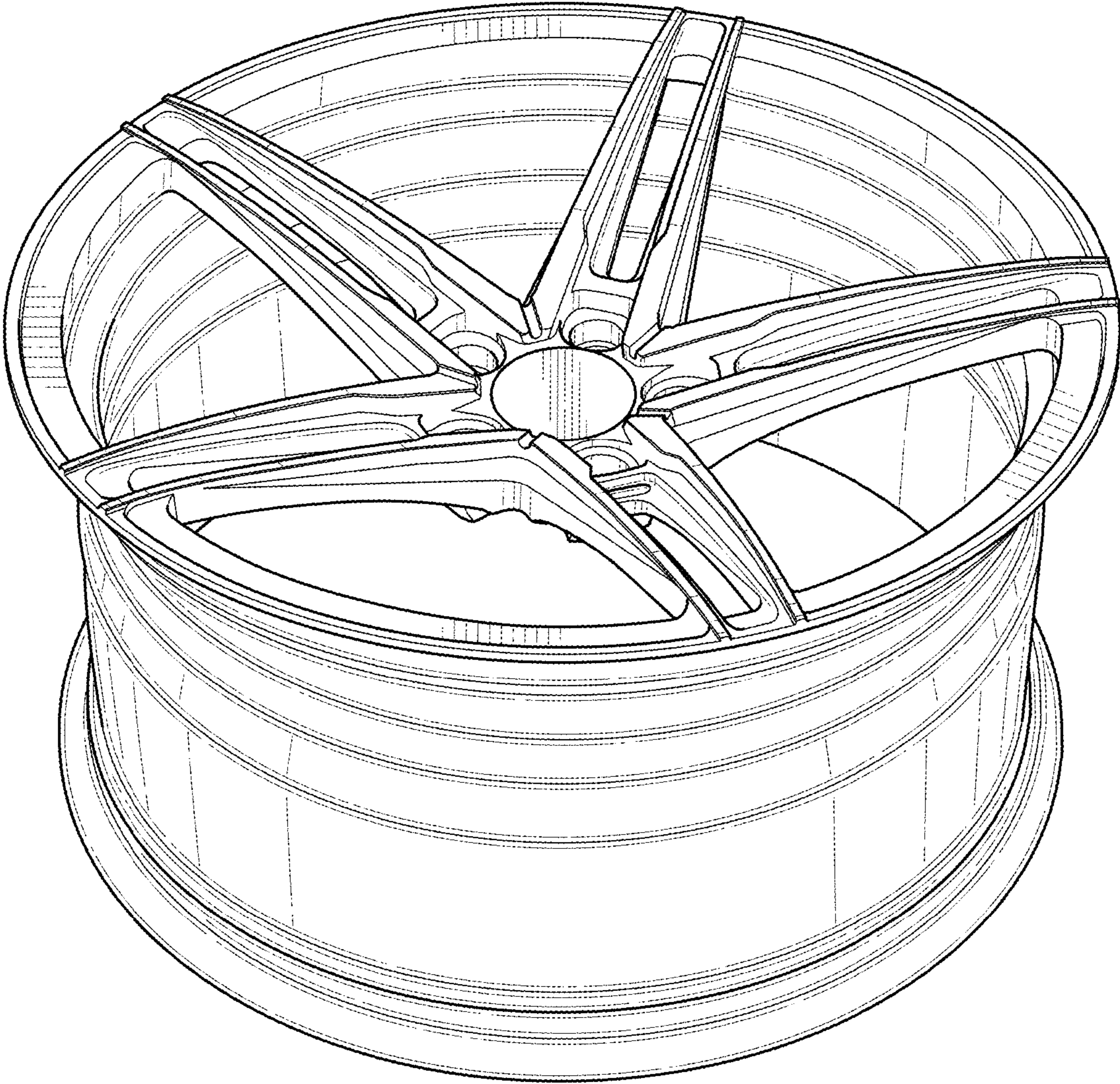


FIG. 1

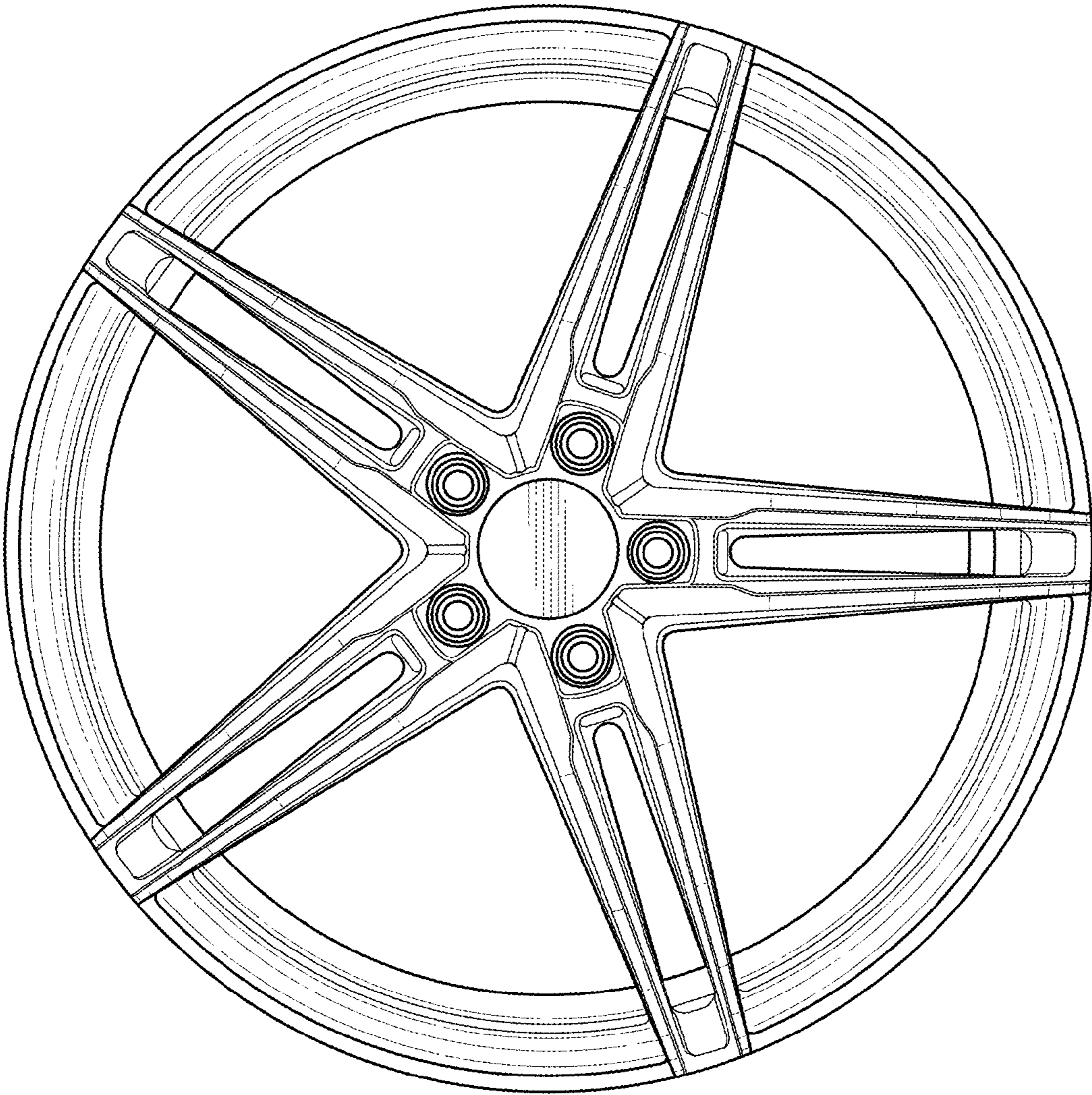


FIG. 2

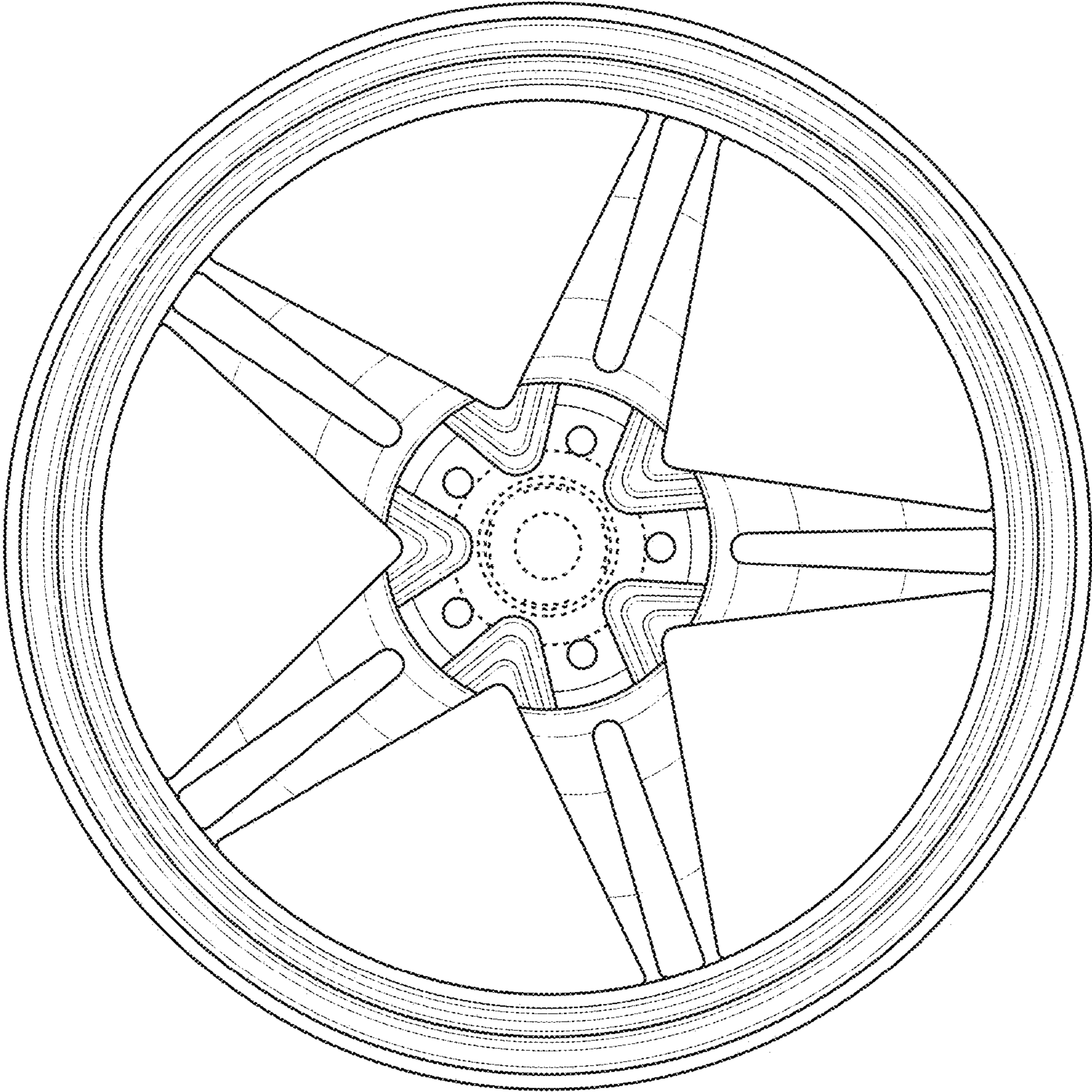


FIG. 3

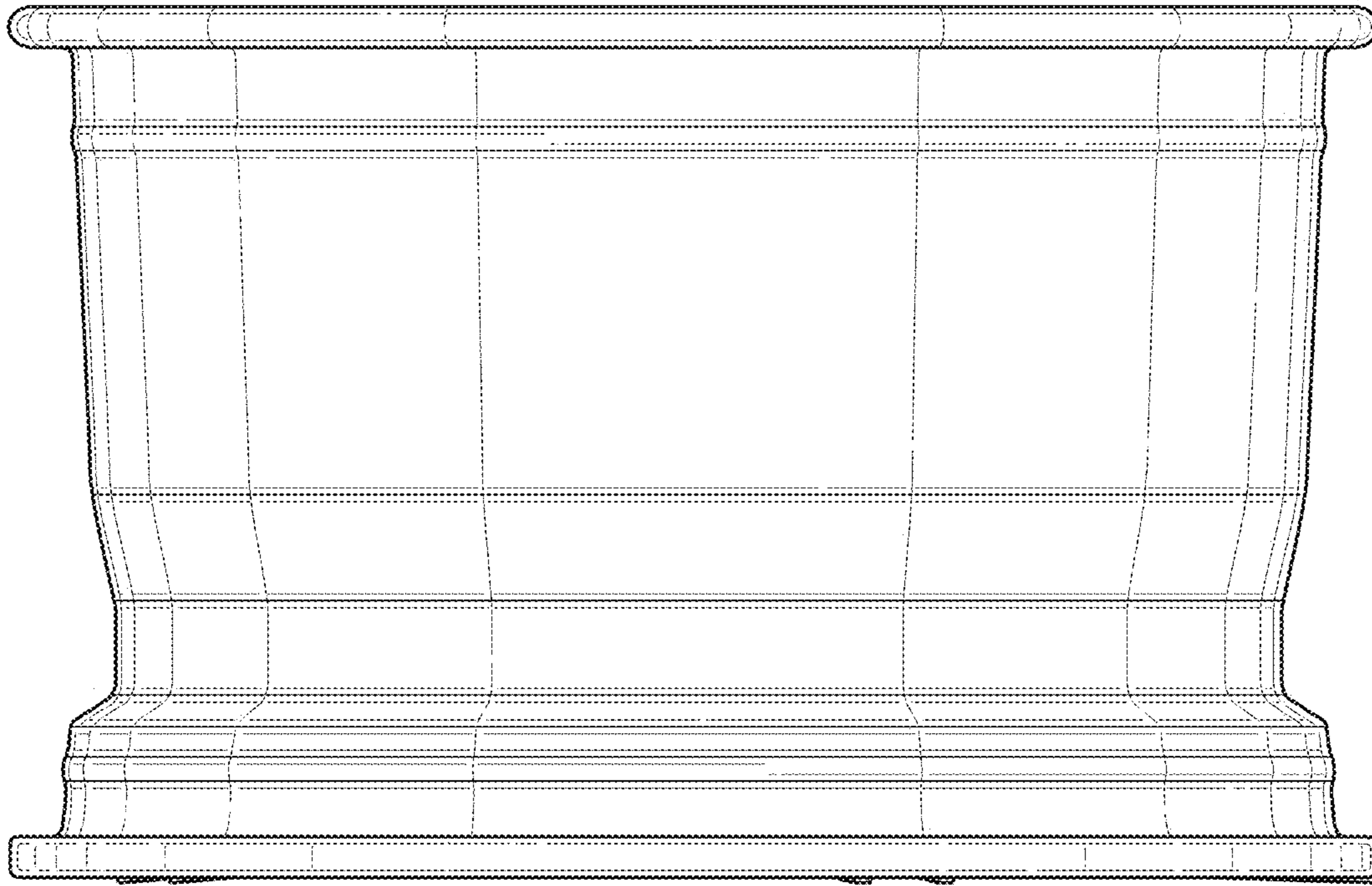


FIG. 5

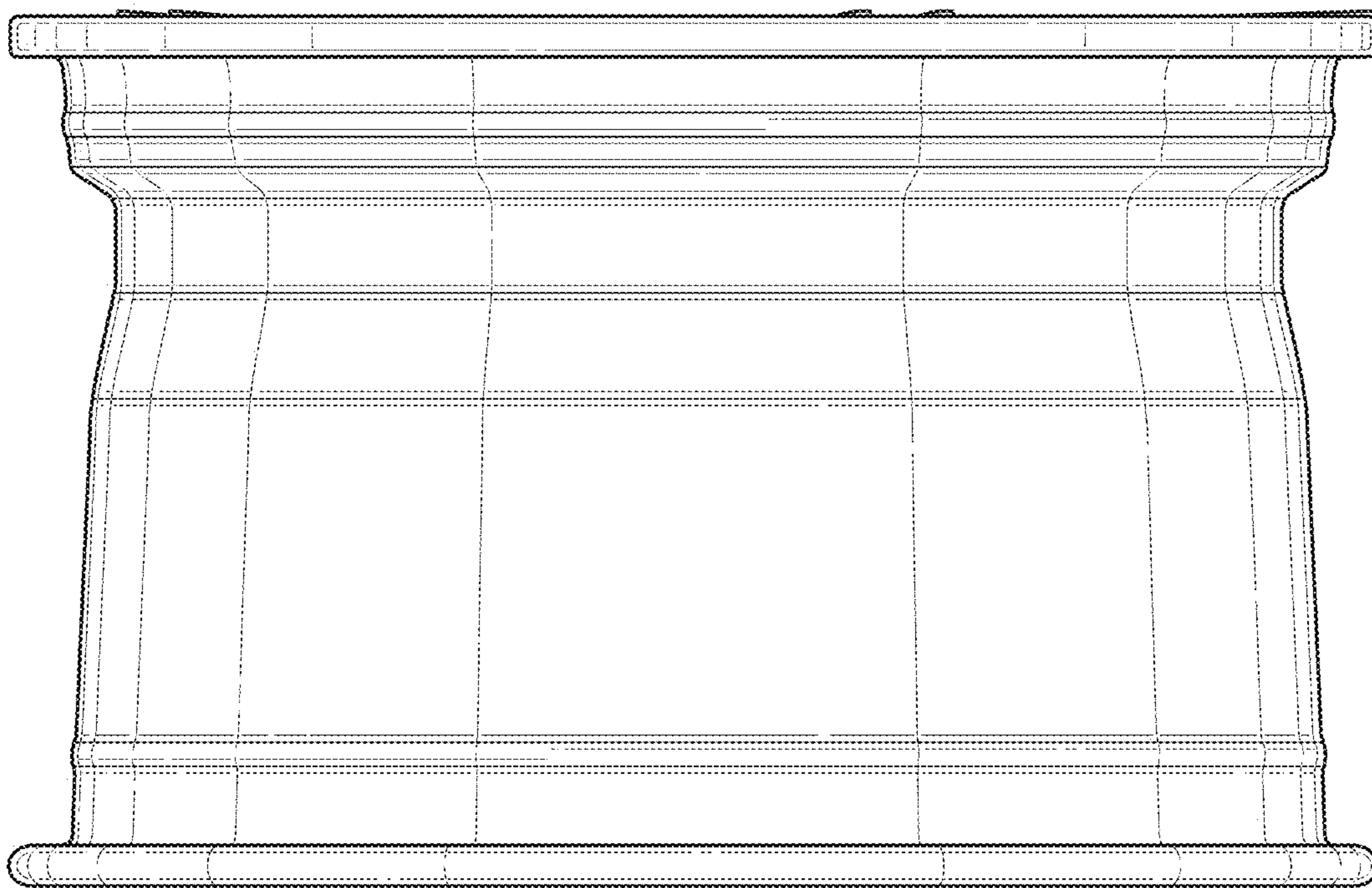


FIG. 4

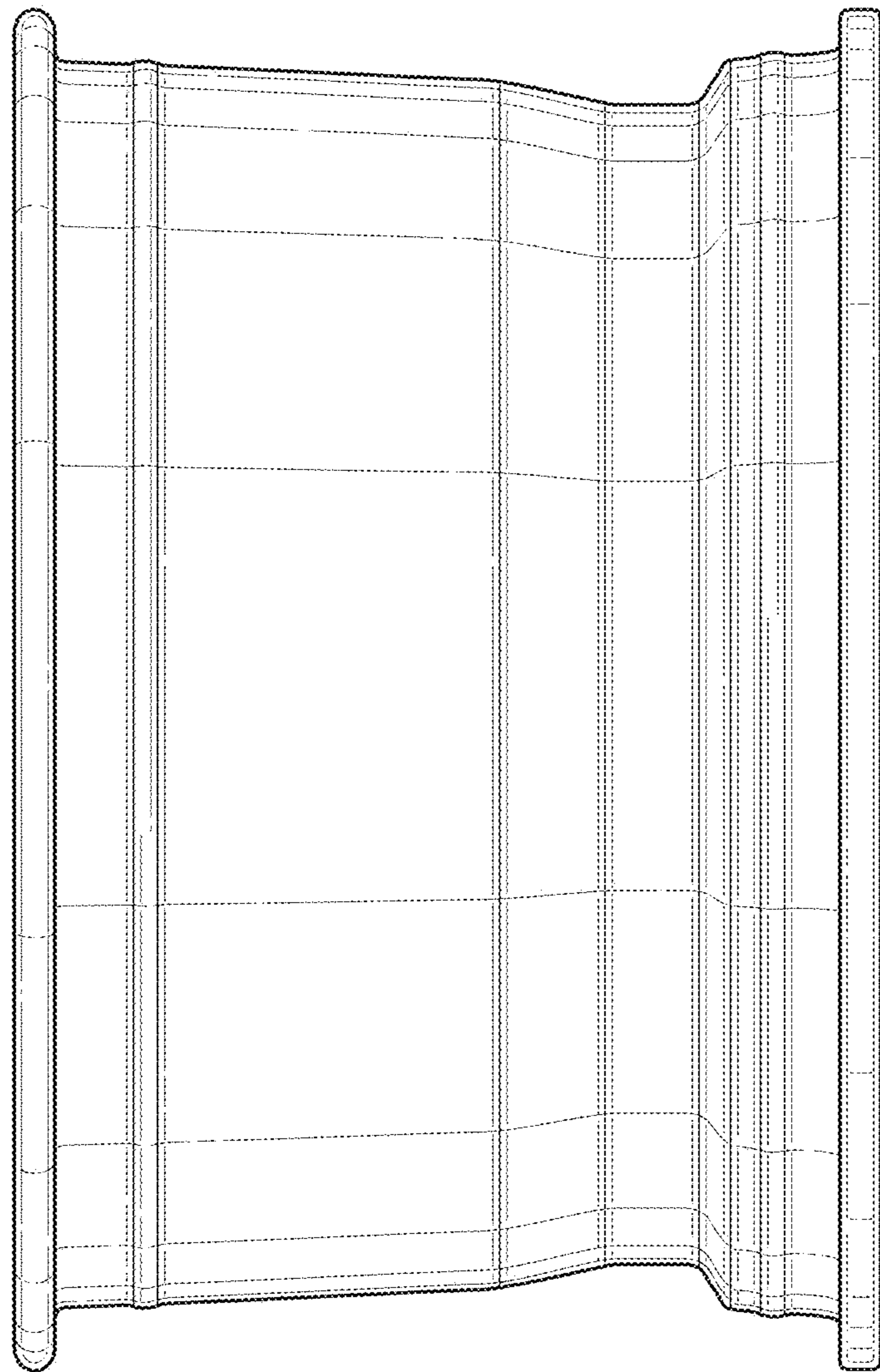


FIG. 6

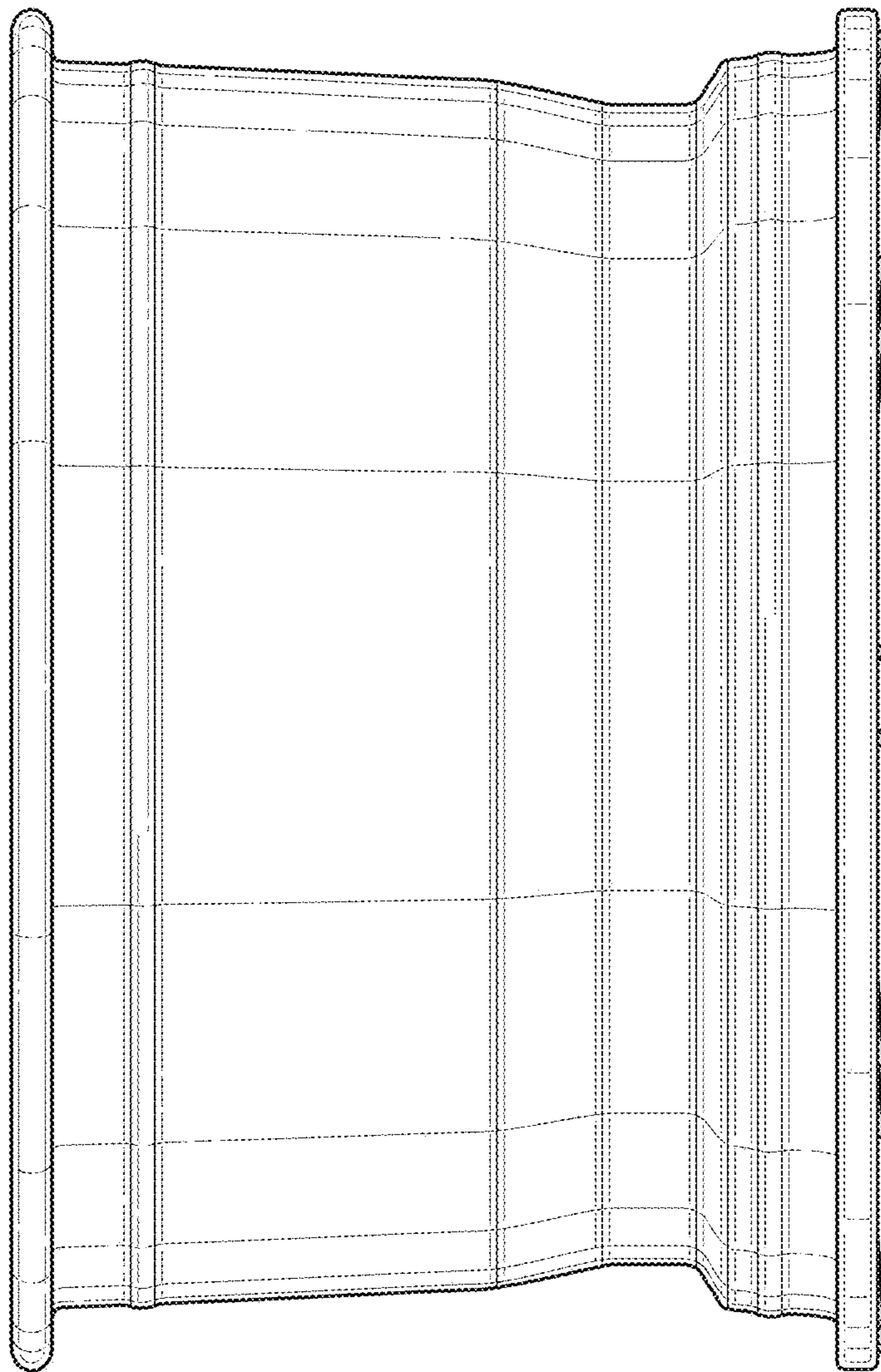


FIG. 7