



US00D914573S

(12) **United States Design Patent**
Kirst

(10) **Patent No.:** **US D914,573 S**

(45) **Date of Patent:** **** Mar. 30, 2021**

(54) **WHEEL**

(71) Applicant: **Arkon Wheels, LLC**, Batavia, IL (US)

(72) Inventor: **Tyler Kirst**, Appleton, WI (US)

(73) Assignee: **Arkon Wheels, LLC**, Batavia, IL (US)

(**) Term: **15 Years**

(21) Appl. No.: **29/712,140**

(22) Filed: **Nov. 5, 2019**

(51) **LOC (13) Cl.** **12-16**

(52) **U.S. Cl.**
USPC **D12/209**

(58) **Field of Classification Search**

USPC D12/204–213; D21/563
CPC B60B 7/00; B60B 7/02; B60B 7/04; B60B
7/01; B60B 7/06; B60B 3/02; B60B 3/04;
B60B 3/06; B60B 3/10; B60B 1/00;
B60B 1/08; B60B 1/10; B60B 1/12

See application file for complete search history.

(56) **References Cited**

U.S. PATENT DOCUMENTS

D464,009 S * 10/2002 Laengerer D12/211
D516,493 S * 3/2006 Frizzi D12/211
D593,476 S * 6/2009 Juergens D12/211
D655,662 S * 3/2012 Stucki D12/211

D720,273 S * 12/2014 Hilbert D12/211
D722,000 S * 2/2015 Kern D12/209
D745,841 S * 12/2015 Ferrett D12/209
D778,800 S * 2/2017 Chung D12/211
D788,009 S * 5/2017 Zhao D12/211
D800,633 S * 10/2017 Kong D12/211
D807,270 S * 1/2018 Zhao D12/211
D811,305 S * 2/2018 Hodges D12/211
D829,153 S * 9/2018 Han D12/209
D842,193 S * 3/2019 Han D12/209
D845,205 S * 4/2019 Chu D12/211
D853,930 S * 7/2019 Woodhouse D12/209
D860,091 S * 9/2019 Milani D12/209
D862,355 S * 10/2019 Battams D12/209
D877,027 S * 3/2020 Hamilton D12/209
D892,018 S * 8/2020 Han D12/209
D894,078 S * 8/2020 Lee D12/209
D897,256 S * 9/2020 Han D12/209

* cited by examiner

Primary Examiner — Stacia A Cadmus

(74) *Attorney, Agent, or Firm* — Epiphany Law, LLC

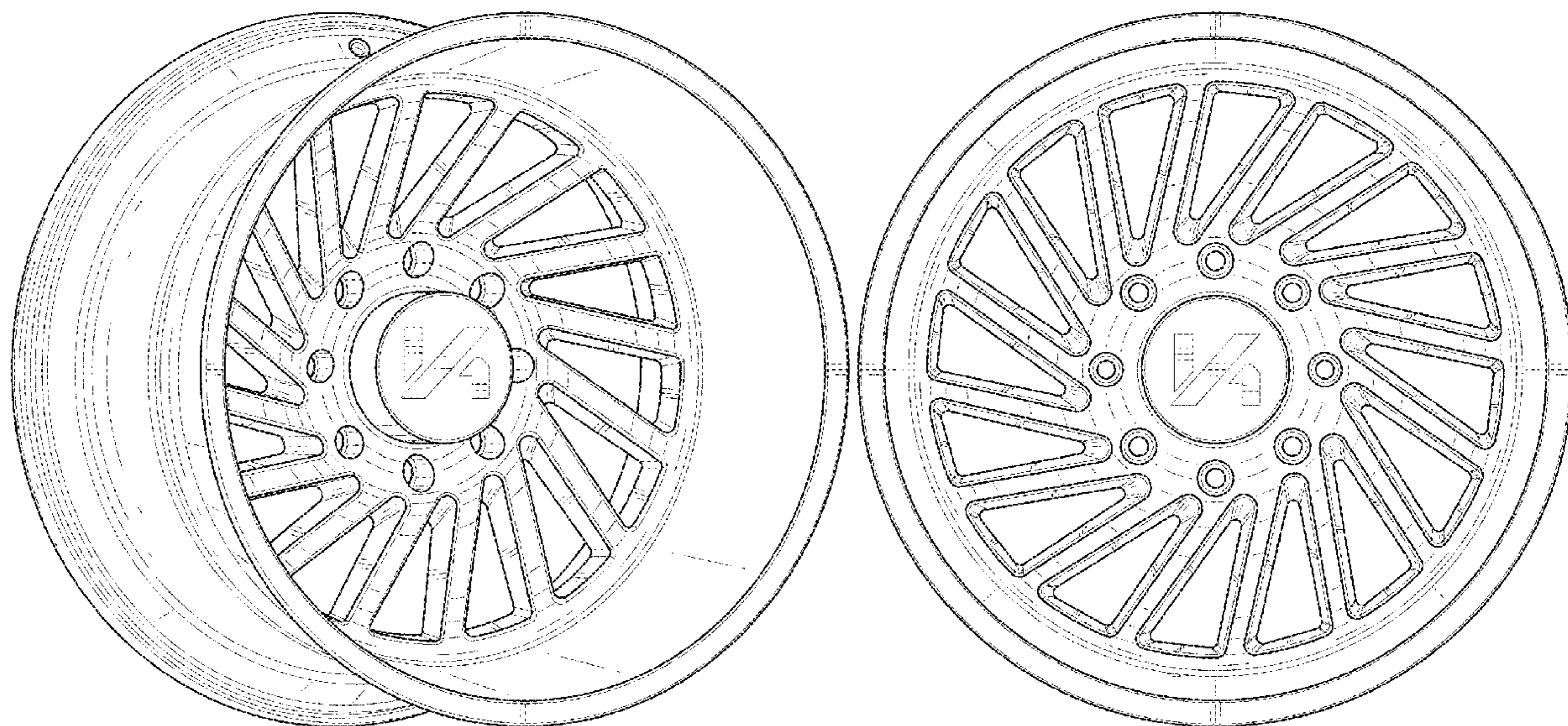
(57) **CLAIM**

The ornamental design for a wheel, as shown and described.

DESCRIPTION

FIG. 1 is a perspective view of a wheel, showing my new design; and,
FIG. 2 is a front elevation view thereof.

1 Claim, 2 Drawing Sheets



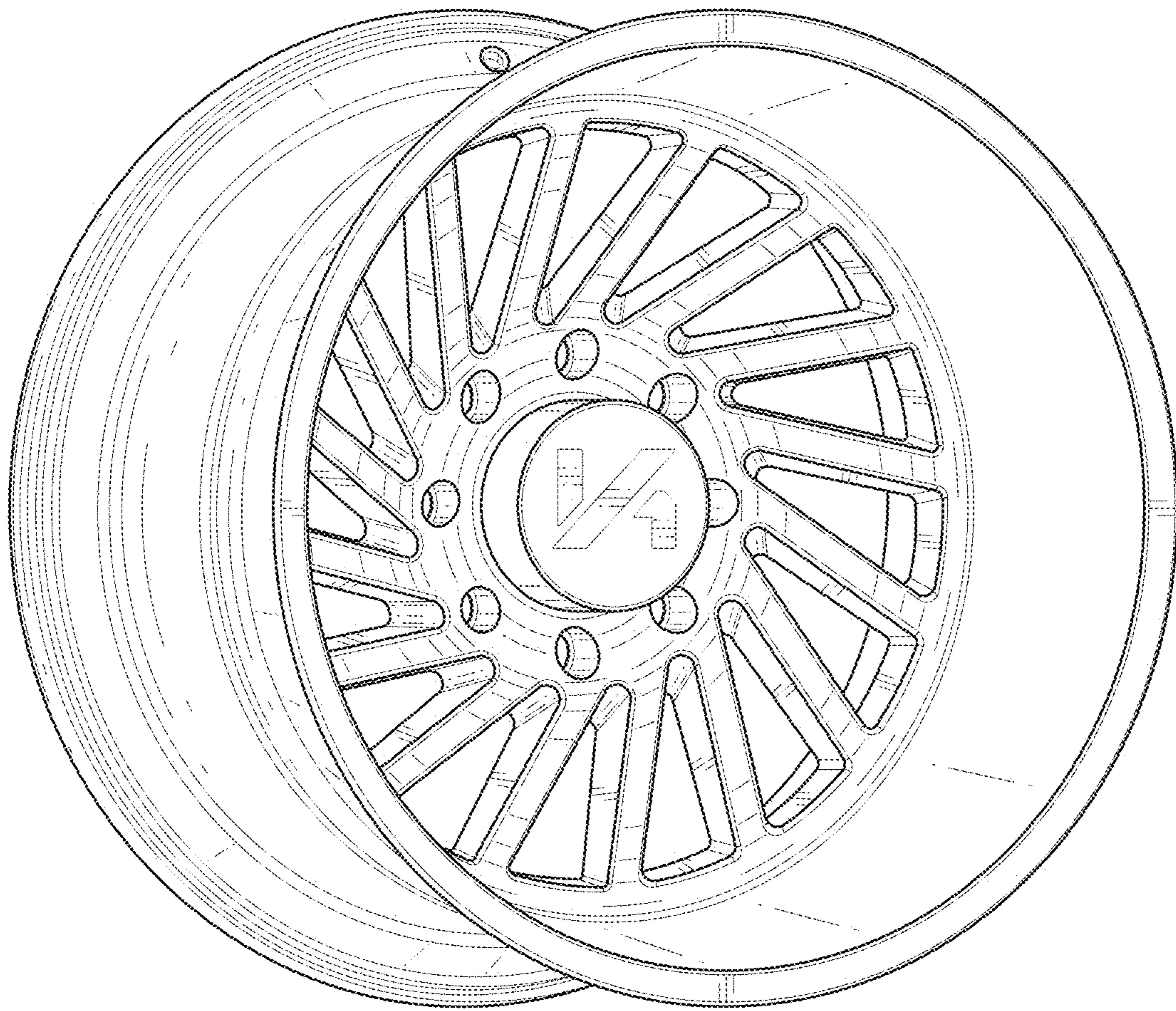


FIG. 1

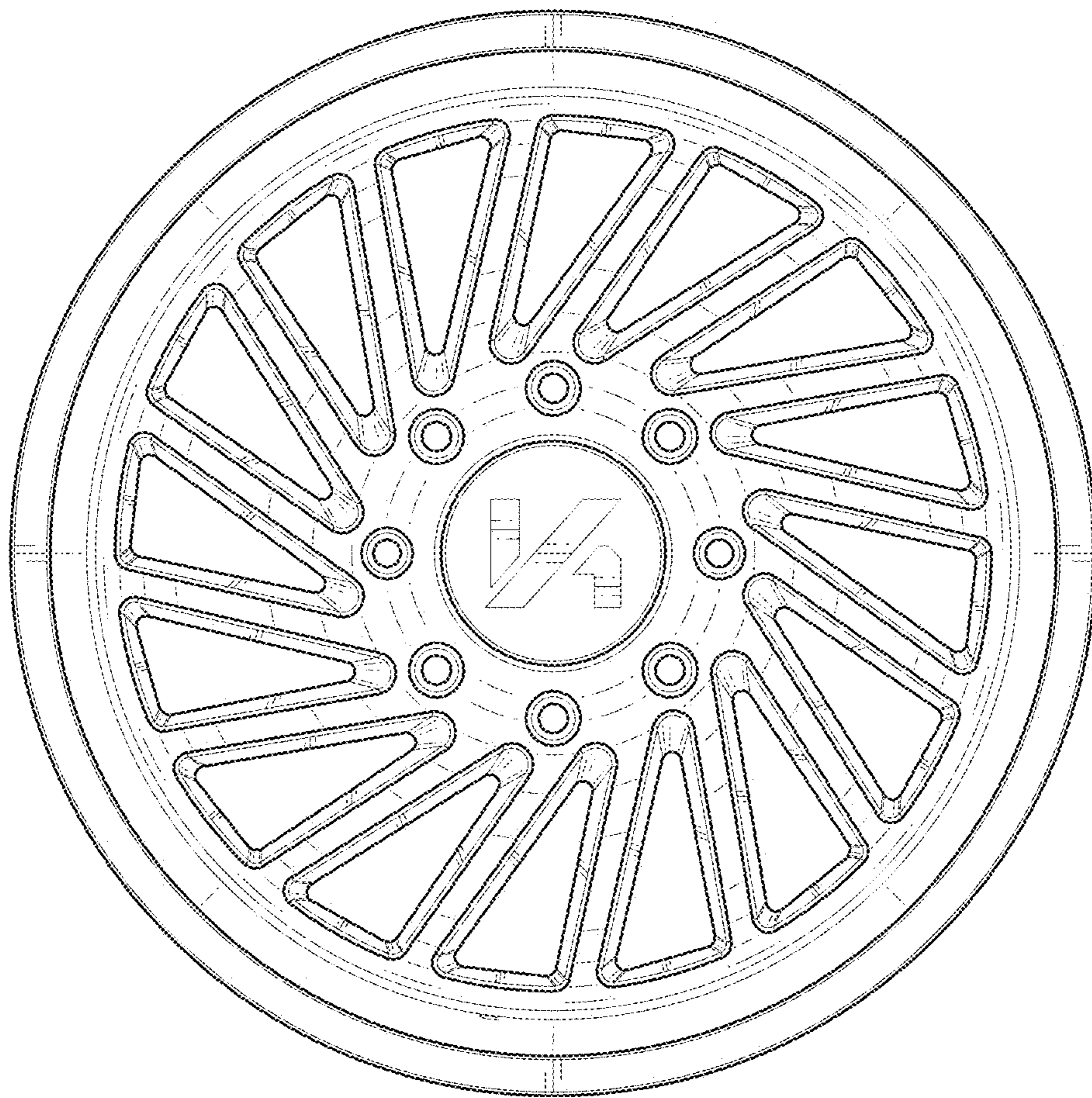


FIG. 2