



US00D914570S

(12) **United States Design Patent**
Chan

(10) **Patent No.:** **US D914,570 S**

(45) **Date of Patent:** **** Mar. 30, 2021**

(54) **WHEEL**

(71) Applicant: **Jaguar Land Rover Limited**, Whitley
Coventry (GB)

(72) Inventor: **Alex Chan**, Whitley Coventry (GB)

(73) Assignee: **Jaguar Land Rover Limited**, Coventry
(GB)

(**) Term: **15 Years**

(21) Appl. No.: **29/684,888**

(22) Filed: **Mar. 25, 2019**

Related U.S. Application Data

(62) Division of application No. 29/629,426, filed on Dec.
13, 2017, now Pat. No. Des. 848,343.

Foreign Application Priority Data

Jun. 15, 2017 (EM) 004048916

(51) **LOC (13) Cl.** **12-16**

(52) **U.S. Cl.**
USPC **D12/209**

(58) **Field of Classification Search**

USPC D12/204-213; D21/563
CPC B60B 7/00; B60B 7/02; B60B 7/04; B60B
7/01; B60B 7/06; B60B 3/02; B60B 3/04;
B60B 3/06; B60B 3/10; B60B 1/00;
B60B 1/08; B60B 1/10; B60B 1/12

See application file for complete search history.

(56) **References Cited**

U.S. PATENT DOCUMENTS

D576,536 S *	9/2008	Aroney	D12/209
D671,877 S *	12/2012	Roura	D12/209
D684,516 S *	6/2013	Bennion	D12/209
D700,565 S *	3/2014	Gonzalez	D12/209
D740,197 S *	10/2015	Valencia Pollex	D12/209
D769,164 S *	10/2016	Valencia Pollex	D12/209
D781,765 S *	3/2017	Bjerke	D12/209
D790,423 S *	6/2017	Valencia Pollex	D12/209
D796,408 S *	9/2017	Valencia Pollex	D12/209
D842,194 S *	3/2019	Han	D12/209
D848,343 S *	5/2019	Chan	D12/209
D857,599 S *	8/2019	Trim	D12/211
D875,017 S *	2/2020	Valencia Pollex	D12/209
D876,307 S *	2/2020	Setter	D12/209

* cited by examiner

Primary Examiner — Stacia A Cadmus

(74) *Attorney, Agent, or Firm* — Wood Herron & Evans
LLP

(57) **CLAIM**

The ornamental design for a wheel, as shown and described.

DESCRIPTION

FIG. 1 is a front left perspective view of a wheel, showing
my new design;

FIG. 2 is a front right perspective view of the wheel shown
in FIG. 1.

FIG. 3 is a front view thereof.

FIG. 4 is a left side view thereof, the right side view being
a mirror image thereof.

FIG. 5 is a rear view thereof.

FIG. 6 is a rear right perspective view thereof; and,

FIG. 7 is a rear left perspective view thereof.

1 Claim, 5 Drawing Sheets

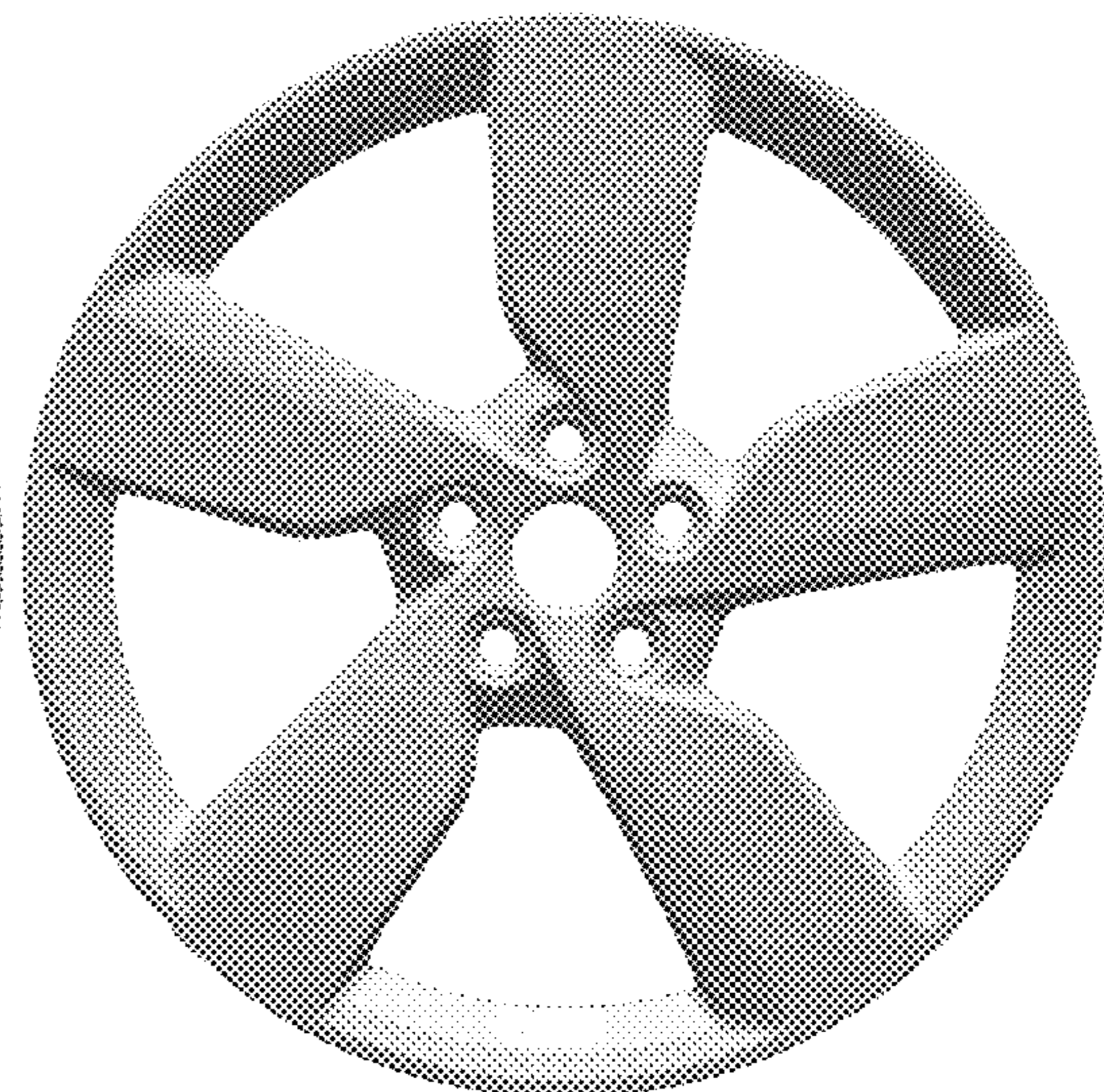
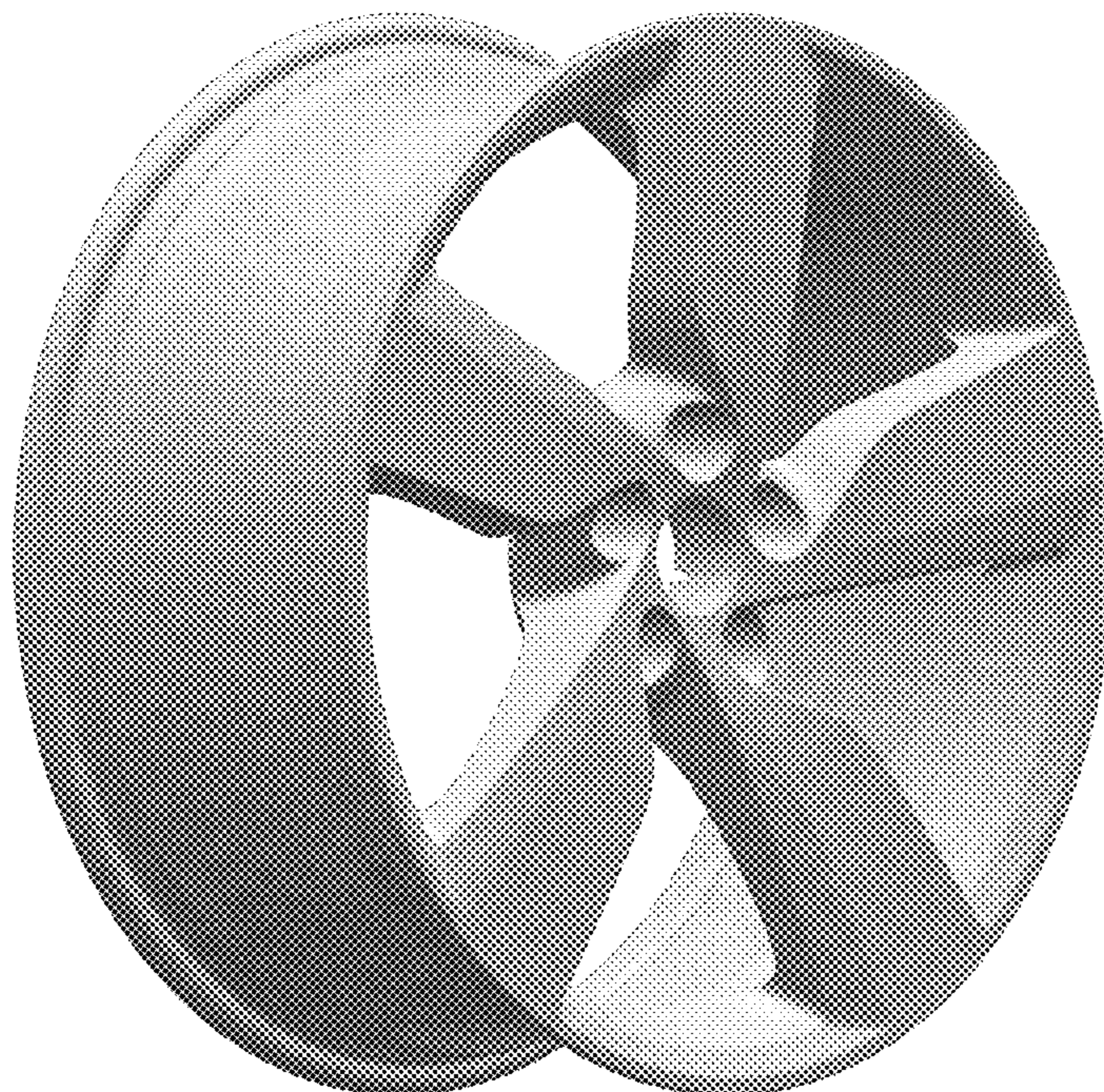




FIG. 1



FIG. 2

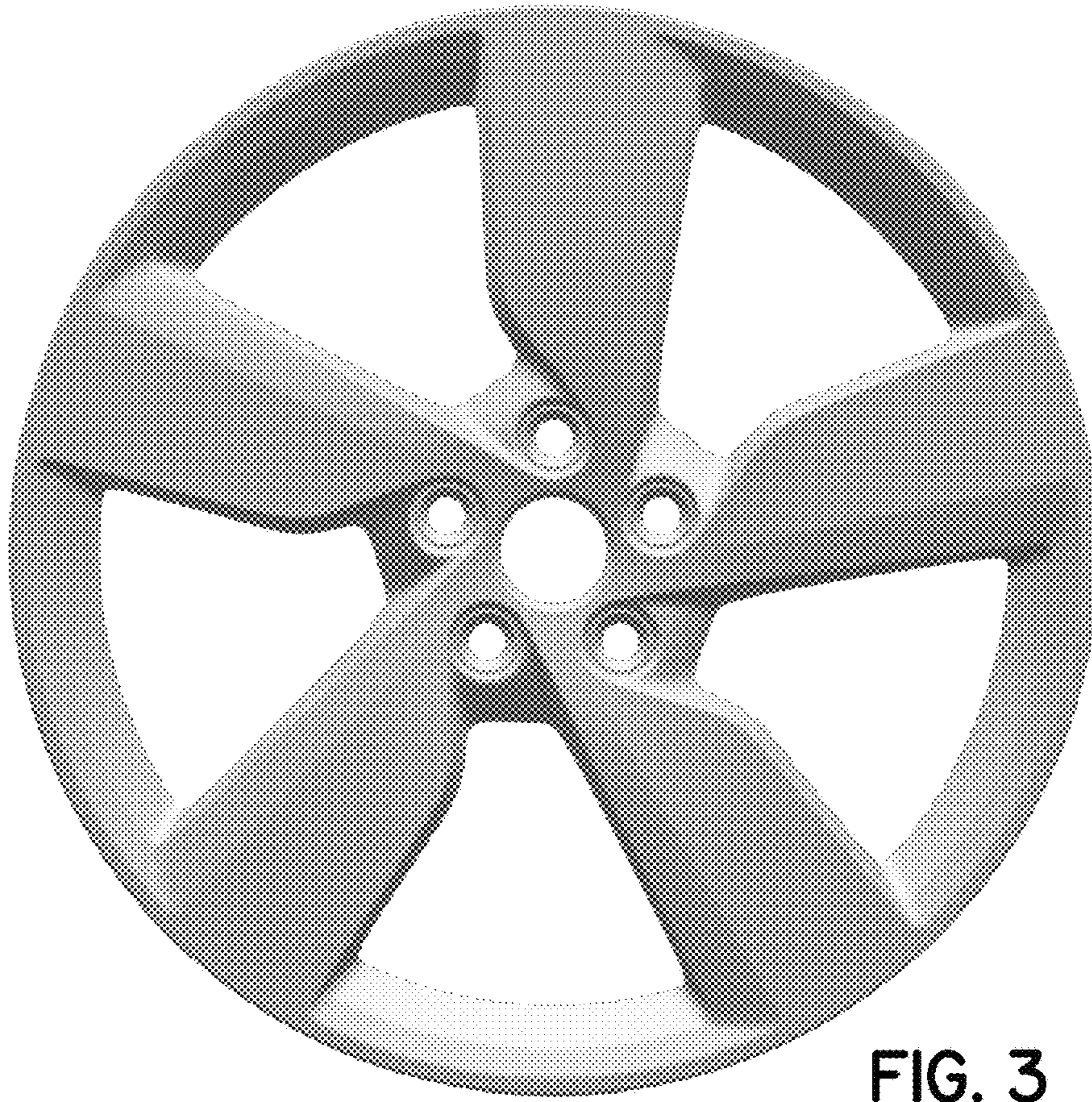


FIG. 3

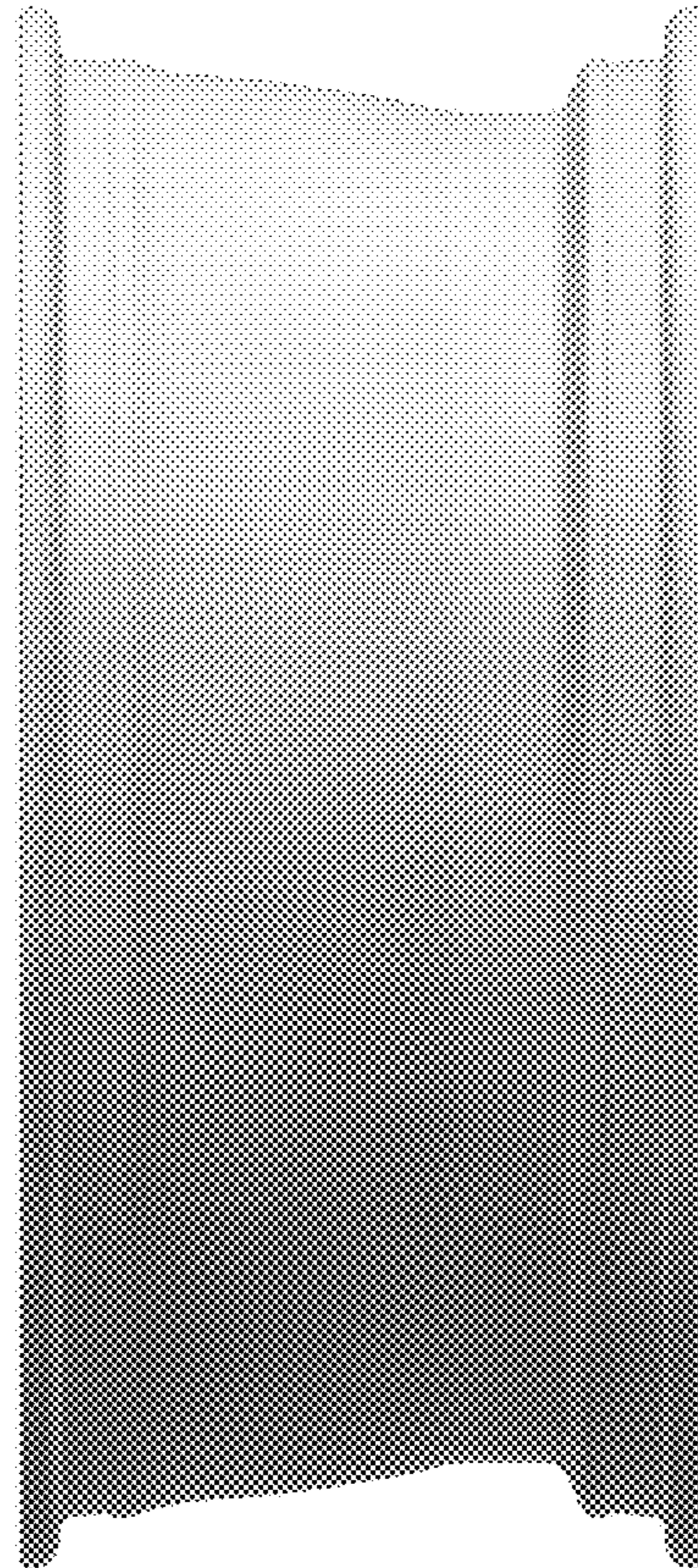


FIG. 4

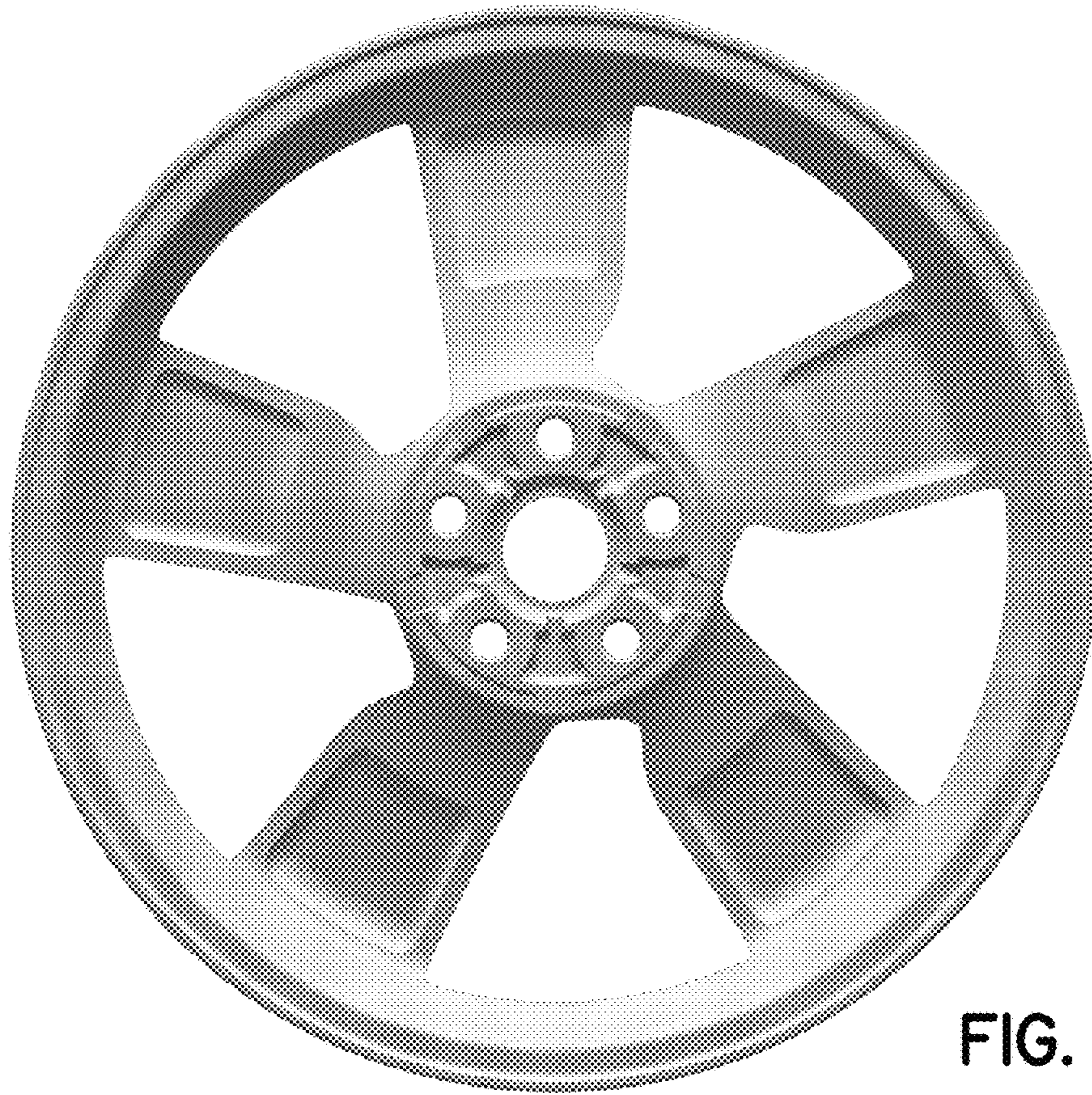


FIG. 5



FIG. 6



FIG. 7