



US00D914569S

(12) **United States Design Patent**
Matsuoka et al.

(10) **Patent No.:** **US D914,569 S**
(45) **Date of Patent:** **** Mar. 30, 2021**

- (54) **TAILGATE FOR AN AUTOMOBILE**
- (71) Applicant: **mitsubishi JIDOSHA KOGYO KABUSHIKI KAISHA**, Tokyo (JP)
- (72) Inventors: **Ryosuke Matsuoka**, Tokyo (JP);
Shuichiro Yamamoto, Tokyo (JP);
Kenichi Noda, Tokyo (JP)
- (73) Assignee: **mitsubishi JIDOSHA KOGYO KABUSHIKI KAISHA**, Tokyo (JP)
- (**) Term: **15 Years**
- (21) Appl. No.: **29/699,314**
- (22) Filed: **Jul. 24, 2019**

- D788,645 S * 6/2017 Mueller D12/91
- D790,400 S * 6/2017 Zavatski D12/91
- D797,632 S * 9/2017 Zipfel D12/196
- D799,375 S * 10/2017 Zavatski D12/91
- D799,376 S * 10/2017 Telaak D12/91
- D801,858 S * 11/2017 Hagino D12/91
- D801,861 S * 11/2017 Hubers D12/91
- D801,862 S * 11/2017 Brendel D12/91
- D802,478 S * 11/2017 Perkins D12/91
- D802,482 S * 11/2017 Sterner D12/91
- D803,123 S * 11/2017 Granlund D12/196
- D804,359 S * 12/2017 Ishii D12/91
- D805,433 S * 12/2017 Scheinhutte D12/91
- D805,434 S * 12/2017 Bischoff D12/91
- D805,959 S * 12/2017 Wheel D12/91
- D805,985 S * 12/2017 Nakamura D12/196
- D807,227 S * 1/2018 Chen D12/91
- D807,228 S * 1/2018 Woolley D12/91
- D807,788 S * 1/2018 Hatton D12/91

(Continued)

(30) **Foreign Application Priority Data**

Jan. 25, 2019 (JP) 2019-001416

(51) **LOC (13) Cl.** **12-16**

(52) **U.S. Cl.**
USPC **D12/196**

(58) **Field of Classification Search**
USPC D12/86, 90, 91, 92, 163, 169, 171, 183,
D12/196, 216
CPC B62D 24/02; B62D 25/00; B62D 25/003;
B62D 25/02; B62D 25/08; B62D
33/0273; B62D 33/03; B62D 33/037
See application file for complete search history.

(56) **References Cited**

U.S. PATENT DOCUMENTS

- D499,357 S * 12/2004 Velazco D12/91
- D736,128 S * 8/2015 Blanski D12/196
- D749,480 S * 2/2016 Yu D12/196
- D766,795 S * 9/2016 Kim D12/196
- D783,482 S * 4/2017 Smith D12/196
- D788,644 S * 6/2017 Mueller D12/91

Primary Examiner — Susan Bennett Hattan

Assistant Examiner — Suzanne E Tisdell

(74) *Attorney, Agent, or Firm* — Birch, Stewart, Kolasch & Birch, LLP.

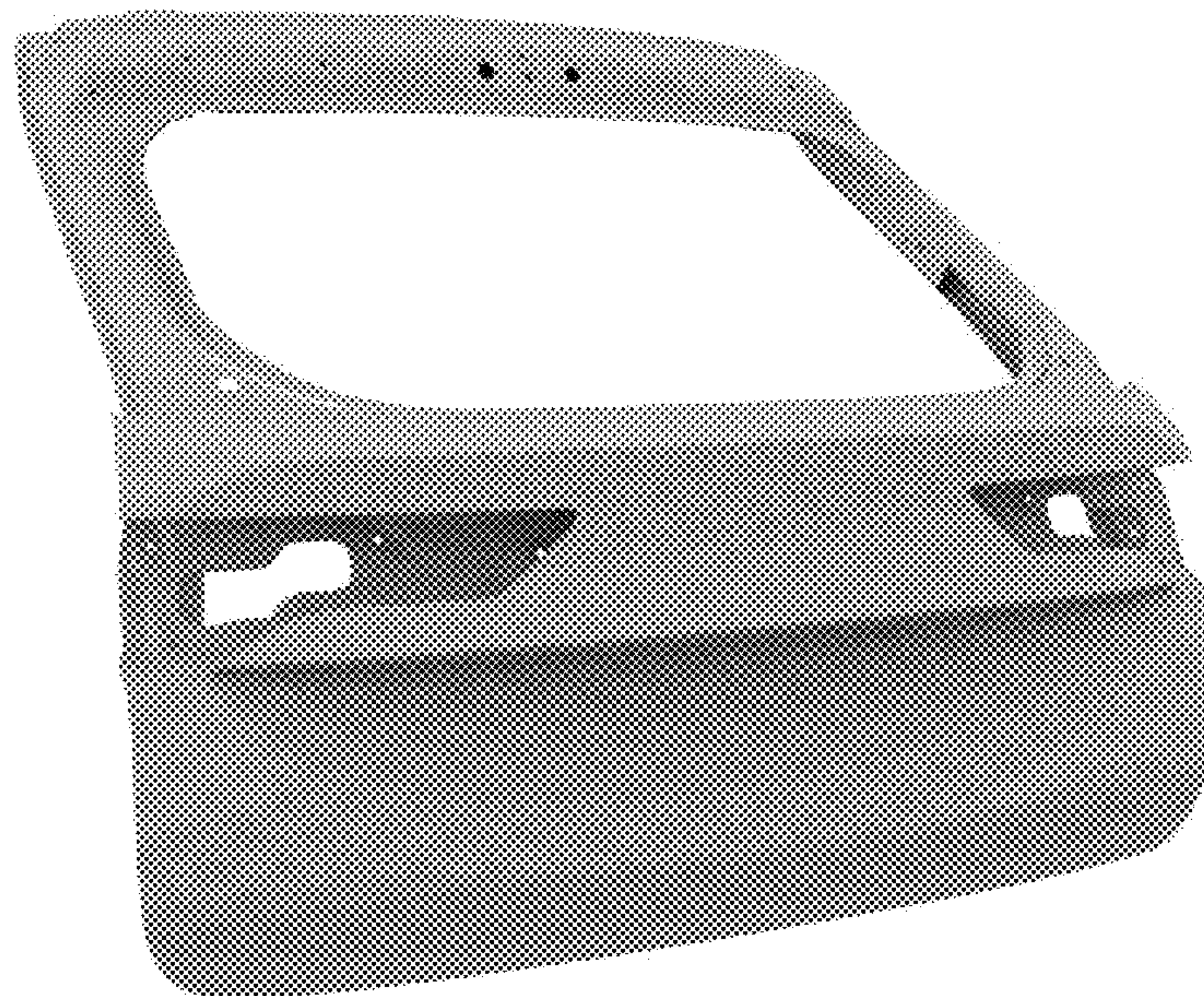
(57) **CLAIM**

The ornamental design for a tailgate for an automobile, as shown and described.

DESCRIPTION

FIG. 1 is a perspective view of left, front, and top of a tailgate for an automobile showing my new design; FIG. 2 is a perspective view of right, front, and top thereof; FIG. 3 is a front view thereof; FIG. 4 is a rear view thereof; FIG. 5 is a left side view thereof; FIG. 6 is a right side view thereof; FIG. 7 is a top view thereof; and, FIG. 8 is a bottom view thereof.

1 Claim, 8 Drawing Sheets



(56)

References Cited

U.S. PATENT DOCUMENTS

D808,321 S * 1/2018 Kim D12/196
D823,209 S 7/2018 Austin

* cited by examiner

Fig. 1



Fig. 2



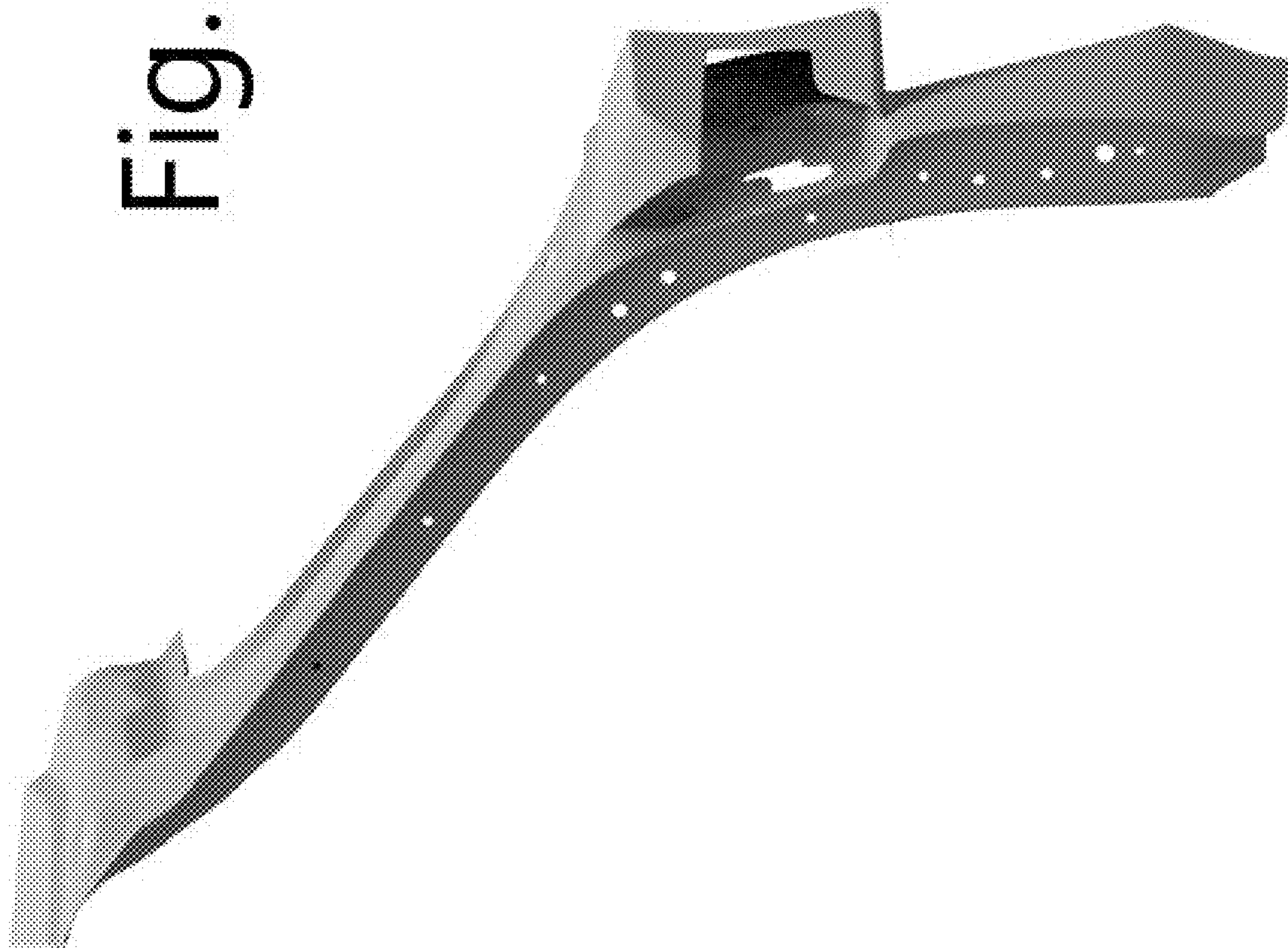
Fig. 3



Fig. 4



Fig. 5



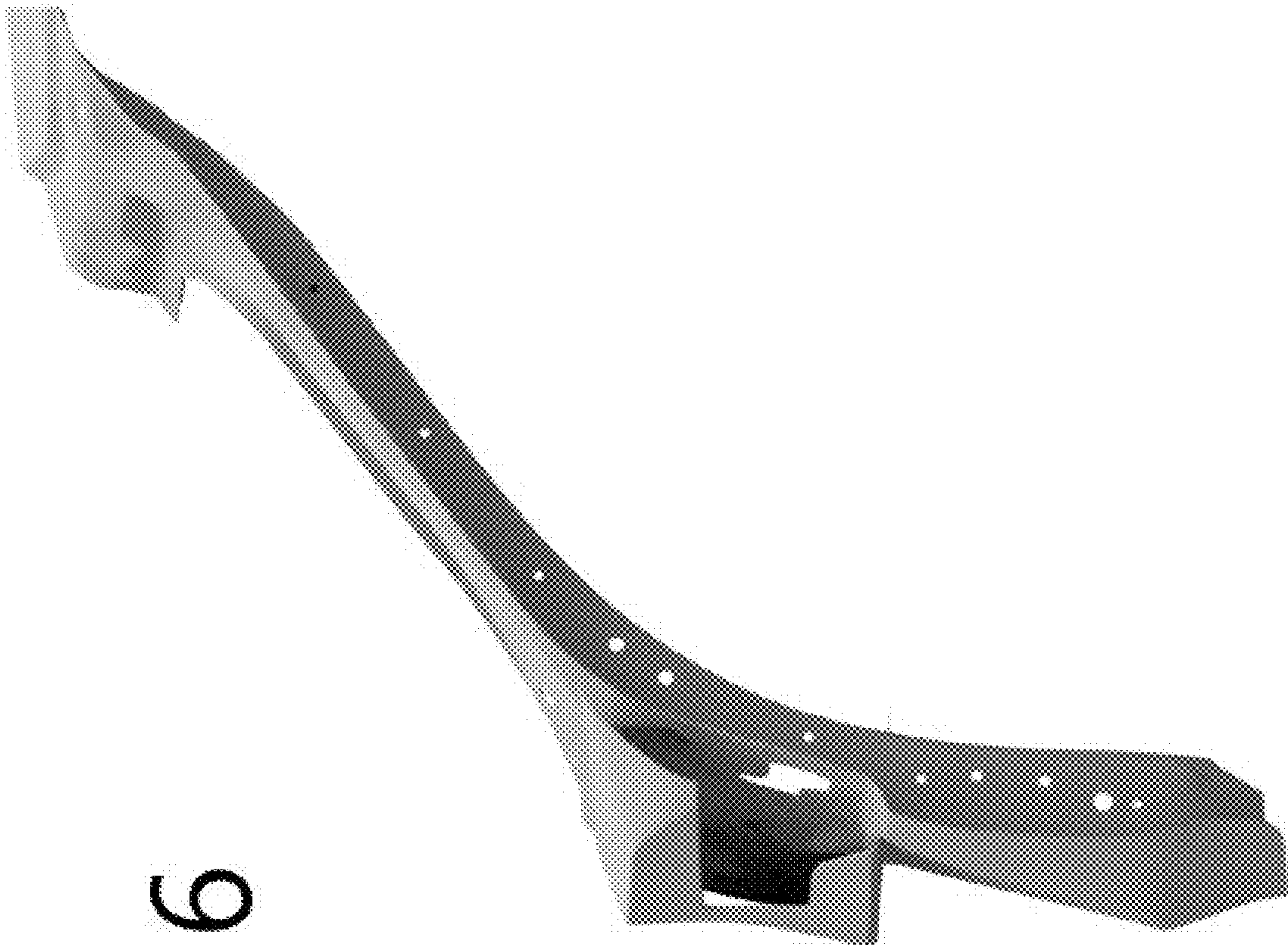


Fig. 6

Fig. 7

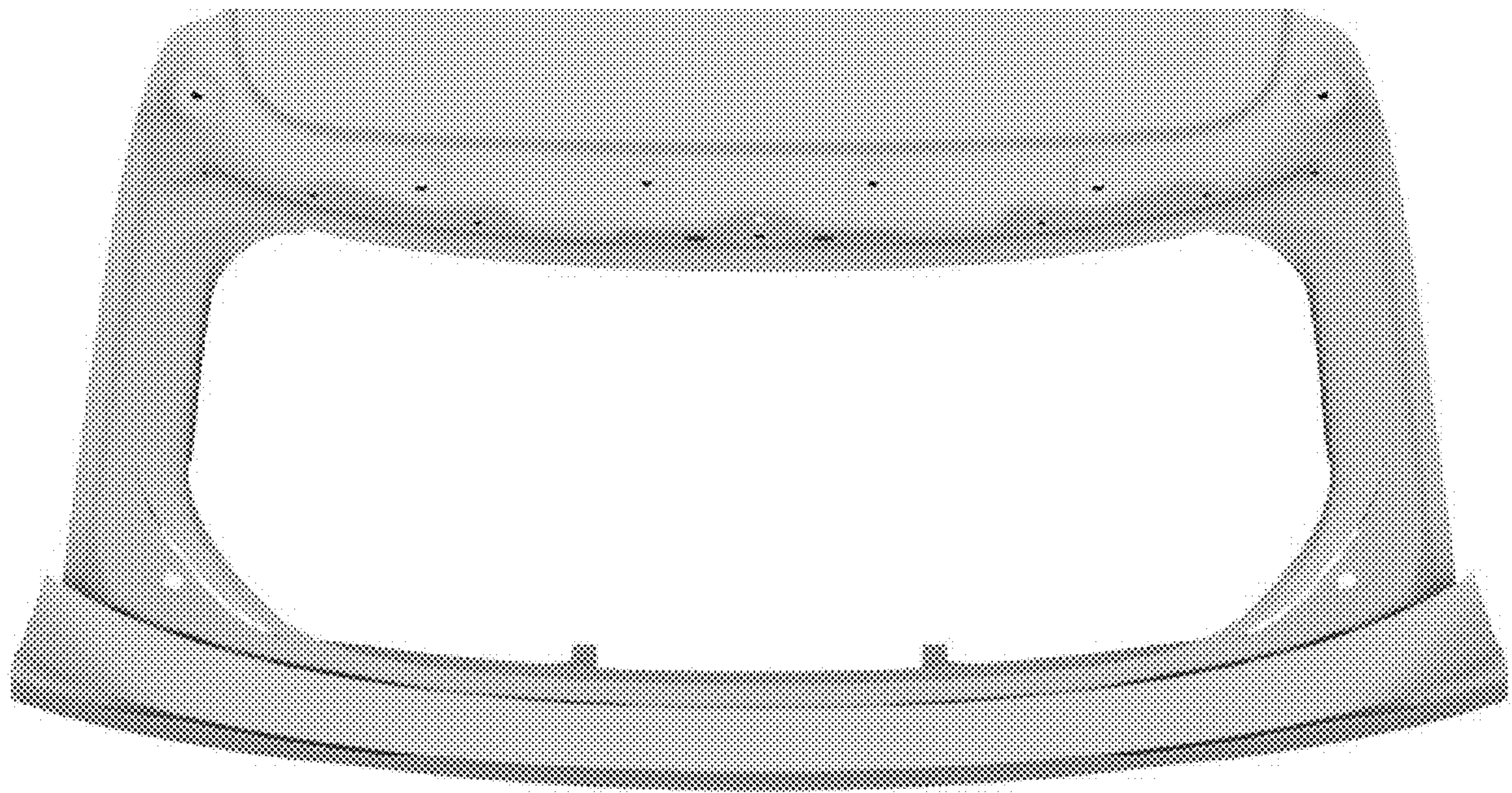


Fig. 8

