



US00D914566S

(12) **United States Design Patent**
Chidubem et al.

(10) **Patent No.:** **US D914,566 S**
(45) **Date of Patent:** **** Mar. 30, 2021**

(54) **EXHAUST TAIL PIPE FILTER**

Primary Examiner — Kathleen L Jones

(74) *Attorney, Agent, or Firm* — Blank Rome LLP

(71) Applicants: **Raphael Koroma Chidubem**,
Richmond, VA (US); **Aaron Darnell**
Chidubem, Richmond, VA (US)

(57) **CLAIM**

The ornamental design for the exhaust tail pipe filter, as shown and described.

(72) Inventors: **Raphael Koroma Chidubem**,
Richmond, VA (US); **Aaron Darnell**
Chidubem, Richmond, VA (US)

(**) Term: **15 Years**

DESCRIPTION

(21) Appl. No.: **29/637,723**

(22) Filed: **Feb. 21, 2018**

Related U.S. Application Data

(63) Continuation-in-part of application No. 29/505,412,
filed on Oct. 20, 2015, now abandoned.

(51) **LOC (13) Cl.** **12-16**

(52) **U.S. Cl.**
USPC **D12/194**

(58) **Field of Classification Search**
USPC D12/185, 190, 194–199; D14/216;
D23/324

(Continued)

(56) **References Cited**

U.S. PATENT DOCUMENTS

1,758,809 A * 5/1930 Shoemaker B60R 1/005
359/527

D101,840 S * 11/1936 Koch, Jr. D12/194
(Continued)

OTHER PUBLICATIONS

Exhaust Filter Cuts Harmful Particles and Emissions, posted at
Luxury Coach & Transportation, posting date Jun. 10, 2011. Site
visited Oct. 10, 2019. URL: <[https://www.ictmag.com/news/40081/
exhaust-filter-cuts-harmful-particles-and-emissions](https://www.ictmag.com/news/40081/exhaust-filter-cuts-harmful-particles-and-emissions)> (Year: 2011).*

(Continued)

FIG. 1 is a perspective view of an exhaust tail pipe filter in
accordance with a first embodiment of the present design;
FIG. 2 is a front perspective view of the exhaust tail pipe
filter in accordance with the first embodiment of the present
design;

FIG. 3 is a front view of the exhaust tail pipe filter illustrated
in FIG. 2;

FIG. 4 is a rear view of the exhaust tail pipe filter illustrated
in FIG. 2;

FIG. 5 is a right side view of the exhaust tail pipe filter
illustrated in FIG. 2;

FIG. 6 is a left side view of the exhaust tail pipe filter
illustrated in FIG. 2;

FIG. 7 is a top plan view of the exhaust tail pipe filter
illustrated in FIG. 2;

FIG. 8 is a bottom plan view of the exhaust tail pipe filter
illustrated in FIG. 2;

FIG. 9 is a perspective view of an exhaust tail pipe filter in
accordance with a second embodiment of the present design;

FIG. 10 is a front view of the exhaust tail pipe filter
illustrated in FIG. 9;

FIG. 11 is a rear view of the exhaust tail pipe filter illustrated
in FIG. 9;

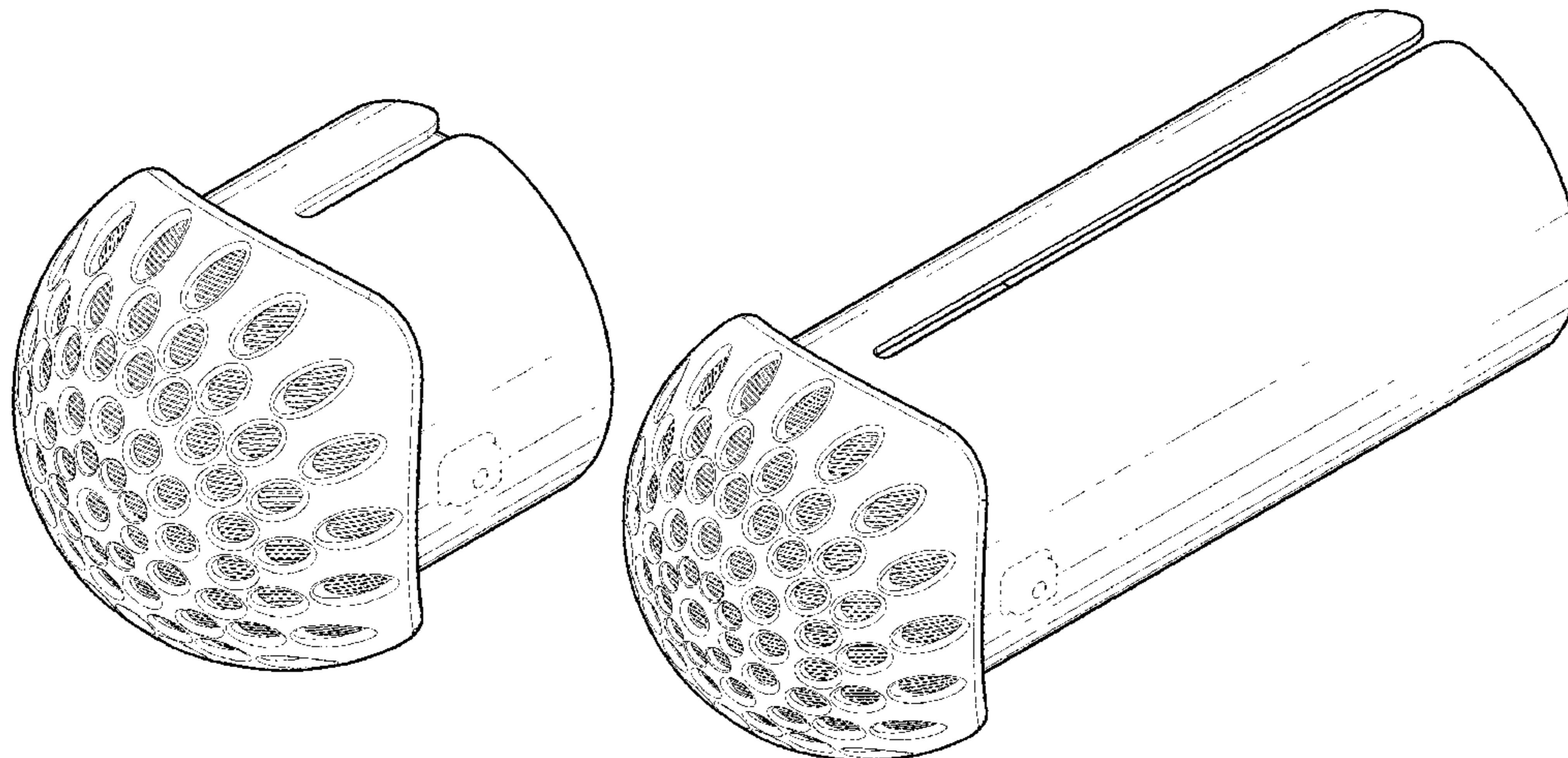
FIG. 12 is a right side view of the exhaust tail pipe filter
illustrated in FIG. 9;

FIG. 13 is a left side view of the exhaust tail pipe filter
illustrated in FIG. 9;

FIG. 14 is a top plan view of the exhaust tail pipe filter
illustrated in FIG. 9; and,

FIG. 15 is a bottom plan view of the exhaust tail pipe filter
illustrated in FIG. 9.

(Continued)



The broken lines showing a vehicle muffler in FIG. 1 are included to show environmental structure; all other broken lines show portions of the article; all broken lines form no part of the claimed design.

1 Claim, 9 Drawing Sheets

(58) **Field of Classification Search**

CPC B60K 13/04; B60K 13/06; B60K 11/08;
B60K 11/085

See application file for complete search history.

(56) **References Cited**

U.S. PATENT DOCUMENTS

D199,046 S * 9/1964 Felske D28/18
3,187,834 A * 6/1965 Cassilly F01N 1/00
181/283
D360,178 S * 7/1995 Thomas D12/194
D374,647 S * 10/1996 Capra D12/194
D413,296 S * 8/1999 Hussaini D12/194
6,010,549 A * 1/2000 Higashi F01N 3/06
55/385.3
6,047,739 A * 4/2000 Nixon B65D 59/06
138/110
6,085,863 A * 7/2000 Shuen F01N 13/082
181/227

D464,597 S * 10/2002 Bassani D12/194
D465,181 S * 11/2002 Wang D12/194
D467,210 S * 12/2002 Yu D12/194
D534,111 S * 12/2006 Wannamaker D12/194
D535,732 S * 1/2007 Klopp, III D12/195
D545,743 S * 7/2007 Pacini D12/194
D584,670 S * 1/2009 Kaucher D12/194
8,590,661 B1 * 11/2013 Johnson, Jr. F01N 13/082
180/309
D751,479 S * 3/2016 Nagano D12/194
D767,456 S * 9/2016 Finnie D12/194
D802,507 S * 11/2017 Ochoa D12/194
D832,756 S * 11/2018 Akrapovic D12/194
D852,697 S * 7/2019 Borla D12/194
D854,476 S * 7/2019 Akrapovic D12/194
D892,050 S * 8/2020 Hoshida D13/122
D895,684 S * 9/2020 O'Hare D15/5
2009/0152274 A1 * 6/2009 Shearn B60K 13/04
220/564
2013/0302108 A1 * 11/2013 Spencer A47G 3/00
411/372.6
2018/0370786 A1 * 12/2018 Zitkovic, Jr. B60K 13/04

OTHER PUBLICATIONS

Weaver, Scott, Understanding Diesel Exhaust Filters, posted at Tomorrow's Technician, posting date Nov. 7, 2017. Site visited Oct. 10, 2019. URL: <<https://www.tomorrowstechnician.com/understanding-diesel-exhaust-filters/>> (Year: 2017).*

* cited by examiner

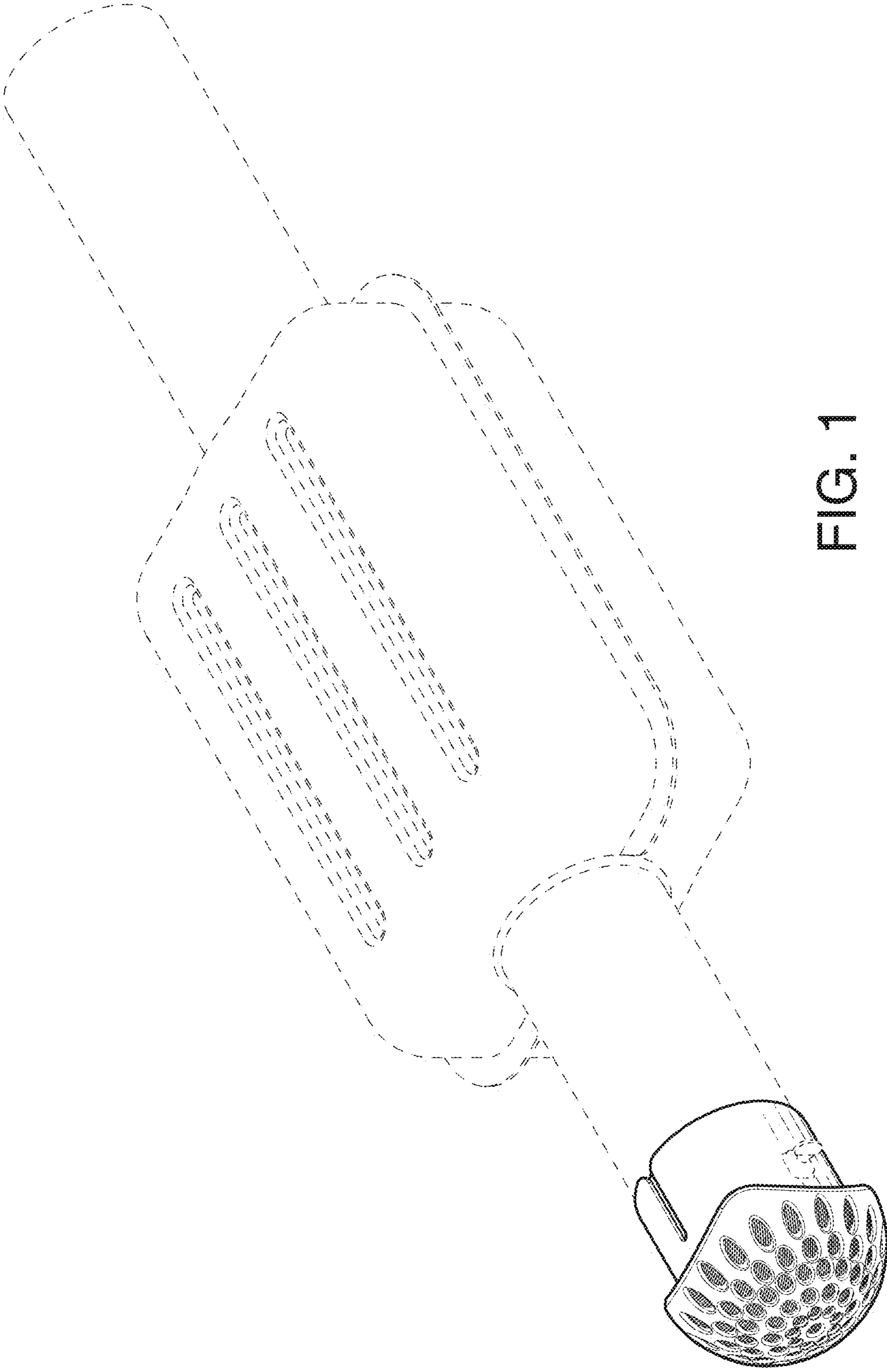


FIG. 1

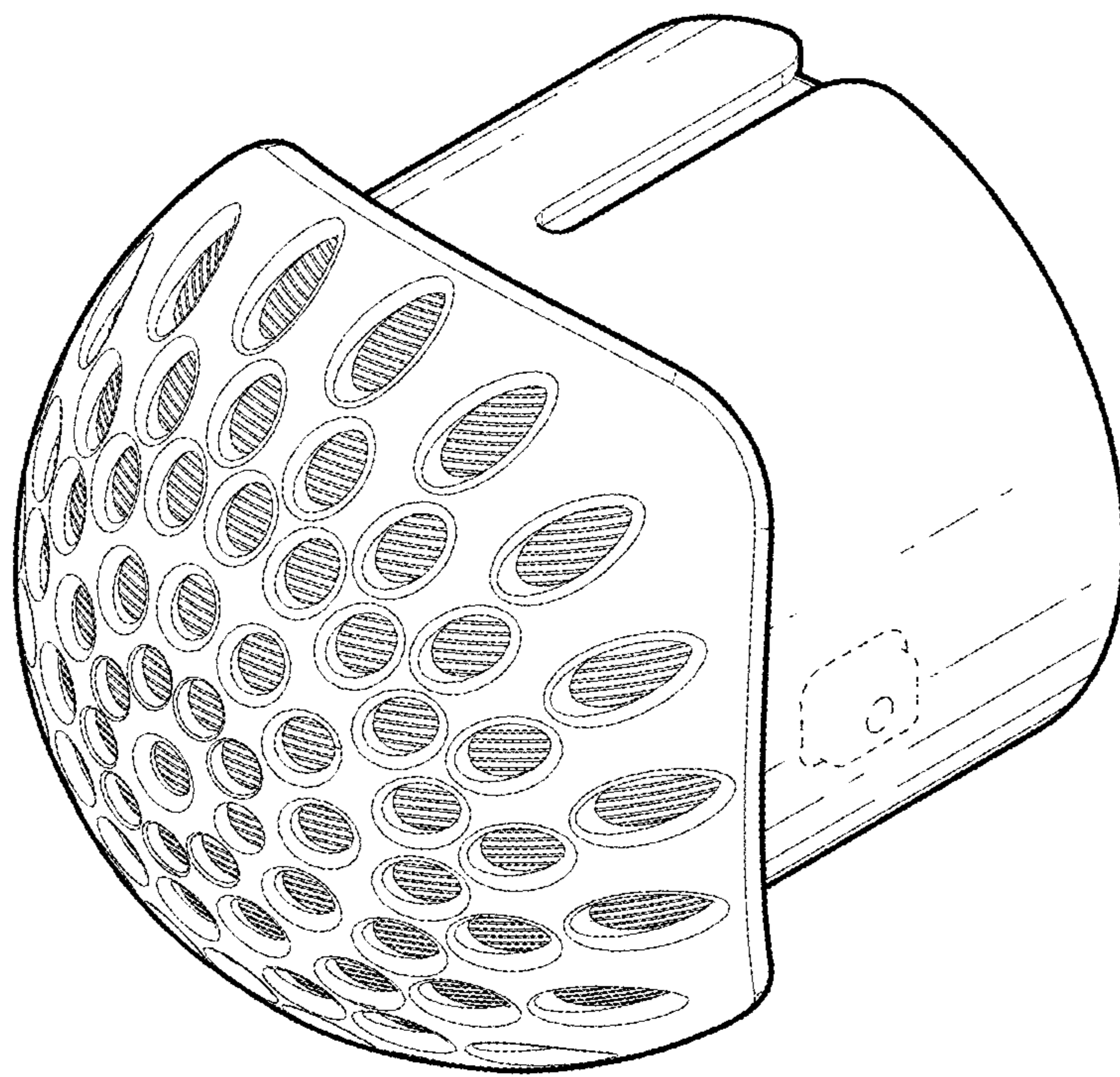


FIG. 2

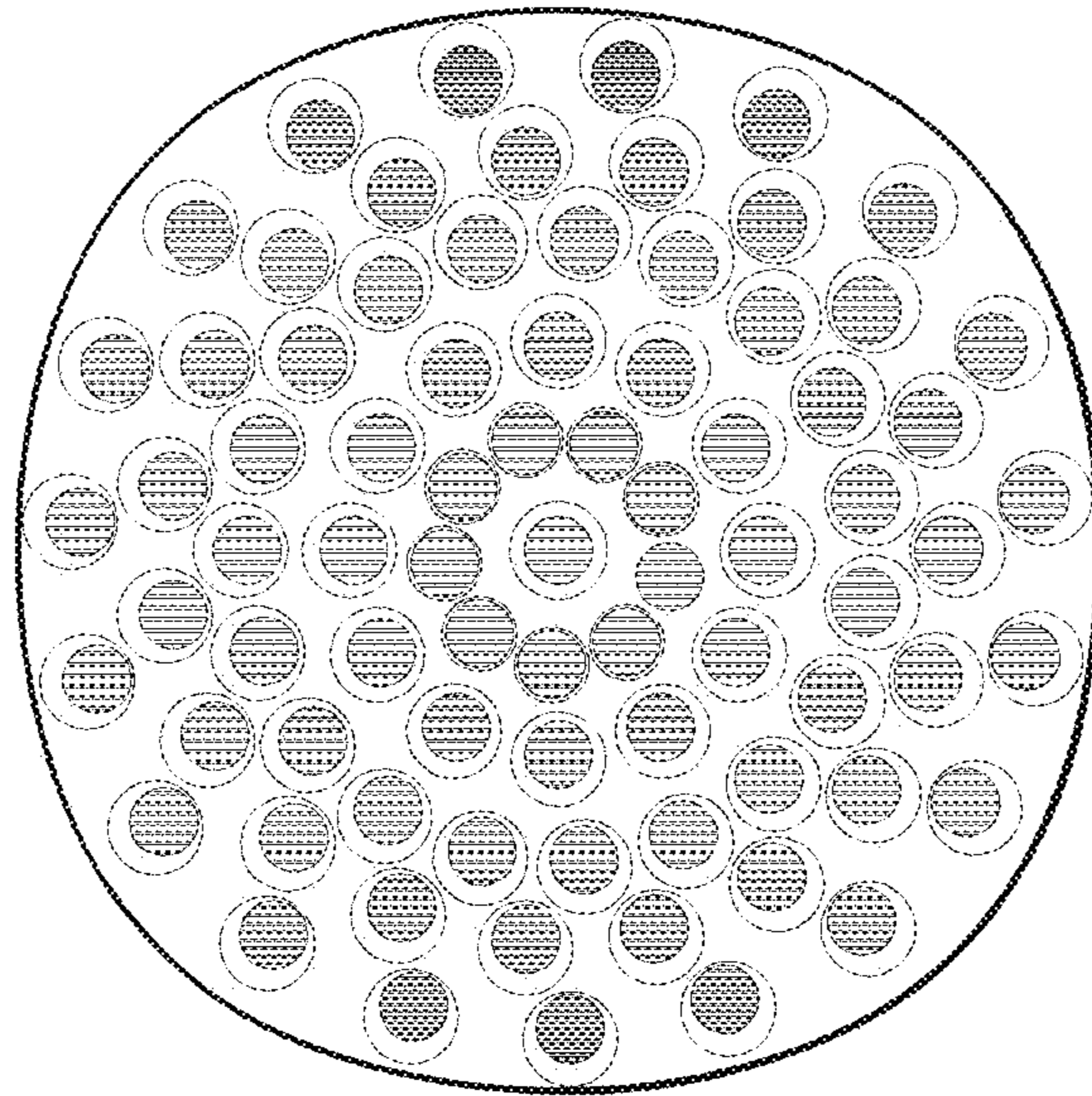


FIG. 3

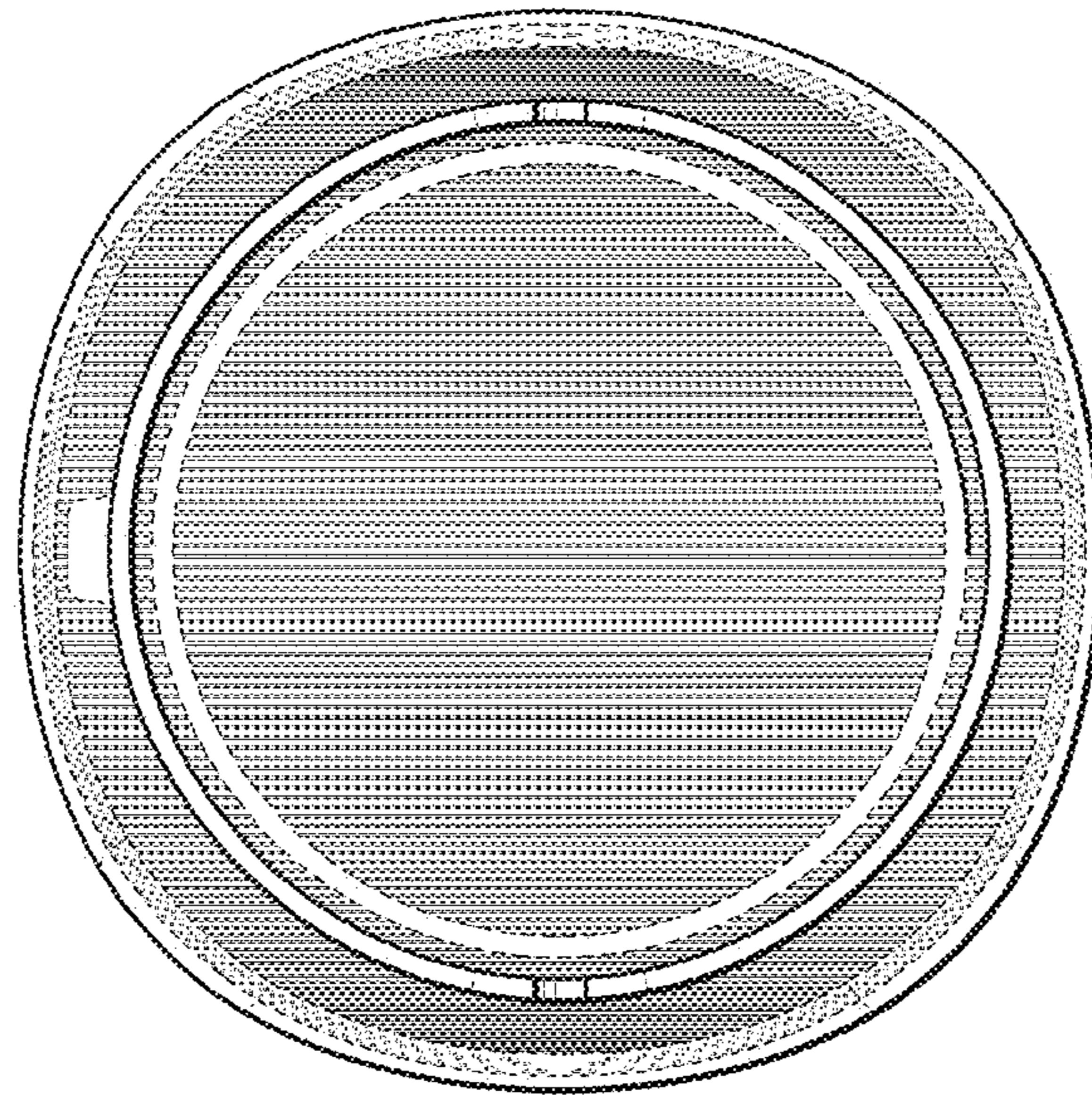


FIG. 4

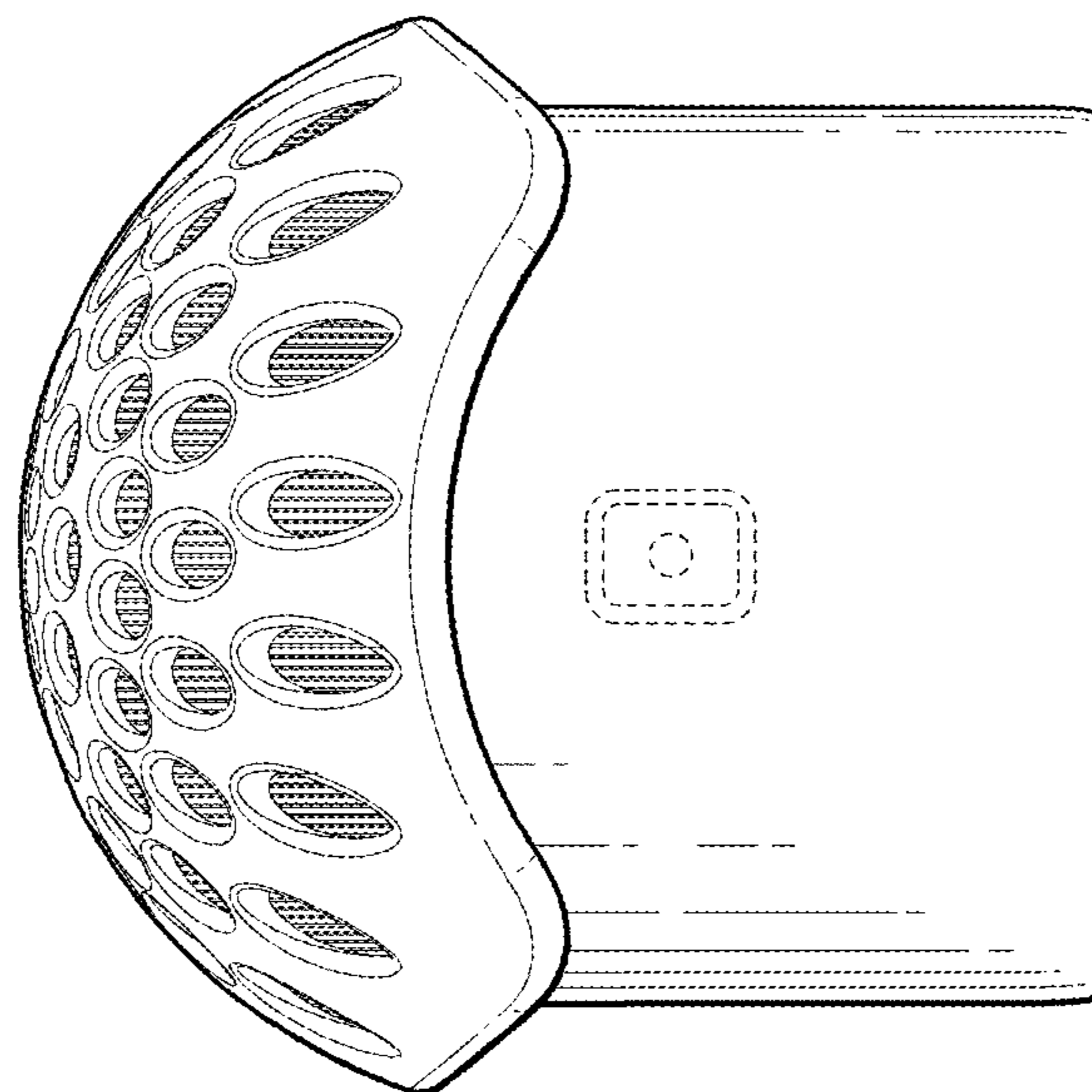


FIG. 5

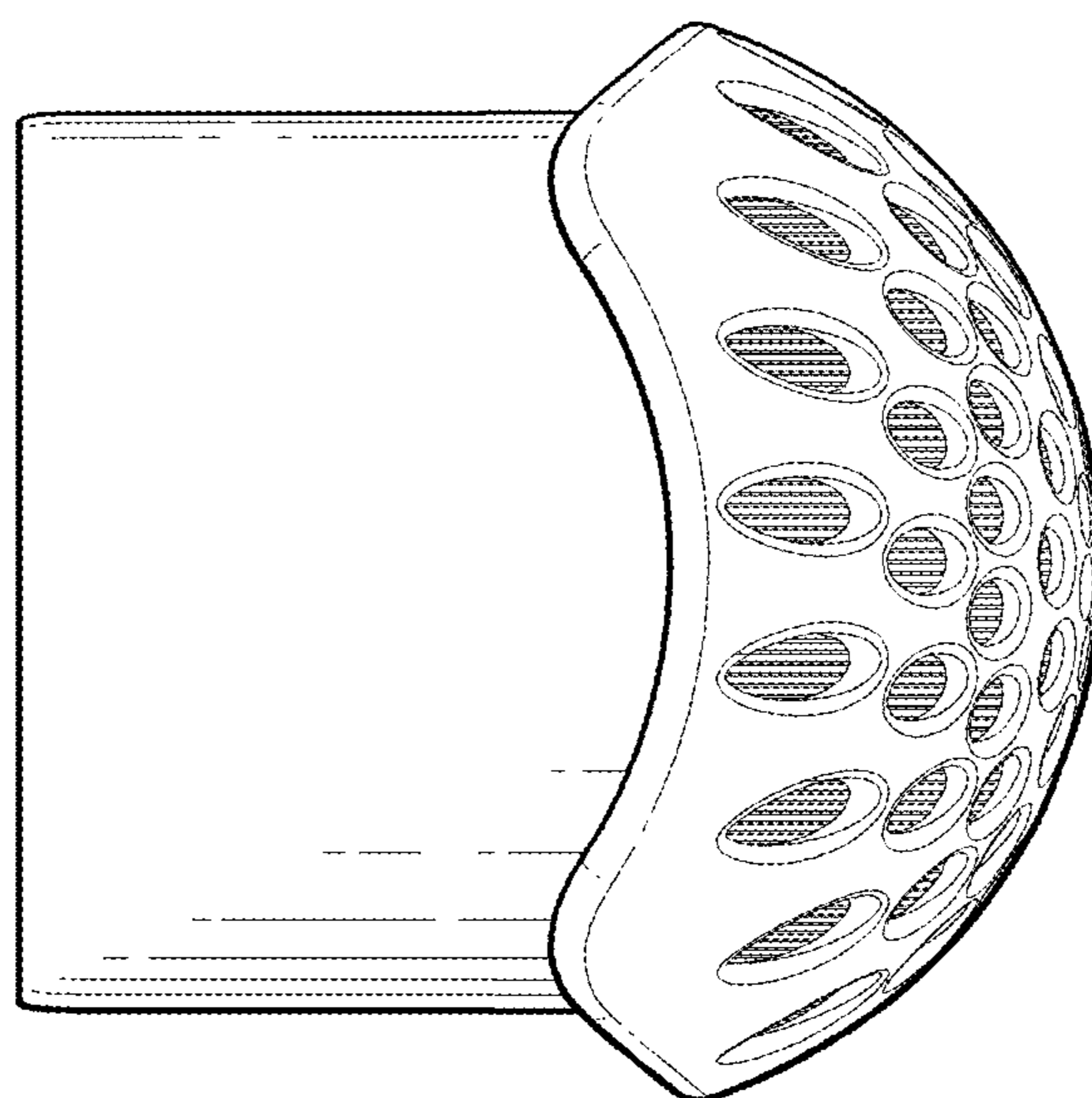


FIG. 6

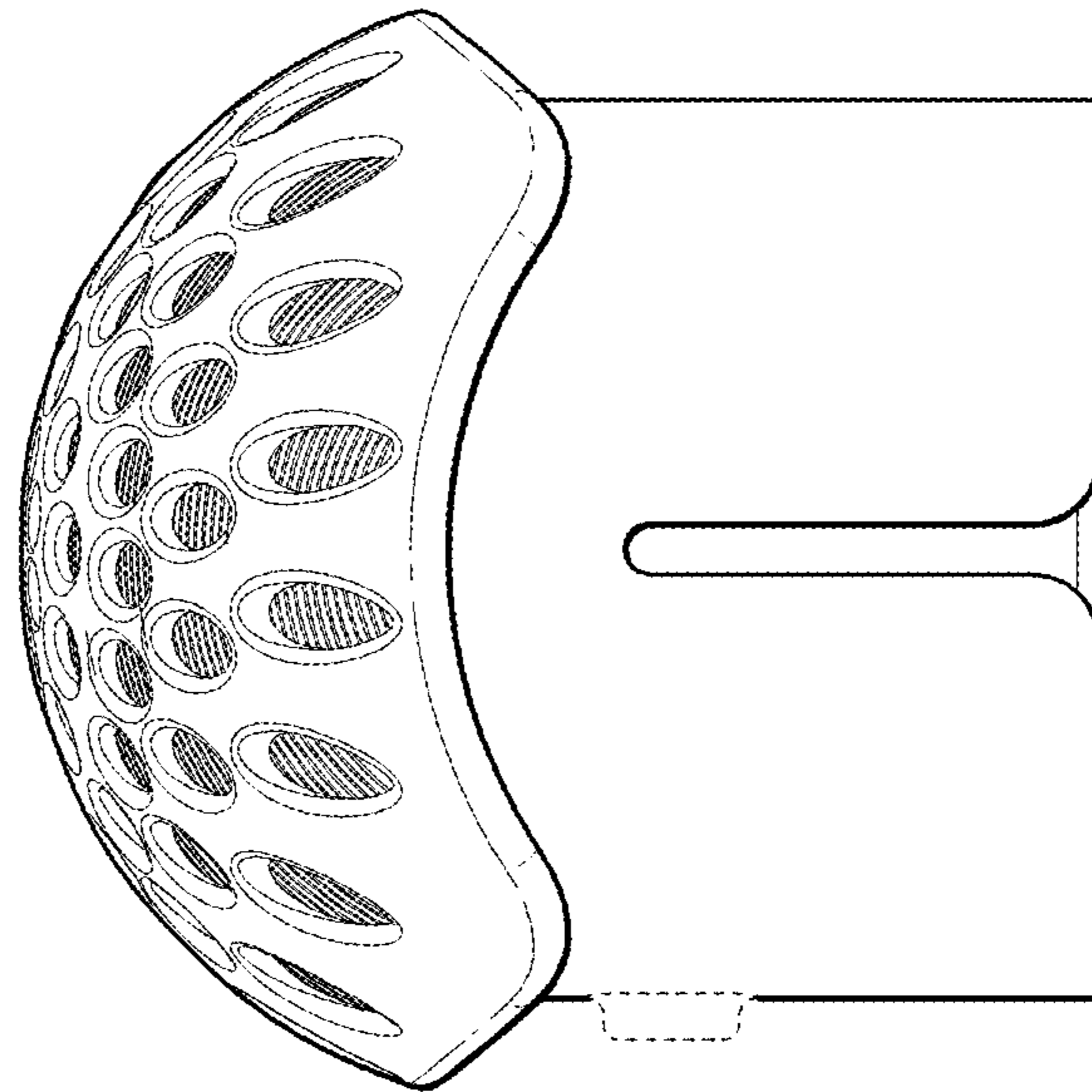


FIG. 7

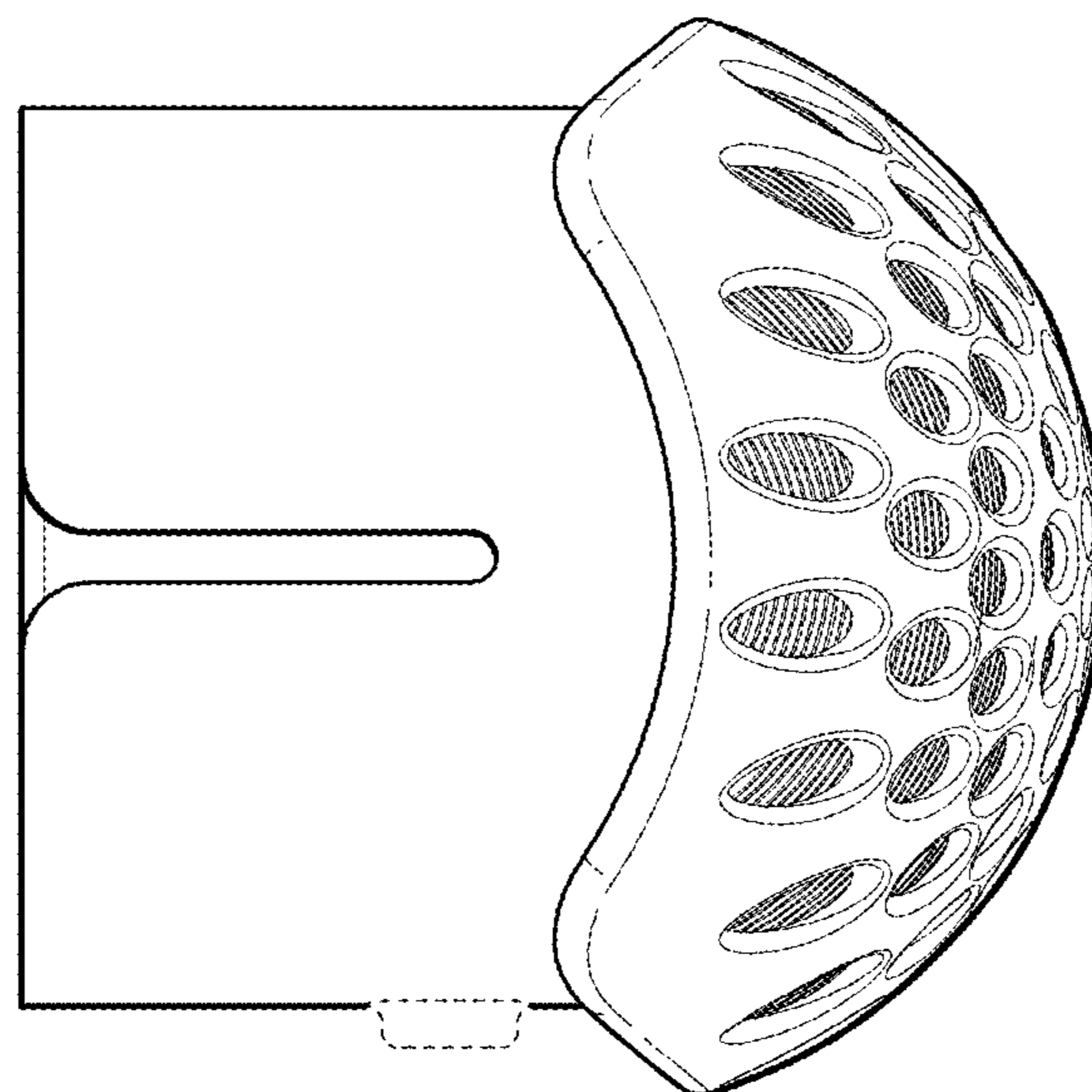


FIG. 8

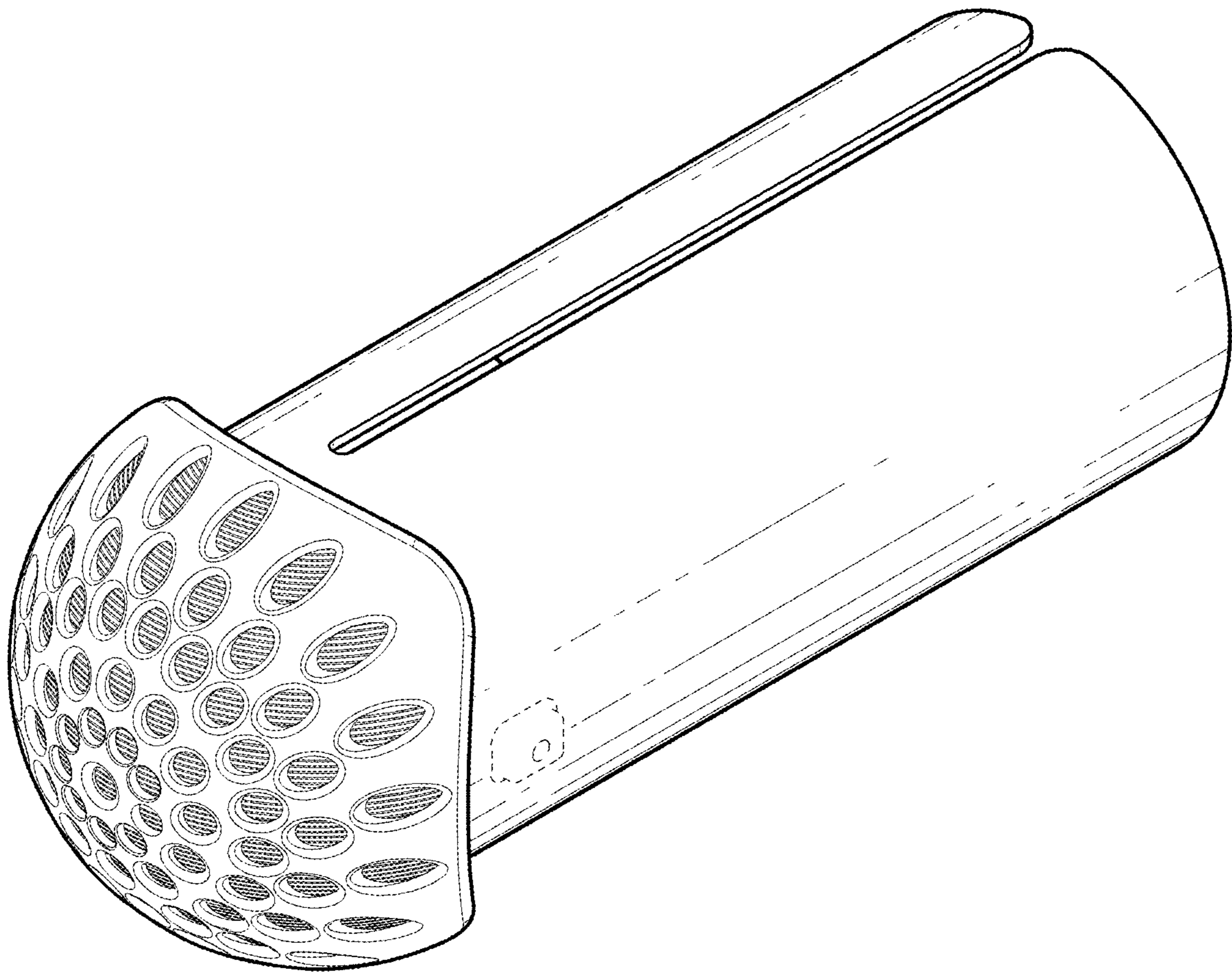


FIG. 9

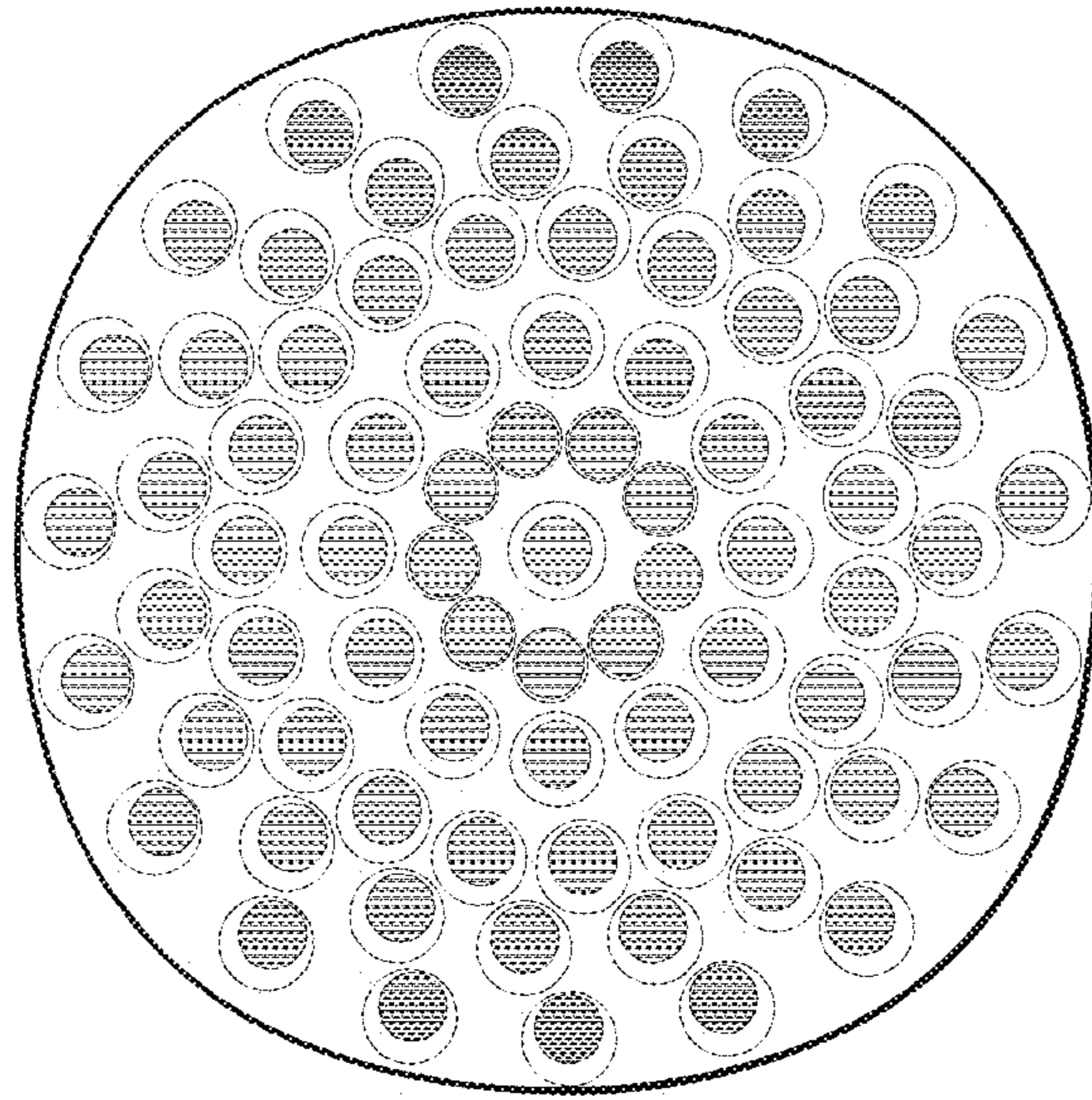


FIG. 10

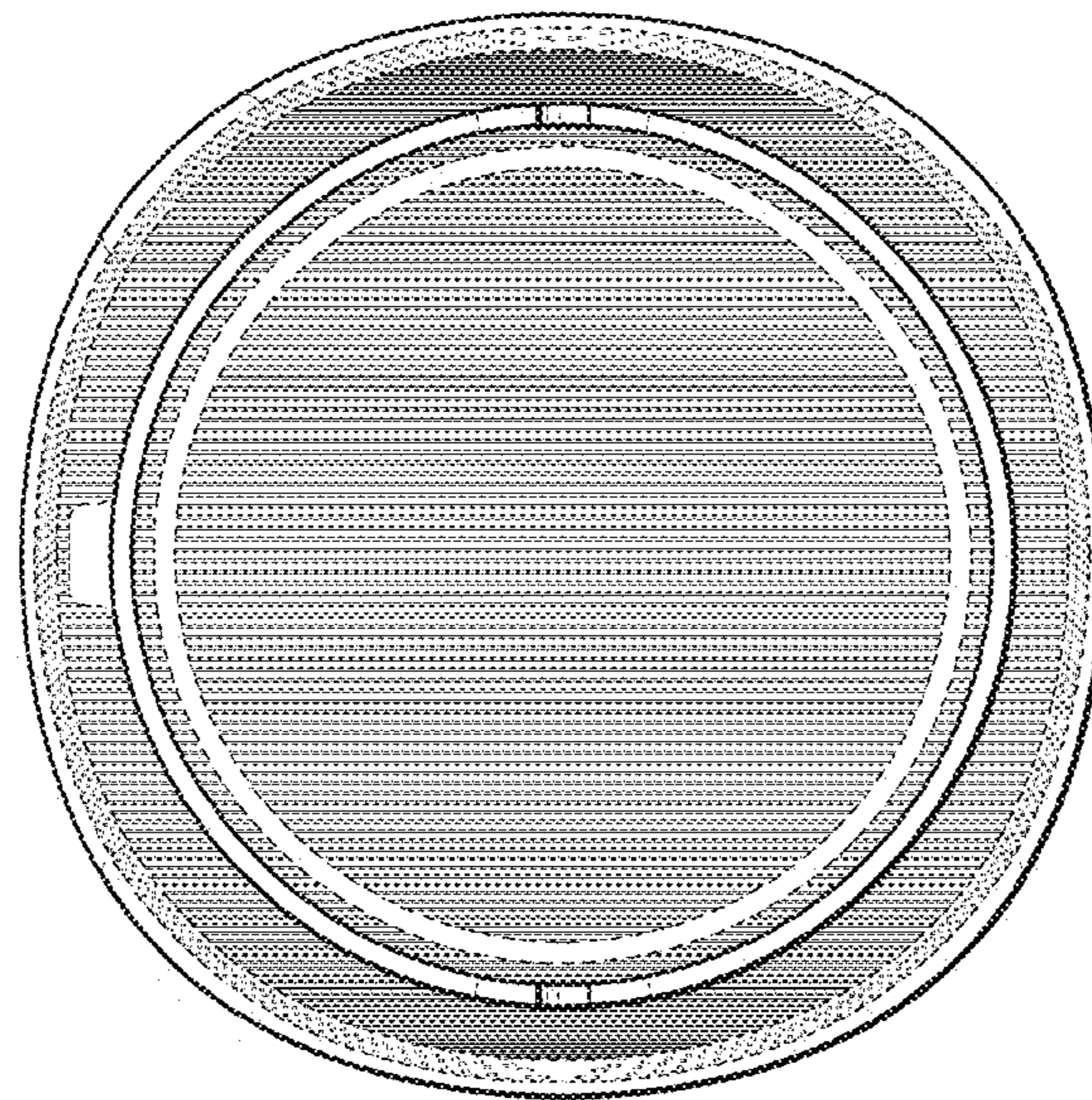


FIG. 11

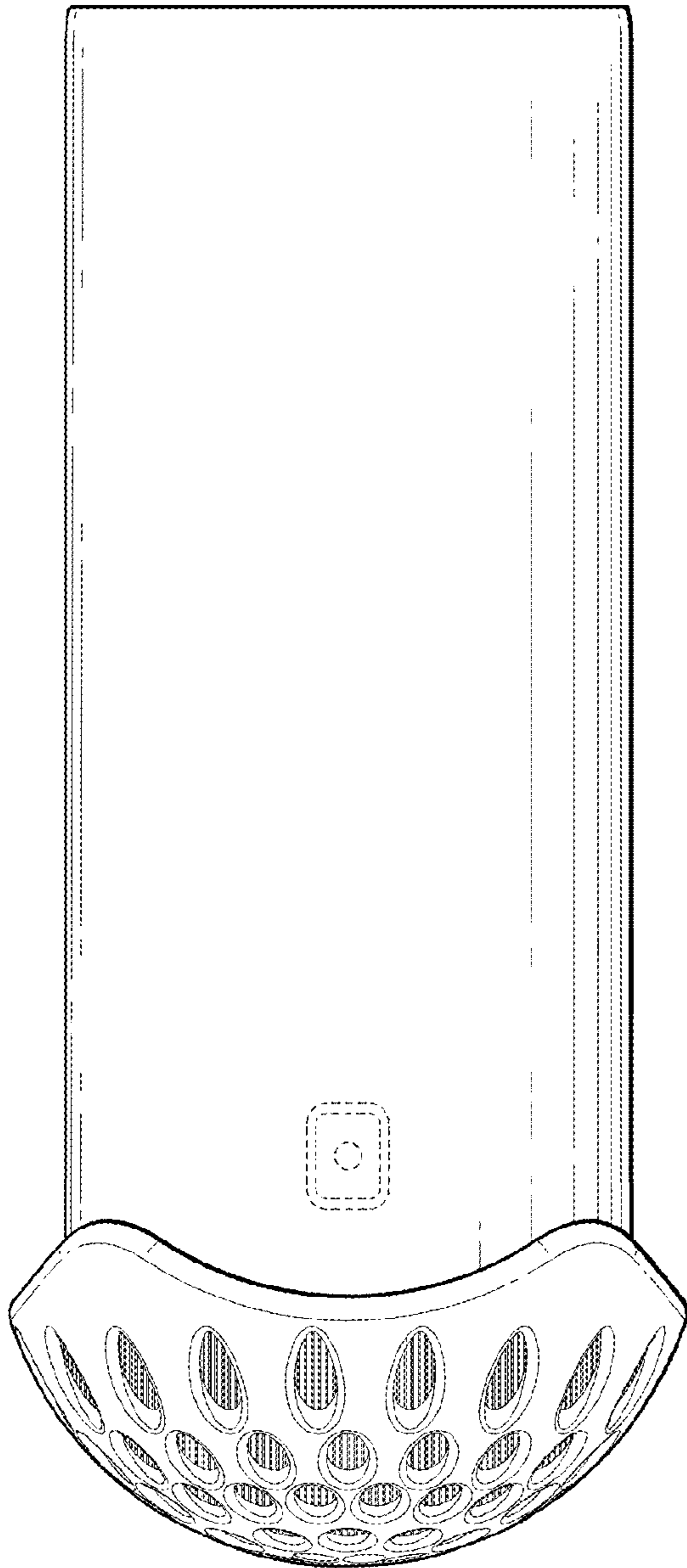


FIG. 12

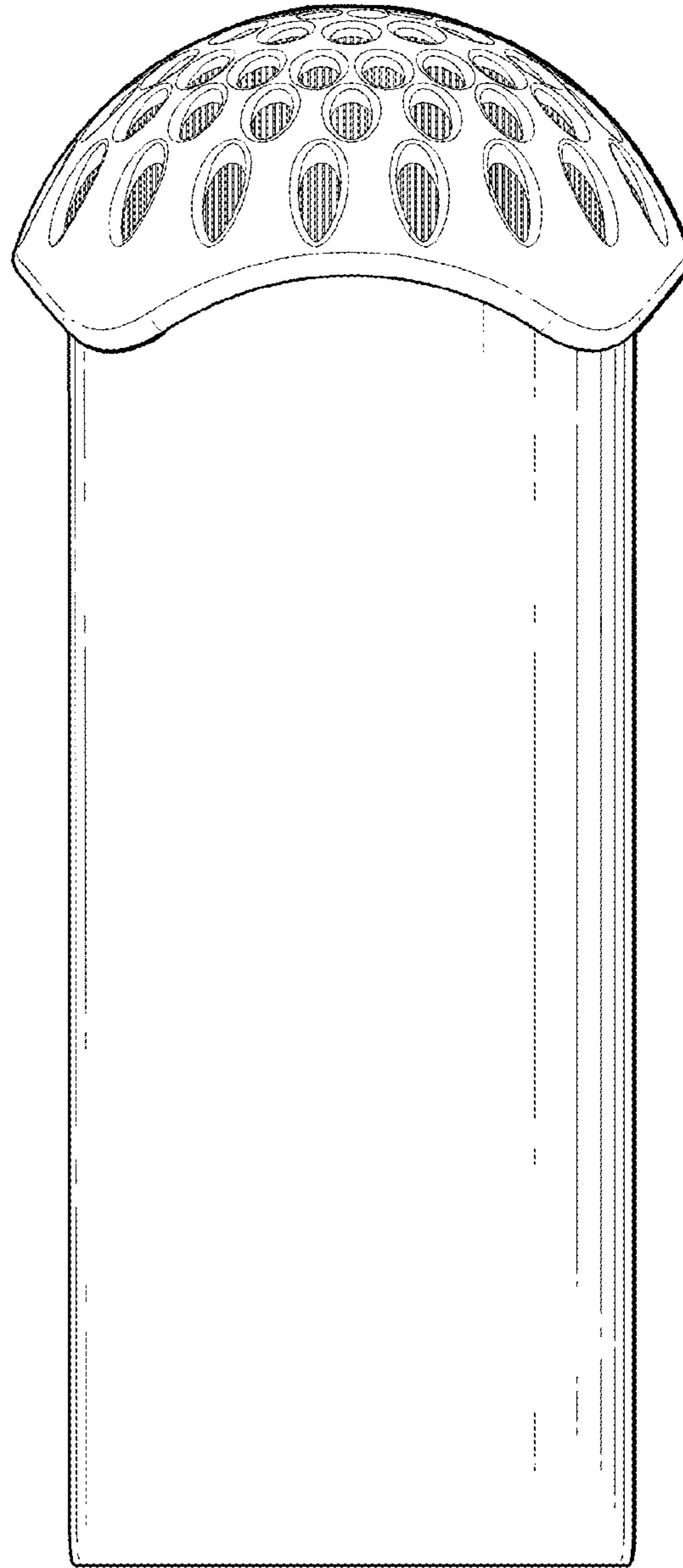


FIG. 13

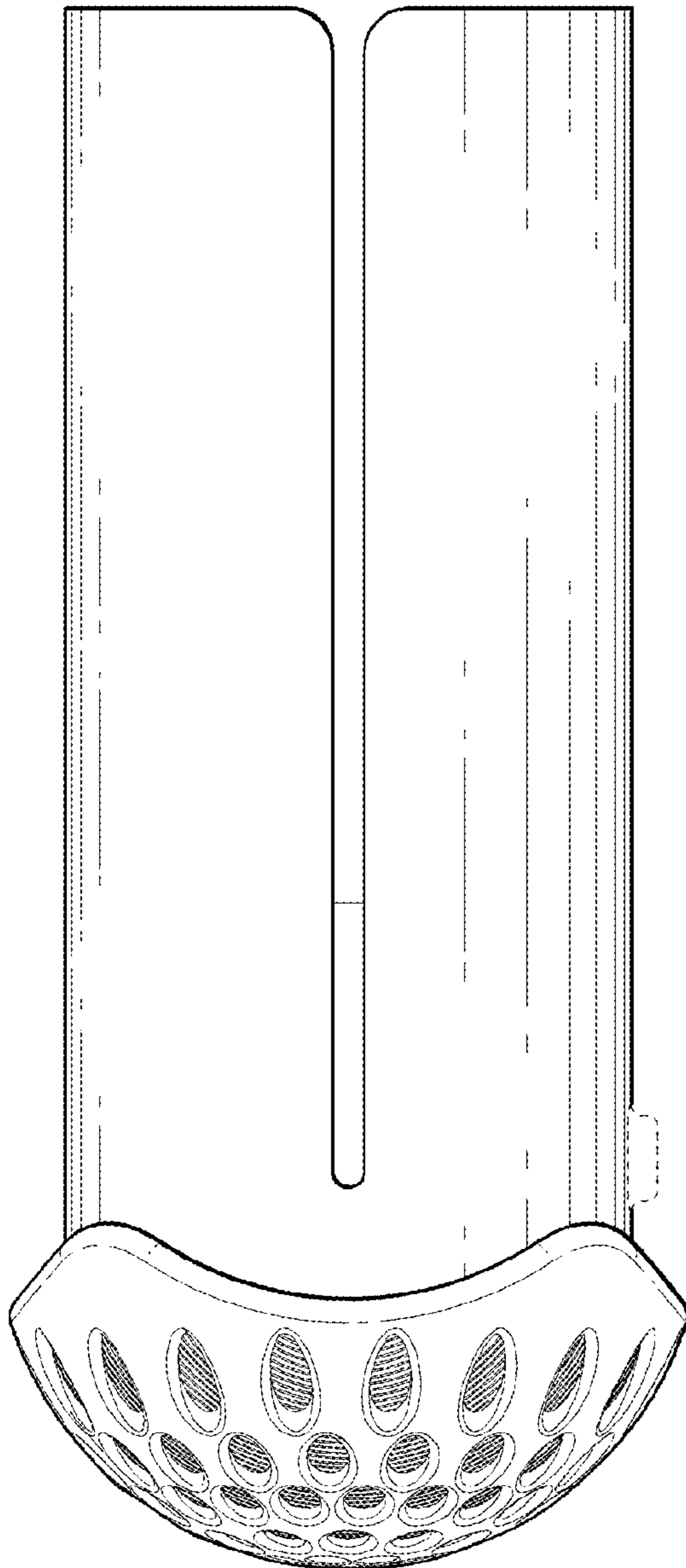


FIG. 14

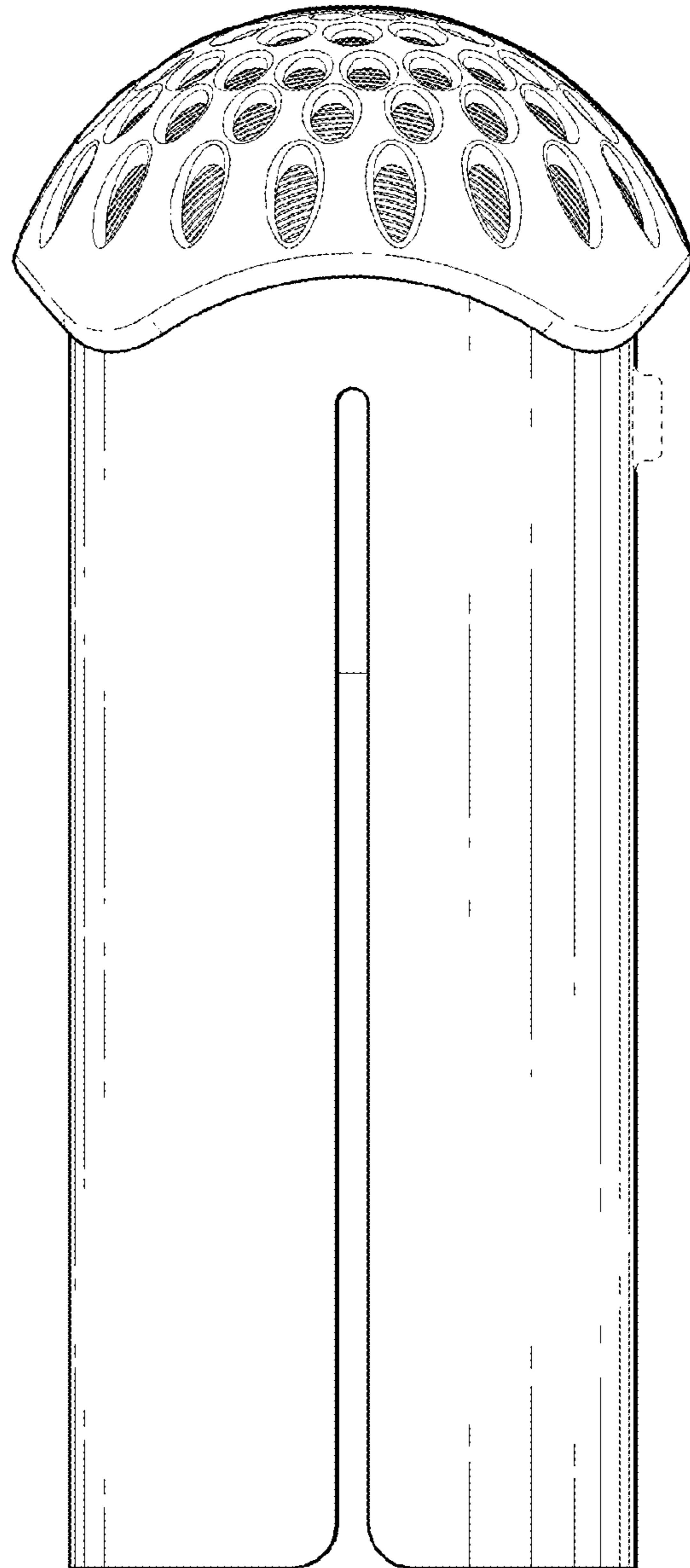


FIG. 15