



US00D914565S

(12) **United States Design Patent** (10) **Patent No.:** **US D914,565 S**
Guidoboni et al. (45) **Date of Patent:** **** Mar. 30, 2021**

(54) **OVERLAY FOR A VIDEO DISPLAY UNIT**

B60H 1/3457; B60H 2001/3464; B60H
2001/3471; B60H 2001/3478; B60H
2001/3485

(71) Applicant: **GE Aviation Systems LLC**, Grand Rapids, MI (US)

See application file for complete search history.

(72) Inventors: **Michael Francis Guidoboni**, Pinellas Park, FL (US); **Lauralee Grizzaffi**, Tampa, FL (US); **David Howard Carrillo**, Lutz, FL (US); **Sherif Fouad Ali**, Safety Harbor, FL (US); **Glen Roy Brickey**, Seminole, FL (US); **Timothy Wahl**, Bradenton, FL (US); **Mark Campbell**, Pinellas Park, FL (US)

(56) **References Cited**

U.S. PATENT DOCUMENTS

D497,485	S *	10/2004	Resultan	D6/300
6,842,122	B1	1/2005	Langner et al.		
D791,661	S *	7/2017	Sato	D12/192
D791,662	S *	7/2017	Sato	D12/192
D795,771	S *	8/2017	Bae	D12/192
D795,772	S *	8/2017	Bae	D12/192
D797,022	S *	9/2017	Kumagai	D12/192
D802,505	S *	11/2017	Bischoff	D12/192
D805,980	S *	12/2017	Lee	D12/192
2006/0256090	A1	11/2006	Huppi		
2006/0268500	A1 *	11/2006	Kuhn	G06F 1/1616 361/679.04
2010/0266992	A1	10/2010	Gregoire et al.		
2015/0220147	A1	8/2015	King et al.		

(73) Assignee: **GE Aviation Systems LLC**, Grand Rapids, MI (US)

(**) Term: **15 Years**

(21) Appl. No.: **29/673,524**

(22) Filed: **Dec. 14, 2018**

* cited by examiner

Primary Examiner — Katrina A Betton

(74) *Attorney, Agent, or Firm* — McGarry Bair PC

Related U.S. Application Data

(63) Continuation of application No. 29/549,257, filed on Dec. 21, 2015, now abandoned.

(51) **LOC (13) Cl.** **12-16**

(52) **U.S. Cl.**
USPC **D12/192**

(58) **Field of Classification Search**
USPC D12/192, 415, 418, 419, 110, 114, 345;
D15/17, 28; D10/46, 98, 102-103,
D10/122-127; D23/324
CPC B60H 1/34; B60H 1/3407; B60H 1/3414;
B60H 1/3421; B60H 1/3428; B60H
1/3435; B60H 1/3442; B60H 1/345;

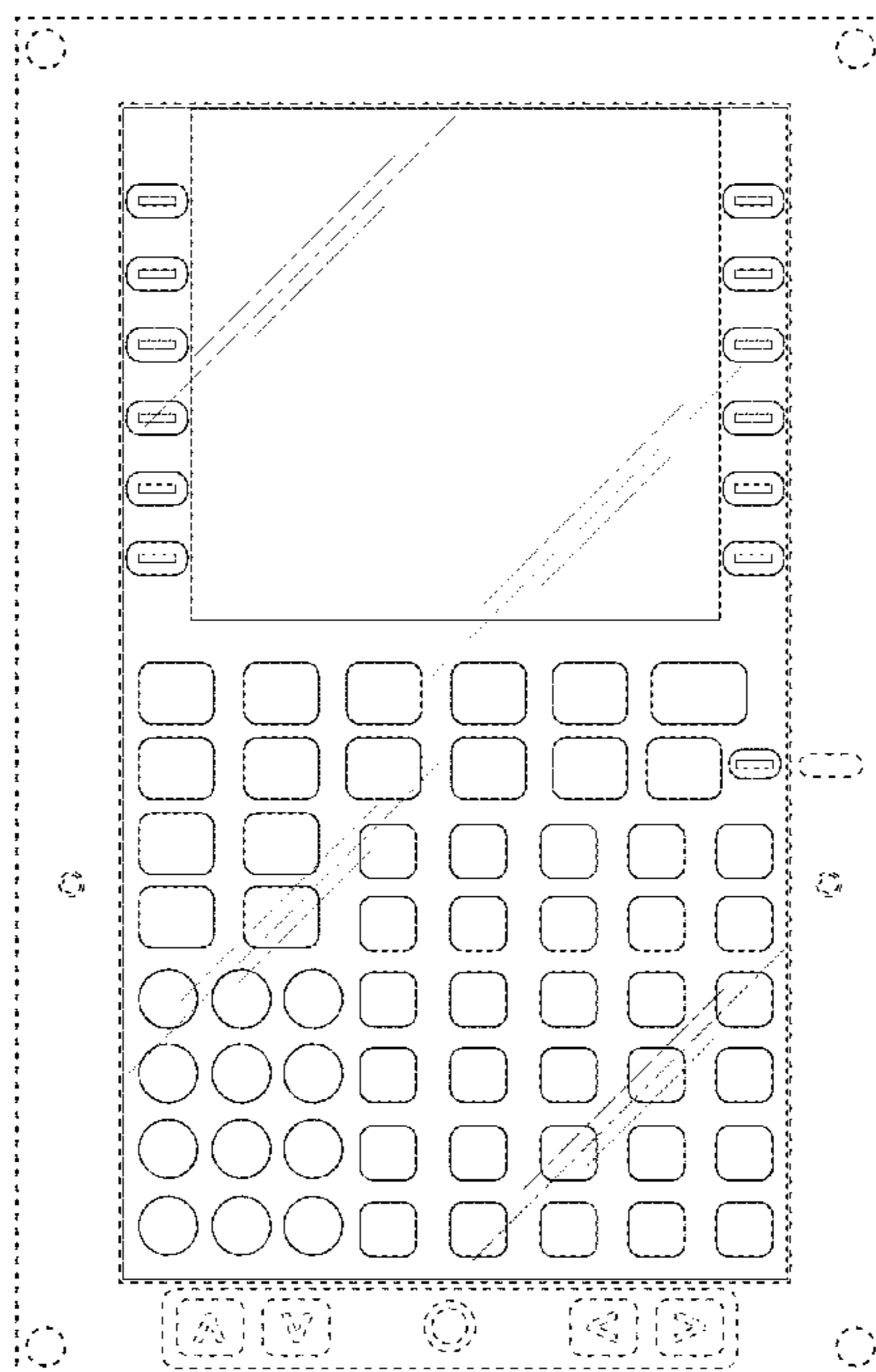
(57) **CLAIM**

The ornamental design for an overlay for a video display unit, as shown and described.

DESCRIPTION

FIG. 1 is a perspective view of an overlay for a video display unit showing our new design; and, FIG. 2 is a front view of the overlay of FIG. 1. Portions of the overlay for a video display unit shown in broken lines form no part of the claimed design.

1 Claim, 2 Drawing Sheets



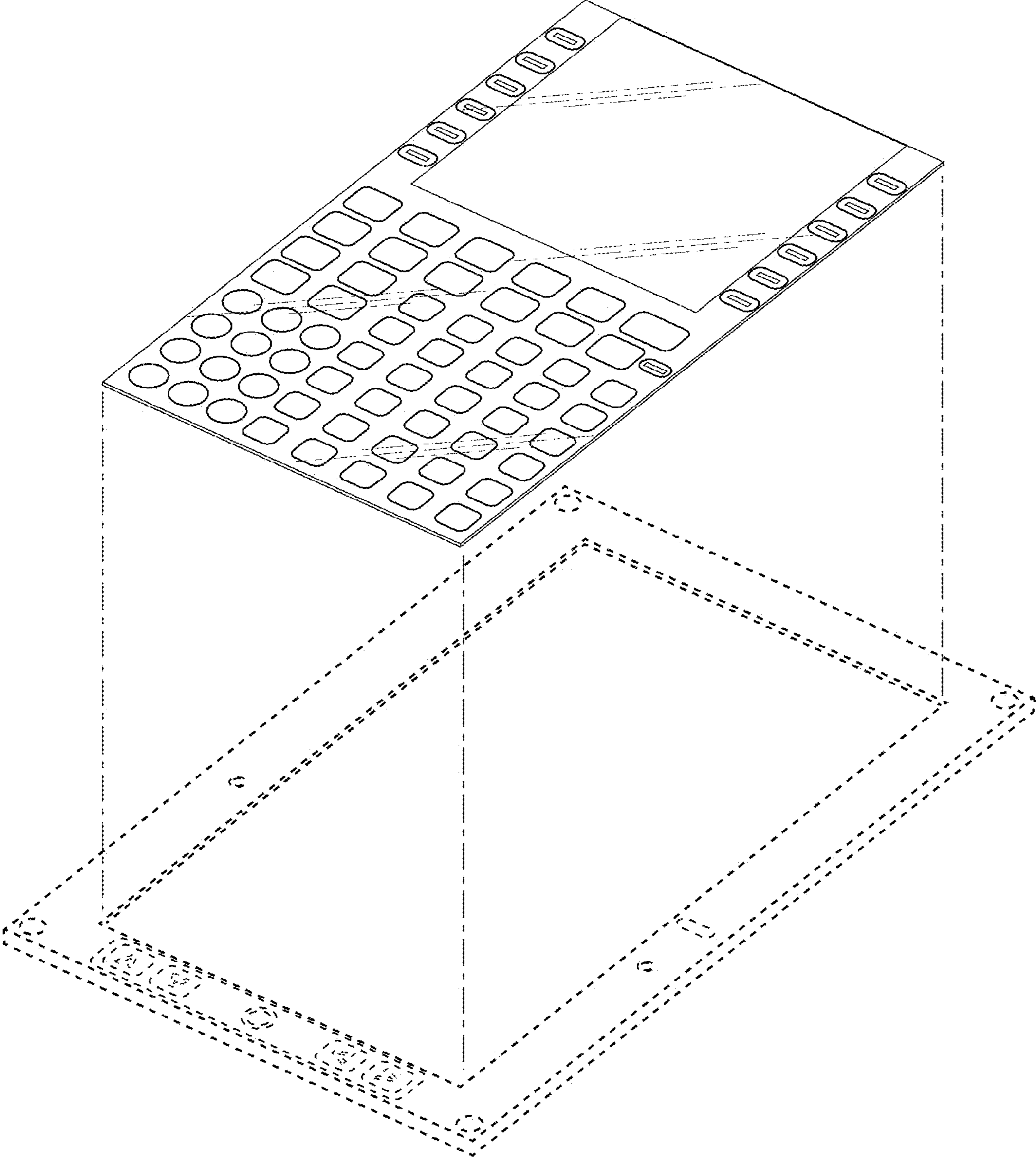


FIG. 1

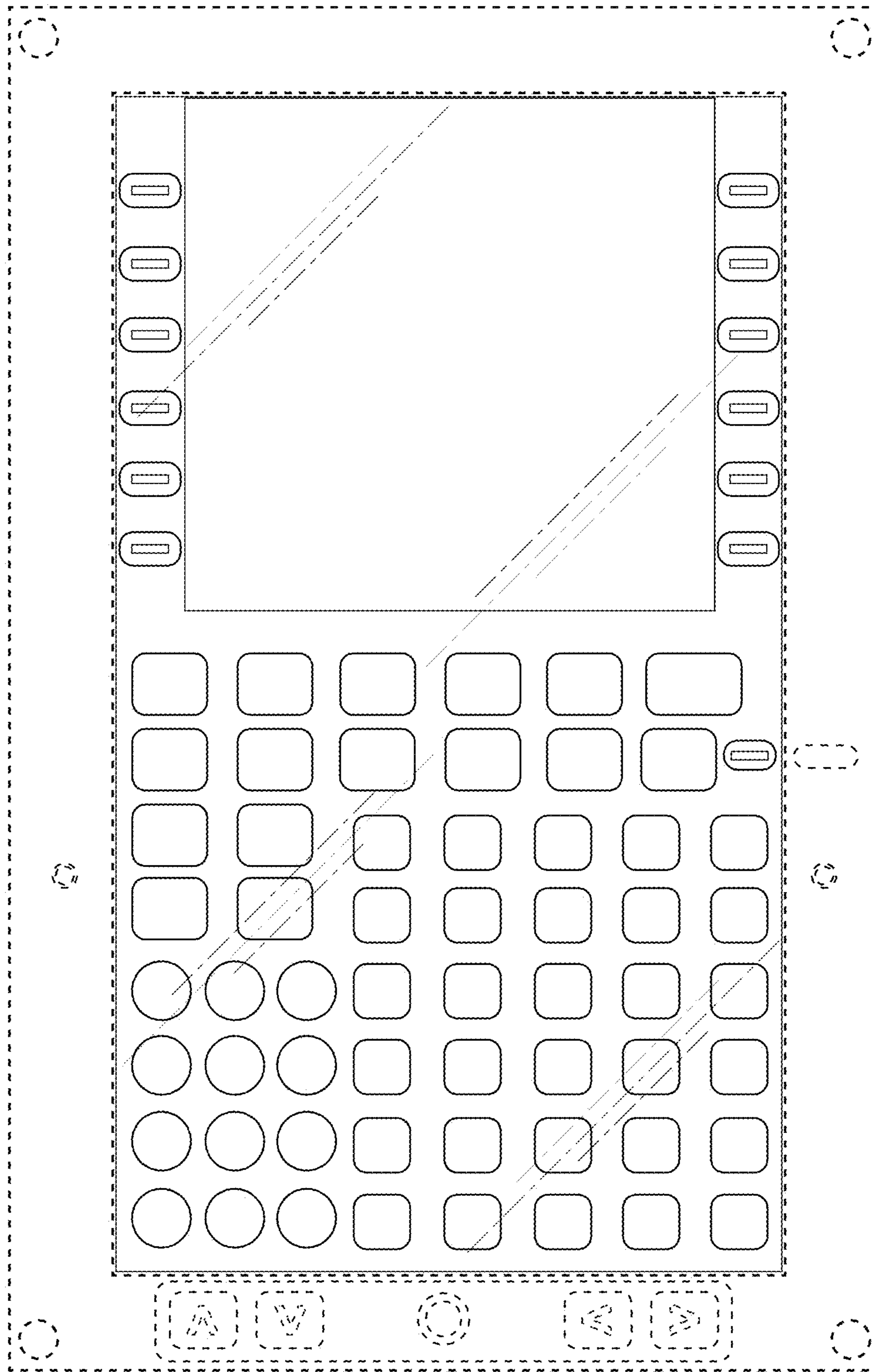


FIG. 2