



US00D914563S

(12) **United States Design Patent**
Triebold

(10) **Patent No.:** **US D914,563 S**

(45) **Date of Patent:** **** Mar. 30, 2021**

(54) **VEHICLE MIRROR**

(71) Applicant: **Mark Triebold**, Somerset, WI (US)

(72) Inventor: **Mark Triebold**, Somerset, WI (US)

(**) Term: **15 Years**

(21) Appl. No.: **29/624,036**

(22) Filed: **Oct. 30, 2017**

(51) **LOC (13) Cl.** **12-16**

(52) **U.S. Cl.**
USPC **D12/188**; D12/187; D12/189

(58) **Field of Classification Search**
USPC D12/114, 187, 188, 189; D6/300, 301,
D6/302, 303, 309; D22/118, 119, 120;
D7/649; D8/95, 96, 97, 98, 99; D21/568
CPC B60R 1/078; B60R 1/0605; B60R 1/06;
B60R 1/003; B60R 1/082; B60J 29/00;
B60D 1/36

See application file for complete search history.

(56) **References Cited**

U.S. PATENT DOCUMENTS

2,903,297	A *	9/1959	Zbikowski	B62J 29/00
					248/479
4,252,290	A *	2/1981	Willey	B62J 29/00
					248/549
D319,280	S *	8/1991	Crain	D22/118
D399,809	S *	10/1998	Leveille	D12/187
D406,088	S *	2/1999	Hanlon	D12/187
D426,182	S *	6/2000	Brown	D12/189
D473,617	S *	4/2003	Rae	D22/118
D508,883	S *	8/2005	Falconer	D12/189
D647,444	S *	10/2011	Manukyan	D12/187
D690,244	S *	9/2013	Suesse	D12/187
D716,208	S *	10/2014	Rigolio	D12/187
D716,209	S *	10/2014	Rigolio	D12/187

D746,407	S *	12/2015	Lu	D22/118
D782,948	S *	4/2017	Wu	D12/187
D796,932	S *	9/2017	Sung	D8/99
D839,788	S *	2/2019	Keller	D12/114
D846,288	S *	4/2019	Yang	D6/309
2004/0027699	A1 *	2/2004	Teague	B60D 1/36
					359/871

* cited by examiner

Primary Examiner — Susan E Krakower

Assistant Examiner — Jerry Shiuan-Hua Hsu

(74) *Attorney, Agent, or Firm* — Skinner and Associates;
Joel D. Skinner, Jr.

(57) **CLAIM**

The ornamental design for a vehicle mirror, as shown and described.

DESCRIPTION

FIG. 1 is a perspective view of a vehicle mirror showing an embodiment of the design of the invention.

FIG. 2 is a rear view thereof.

FIG. 3 is a front view thereof.

FIG. 4 is a bottom view thereof.

FIG. 5 is a top view thereof.

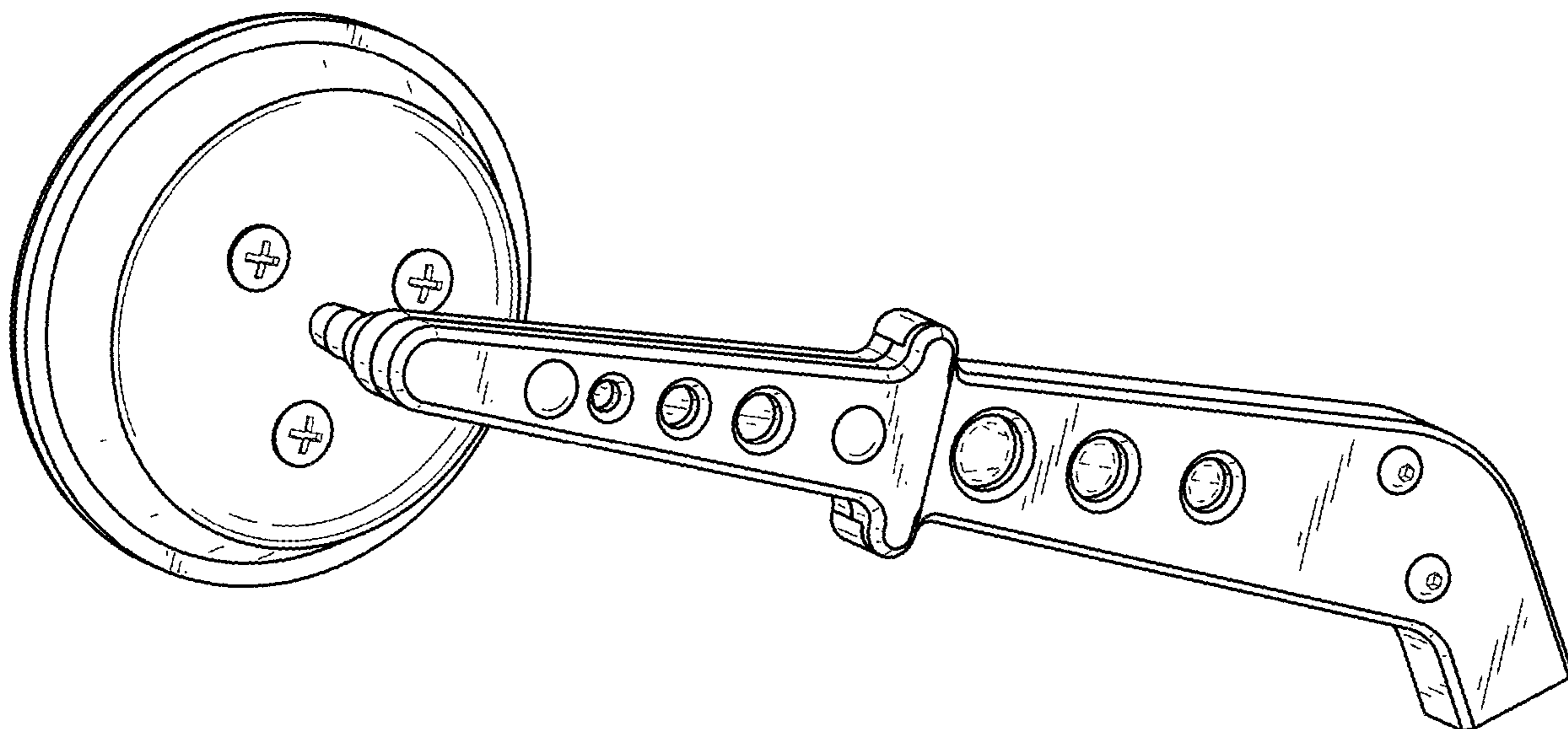
FIG. 6 is a side view thereof.

FIG. 7 is an opposite side view thereof; and,

FIG. 8 is a perspective view of the vehicle mirror of FIGS. 1-7, showing the vehicle mirror in use, and with the tool portion removed.

The broken lines showing portions of the vehicle mirror, form no part of the claimed design. The broken lines illustrating a motorcycle, in FIG. 8, depict environmental structure that forms no part of the claimed design.

1 Claim, 5 Drawing Sheets



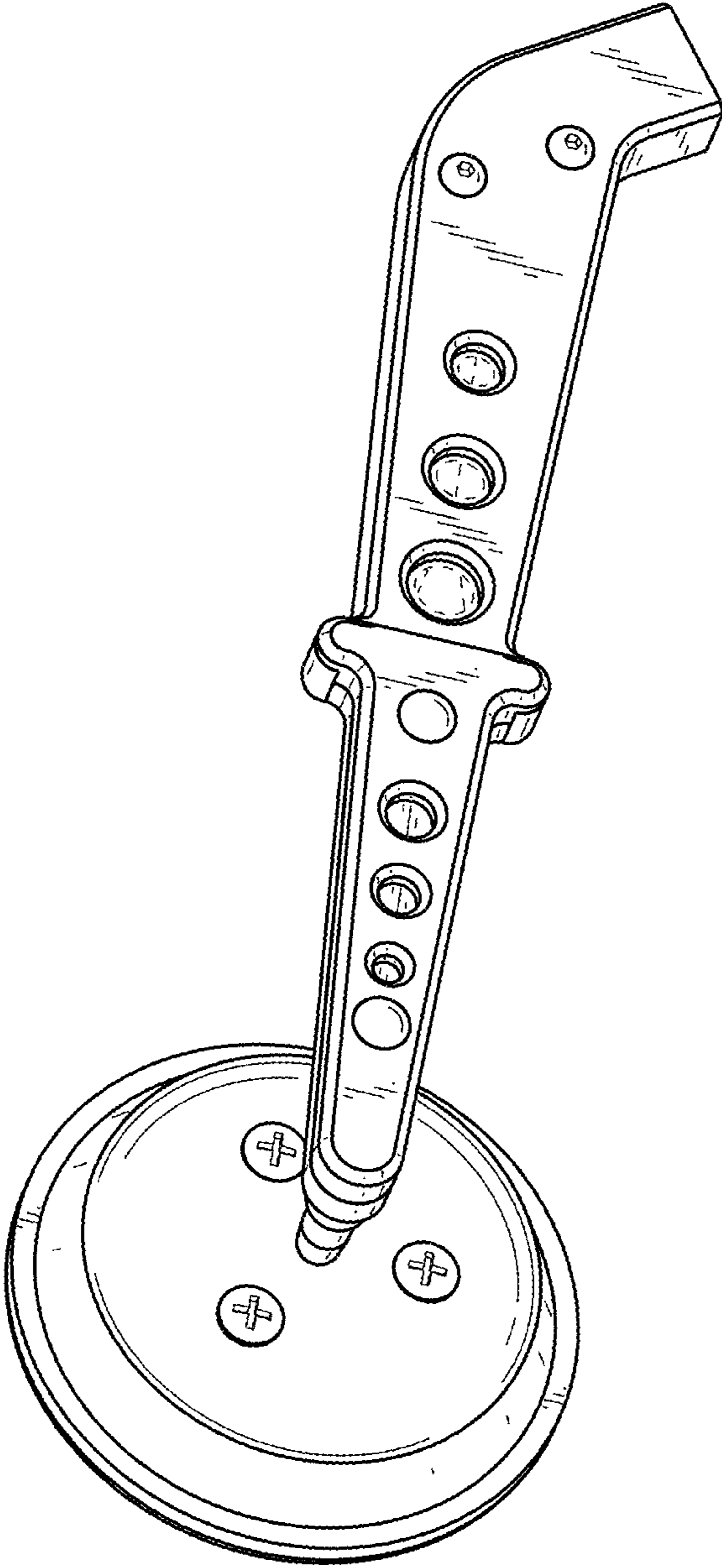


FIG. 1

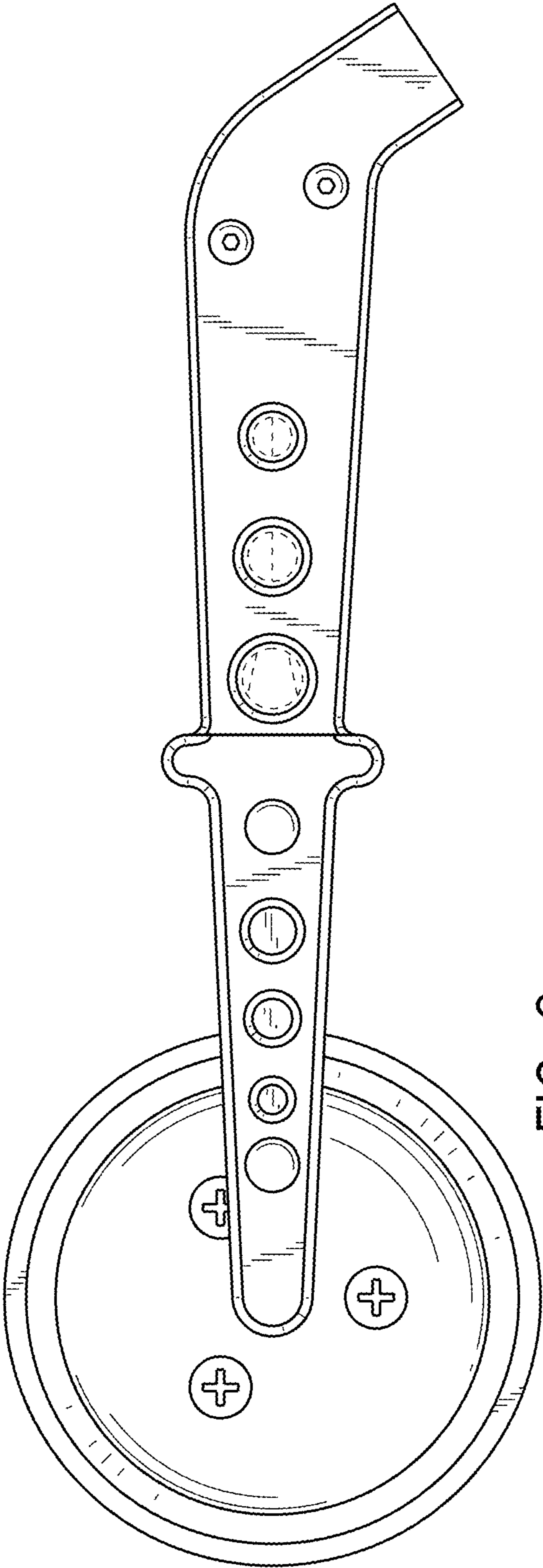


FIG. 2

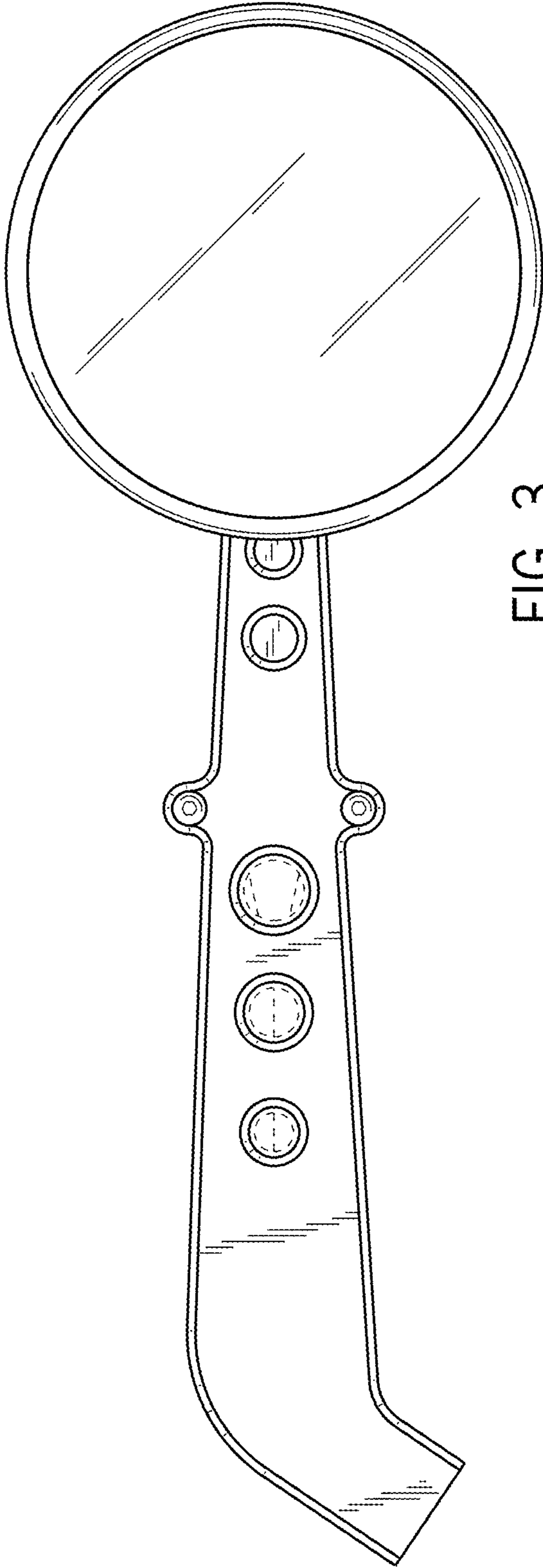


FIG. 3

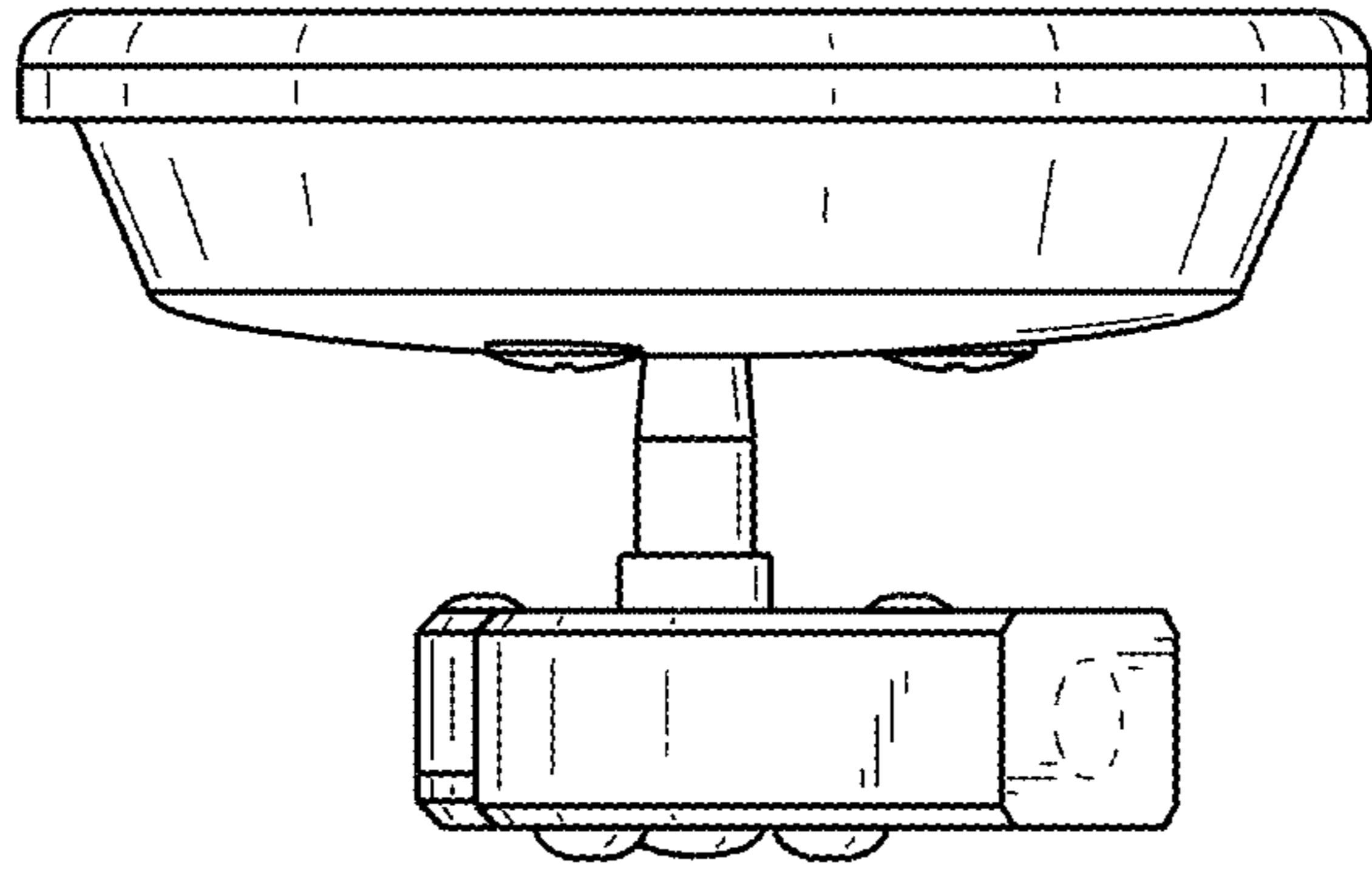


FIG. 5

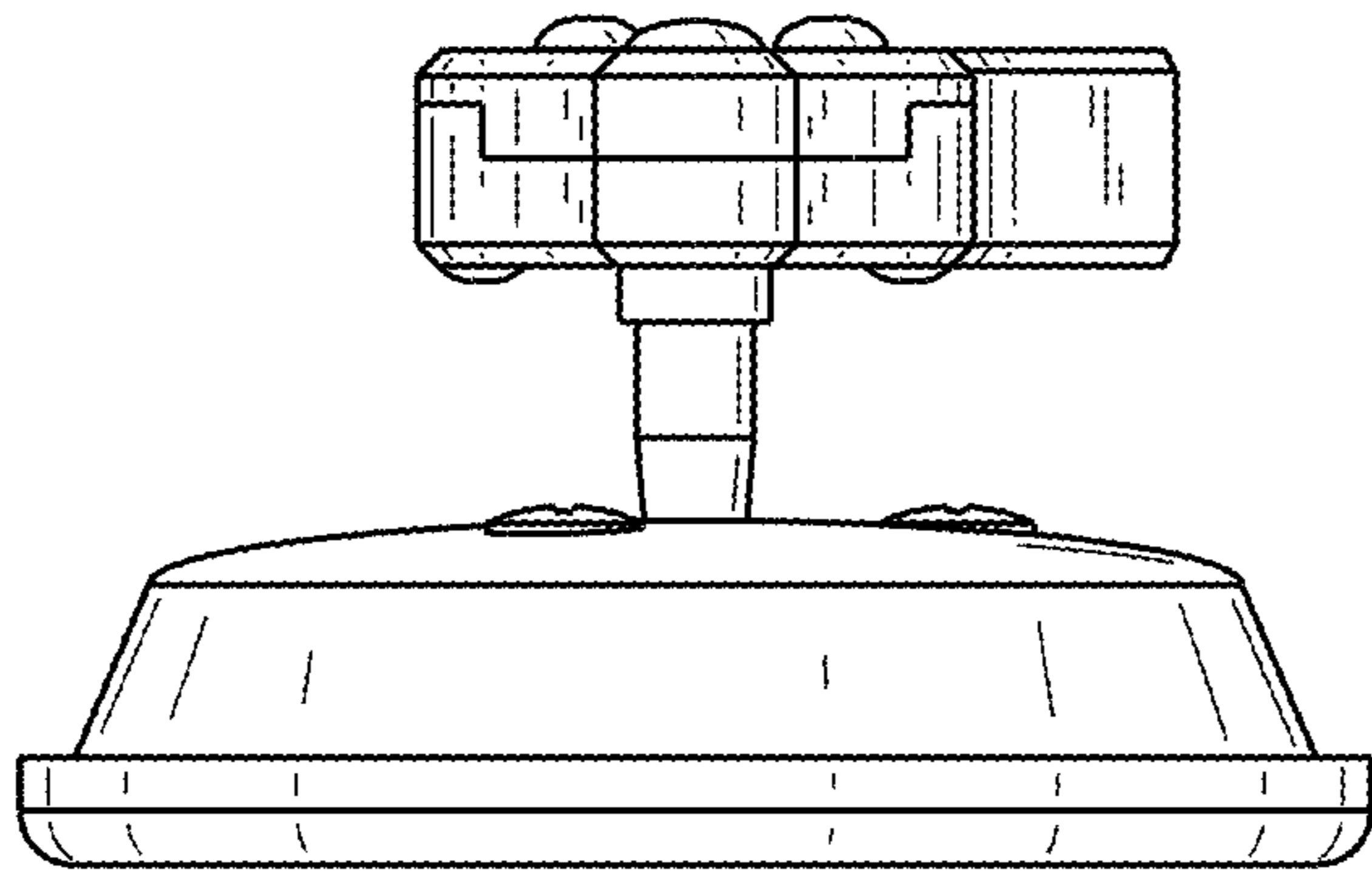


FIG. 4

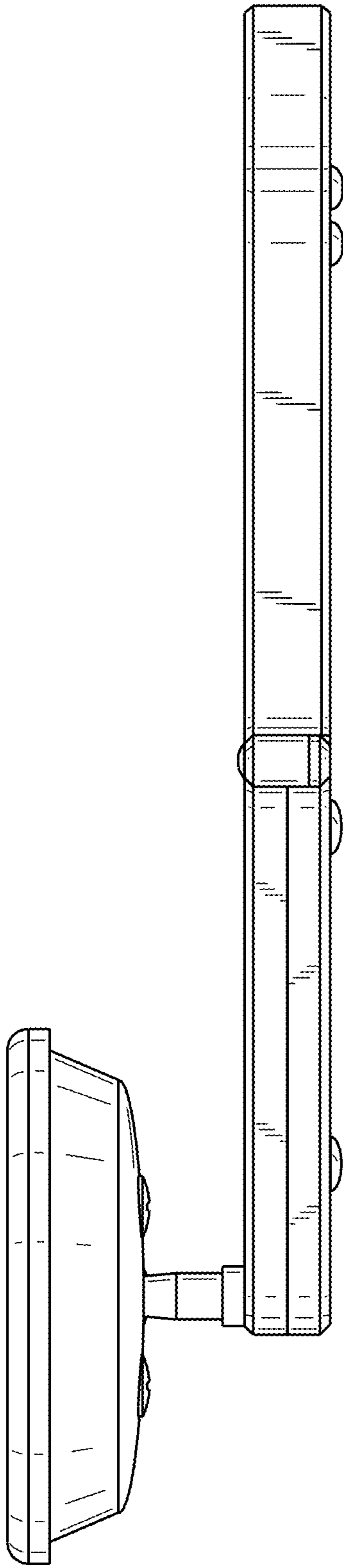


FIG. 6

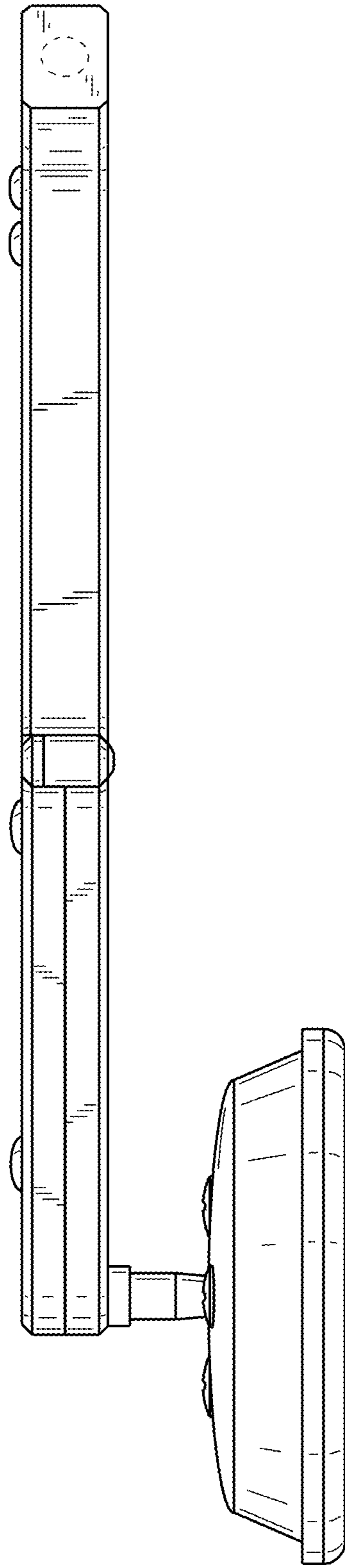


FIG. 7

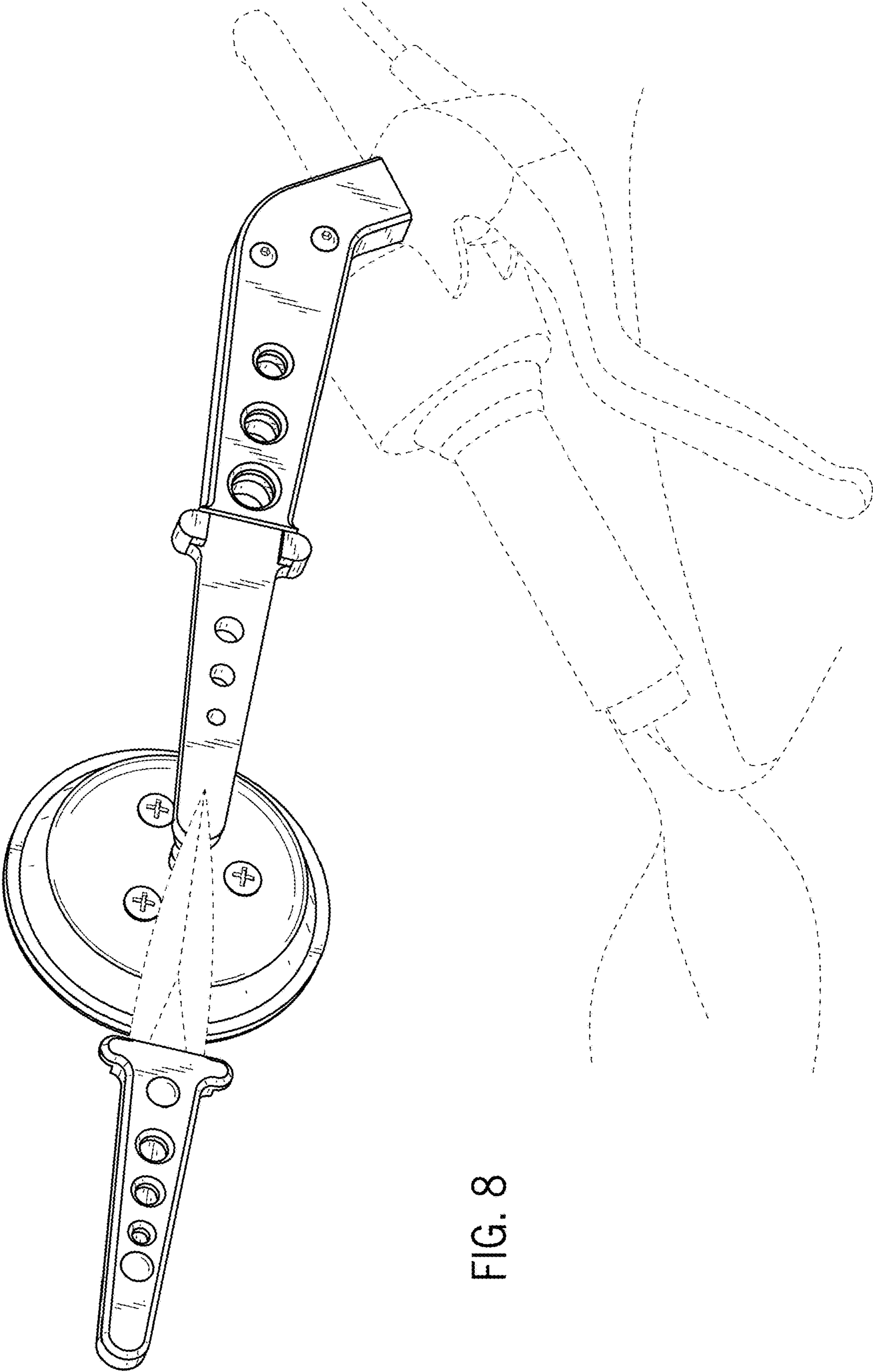


FIG. 8