



US00D914562S

(12) **United States Design Patent**
Kirkman et al.

(10) **Patent No.:** **US D914,562 S**
(45) **Date of Patent:** **** Mar. 30, 2021**

(54) **FENDER**

(71) Applicant: **Overkill Motorsports, Inc.**, Dallas, TX (US)

(72) Inventors: **Travis Kirkman**, Dallas, TX (US);
Mark Hanson, Dallas, TX (US)

(73) Assignee: **Overkill Motorsports, Inc.**, Dallas, TX (US)

(**) Term: **15 Years**

(21) Appl. No.: **29/692,008**

(22) Filed: **May 21, 2019**

(51) **LOC (13) Cl.** **12-16**

(52) **U.S. Cl.**
USPC **D12/184**

(58) **Field of Classification Search**
USPC D12/12, 14, 86, 87, 90, 91, 93, 96, 164,
D12/169, 170, 171, 172, 173, 181, 184,
D12/185, 186, 190, 192, 196, 400
CPC B62D 25/16; B62D 25/18; B62D 25/161;
B62D 25/168; B62D 25/182; B60R 19/00
See application file for complete search history.

(56) **References Cited**

U.S. PATENT DOCUMENTS

D623,103 S *	9/2010	Braga	D12/181
D781,193 S *	3/2017	McMath	D12/196
D785,523 S *	5/2017	McMath	D12/184
D814,372 S *	4/2018	Bennett	D12/184
D855,519 S *	8/2019	Bundy	D12/184
D858,386 S *	9/2019	Wymore	D12/184
10,407,110 B2 *	9/2019	Wymore	B62D 25/16
D861,561 S *	10/2019	Mallicote	D12/184

D875,006 S *	2/2020	DiCanzio	D12/184
D892,694 S *	8/2020	Li	D12/196
2010/0253034 A1 *	10/2010	Crismon	B62D 25/182 280/154
2020/0108873 A1 *	4/2020	Mallicote	B60R 3/00

OTHER PUBLICATIONS

Road Armor Fender, www.amazon.com [online]. Published on Jan. 13, 2019, [retrieved on Aug. 28, 2020]. Retrieved from the Internet: <URL:https://www.amazon.com/Road-Armor-518AFF0B/dp/B07MT44L4F/ref=sr_1_3?dchild=1&keywords=Stealth+Front+Fender+Flare&qid=1598646829&sr=8-3> (Year: 2019).*

* cited by examiner

Primary Examiner — Michael A. Pratt
Assistant Examiner — Adam C Mager

(74) *Attorney, Agent, or Firm* — Polsinelli PC; Adam C. Rehm

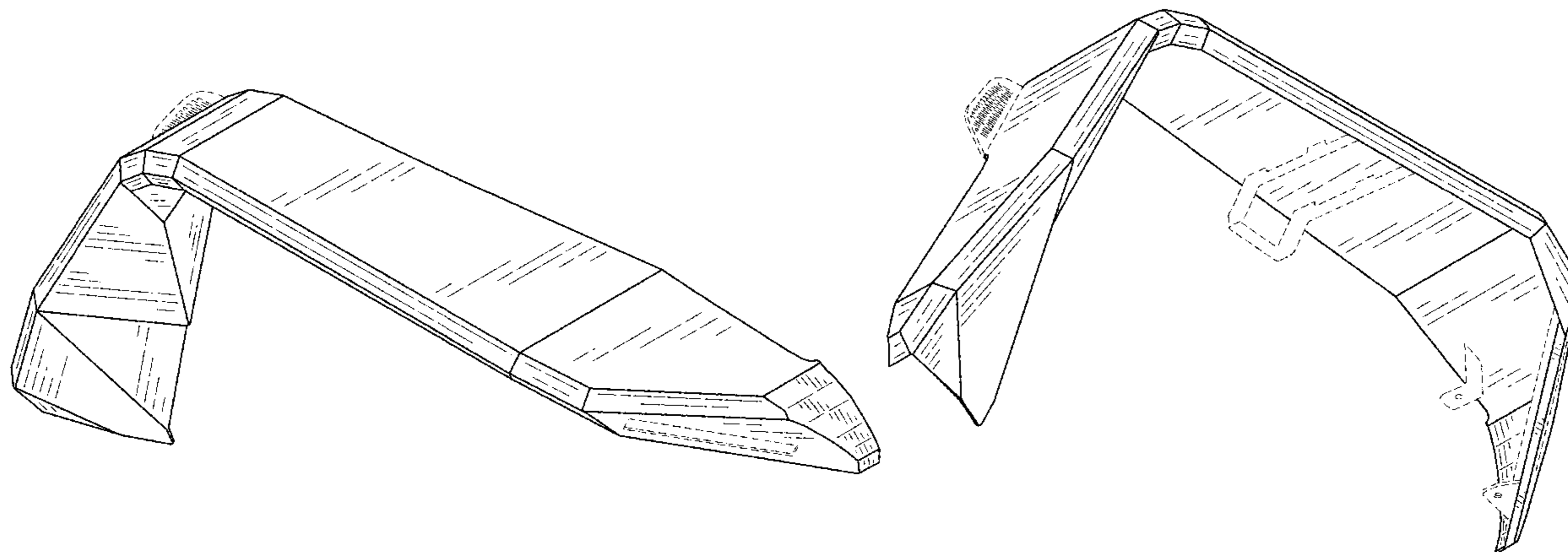
(57) **CLAIM**

The ornamental design for a fender, as shown and described.

DESCRIPTION

FIG. 1 is a front, top, right side perspective view of a fender according to the new design;
FIG. 2 is a front, bottom, left side perspective view thereof;
FIG. 3 is a front side elevation view thereof;
FIG. 4 is a rear side elevation view thereof;
FIG. 5 is a right side elevation view thereof;
FIG. 6 is a left side elevation view thereof;
FIG. 7 is a top plan view thereof; and
FIG. 8 is a bottom plan view thereof.
The broken lines represent portions of the fender that form no part of the claimed design.

1 Claim, 8 Drawing Sheets



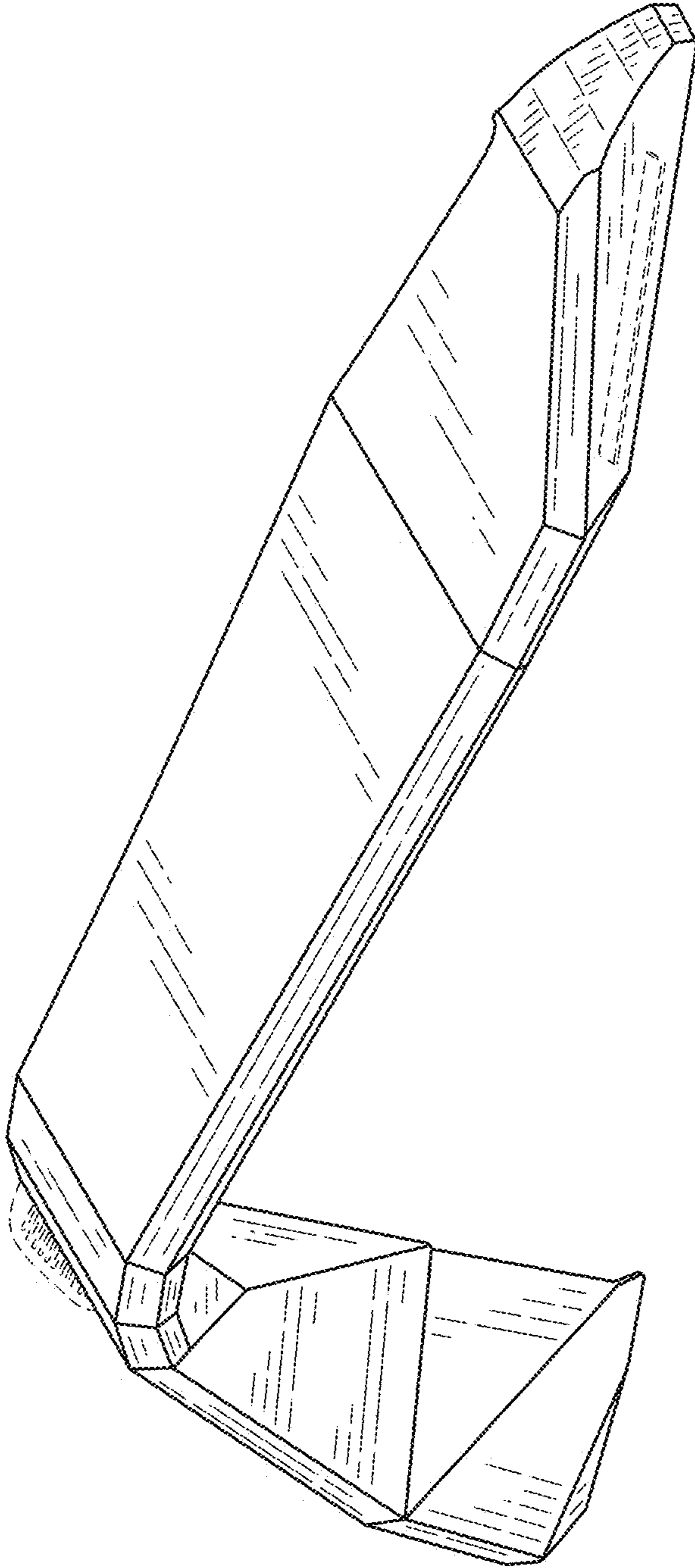


FIG.1

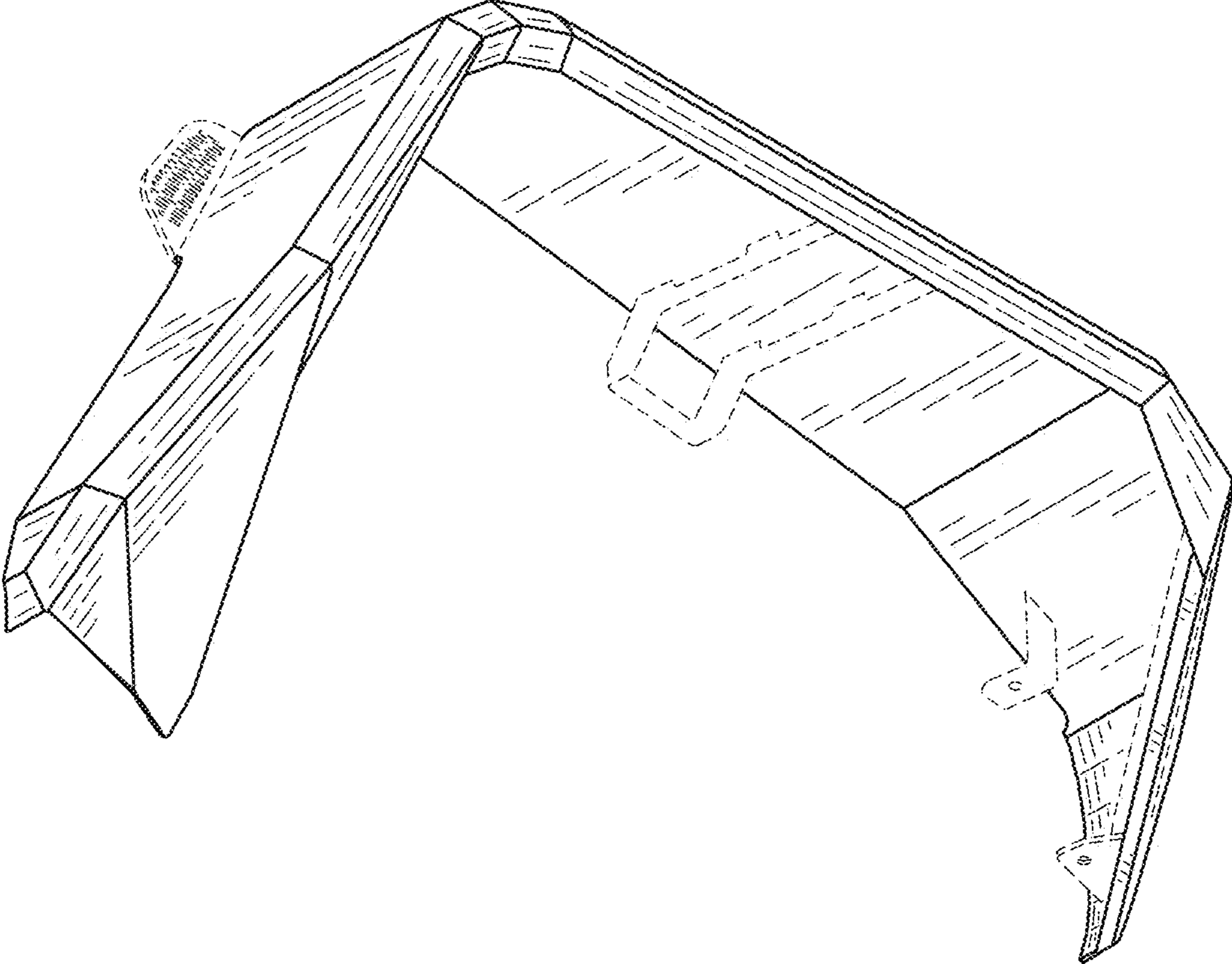


FIG.2

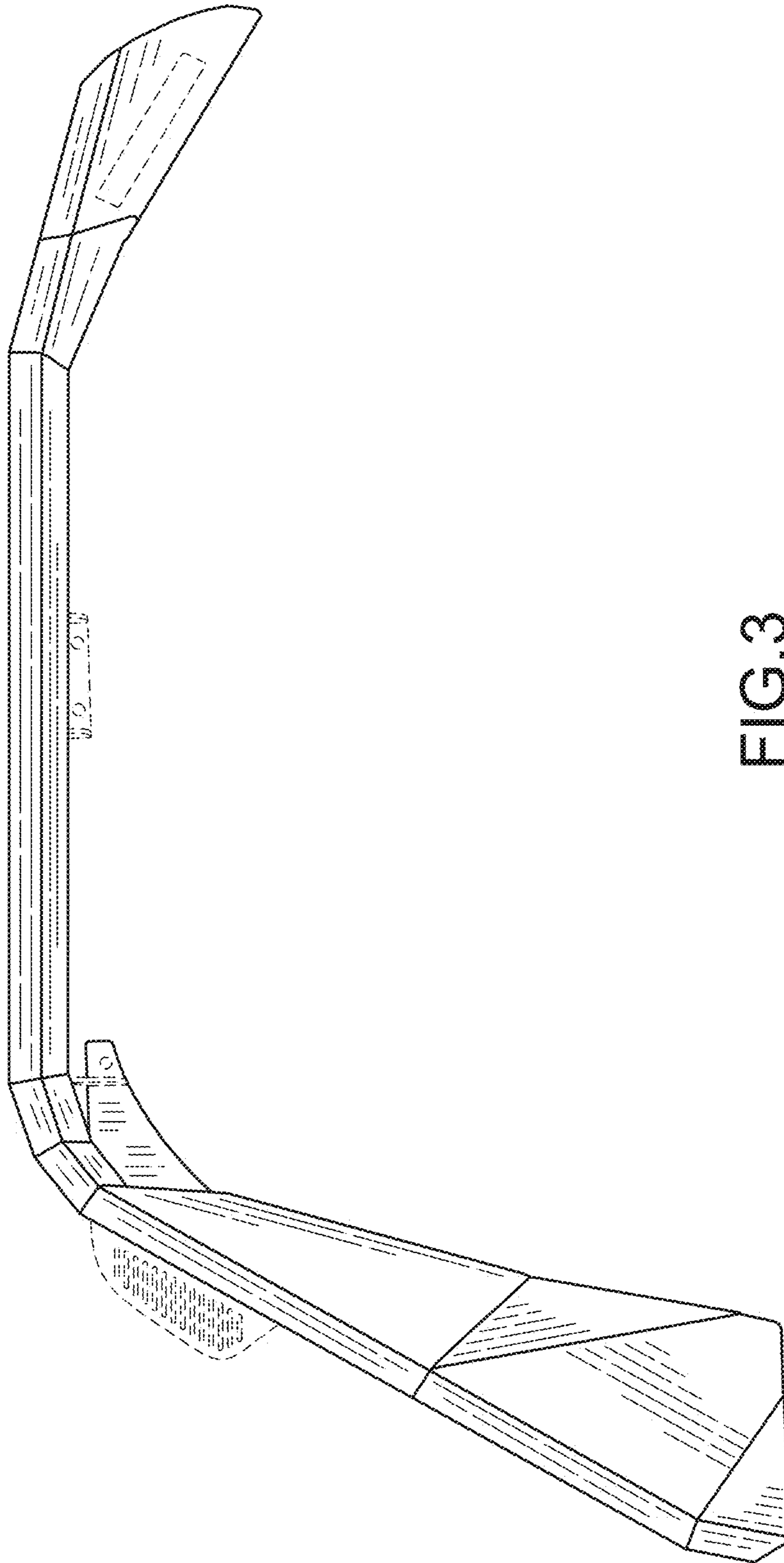


FIG. 3

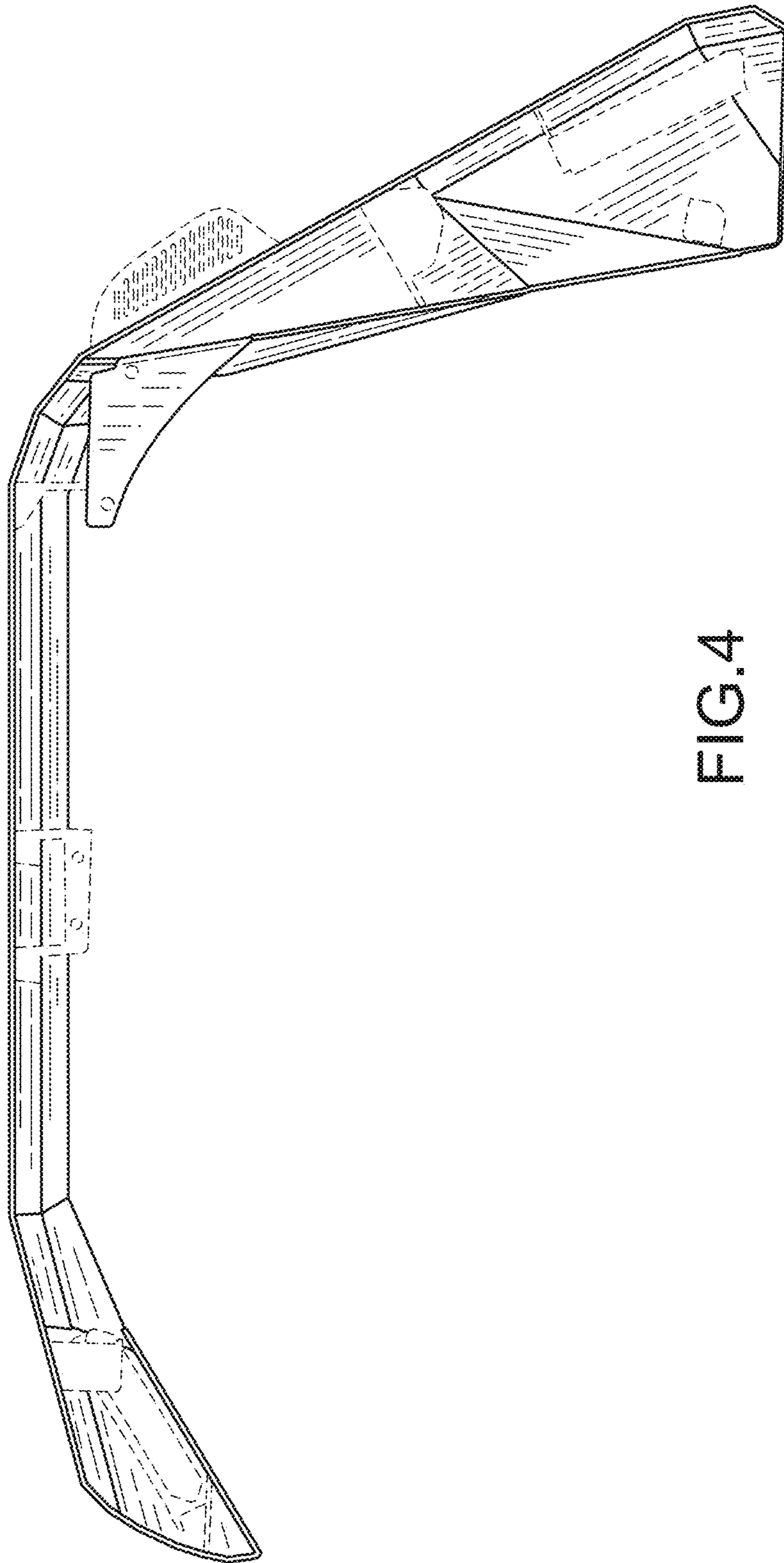


FIG.4

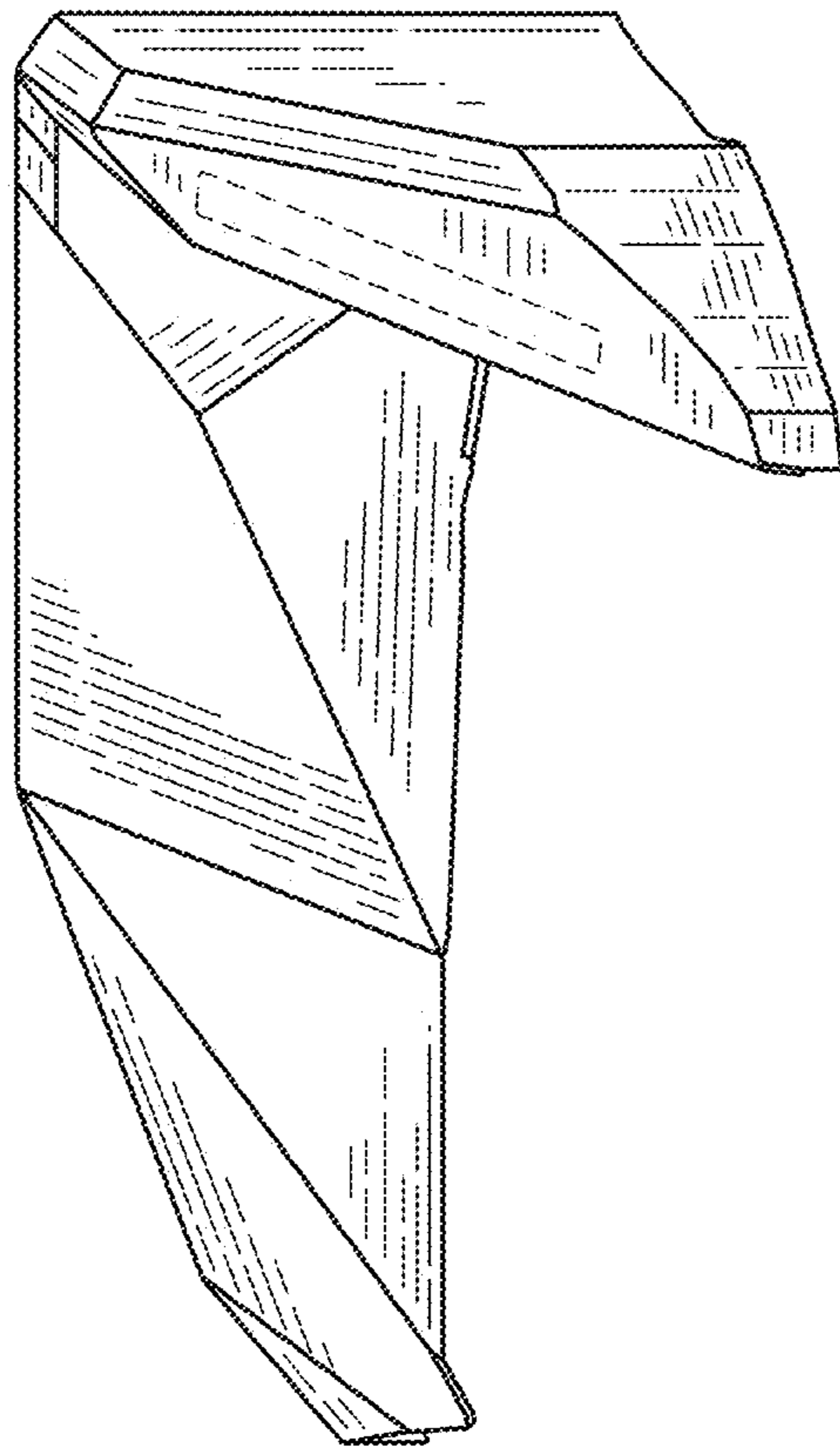


FIG.5

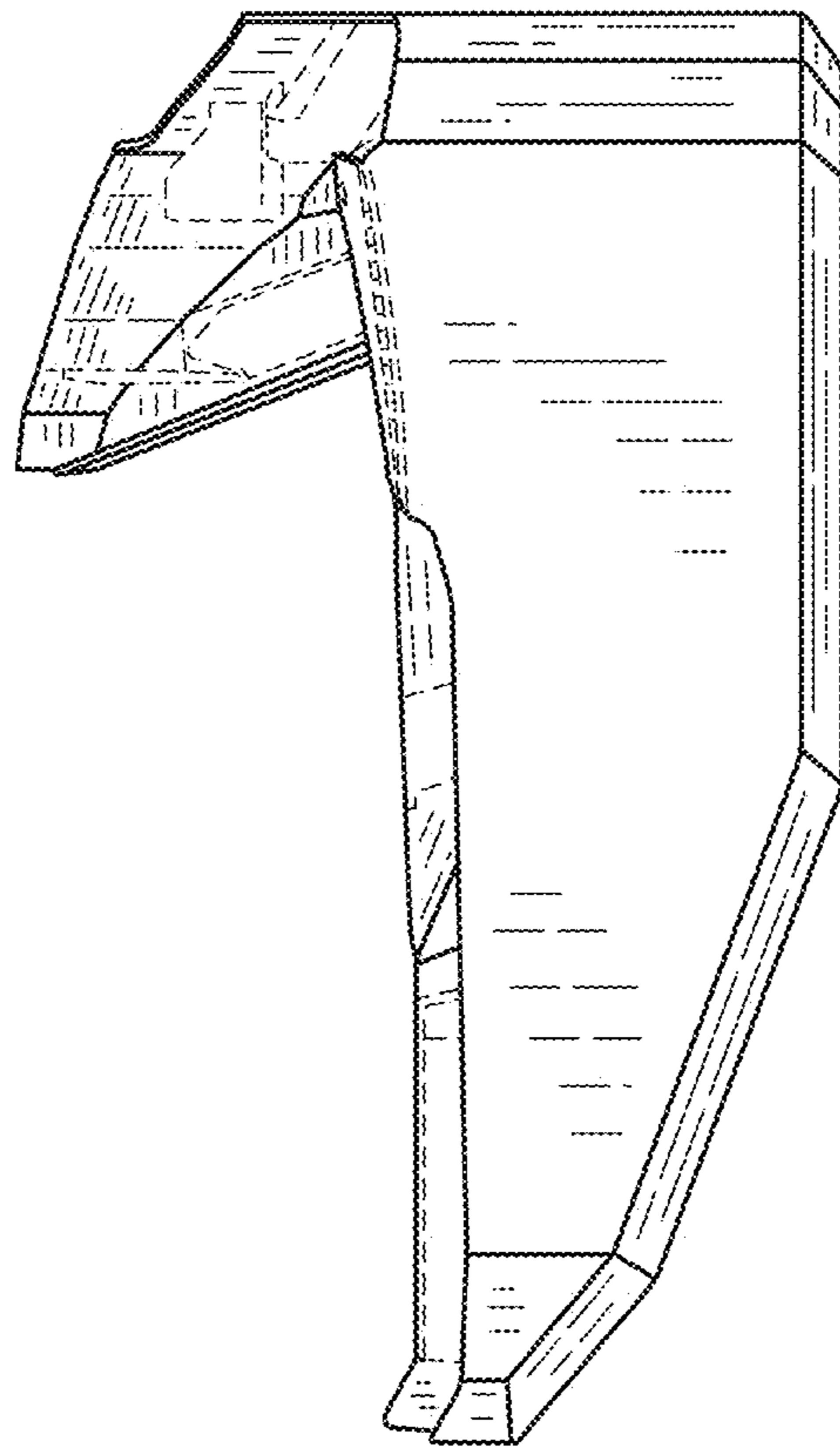


FIG.6

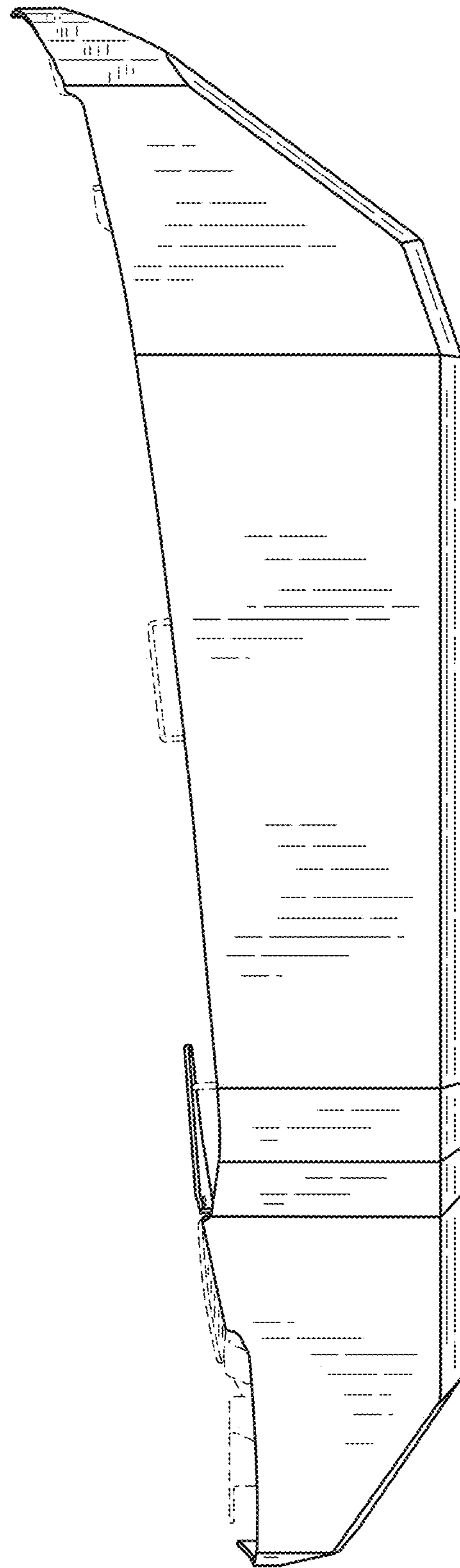


FIG.7

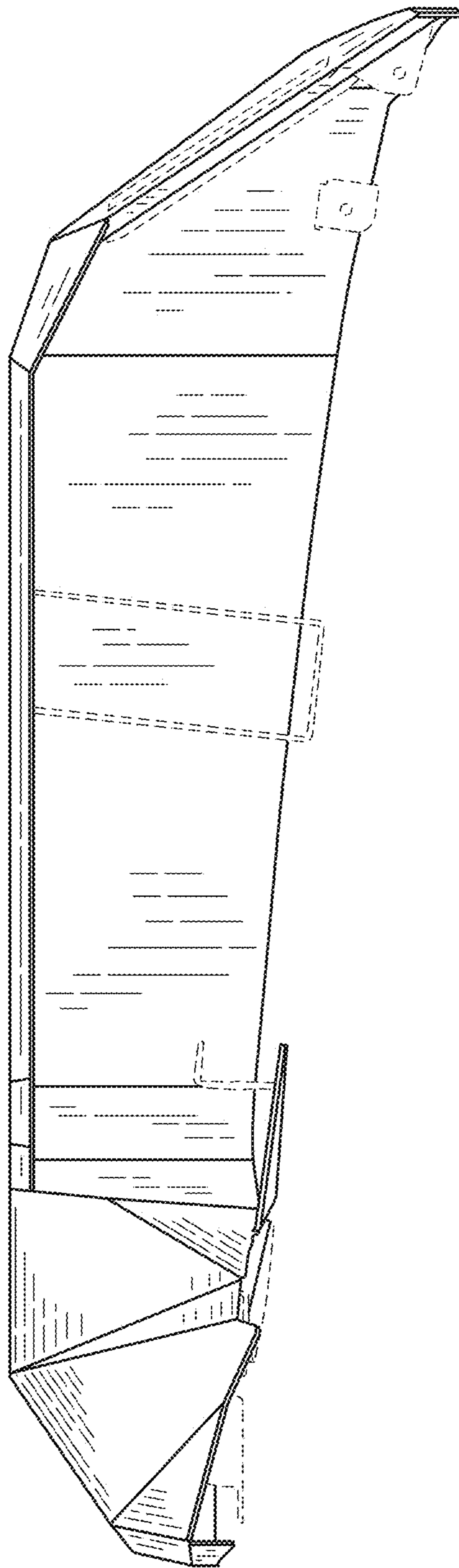


FIG.8