



US00D914557S

(12) **United States Design Patent**  
**Harrison**

(10) **Patent No.:** **US D914,557 S**

(45) **Date of Patent:** **\*\* Mar. 30, 2021**

(54) **BRAKE HANDLE**

(71) Applicant: **BRINTAL LIMITED**, St. Sampsons  
(GG)

(72) Inventor: **Brian Harrison**, St. Andrew (GG)

(73) Assignee: **BRINTAL LIMITED**

(\*\*) Term: **15 Years**

(21) Appl. No.: **29/699,260**

(22) Filed: **Jul. 24, 2019**

(30) **Foreign Application Priority Data**

Jan. 24, 2019 (EM) ..... 006084620

(51) **LOC (13) Cl.** ..... **12-16**

(52) **U.S. Cl.**  
USPC ..... **D12/179**

(58) **Field of Classification Search**

USPC ..... D21/662, 684, 692, 693, 694; D12/400,  
D12/415, 421, 178, 179, 190, 196, 223,  
D12/93, 100, 133, 130; D8/303, 61, 62,  
D8/68, 70, 83, 107; D30/156, 199

CPC ..... B62M 25/04; A61G 5/1035; B62K 5/08  
See application file for complete search history.

(56) **References Cited**

**U.S. PATENT DOCUMENTS**

- 3,645,151 A \* 2/1972 Yoshikawa ..... B62M 25/04  
74/551.9
- D286,034 S \* 10/1986 Giorgetti ..... D12/179
- D298,309 S \* 11/1988 Coue ..... D12/179
- D303,512 S \* 9/1989 Olofsson ..... D12/133
- D407,048 S \* 3/1999 Benktzon ..... D12/179
- D495,281 S \* 8/2004 Pfeiffer ..... D12/179
- D533,761 S \* 12/2006 Lin ..... D8/107
- D541,490 S \* 4/2007 Madson ..... D30/156
- D546,740 S \* 7/2007 Phipps ..... D12/179

- D548,655 S \* 8/2007 Barrow ..... D12/179
- D554,465 S \* 11/2007 Laurienzo ..... D12/179
- D562,661 S \* 2/2008 Weems ..... D8/61
- D600,626 S \* 9/2009 Miller ..... D12/400
- D647,581 S \* 10/2011 Batiste ..... D21/684
- D882,371 S \* 4/2020 Clark ..... D8/303
- 2011/0042157 A1\* 2/2011 Rioux ..... B62K 5/08  
180/218
- 2020/0146908 A1\* 5/2020 Harrison ..... A61G 5/1035

\* cited by examiner

*Primary Examiner* — Susan E Krakower

*Assistant Examiner* — Jerry Shiuhan-Hua Hsu

(74) *Attorney, Agent, or Firm* — Dorsey & Whitney LLP

(57) **CLAIM**

The ornamental design for a brake handle, as shown and described.

**DESCRIPTION**

FIG. 1 is a front, left, isometric view of a brake handle in accordance with the present design shown in a closed configuration.

FIG. 2 is a left side elevation view thereof.

FIG. 3 is a right side elevation view thereof.

FIG. 4 is a top plan view thereof.

FIG. 5 is a bottom plan view thereof.

FIG. 6 is a front elevation view thereof.

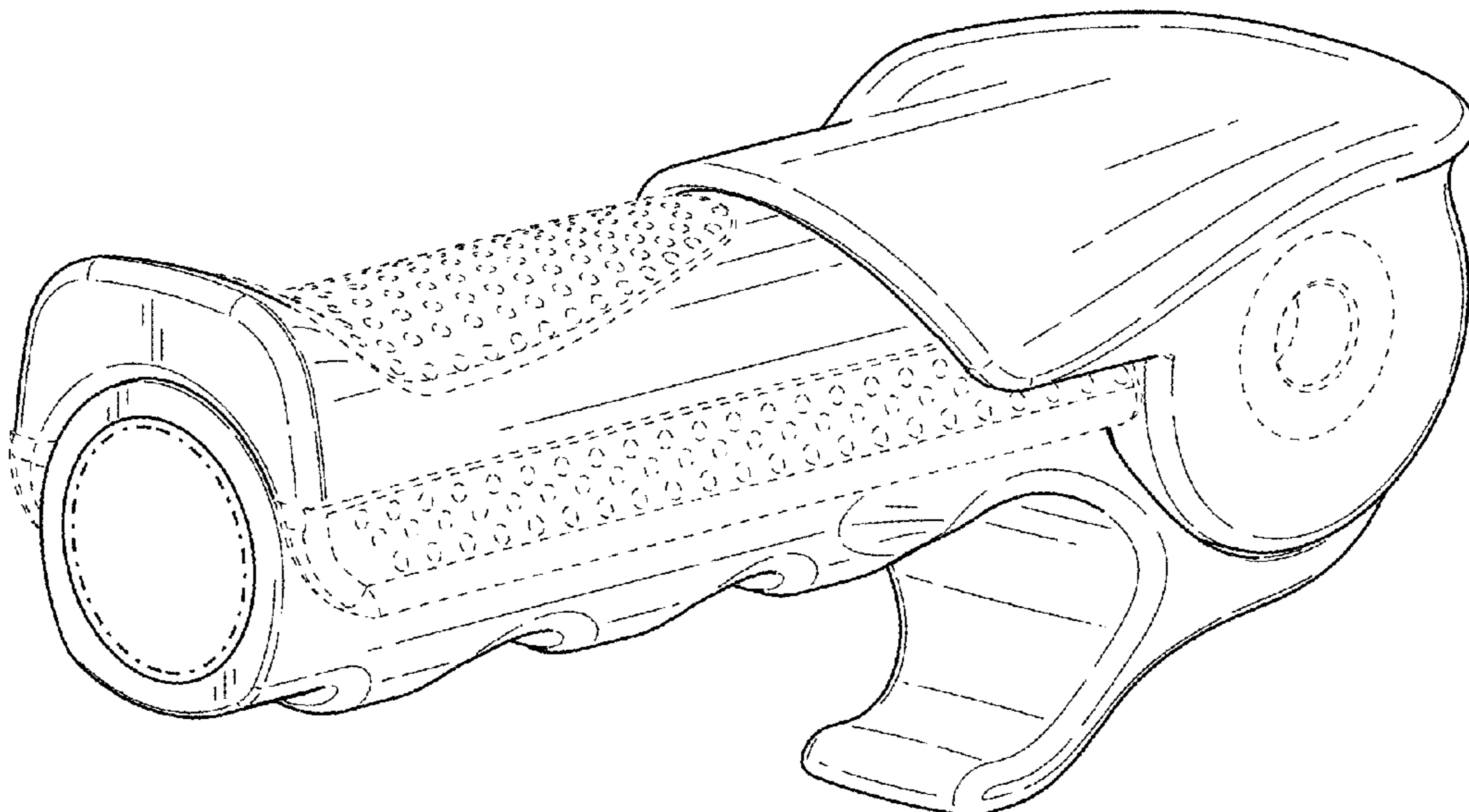
FIG. 7 is a rear elevation view thereof.

FIG. 8 is a front, left, isometric view of the brake handle of FIG. 1 with a feature of the brake handle shown in an open configuration; and,

FIG. 9 is a front, left, isometric view of the brake handle of FIG. 1 shown in an open configuration.

The dash-dash broken lines illustrate portions of the brake handle that form no part of the claim. The dot-dash broken lines depict a boundary between claimed and unclaimed portions of the brake handle and form no part of the claimed design.

**1 Claim, 5 Drawing Sheets**



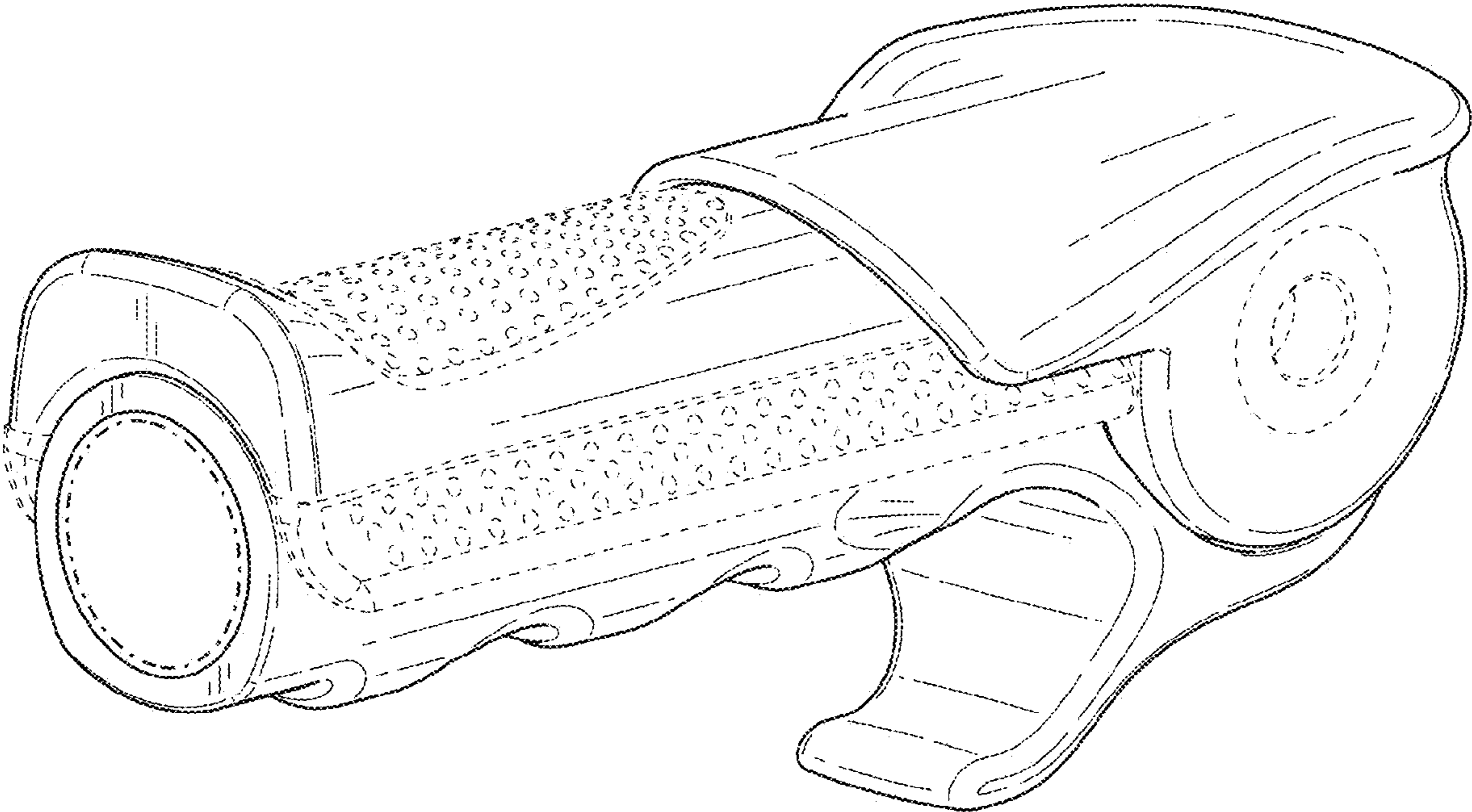


FIG. 1

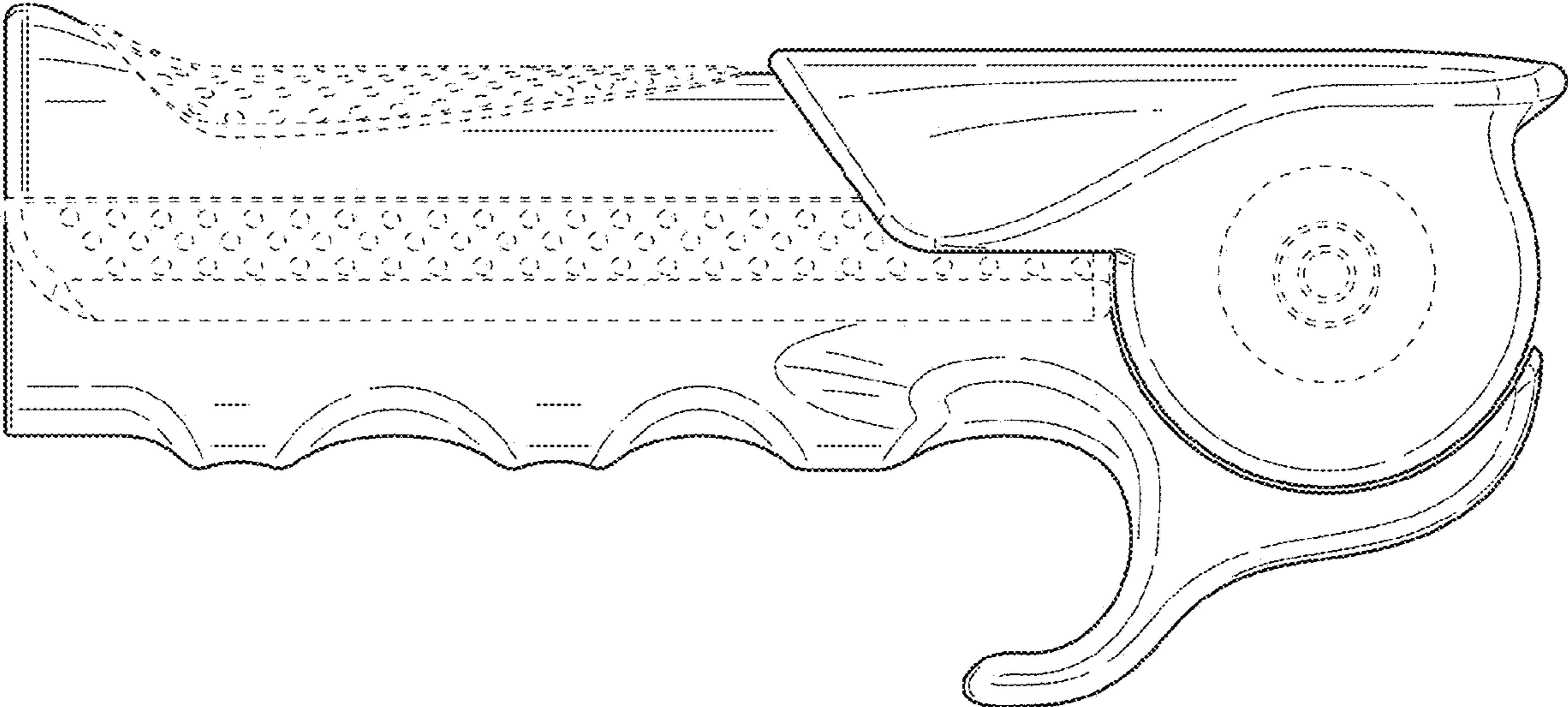


FIG. 2

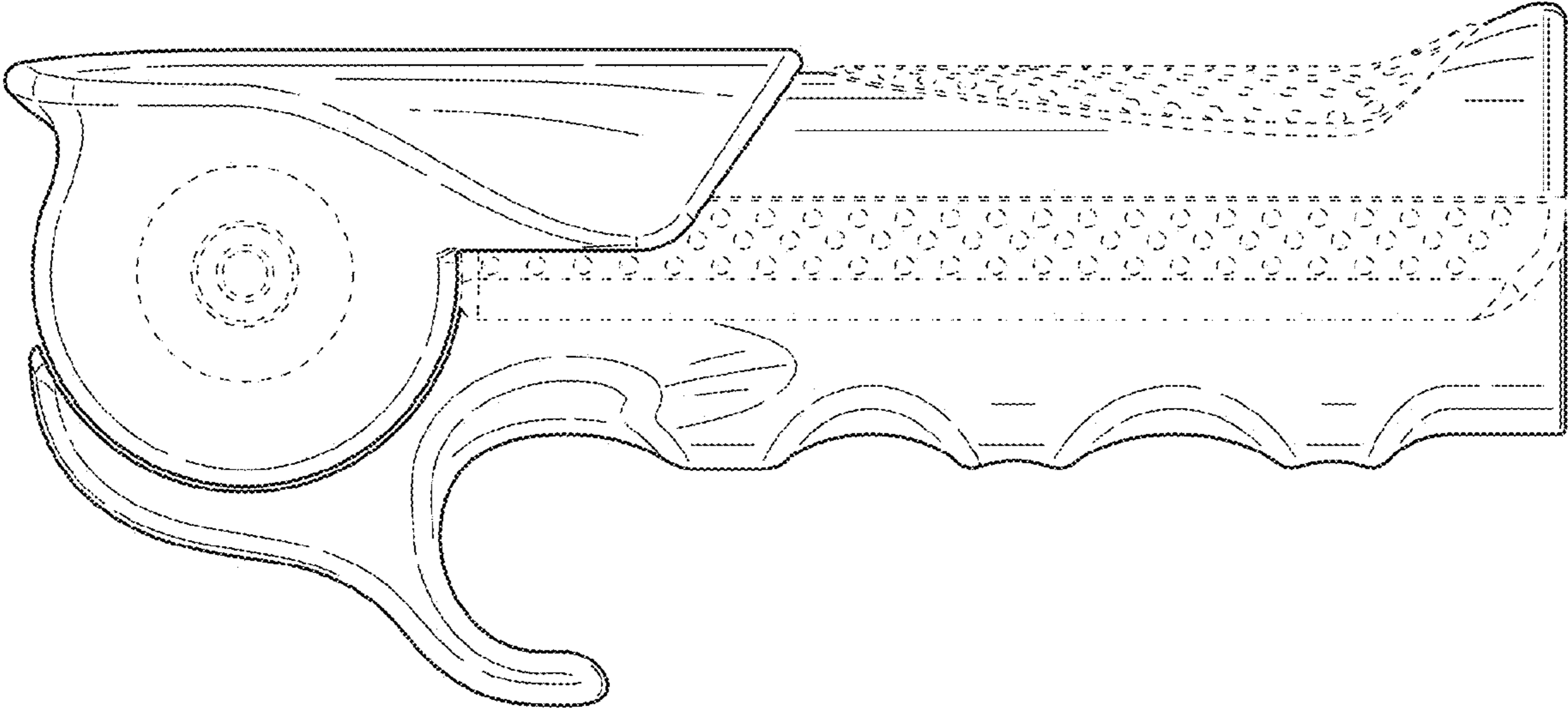


FIG. 3

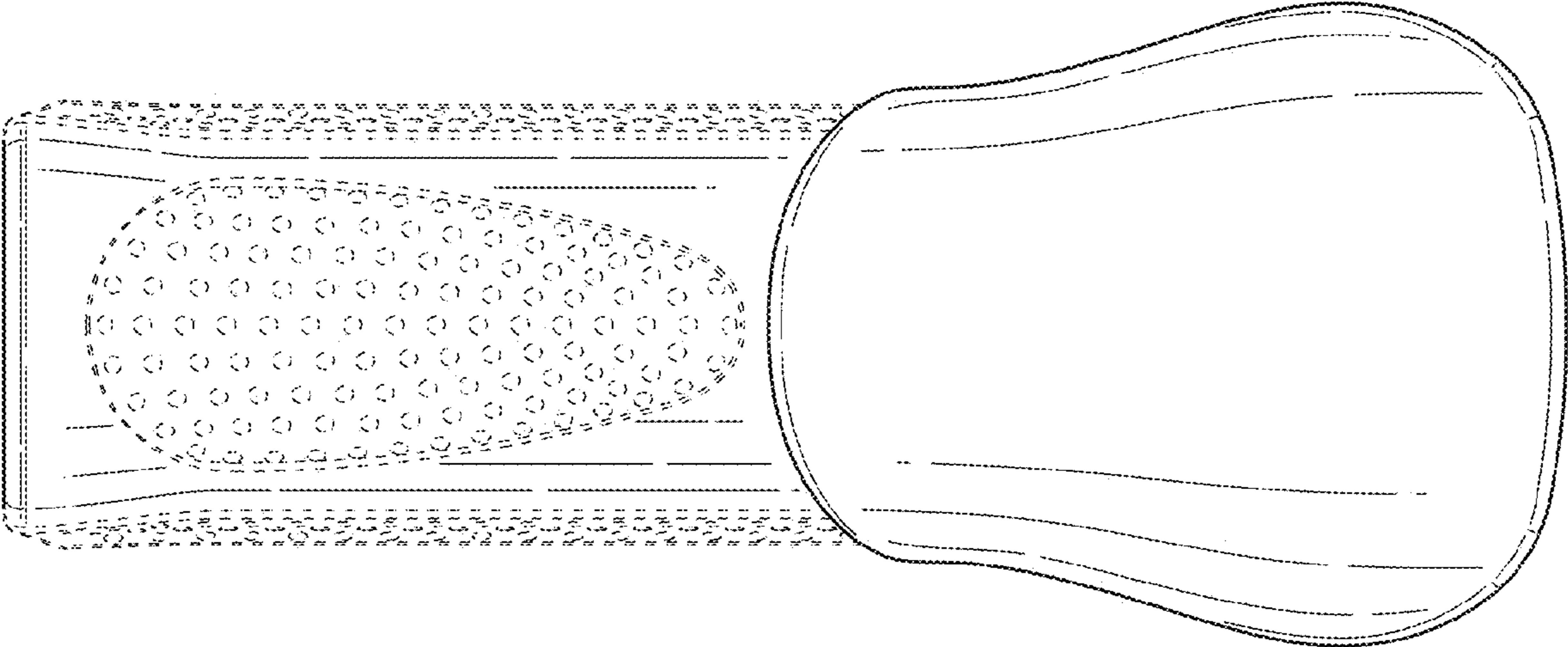


FIG. 4



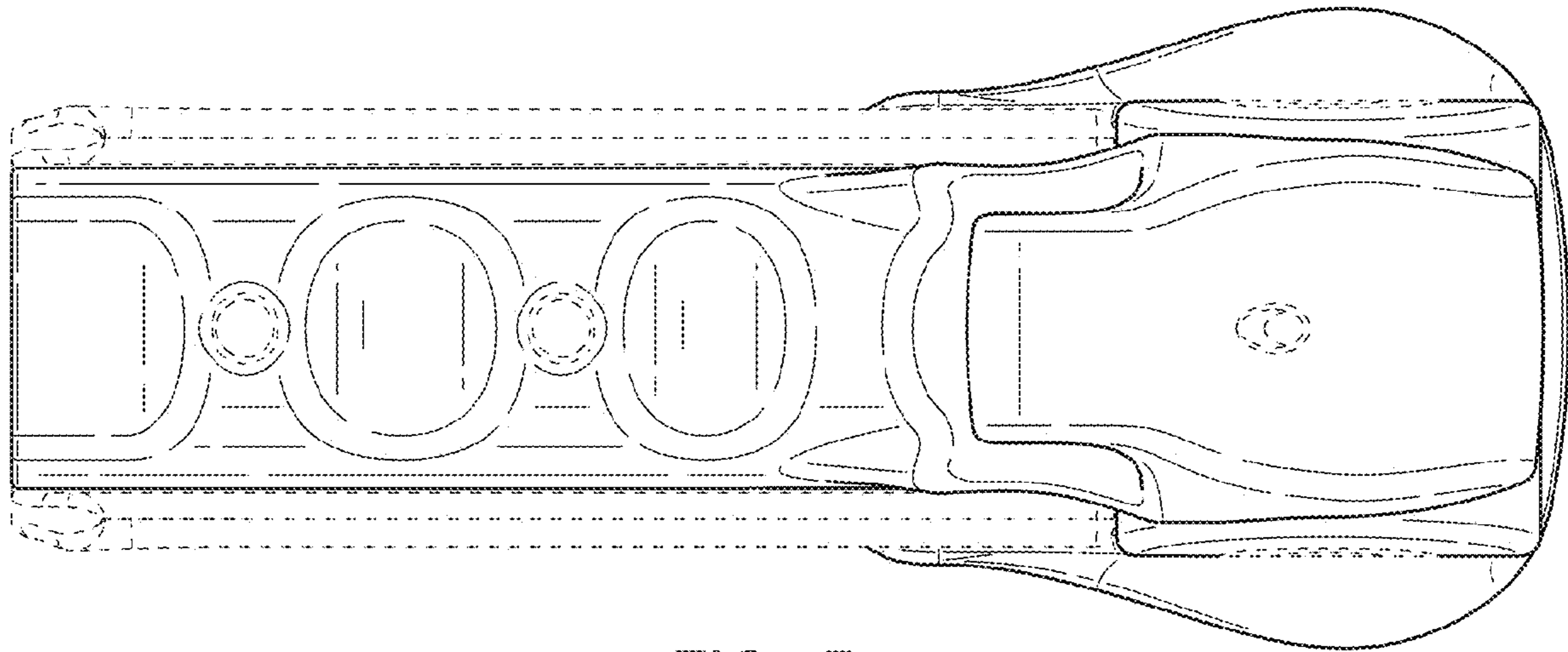


FIG. 5

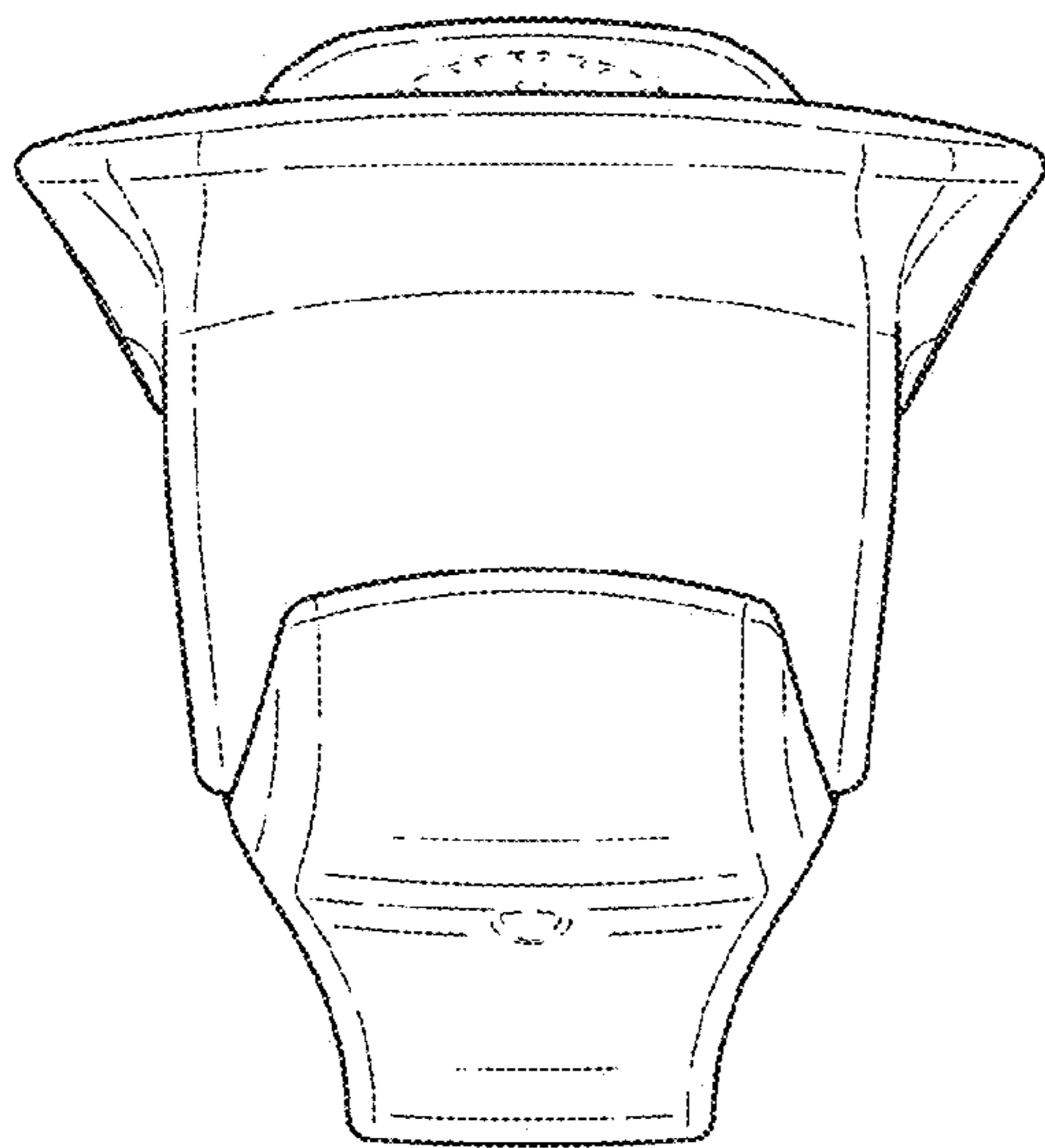


FIG. 6

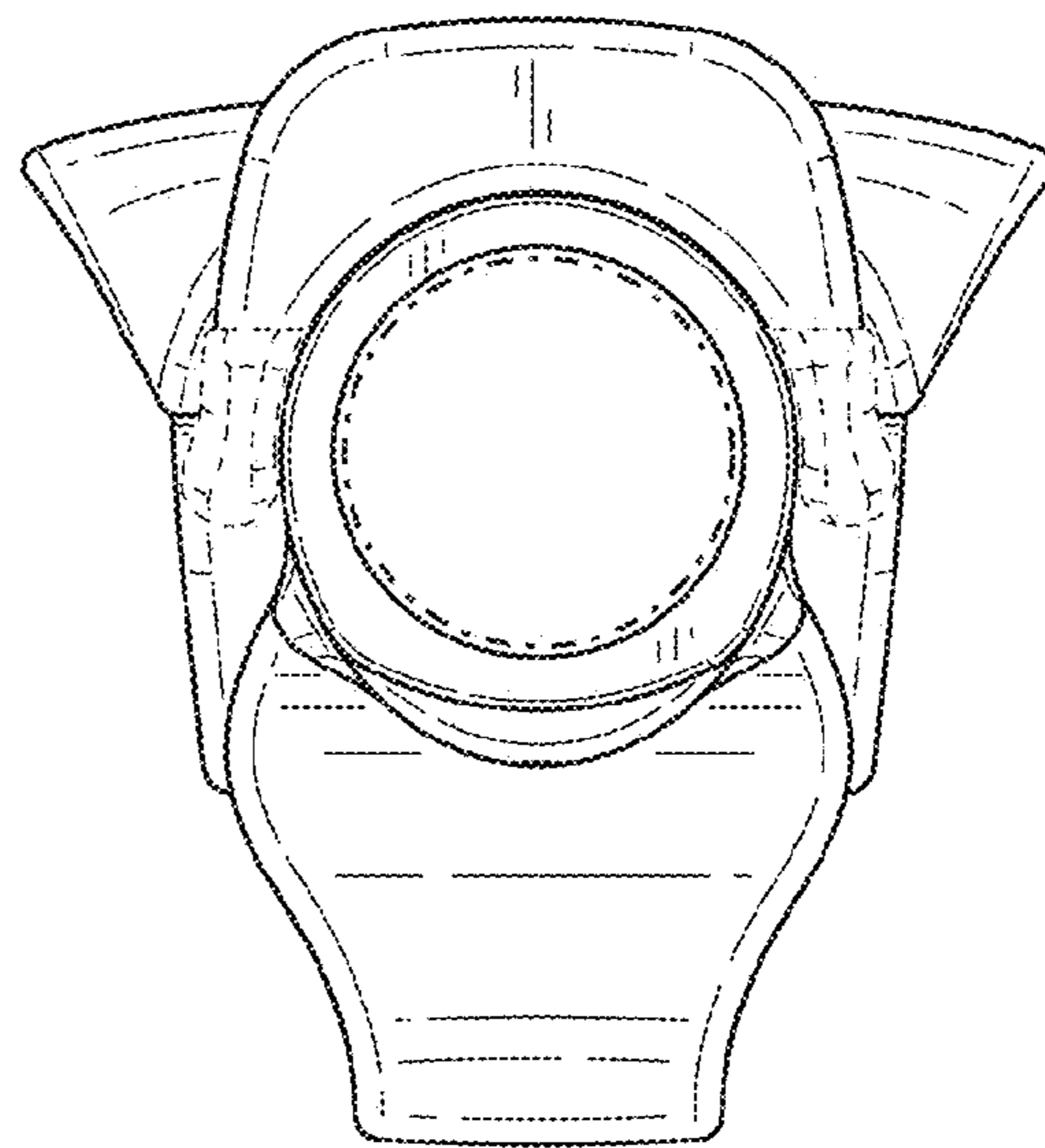


FIG. 7

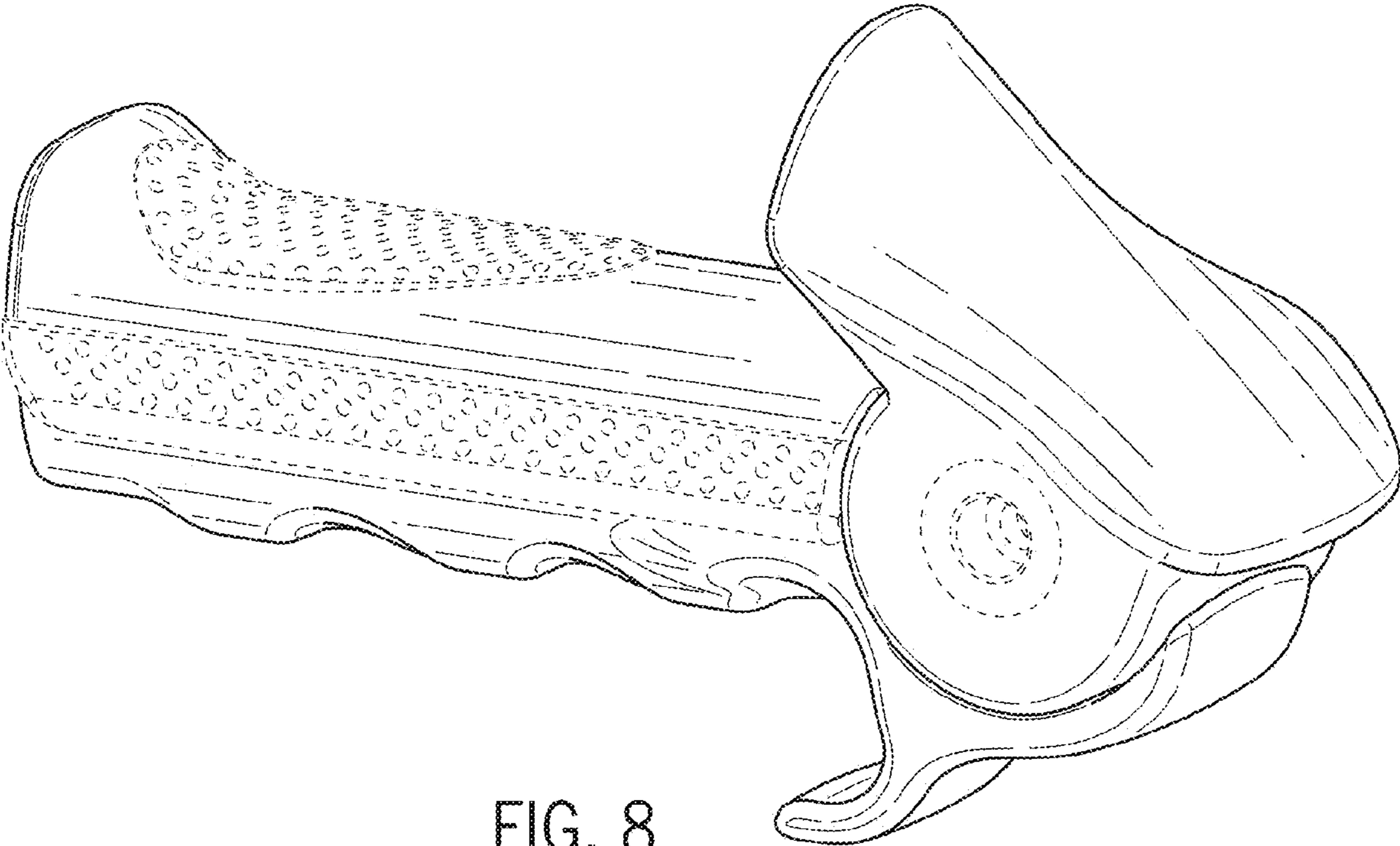


FIG. 8

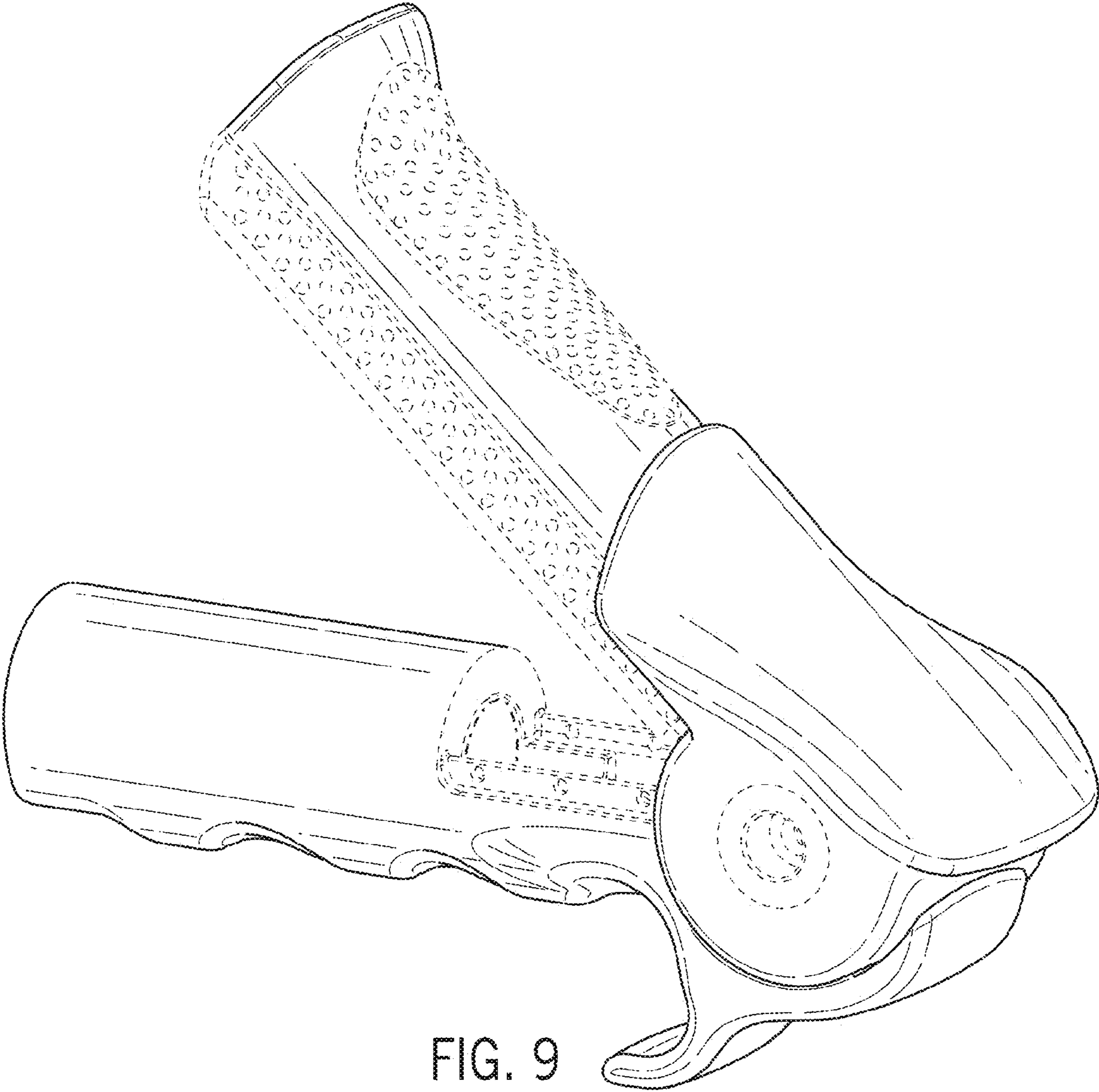


FIG. 9