



US00D914556S

(12) **United States Design Patent**  
**Li**

(10) **Patent No.:** **US D914,556 S**

(45) **Date of Patent:** **\*\* Mar. 30, 2021**

(54) **VEHICLE BUMPER GRILLE GUARD**

(71) Applicant: **Lechangshi Xindongsui Auto Supplies Co., LTD.**, Shaoguan (CN)

(72) Inventor: **PingAn Li**, Shaoguan (CN)

(\*\*) Term: **15 Years**

(21) Appl. No.: **29/688,694**

(22) Filed: **Apr. 24, 2019**

(51) **LOC (13) Cl.** ..... **12-16**

(52) **U.S. Cl.**  
USPC ..... **D12/171**

(58) **Field of Classification Search**  
USPC ..... D12/86, 90, 91, 92, 163, 164, 169, 171,  
D12/196, 216; D21/533, 538, 541, 542,  
D21/548, 549, 551, 562  
CPC ..... B60R 19/02; B60R 19/18; B60R 19/24;  
B60R 19/56; B60R 2019/007  
See application file for complete search history.

(56) **References Cited**

**U.S. PATENT DOCUMENTS**

D280,398 S	*	9/1985	Milton	.....	D12/171
D307,256 S	*	4/1990	Holland	.....	D12/171
D333,457 S	*	2/1993	La Foe	.....	D12/171
D361,316 S	*	8/1995	Orth, Sr.	.....	D12/171
D383,719 S	*	9/1997	Thorne	.....	D12/171
D384,625 S	*	10/1997	Thorne	.....	D12/171

D388,042 S	*	12/1997	Thorne	.....	D12/171
D396,678 S	*	8/1998	Shklyaver	.....	D12/171
D410,879 S	*	6/1999	Orth, Sr.	.....	D12/171
D416,219 S	*	11/1999	Waagenaar	.....	D12/171
D422,952 S	*	4/2000	Waagenaar	.....	D12/171
D422,953 S	*	4/2000	Waagenaar	.....	D12/171
D440,530 S	*	4/2001	Geisler	.....	D12/171
D483,708 S	*	12/2003	Roehmer	.....	D12/171
D523,383 S	*	6/2006	Fox	.....	D12/171
D528,481 S	*	9/2006	Taveras	.....	D12/171
D572,180 S	*	7/2008	Storer	.....	D12/171
D606,913 S	*	12/2009	Robertson	.....	D12/171

\* cited by examiner

*Primary Examiner* — Darlington Ly

(74) *Attorney, Agent, or Firm* — Prakash Nama; Global IP Services, PLLC

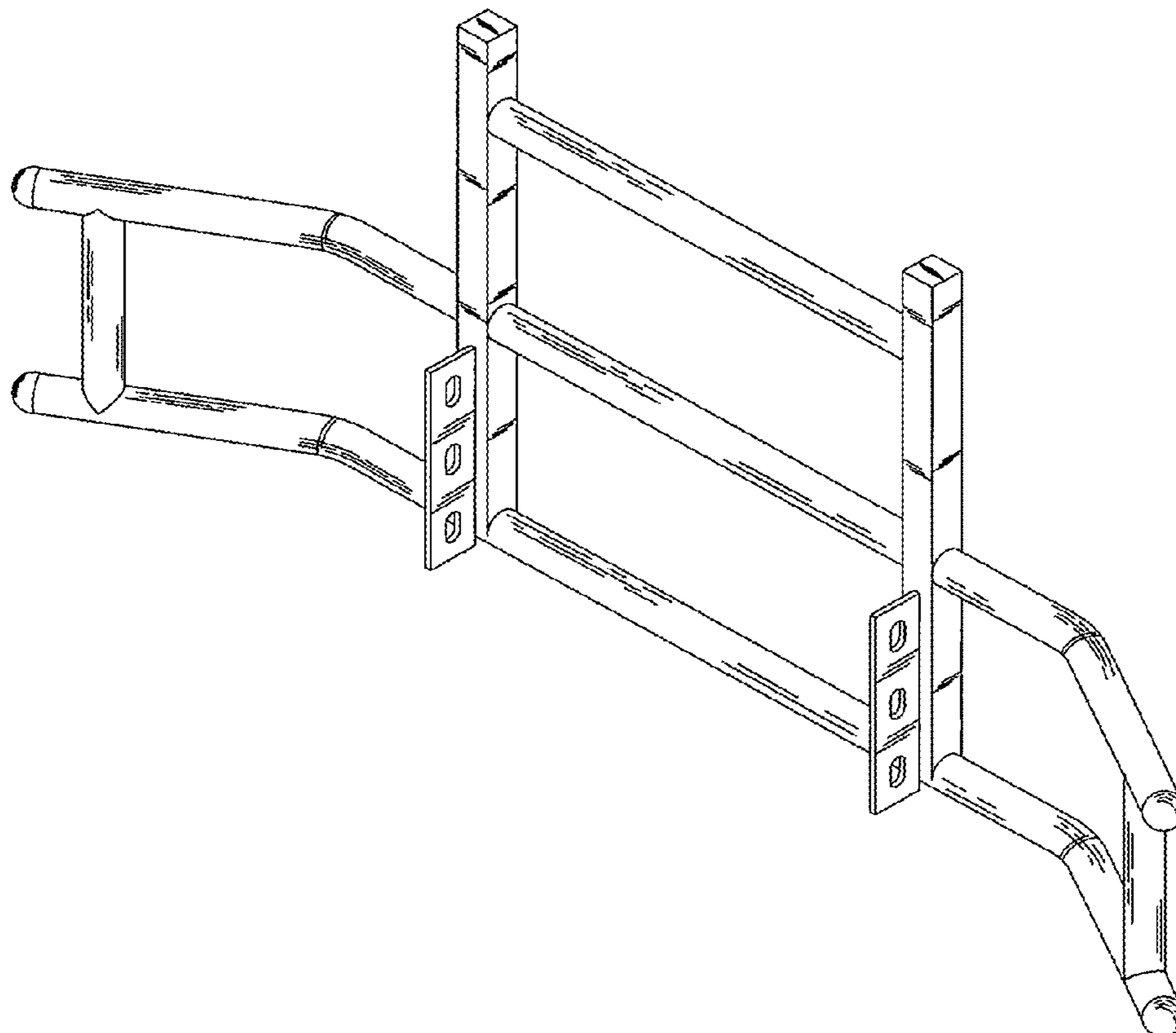
(57) **CLAIM**

The ornamental design for a vehicle bumper grille guard, as shown.

**DESCRIPTION**

FIG. 1 is a front elevational view of a vehicle bumper grille guard showing my new design;  
FIG. 2 is a rear elevational view thereof;  
FIG. 3 is a left side elevation view thereof;  
FIG. 4 is a right side elevation view thereof;  
FIG. 5 is a top plan view thereof;  
FIG. 6 is a bottom plan view thereof; and,  
FIG. 7 is a perspective view thereof.

**1 Claim, 6 Drawing Sheets**



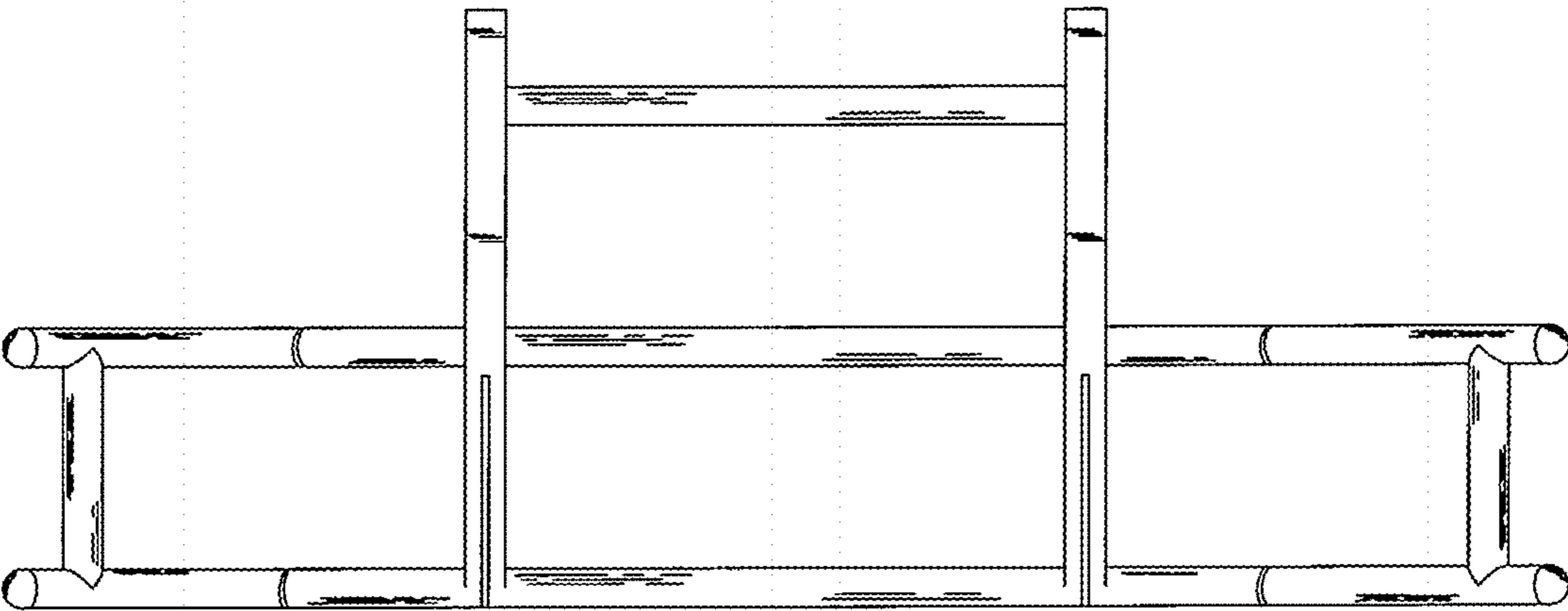


FIG. 1

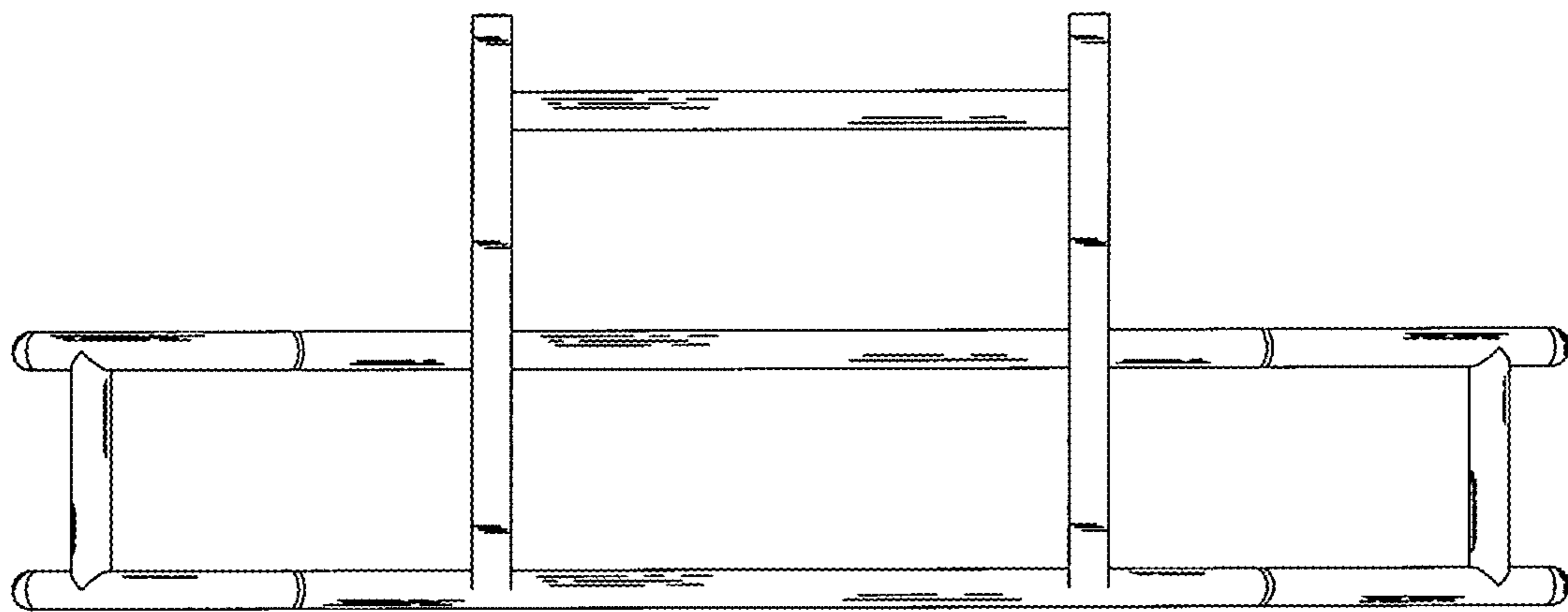


FIG. 2

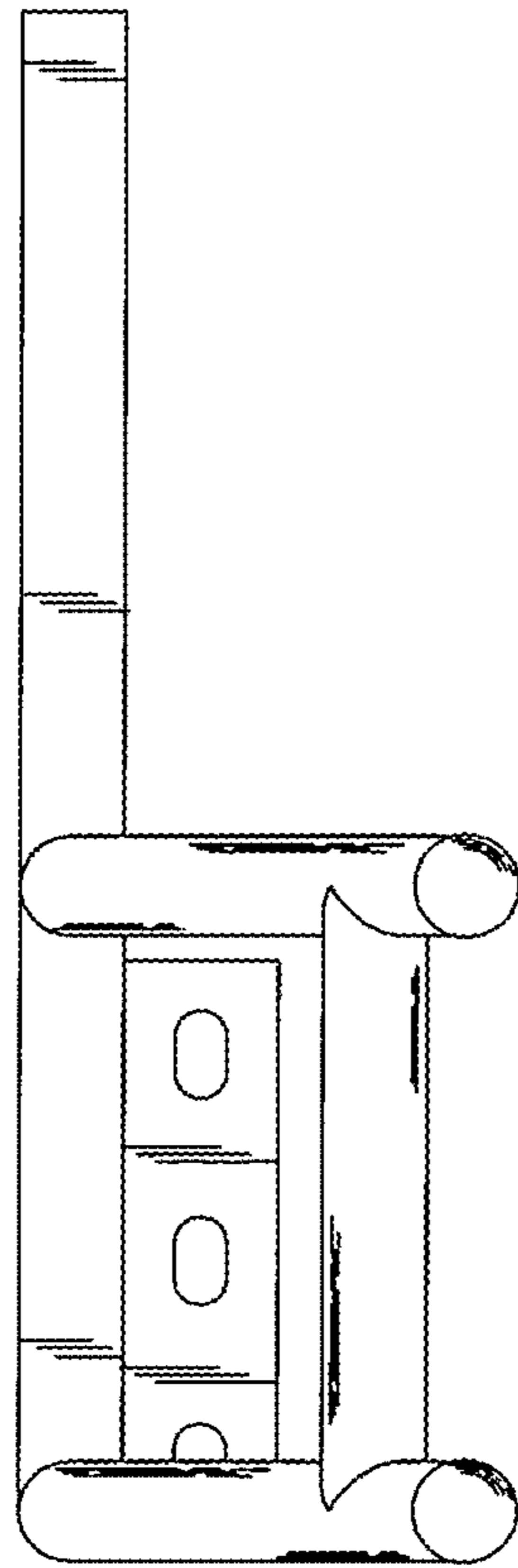


FIG. 3

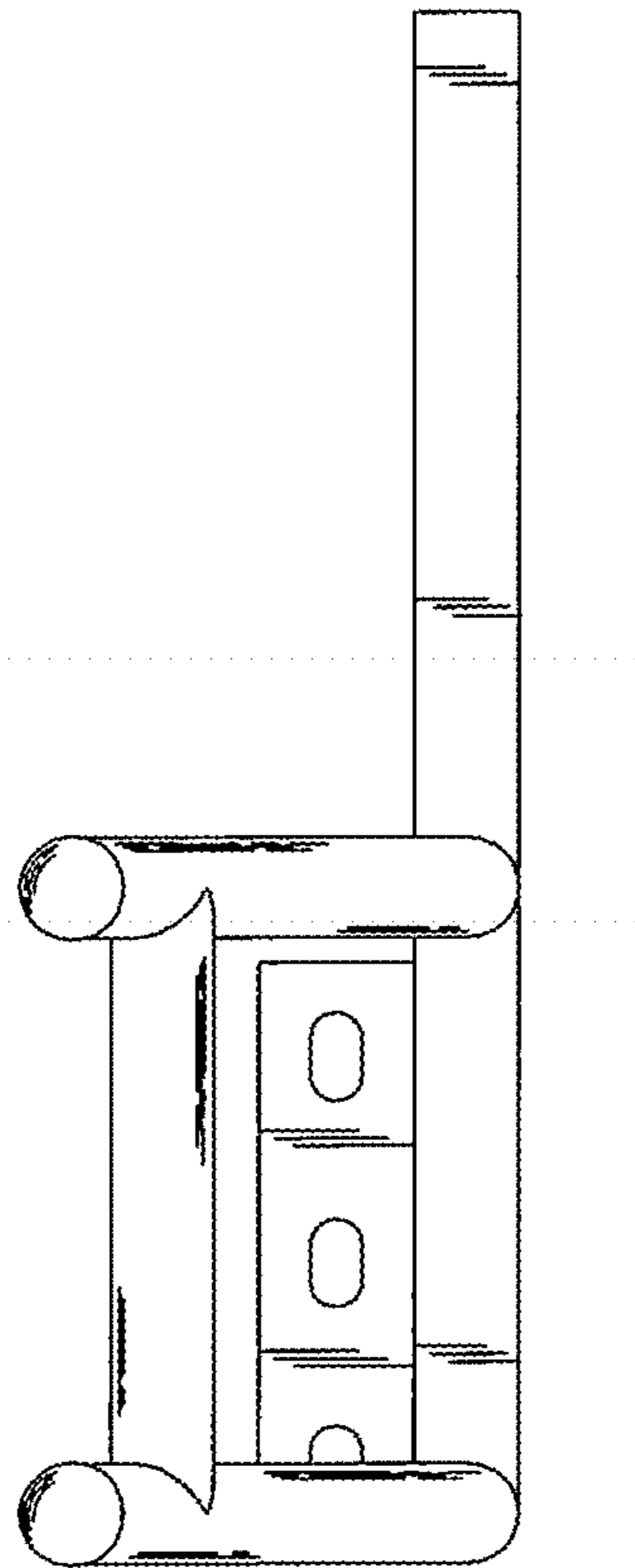


FIG. 4

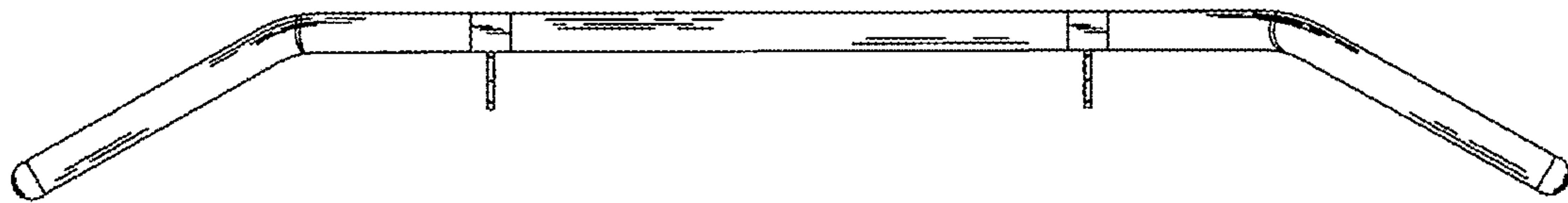


FIG. 5

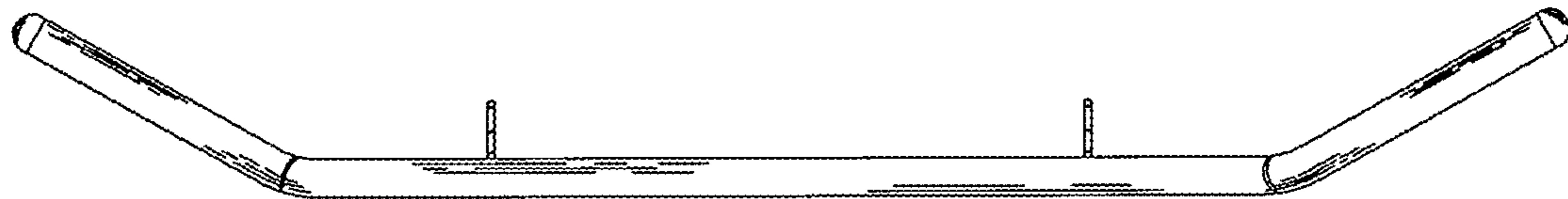


FIG. 6

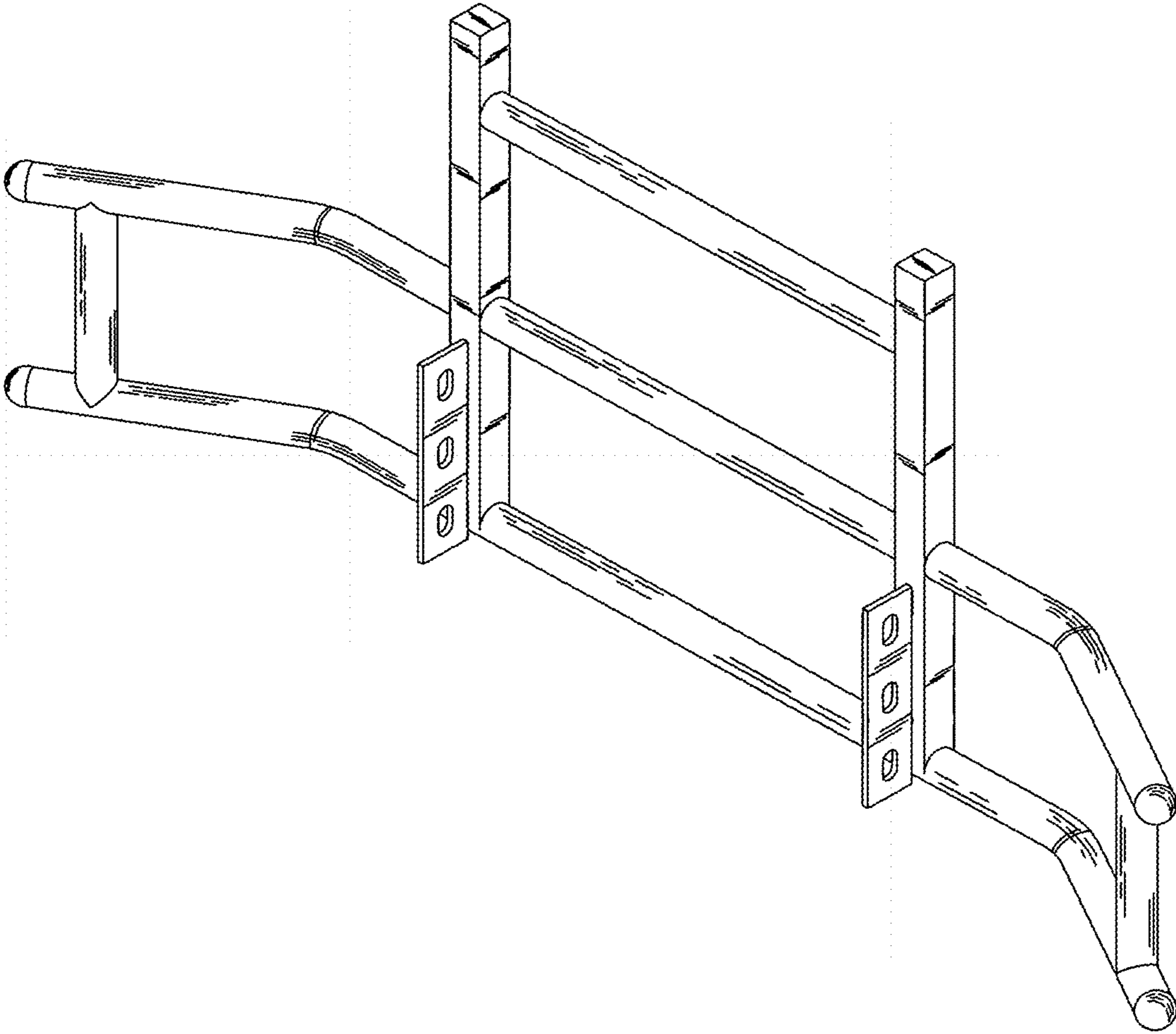


FIG. 7