



US00D914555S

(12) **United States Design Patent** (10) **Patent No.:** **US D914,555 S**
Bischoff et al. (45) **Date of Patent:** **** Mar. 30, 2021**

(54) **VEHICLE BUMPER COVER**

(71) Applicant: **VOLKSWAGEN
AKTIENGESELLSCHAFT,
Wolfsburg (DE)**

(72) Inventors: **Klaus Bischoff, Wolfsburg (DE); Frank
Josef Brüse, Wolfsburg (DE)**

(73) Assignee: **VOLKSWAGEN
AKTIENGESELLSCHAFT,
Wolfsburg (DE)**

(**) Term: **15 Years**

(21) Appl. No.: **29/718,457**

(22) Filed: **Dec. 24, 2019**

(30) **Foreign Application Priority Data**

Jun. 27, 2019 (WO) WIPO8479

(51) **LOC (13) Cl.** **12-16**

(52) **U.S. Cl.**
USPC **D12/169**

(58) **Field of Classification Search**
USPC D12/169, 163, 196, 86, 90-92;
296/180.1, 180.2; 293/102, 115, 117, 120
CPC B60R 2019/25; B62D 25/084
See application file for complete search history.

(56) **References Cited**

U.S. PATENT DOCUMENTS

D600,604 S * 9/2009 Lamm D12/169
D600,605 S * 9/2009 Lamm D12/169

D792,294 S * 7/2017 McCabe D12/169
D798,203 S * 9/2017 Shiu D12/169
D799,388 S * 10/2017 Smock D12/169
D807,801 S * 1/2018 Piscitelli D12/169
D815,572 S * 4/2018 Perkins D12/169
D818,402 S * 5/2018 Kawakami D12/169
D821,940 S * 7/2018 Platto D12/169
D854,980 S * 7/2019 Bucher D12/169

FOREIGN PATENT DOCUMENTS

WO DM097097 6/2017

* cited by examiner

Primary Examiner — Melody N Brown

(74) *Attorney, Agent, or Firm* — Lucas & Mercanti, LLP;
Klaus P. Stoffel

(57) **CLAIM**

The ornamental design for a vehicle bumper cover, as shown and described.

DESCRIPTION

FIG. 1 is a front and right side perspective view of a vehicle bumper cover showing our new design;
FIG. 2 is a rear and left side perspective view thereof;
FIG. 3 is a rear view thereof;
FIG. 4 is a front view thereof;
FIG. 5 is a top view thereof;
FIG. 6 is a bottom view thereof;
FIG. 7 is a right side view thereof; and,
FIG. 8 is a left side view thereof.

1 Claim, 4 Drawing Sheets



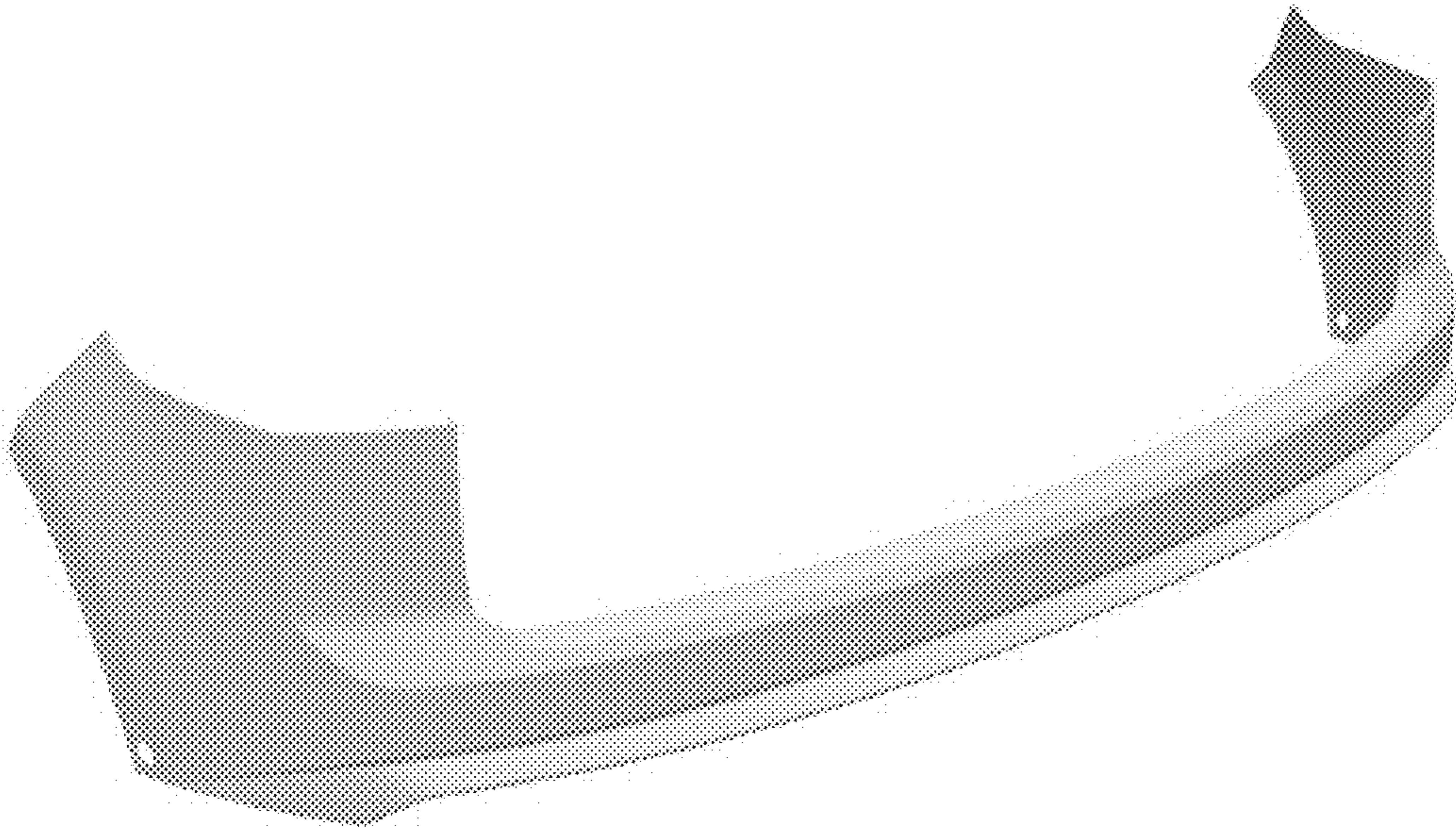


Fig. 1

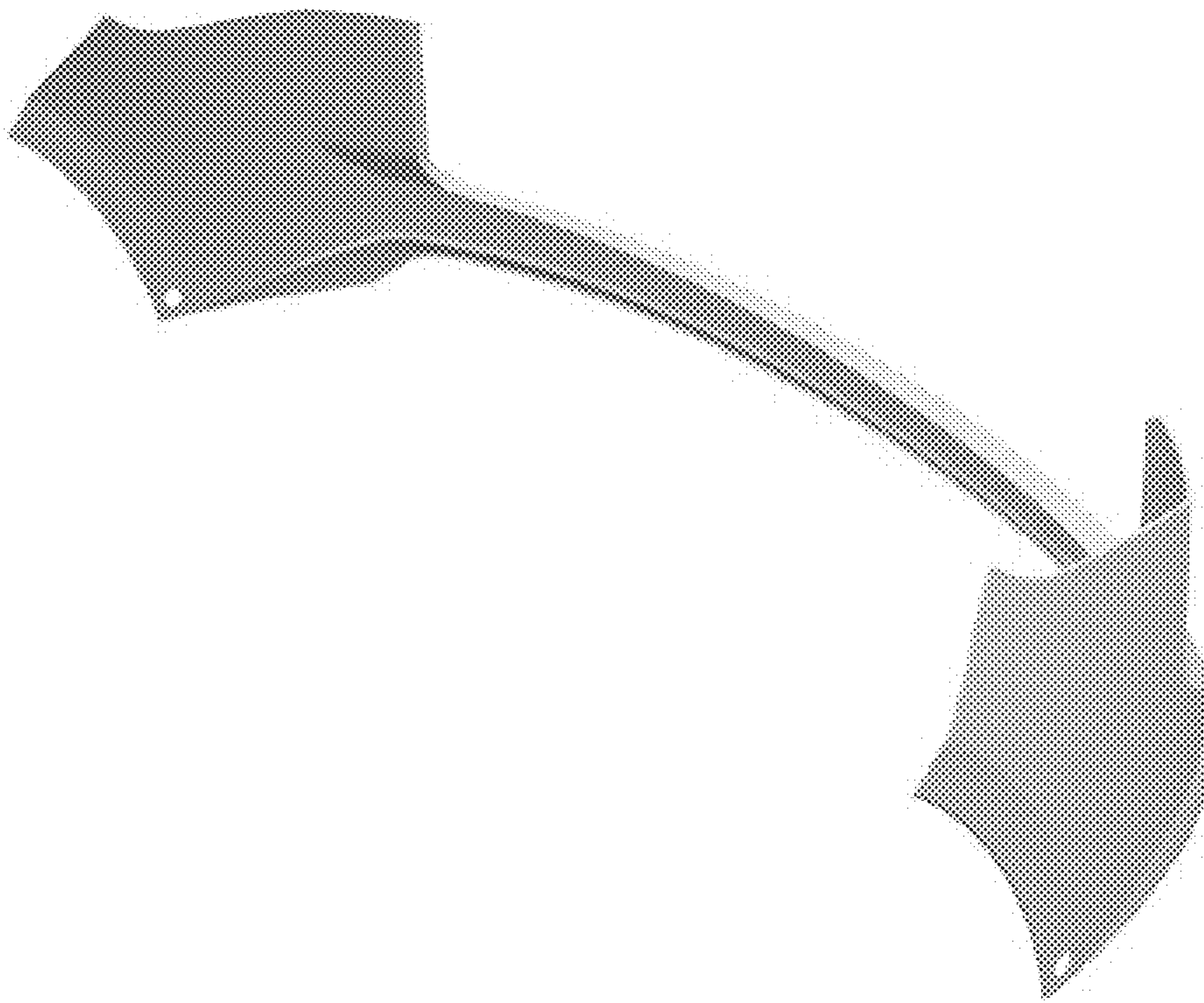


Fig. 2

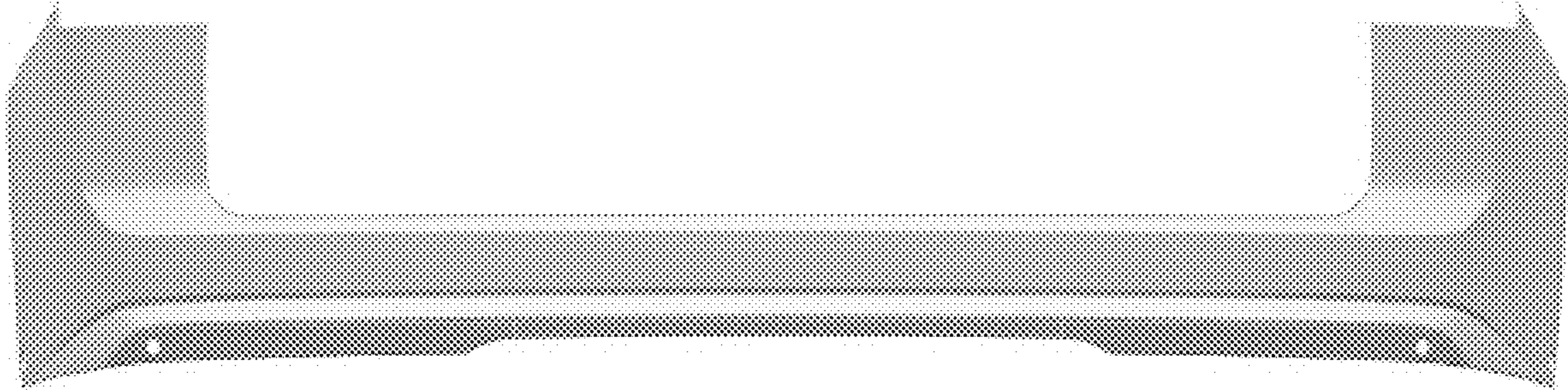


Fig. 3

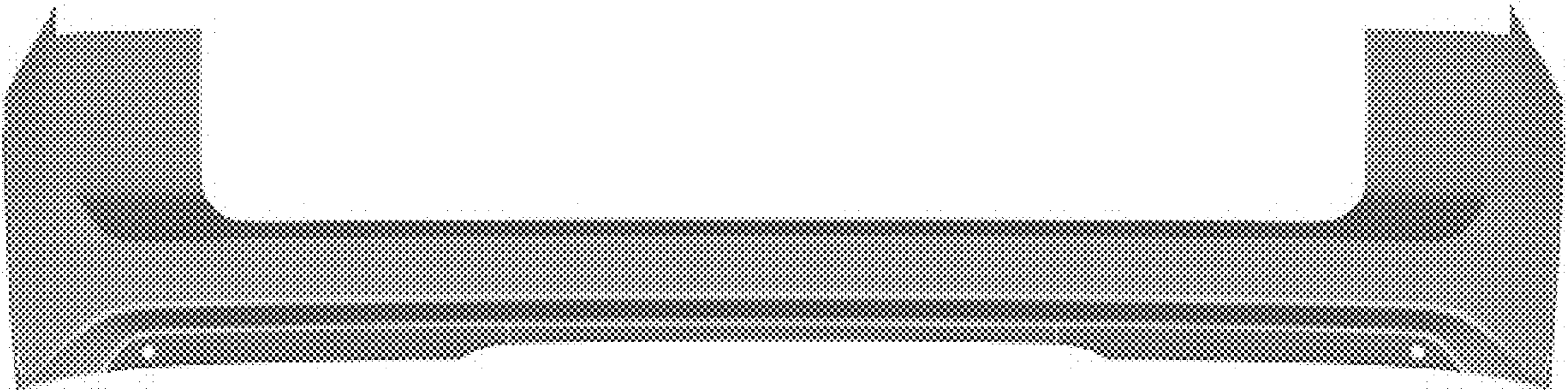


Fig. 4

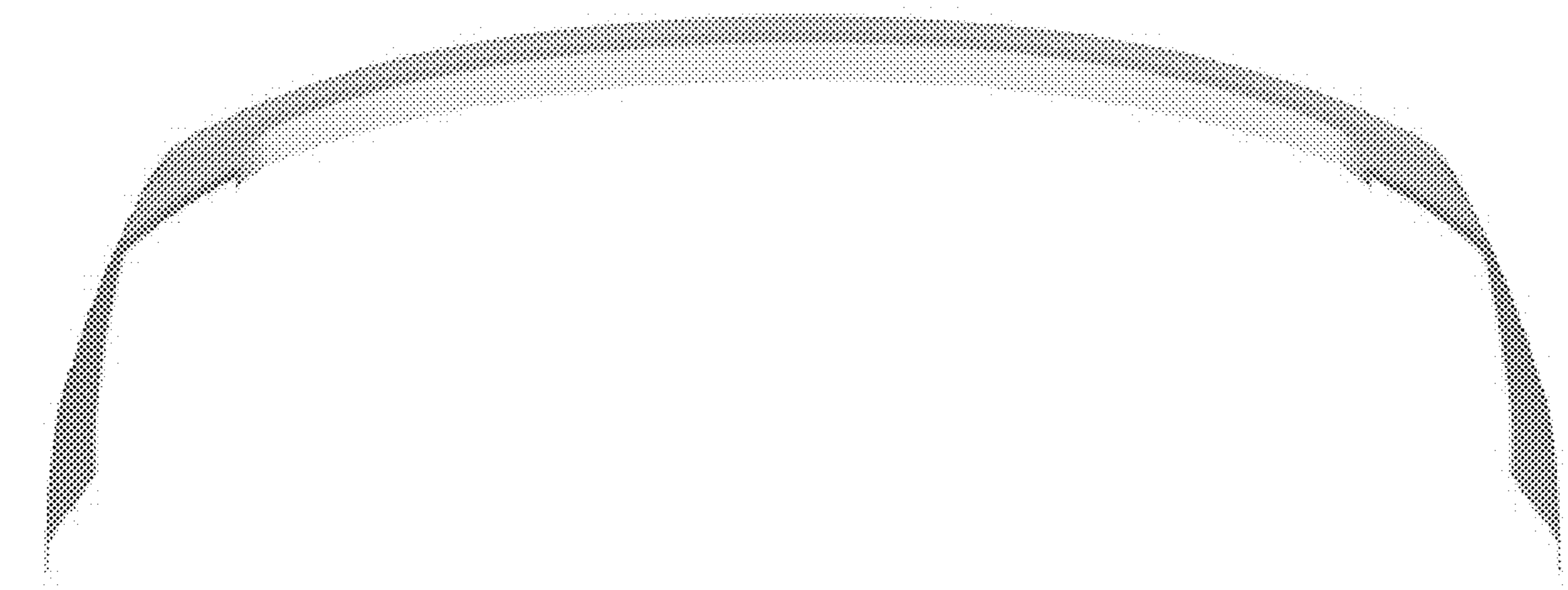


Fig. 5

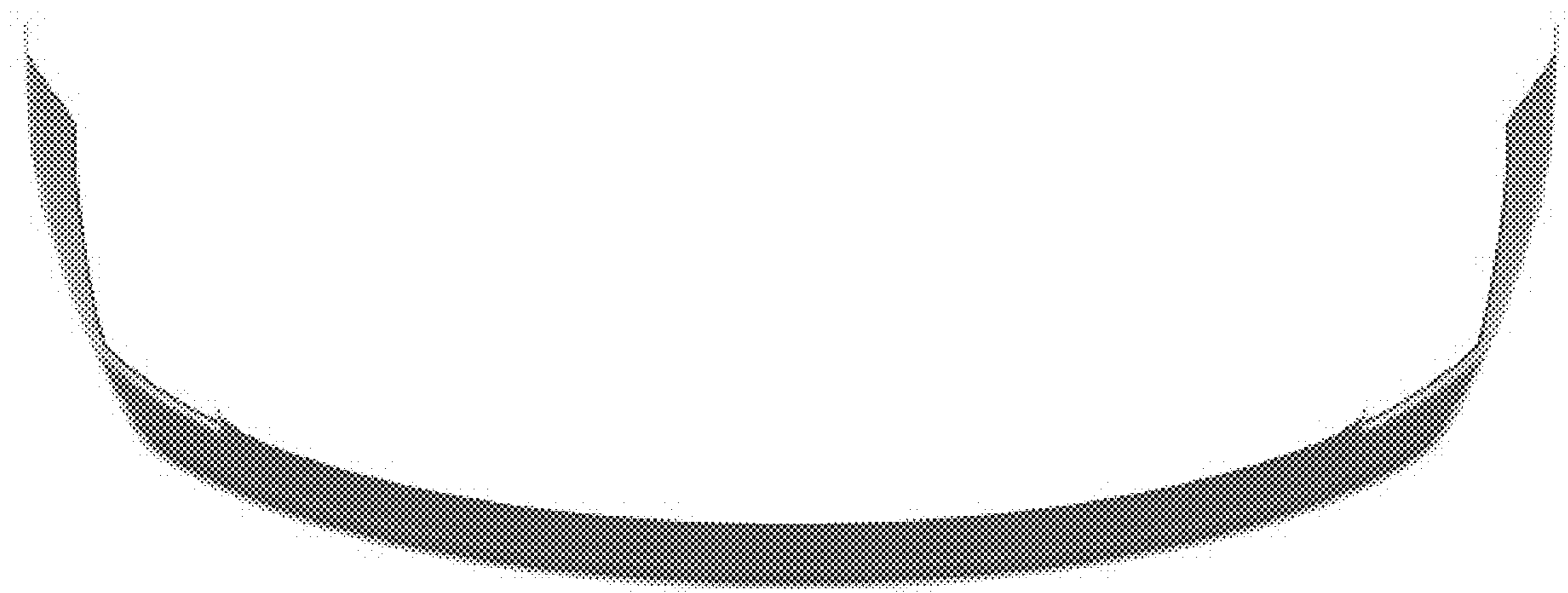


Fig. 6

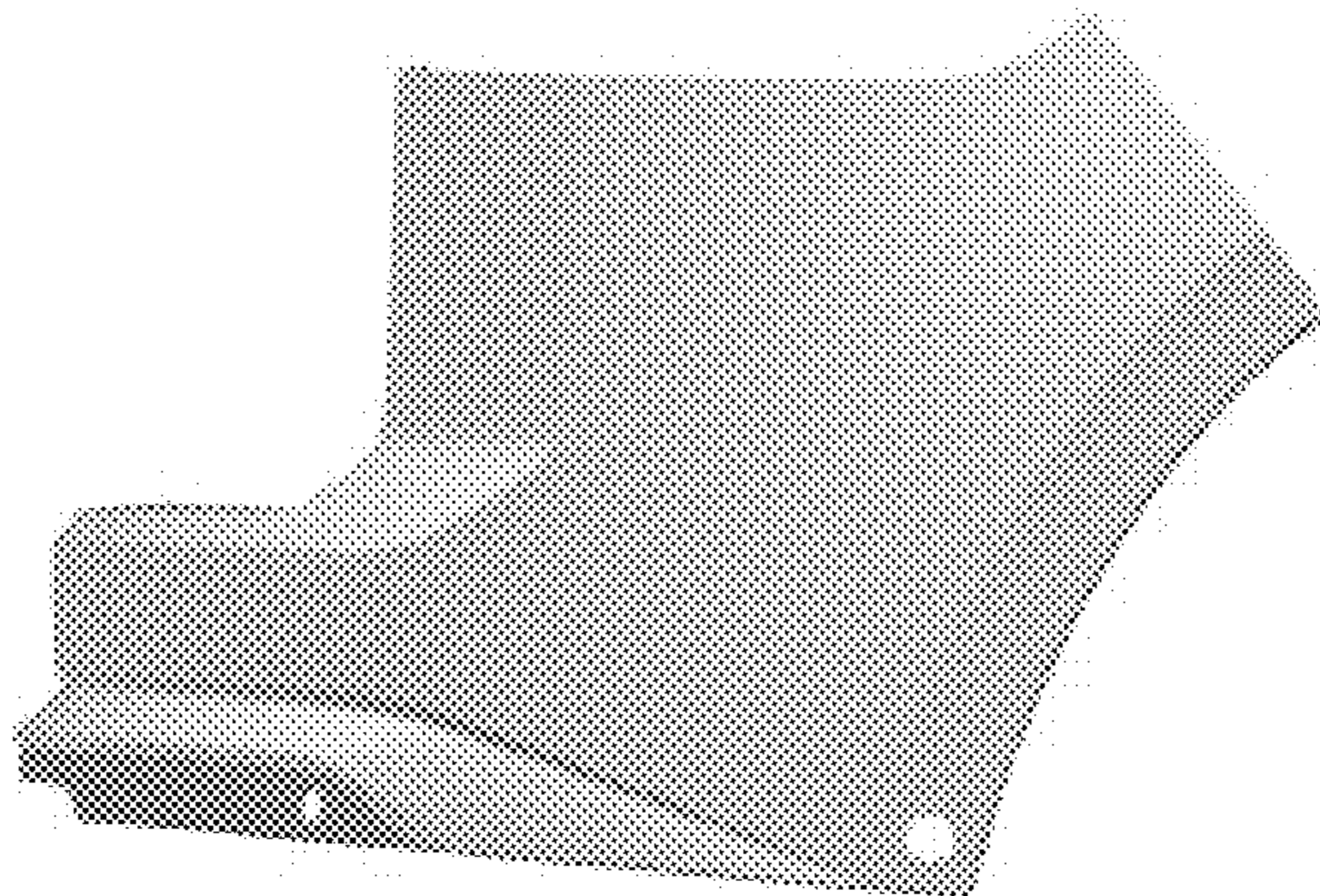


Fig. 7

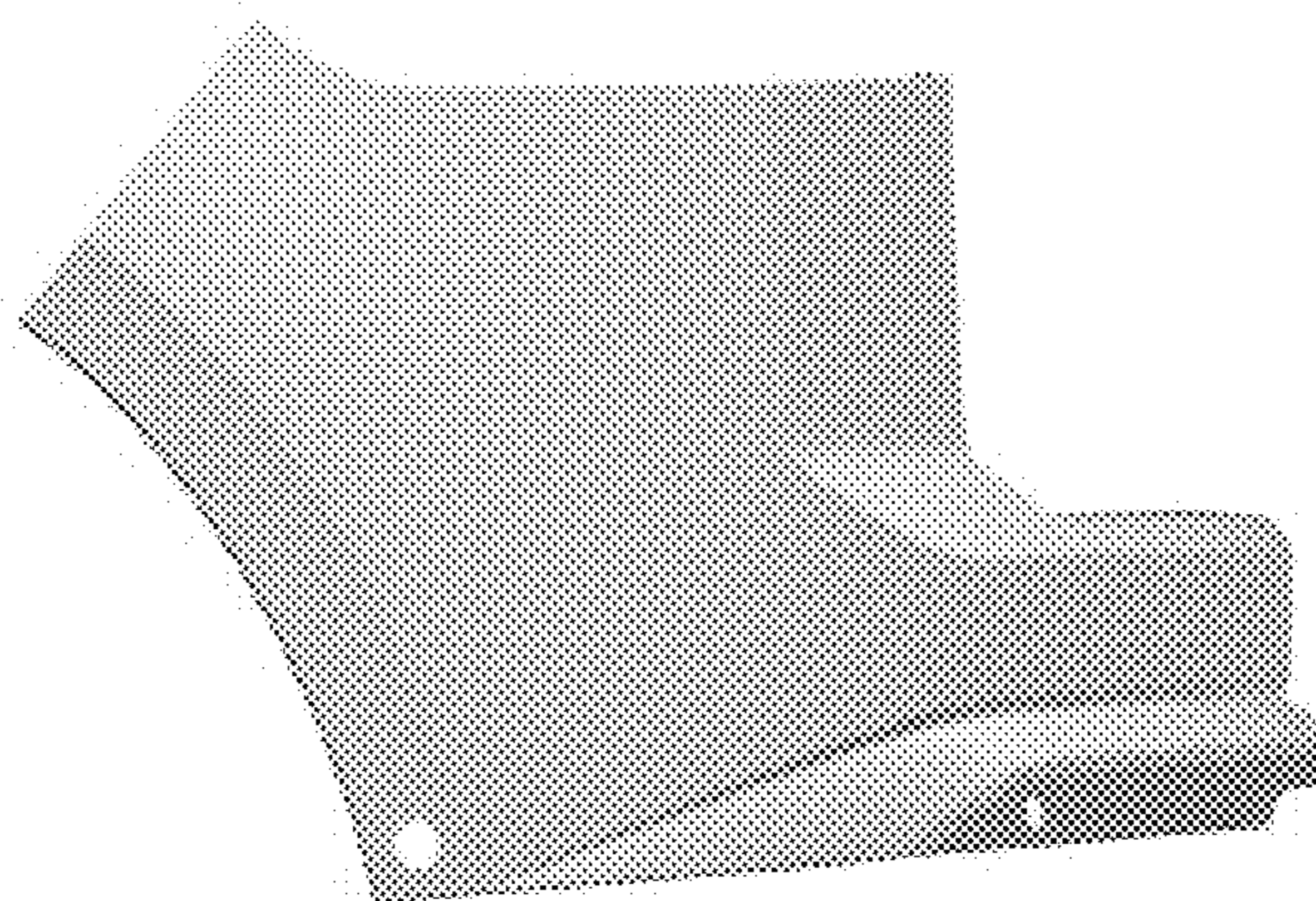


Fig. 8