



US00D914554S

(12) **United States Design Patent** (10) **Patent No.:** **US D914,554 S**
Bischoff et al. (45) **Date of Patent:** **** Mar. 30, 2021**

(54) **VEHICLE BUMPER COVER**
(71) Applicant: **VOLKSWAGEN AKTIENGESELLSCHAFT, Wolfsburg (DE)**
(72) Inventors: **Klaus Bischoff, Wolfsburg (DE); Frank Josef Brüse, Wolfsburg (DE)**
(73) Assignee: **VOLKSWAGEN AKTIENGESELLSCHAFT, Wolfsburg (DE)**

D760,132 S * 6/2016 Choi D12/169
D760,631 S * 7/2016 Choi D12/169
D775,560 S * 1/2017 Choi D12/169
D787,990 S * 5/2017 Kozub D12/169
D800,615 S * 10/2017 Park D12/169
D805,448 S * 12/2017 Chung D12/169
D807,256 S * 1/2018 Piscitelli D12/169
D811,290 S * 2/2018 Ishii D12/169
D811,291 S * 2/2018 Ishigaki D12/169
D811,964 S * 3/2018 Perkins D12/169
D813,739 S * 3/2018 Szavits D12/169
D817,235 S * 5/2018 Bucher D12/169
D819,524 S * 6/2018 Behmer D12/169
D835,549 S * 12/2018 Tamura D12/169

(**) Term: **15 Years**

FOREIGN PATENT DOCUMENTS

(21) Appl. No.: **29/718,447**

WO DM097097 6/2017

(22) Filed: **Dec. 24, 2019**

* cited by examiner

(30) **Foreign Application Priority Data**

Primary Examiner — Melody N Brown

Jun. 27, 2019 (WO) 84792

(74) *Attorney, Agent, or Firm* — Lucas & Mercanti, LLP; Klaus P. Stoffel

(51) **LOC (13) Cl.** **12-16**

(52) **U.S. Cl.**
USPC **D12/169**

(57) **CLAIM**

The ornamental design for a vehicle bumper cover, as shown and described.

(58) **Field of Classification Search**
USPC D12/169, 163, 196, 86, 90-92;
296/180.1, 180.2; 293/102, 115, 117, 120
CPC B60R 2019/25; B62D 25/084
See application file for complete search history.

DESCRIPTION

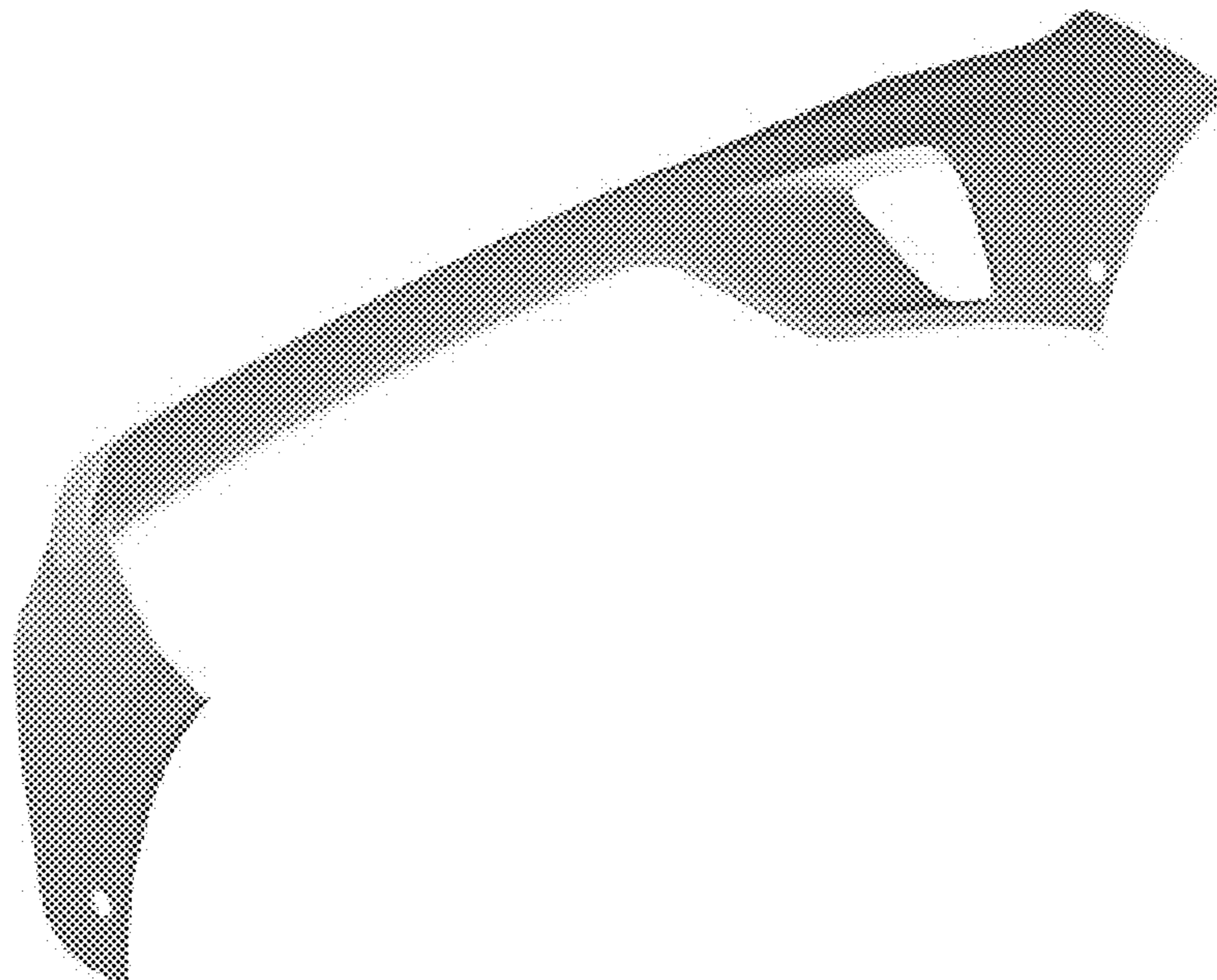
FIG. 1 is a front and left side perspective view of a vehicle front bumper cover showing our new design;
FIG. 2 is a rear and right side perspective view thereof;
FIG. 3 is a front view thereof;
FIG. 4 is a rear view thereof;
FIG. 5 is a top view thereof;
FIG. 6 is a bottom view thereof;
FIG. 7 is a left side view thereof; and,
FIG. 8 is a right side view thereof.

(56) **References Cited**

U.S. PATENT DOCUMENTS

D678,146 S * 3/2013 Behmer D12/169
D695,162 S * 12/2013 Scheinhutte D12/169
D695,164 S * 12/2013 Futschik D12/169
D712,801 S * 9/2014 Kobayashi D12/169
D721,021 S * 1/2015 Hanaoka D12/169
D733,624 S * 7/2015 Morikawa D12/169

1 Claim, 4 Drawing Sheets



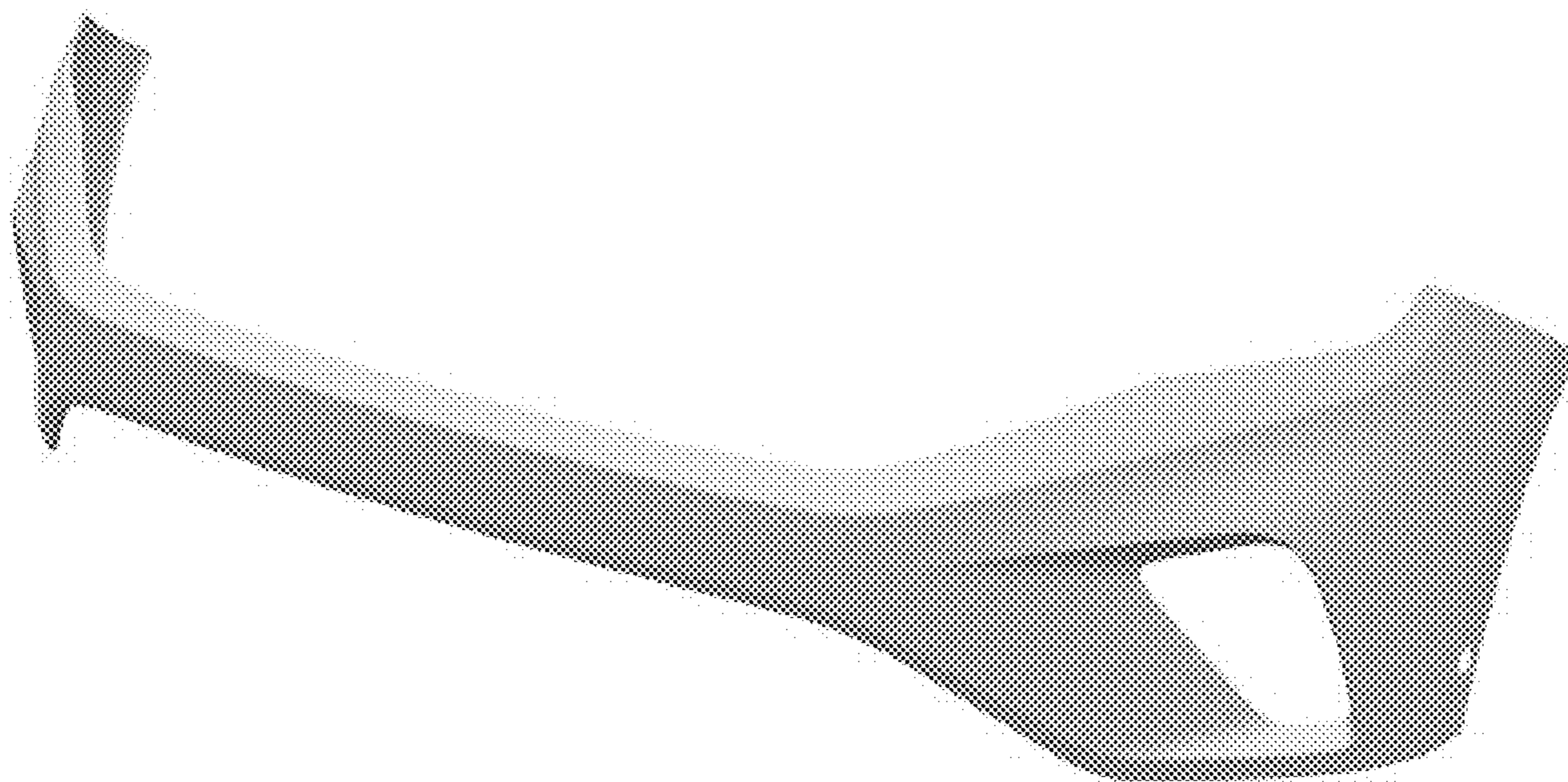


Fig. 1

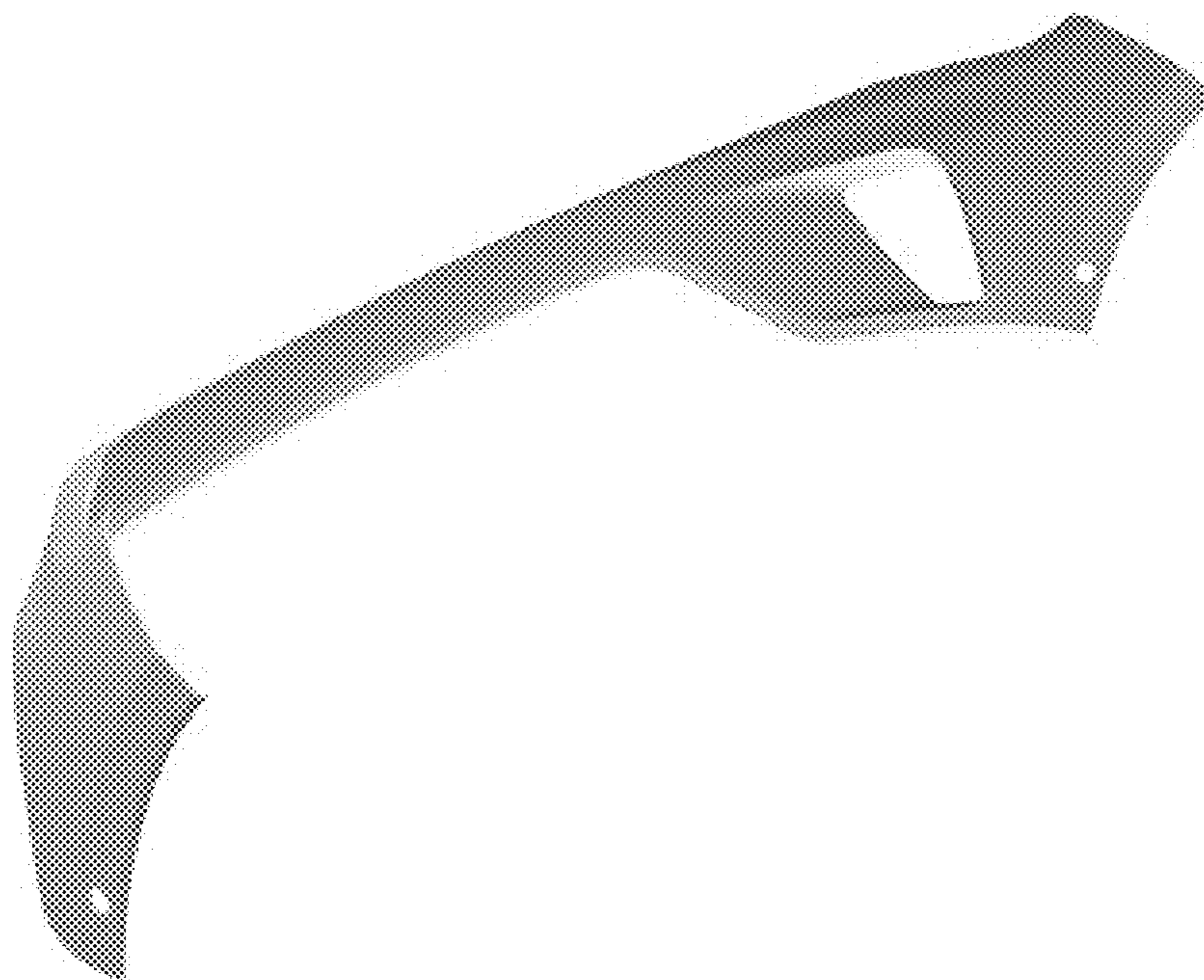


Fig. 2

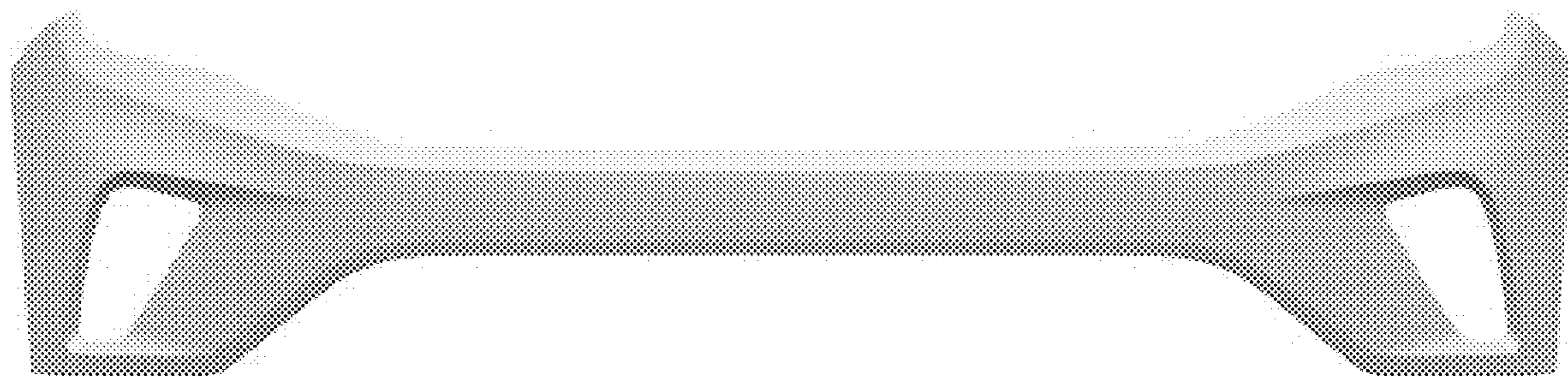


Fig. 3

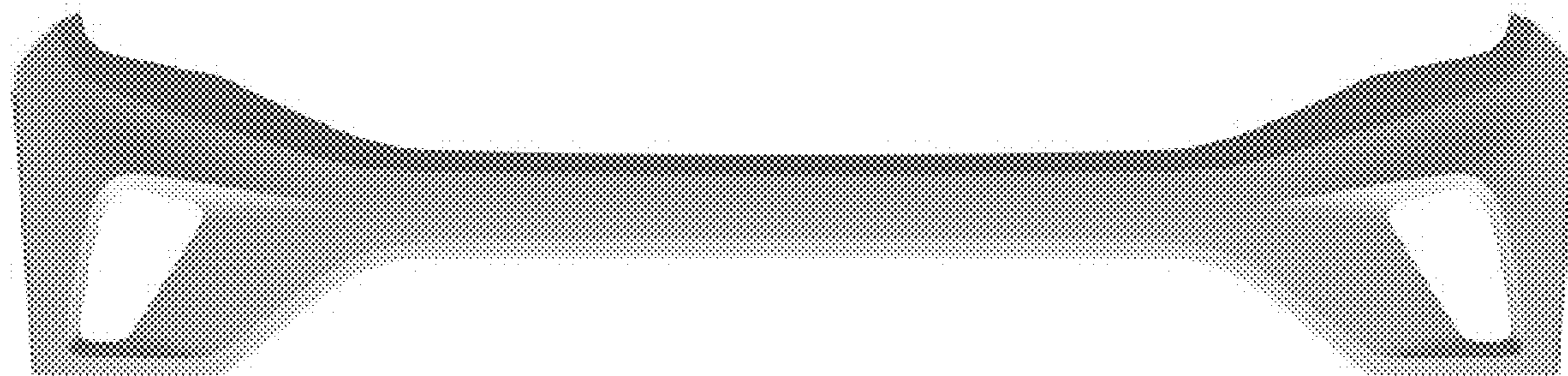


Fig. 4

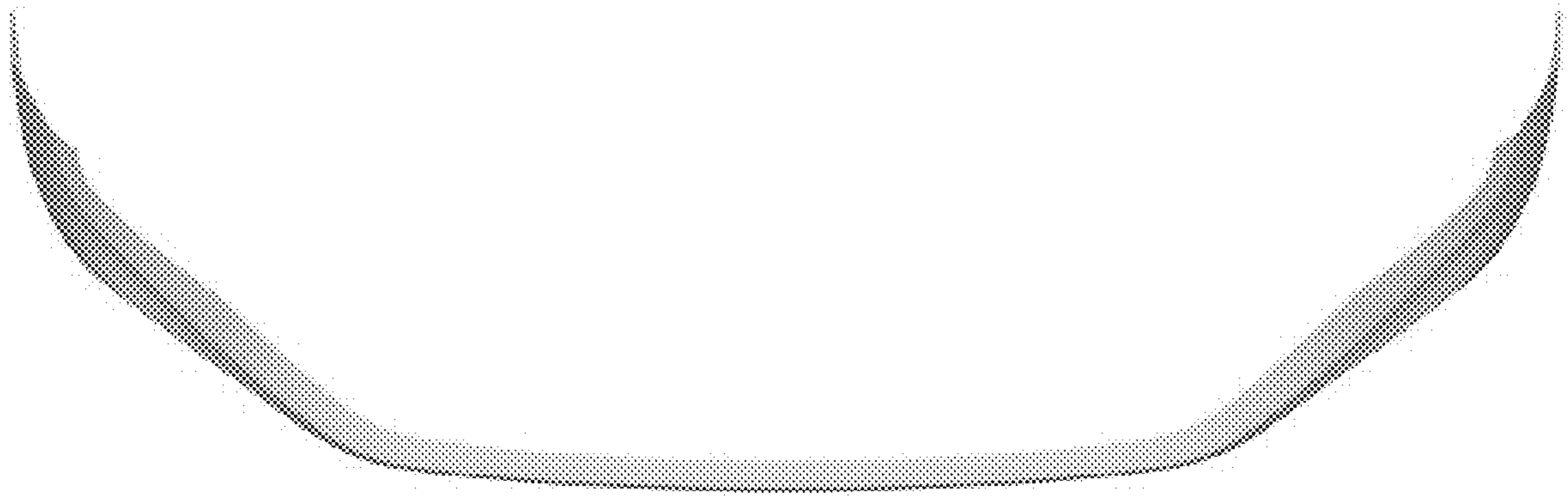


Fig. 5

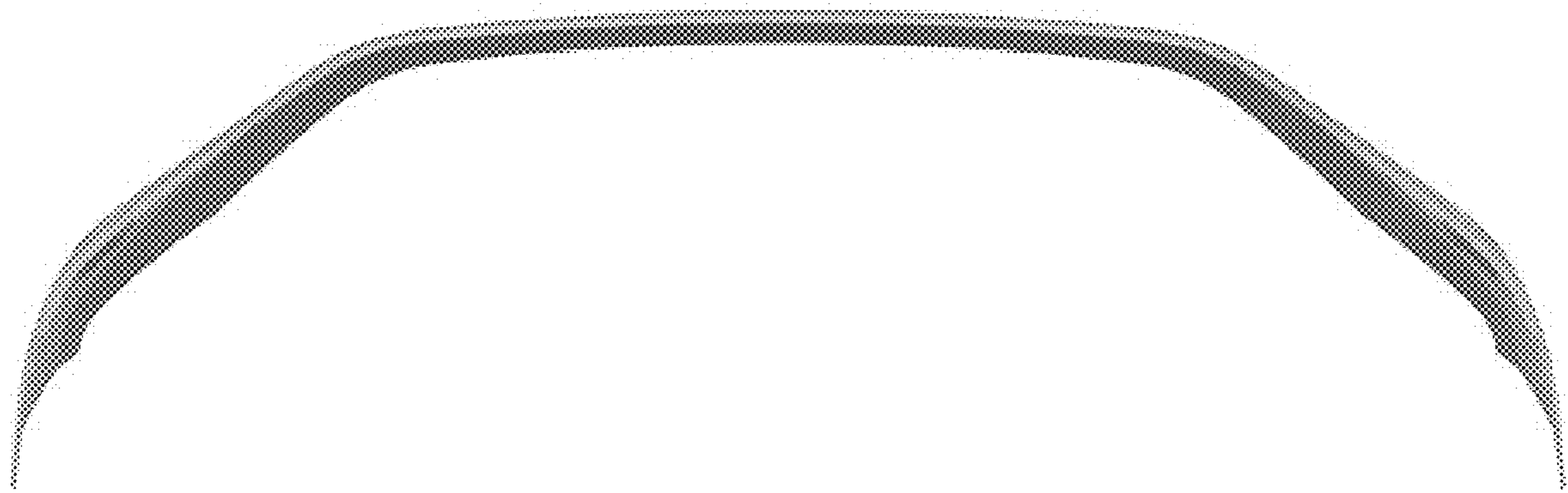


Fig. 6

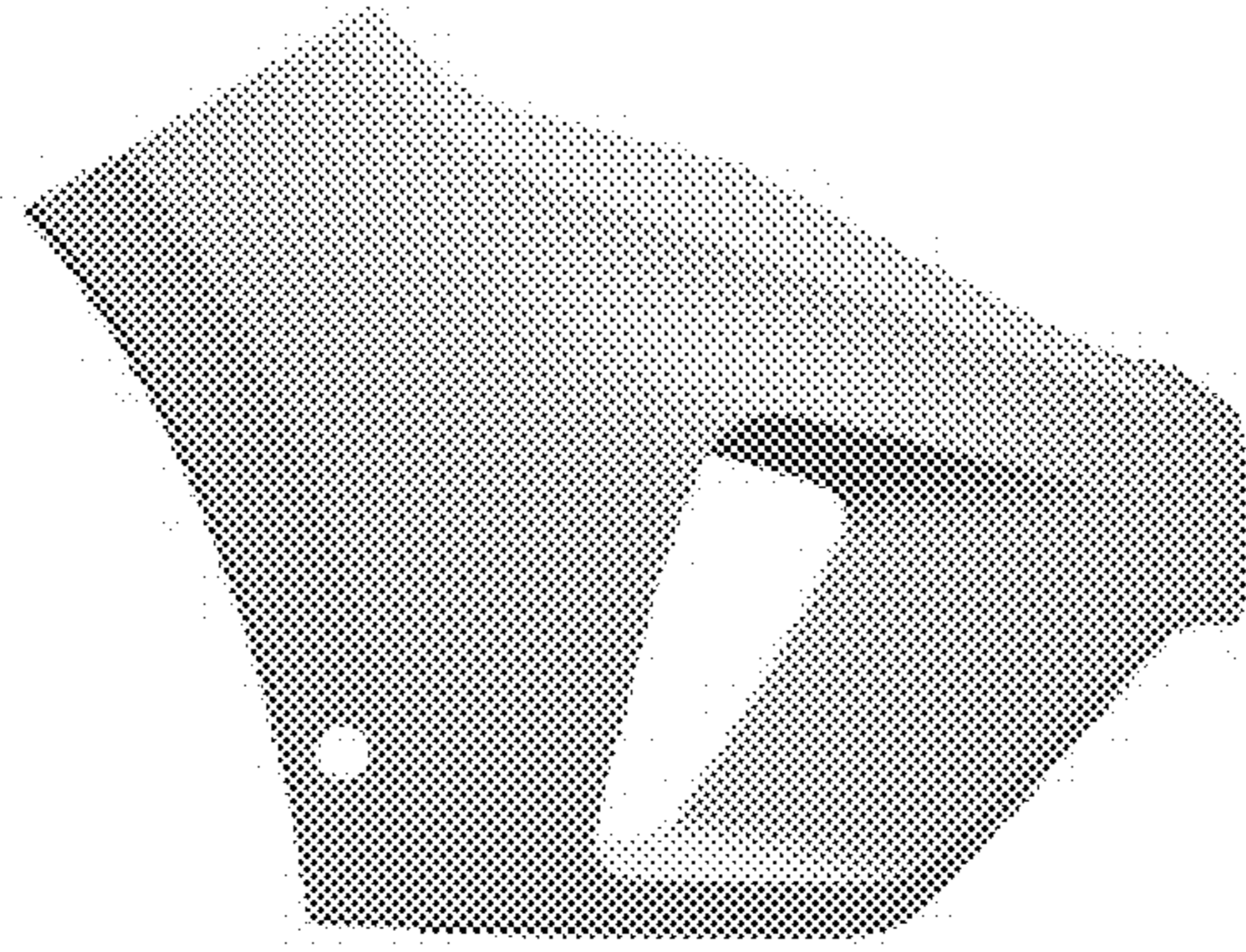


Fig. 7

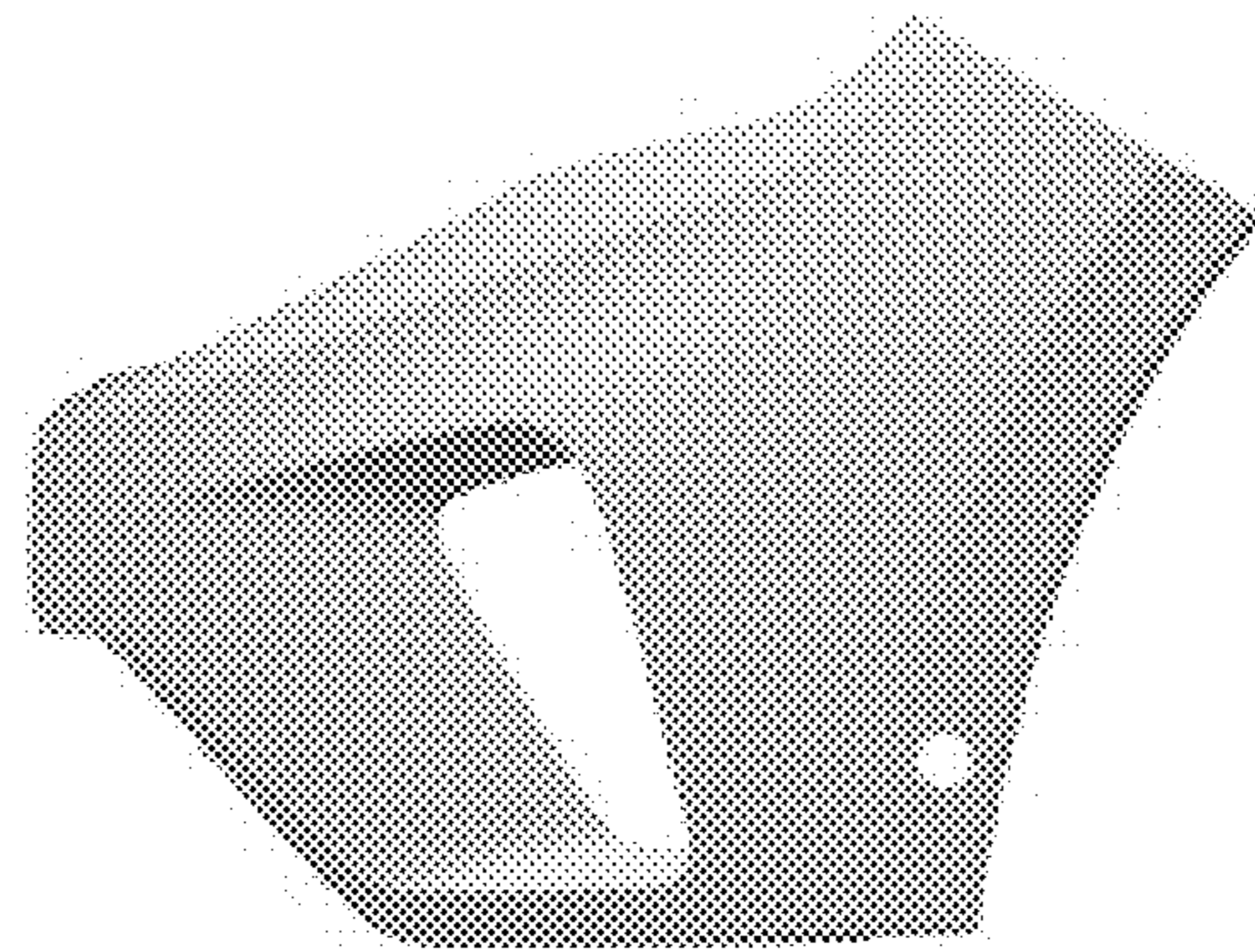


Fig. 8