



US00D914551S

(12) **United States Design Patent** (10) **Patent No.:** **US D914,551 S**  
**Merten et al.** (45) **Date of Patent:** **\*\* Mar. 30, 2021**

(54) **HITCH PIN**  
(71) Applicant: **M Group, Inc.**, Manitowoc, WI (US)  
(72) Inventors: **David J. Merten**, Manitowoc, WI (US);  
**Jay Z. Muchin**, Manitowoc, WI (US);  
**Joshua J. Nelson**, Phoenix, AZ (US)  
(73) Assignee: **M Group, Inc.**, Manitowoc, WI (US)  
(\*\*) Term: **15 Years**  
(21) Appl. No.: **29/710,634**  
(22) Filed: **Oct. 24, 2019**  
(51) **LOC (13) Cl.** ..... **12-16**  
(52) **U.S. Cl.**  
USPC ..... **D12/162**  
(58) **Field of Classification Search**  
USPC ..... D12/159, 160, 161, 162  
CPC . B60D 1/60; B60D 1/065; B60D 1/00; B60D  
1/06; B60D 1/36  
See application file for complete search history.

D855,500 S \* 8/2019 Metternich ..... D12/162  
D862,308 S \* 10/2019 Siegel ..... D12/162  
D863,124 S \* 10/2019 Siegel ..... D12/162  
D873,723 S \* 1/2020 Borkholder ..... D12/162  
D875,620 S \* 2/2020 Watson ..... D12/162  
D876,290 S \* 2/2020 Kirkland ..... D12/162  
D887,910 S \* 6/2020 Noel ..... D12/162  
D888,618 S \* 6/2020 Pang ..... D12/162  
D894,798 S \* 9/2020 Cordeiro ..... D12/162

\* cited by examiner  
*Primary Examiner* — Katrina A Betton  
(74) *Attorney, Agent, or Firm* — Rathe Lindenbaum LLP

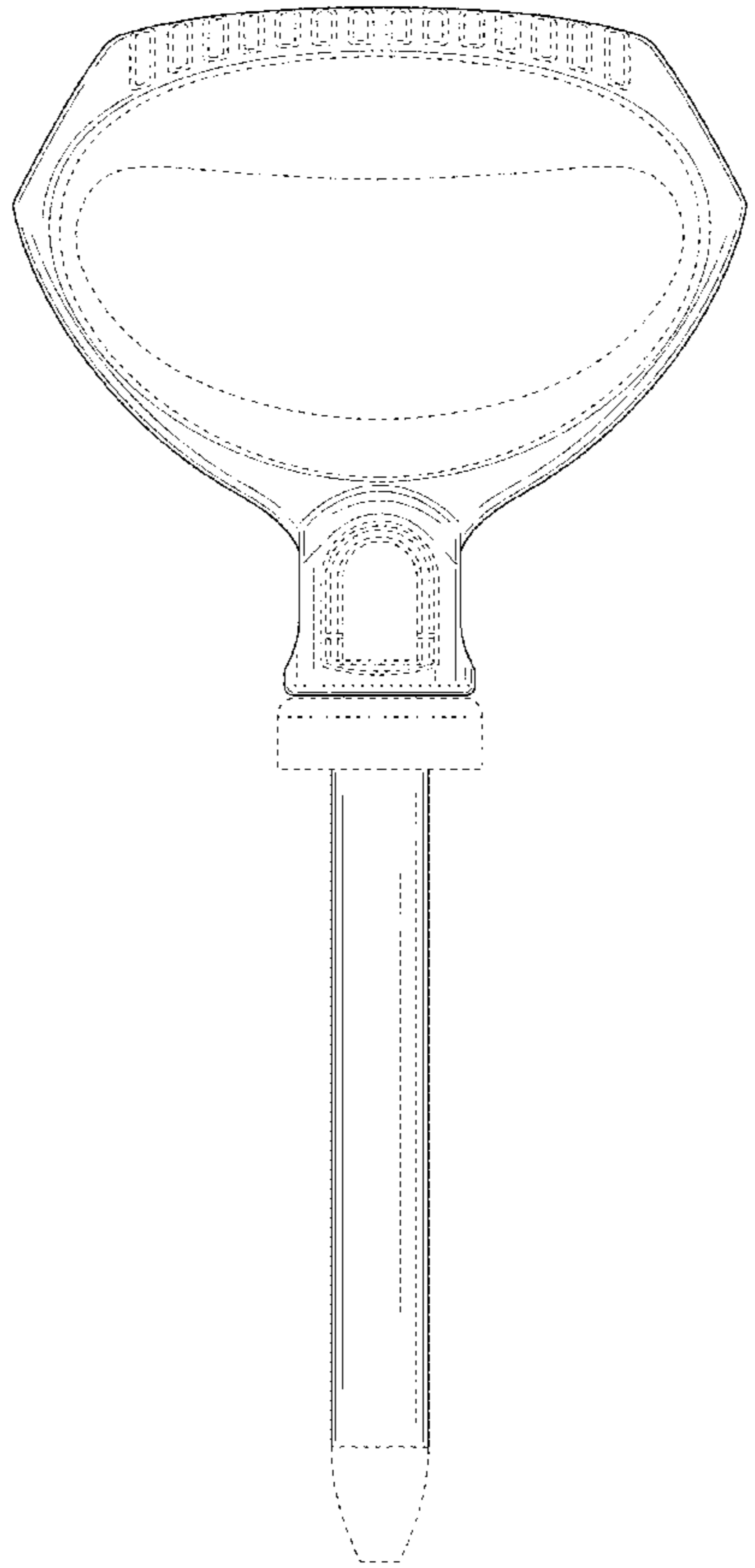
(57) **CLAIM**  
We claim the ornamental design for a hitch pin, as shown and described.

**DESCRIPTION**

FIG. 1 is a front perspective view of a hitch pin;  
FIG. 2 is a front view thereof;  
FIG. 3 is a rear view thereof;  
FIG. 4 is a right side view thereof;  
FIG. 5 is a left side view thereof;  
FIG. 6 is a top view thereof; and,  
FIG. 7 is a bottom view thereof.  
The ornamental design which is claimed is shown in solid lines in the drawings. The broken lines in the drawings comprise contour lines and form no part of the claimed design.

(56) **References Cited**  
U.S. PATENT DOCUMENTS  
D414,732 S \* 10/1999 Redmond ..... D12/162  
D847,037 S \* 4/2019 Hancock ..... D12/162  
D847,698 S \* 5/2019 Moore ..... D12/162  
D855,499 S \* 8/2019 Siegel ..... D12/162

**1 Claim, 5 Drawing Sheets**



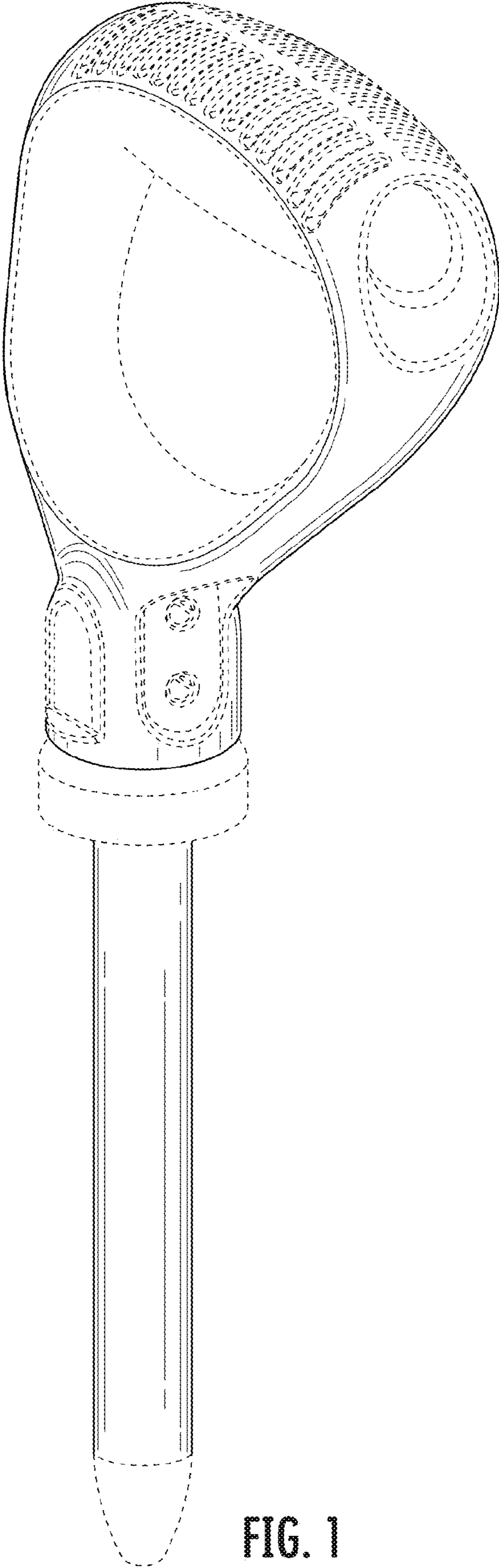


FIG. 1

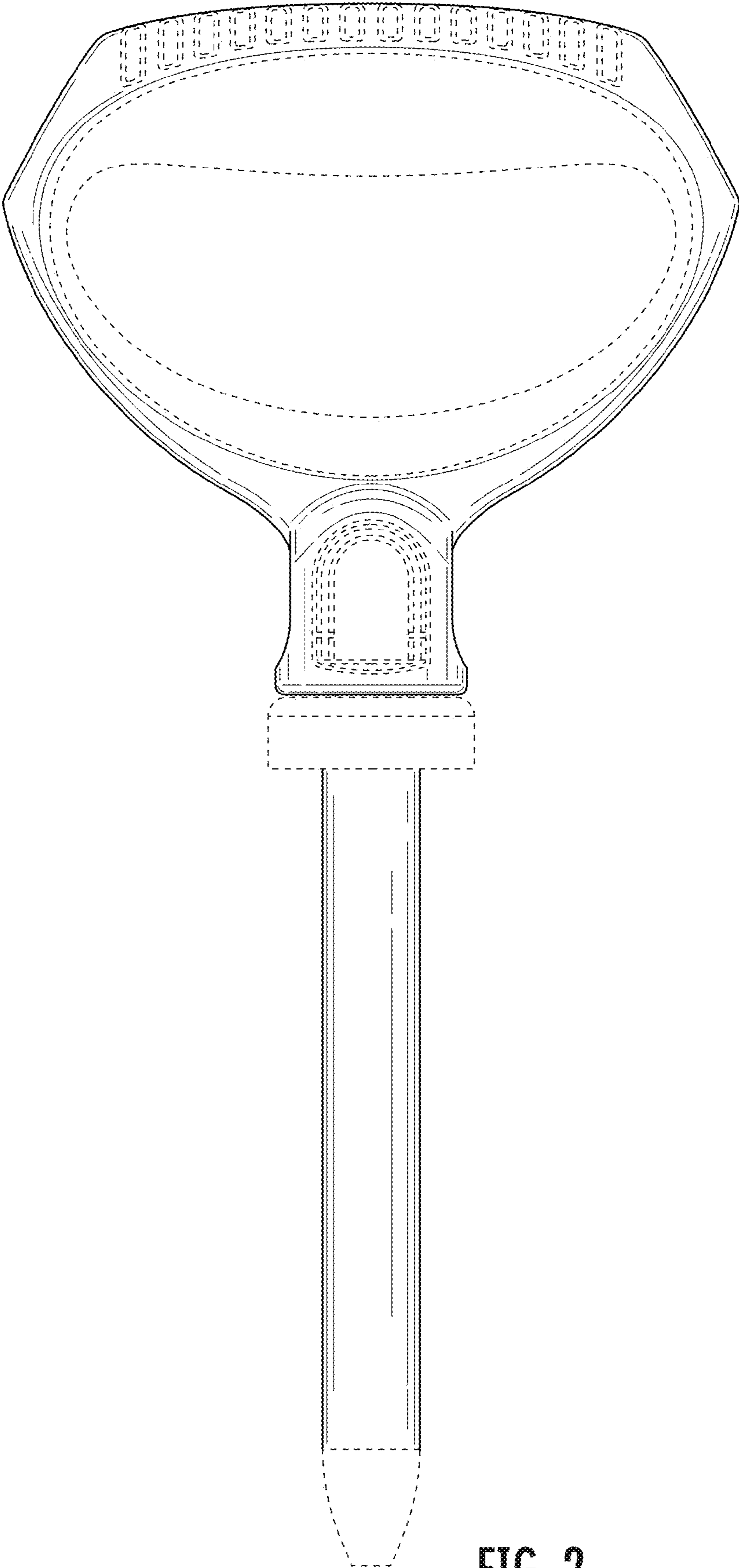


FIG. 2

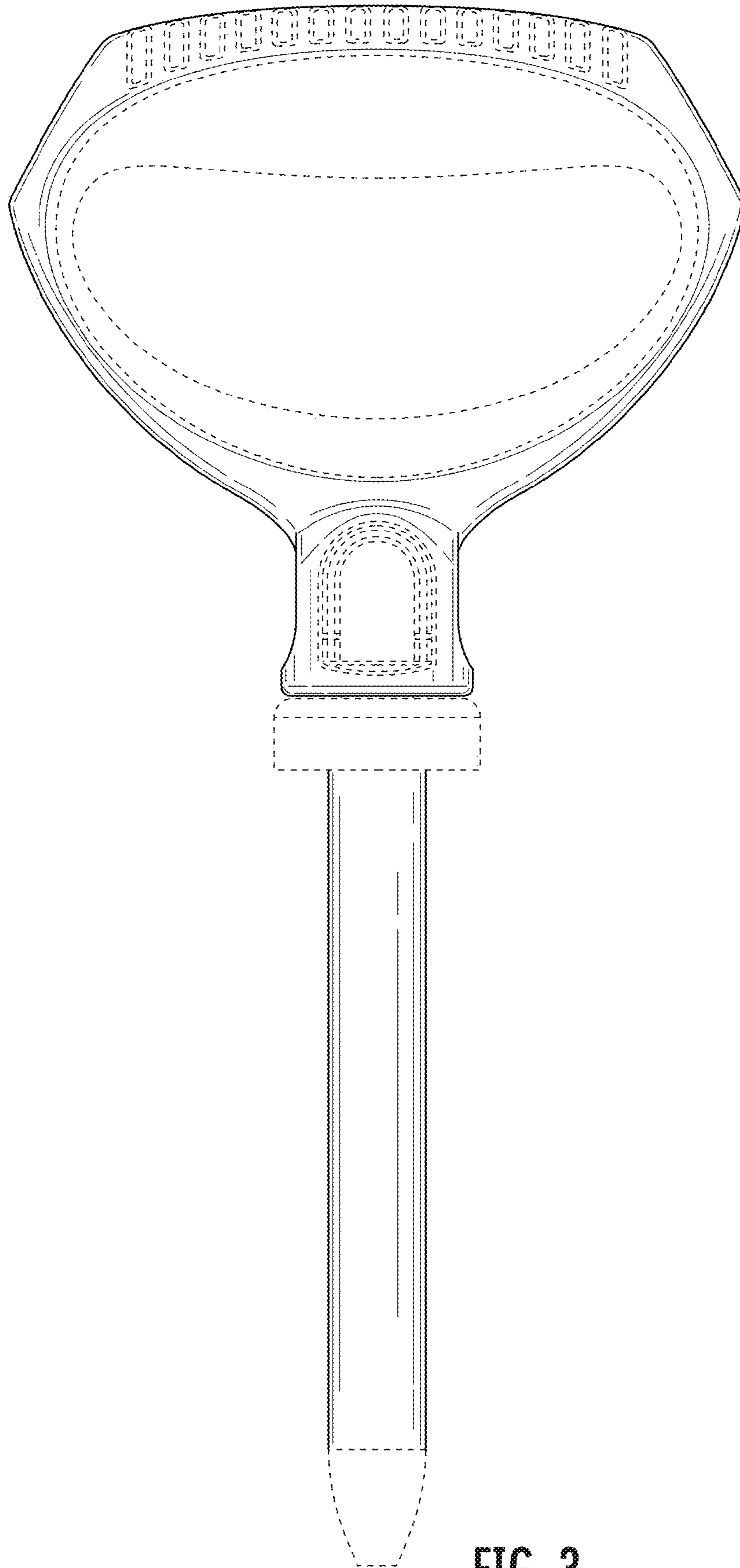


FIG. 3

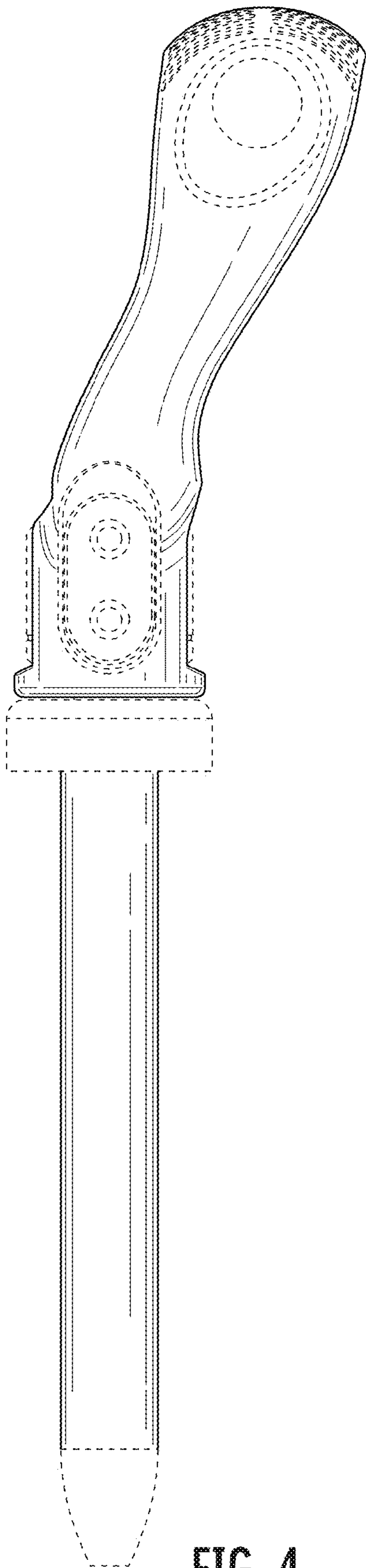


FIG. 4

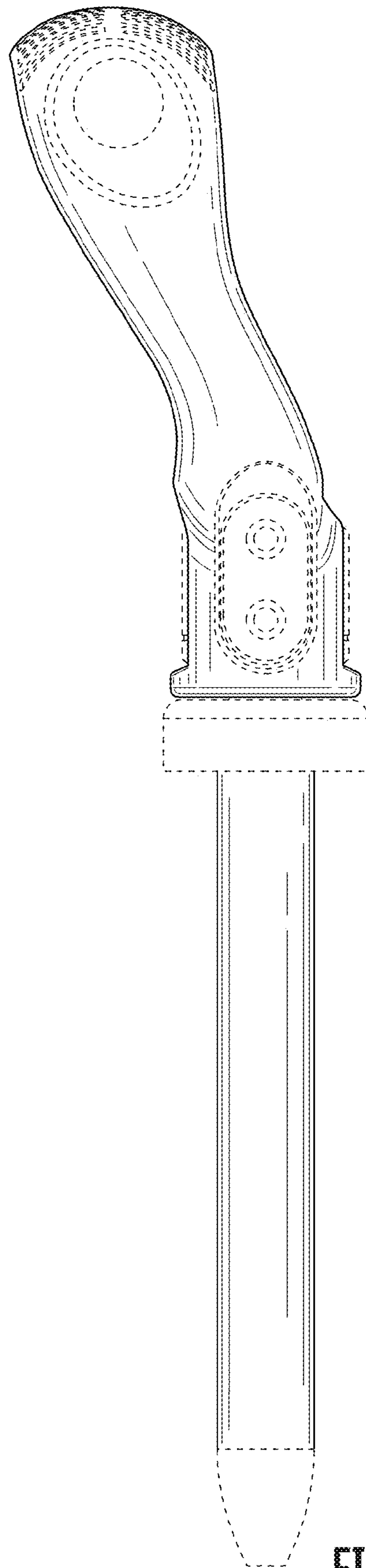


FIG. 5

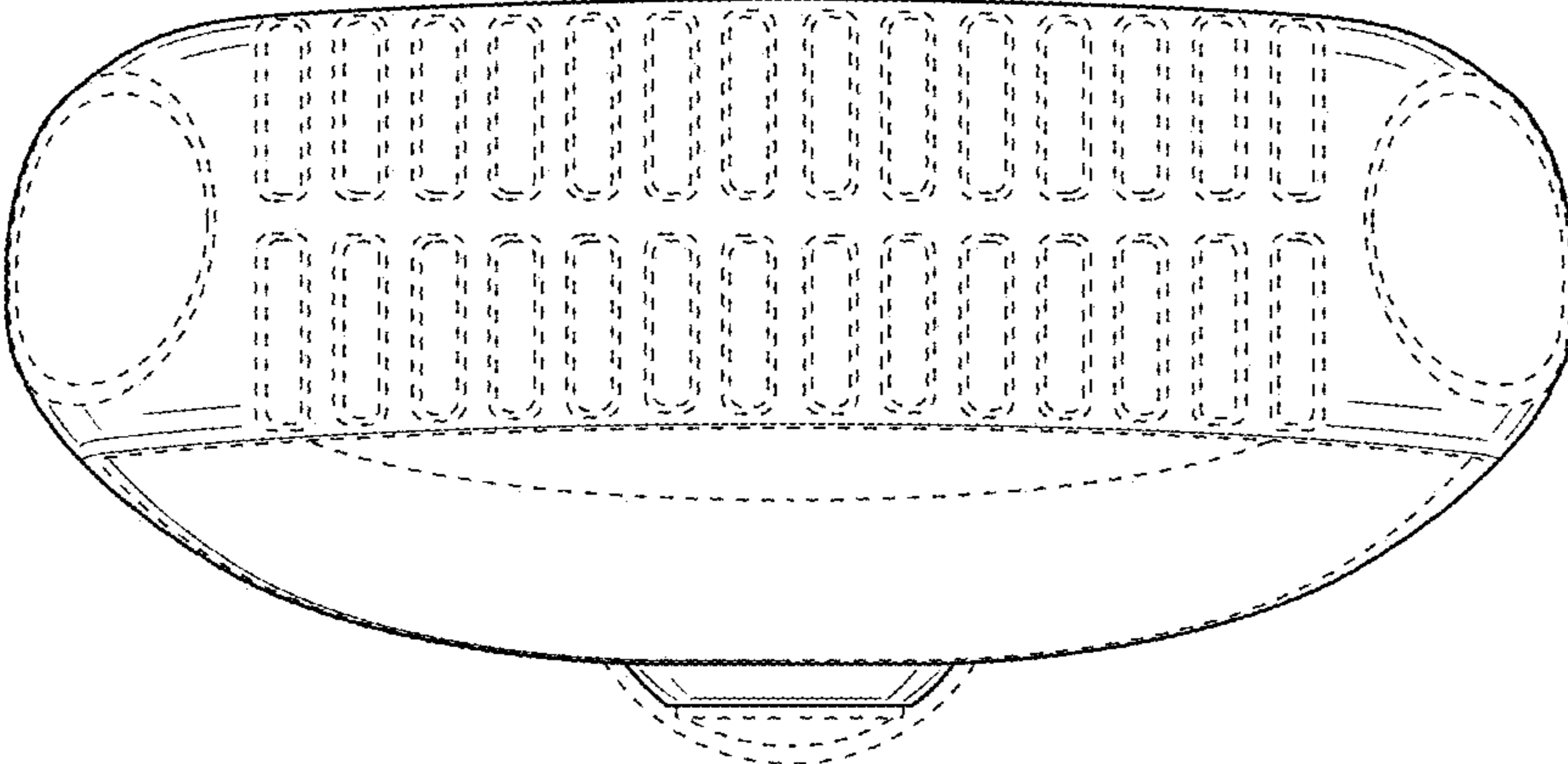


FIG. 6

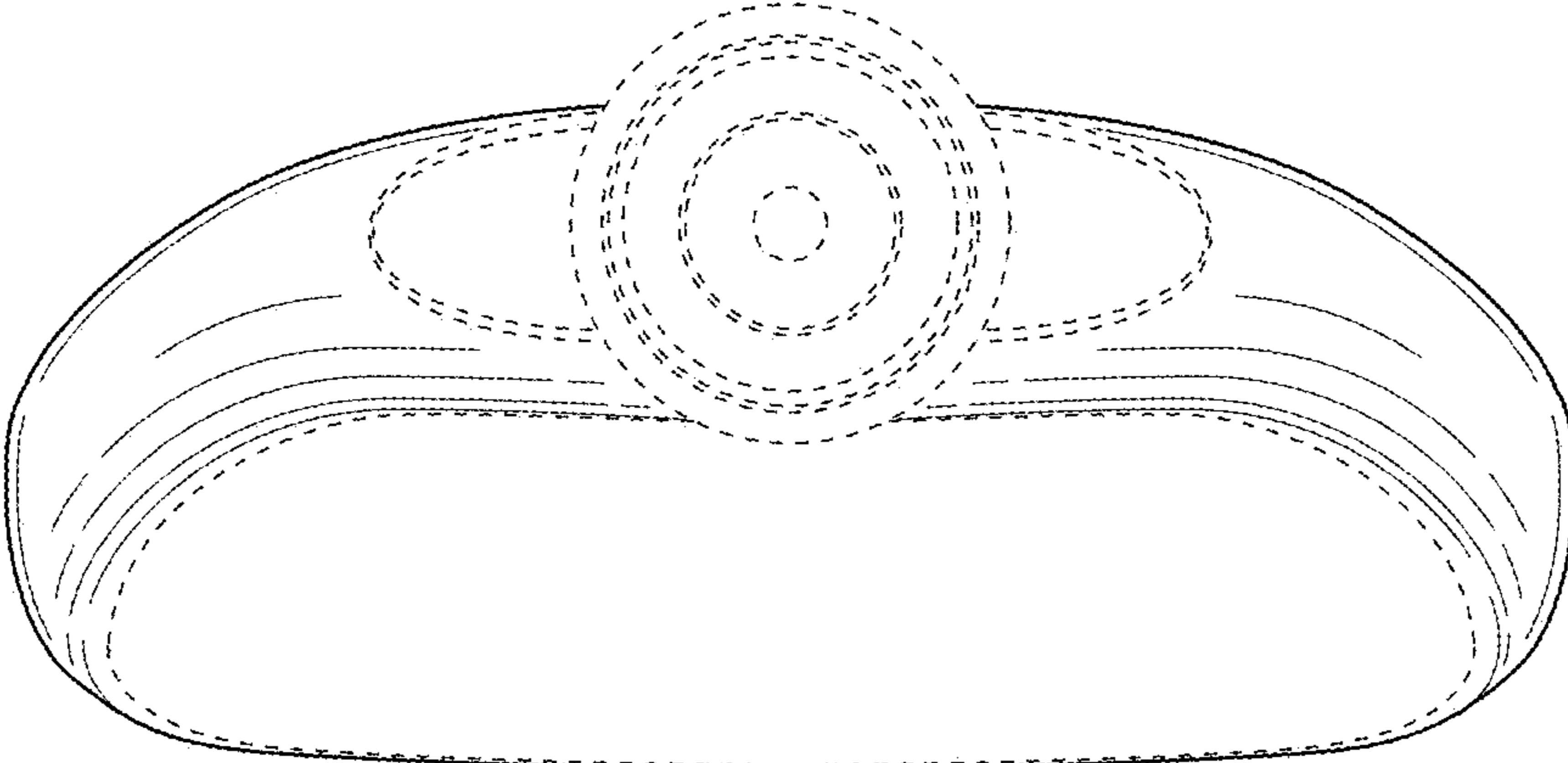


FIG. 7