



US00D914550S

(12) **United States Design Patent**  
**Carroll**

(10) **Patent No.:** **US D914,550 S**  
(45) **Date of Patent:** **\*\* Mar. 30, 2021**

(54) **INTERNALLY THREADED AXLE TUBE AND HUB ASSEMBLY**

(71) Applicant: **Axle Tech Inc.**, Claremore, OK (US)

(72) Inventor: **Todd Carroll**, Claremore, OK (US)

(73) Assignee: **AXLE TECH INC.**, Claremore, OK (US)

(\*\*) Term: **15 Years**

(21) Appl. No.: **29/635,934**

(22) Filed: **Feb. 5, 2018**

**Related U.S. Application Data**

(63) Continuation-in-part of application No. 15/486,611, filed on Apr. 13, 2017, now Pat. No. 10,202,002.

(51) **LOC (13) Cl.** ..... **12-16**

(52) **U.S. Cl.**  
USPC ..... **D12/160**

(58) **Field of Classification Search**

USPC ..... D12/159-162, 400, 207, 213;  
D21/424-426, 430-435, 495, 533-539,  
D21/548-550, 561-563; D8/399

CPC ..... B60D 1/36; B60D 1/363; B60D 1/366;  
B60D 1/40; B60D 1/167; B60D 1/248;  
B60D 1/28; B60D 1/30; B62D 7/16;  
B62D 7/163; B62D 7/166; B62D 7/18;  
B62D 7/20; B62D 7/00; F16C 2326/02;  
F16C 2326/05; F16C 2326/24; B60B  
27/02; B60B 27/06; B60B 27/065; B60B  
35/00; B60B 35/003; B60B 35/004; B60B  
35/006; B60B 35/007; B60B 35/008;  
B60B 35/04; B60B 3/008; B60B 3/08;  
B60B 3/087;

(Continued)

(56) **References Cited**

**U.S. PATENT DOCUMENTS**

844,893 A 2/1907 Raines et al.  
937,316 A 10/1909 Marler  
983,855 A 2/1911 Aton

(Continued)

**FOREIGN PATENT DOCUMENTS**

CA 2358153 A1 \* 4/2002 ..... B60B 27/0057  
WO WO-2019112553 A1 \* 6/2019 ..... B60B 35/1009

**OTHER PUBLICATIONS**

CN-303082275, published at Orbit, publication date Jan. 21, 2015.  
Site visited Jan. 17, 2020. Available from Internet. (Year: 2015).\*

(Continued)

*Primary Examiner* — Kathleen L Jones

(74) *Attorney, Agent, or Firm* — Hesd, Johnson,  
Kachigian & Wilkinson, PC

(57) **CLAIM**

The ornamental design for an internally threaded axle tube and hub assembly, as shown and described.

**DESCRIPTION**

FIG. 1 is a perspective view of an internally threaded axle tube and hub assembly;

FIG. 2 is a front view of the internally threaded axle tube and hub assembly, where the front view, back view, top view, and bottom view are identical;

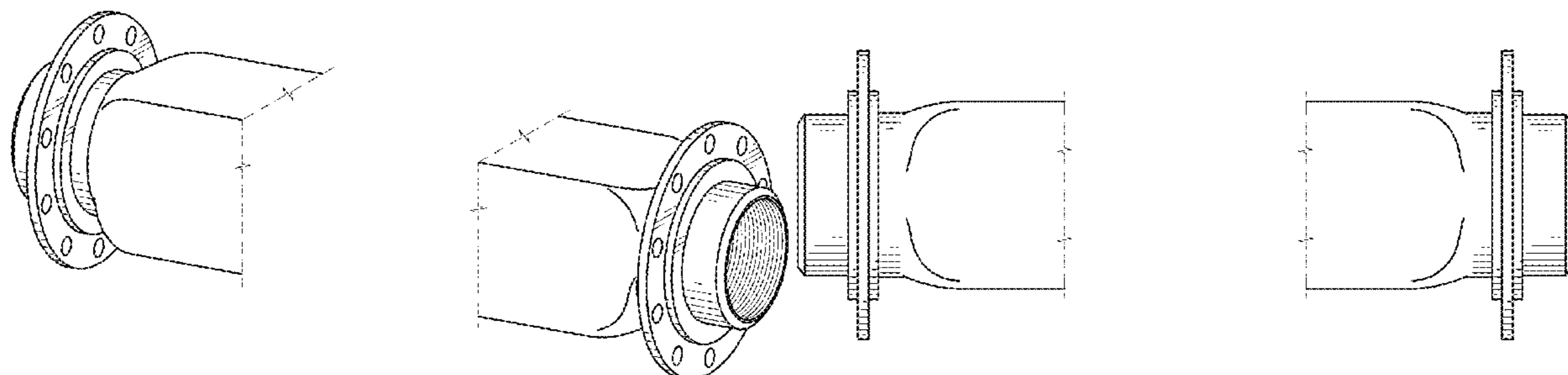
FIG. 3 is a side view of the internally threaded axle tube and hub assembly, where the right side view and the left side view are identical;

FIG. 4 is a cross-sectional front view of the internally threaded axle tube and hub assembly; and,

FIG. 5 is a detailed cross-sectional front view of one end of the internally threaded axle tube and hub assembly.

The appearance of any portion of the internally threaded axle tube and hub assembly between the break lines forms no part of the claimed design.

**1 Claim, 3 Drawing Sheets**



(58) **Field of Classification Search**  
 CPC ..... B60B 3/16; B60B 3/165; B60B 2380/772;  
 B60G 2206/50  
 See application file for complete search history.

(56) **References Cited**

U.S. PATENT DOCUMENTS

1,001,905 A 8/1911 Tuller  
 1,008,875 A 11/1911 Tension  
 1,028,090 A 5/1912 Wilson  
 2,804,157 A \* 8/1957 Preston ..... B60B 35/121  
 180/340  
 3,715,935 A 2/1973 Ebey  
 D242,442 S \* 11/1976 Garrison ..... D12/114  
 4,363,522 A 12/1982 Palovcik  
 4,400,038 A \* 8/1983 Hosokawa ..... B60B 27/023  
 280/288  
 4,571,795 A \* 2/1986 Shiets ..... B22D 19/10  
 29/26 B  
 4,592,596 A 6/1986 Trautloff  
 4,674,163 A 6/1987 Nugler  
 4,768,839 A 9/1988 Spindler  
 4,792,080 A 12/1988 Ferrari  
 4,890,889 A \* 1/1990 Burgett ..... B60B 35/14  
 301/132  
 D314,935 S \* 2/1991 Collins ..... D12/160  
 5,048,979 A \* 9/1991 Coates ..... F16C 19/548  
 384/519  
 D325,368 S \* 4/1992 Cha ..... D12/207  
 D330,356 S \* 10/1992 Tapio ..... D12/159  
 D332,979 S \* 2/1993 Tsuchiya ..... D21/562  
 D338,184 S \* 8/1993 Ringle' ..... D12/207  
 D340,888 S \* 11/1993 Ringle ..... D12/207  
 D358,119 S \* 5/1995 Winter ..... D12/160  
 5,429,204 A \* 7/1995 Tuholski ..... B60K 17/26  
 180/247  
 5,460,254 A \* 10/1995 Huang ..... B60B 27/023  
 192/46  
 D365,310 S \* 12/1995 Chen ..... D12/207  
 D381,310 S \* 7/1997 Zemlicka ..... D12/207  
 D397,737 S \* 9/1998 Harrod ..... D21/434  
 6,024,418 A 2/2000 Ebert  
 D431,513 S \* 10/2000 Lovitt, Jr. .... D12/207  
 D445,077 S \* 7/2001 Lovitt, Jr. .... D12/207  
 D462,256 S \* 9/2002 Jaynes ..... D12/160  
 6,616,156 B1 \* 9/2003 Dudding ..... B62D 7/18  
 280/93.512  
 D569,313 S \* 5/2008 Korner ..... D12/159  
 D573,922 S \* 7/2008 Gibson ..... D12/159  
 D677,198 S \* 3/2013 Verbowski ..... D12/159  
 8,827,285 B1 9/2014 Su  
 D719,493 S \* 12/2014 Mochinaga ..... D12/160  
 D748,760 S \* 2/2016 Lohmann ..... D23/259  
 D766,142 S \* 9/2016 Renshaw ..... D12/159  
 D799,383 S \* 10/2017 Kong ..... D12/159  
 D807,260 S \* 1/2018 Young ..... D12/180  
 D817,821 S \* 5/2018 Baba ..... D12/160  
 D823,212 S \* 7/2018 Prasad ..... D12/207

D843,892 S \* 3/2019 De Roeck ..... D12/101  
 D844,525 S \* 4/2019 Villamizar ..... D12/207  
 D844,526 S \* 4/2019 Villamizar ..... D12/207  
 D848,906 S \* 5/2019 Carroll ..... B23P 6/00  
 D12/160  
 10,308,070 B1 \* 6/2019 Carroll ..... B60B 35/08  
 D852,684 S \* 7/2019 Carlini ..... D12/159  
 D877,015 S \* 3/2020 Chen ..... D12/207  
 D879,205 S \* 3/2020 Ostergaard ..... D21/425  
 D879,885 S \* 3/2020 Ostergaard ..... D21/425  
 10,718,368 B2 \* 7/2020 Rode ..... F16B 39/32  
 10,737,719 B2 \* 8/2020 Johnson ..... B62D 7/18  
 2006/0042887 A1 \* 3/2006 Powers ..... B60G 9/00  
 188/18 A  
 2008/0211295 A1 \* 9/2008 Bartlett ..... B62K 25/02  
 301/124.2  
 2009/0284362 A1 \* 11/2009 Wilson ..... B60C 23/003  
 340/449  
 2009/0302672 A1 \* 12/2009 Brooks ..... B60B 35/12  
 301/128  
 2010/0253029 A1 \* 10/2010 Blough ..... A01F 15/08  
 280/124.116  
 2015/0096825 A1 \* 4/2015 Goethe ..... B60K 17/22  
 180/379  
 2015/0367681 A1 \* 12/2015 Pale ..... B21K 21/12  
 301/126  
 2016/0347362 A1 \* 12/2016 Bloink ..... B62D 7/18  
 2017/0206720 A1 \* 7/2017 Ellis ..... B60B 27/065  
 2017/0284482 A1 \* 10/2017 Gerhardt ..... F16D 41/28  
 2017/0313129 A1 \* 11/2017 Garrett ..... B60B 35/025  
 2018/0056732 A1 \* 3/2018 Ingram ..... B60C 23/003  
 2018/0281517 A1 \* 10/2018 Gordon ..... B62D 21/11  
 2018/0340584 A1 \* 11/2018 Wittlinger ..... F16D 65/12  
 2019/0331173 A1 \* 10/2019 Eschenburg ..... F16D 25/082  
 2020/0009911 A1 \* 1/2020 Levinson ..... B23K 20/129  
 2020/0078885 A1 \* 3/2020 Ferrari ..... B23K 37/0443

OTHER PUBLICATIONS

CN-301361042, published at Orbit, publication date Oct. 6, 2010. Site visited Jan. 17, 2020. Available from Internet. (Year: 2010).\*

CN-303058949, published at Orbit, publication date Dec. 13, 2014. Site visited Jan. 17, 2020. Available from Internet. (Year: 2014).\*

Heavy duty trailer axle spindle, posted at Alibaba, posting date Aug. 26, 2014. Site visited Jan 17, 2020. URL: <[https://www.alibaba.com/product-detail/Heavy-duty-trailer-axle-spindle\\_1866258591.html](https://www.alibaba.com/product-detail/Heavy-duty-trailer-axle-spindle_1866258591.html)> (Year: 2014).\*

Machining custom lathe shaft axle trailer 304 stainless steel diy cnc spindle, posted at Alibaba, posting date Jul. 21, 2017. Site visited Jan. 17, 2020. URL: <[https://www.alibaba.com/proouct-detail/Machining-custom-lathe-shaft-axle-trailer\\_60676290855.html](https://www.alibaba.com/proouct-detail/Machining-custom-lathe-shaft-axle-trailer_60676290855.html)> (Year: 2017).\*

Lazy hub stub axle spindle boat trailer galvanizing marine chassis parts, posted at Alibaba, posting date Aug. 6, 2016. Site visited Jan. 17, 2020. URL: <[https://www.alibaba.com/product-detail/Lazy-hub-stub-axle-spindle-boat\\_60472731801.html](https://www.alibaba.com/product-detail/Lazy-hub-stub-axle-spindle-boat_60472731801.html)> (Year: 2016).\*

\* cited by examiner



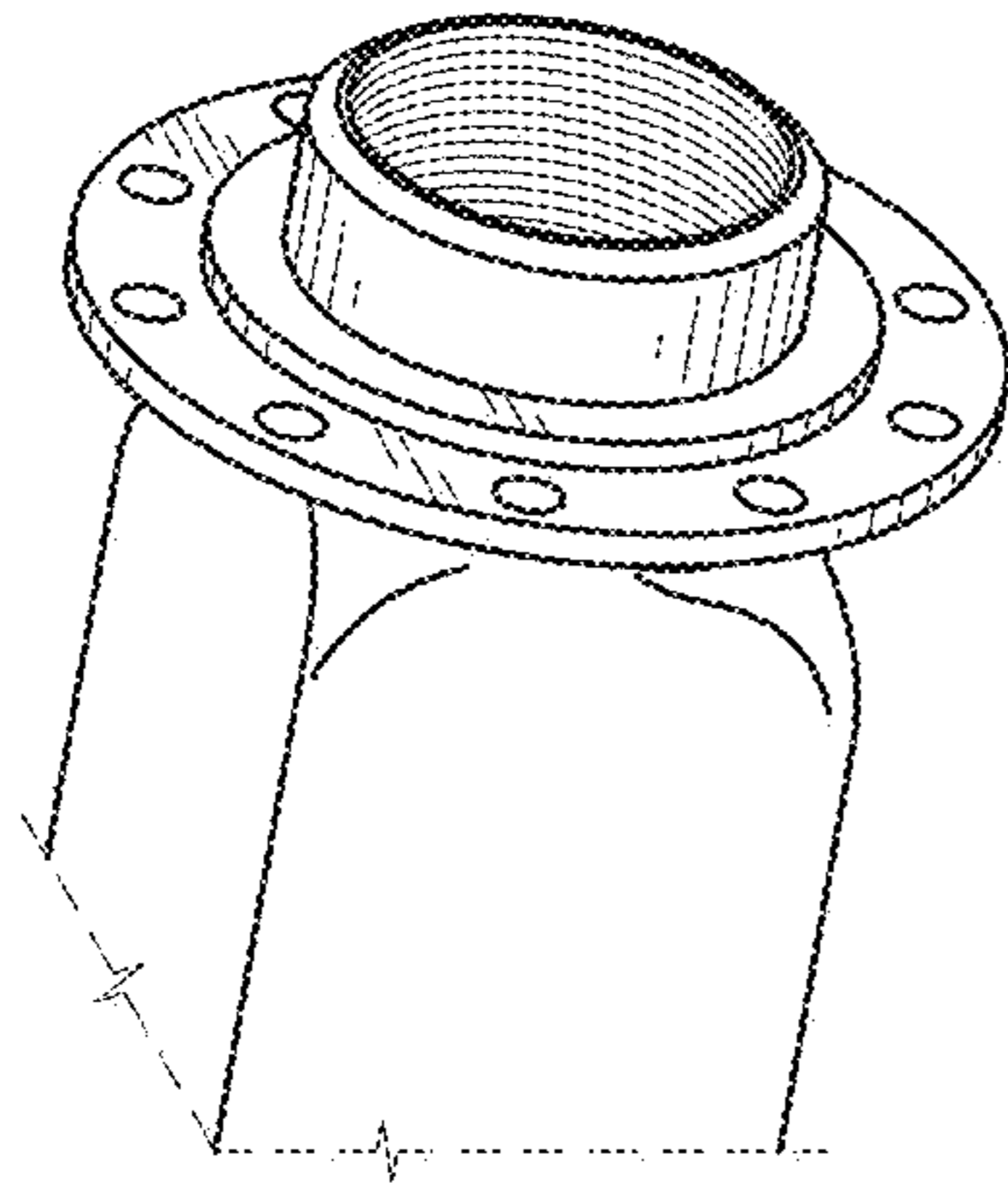


FIG. 1

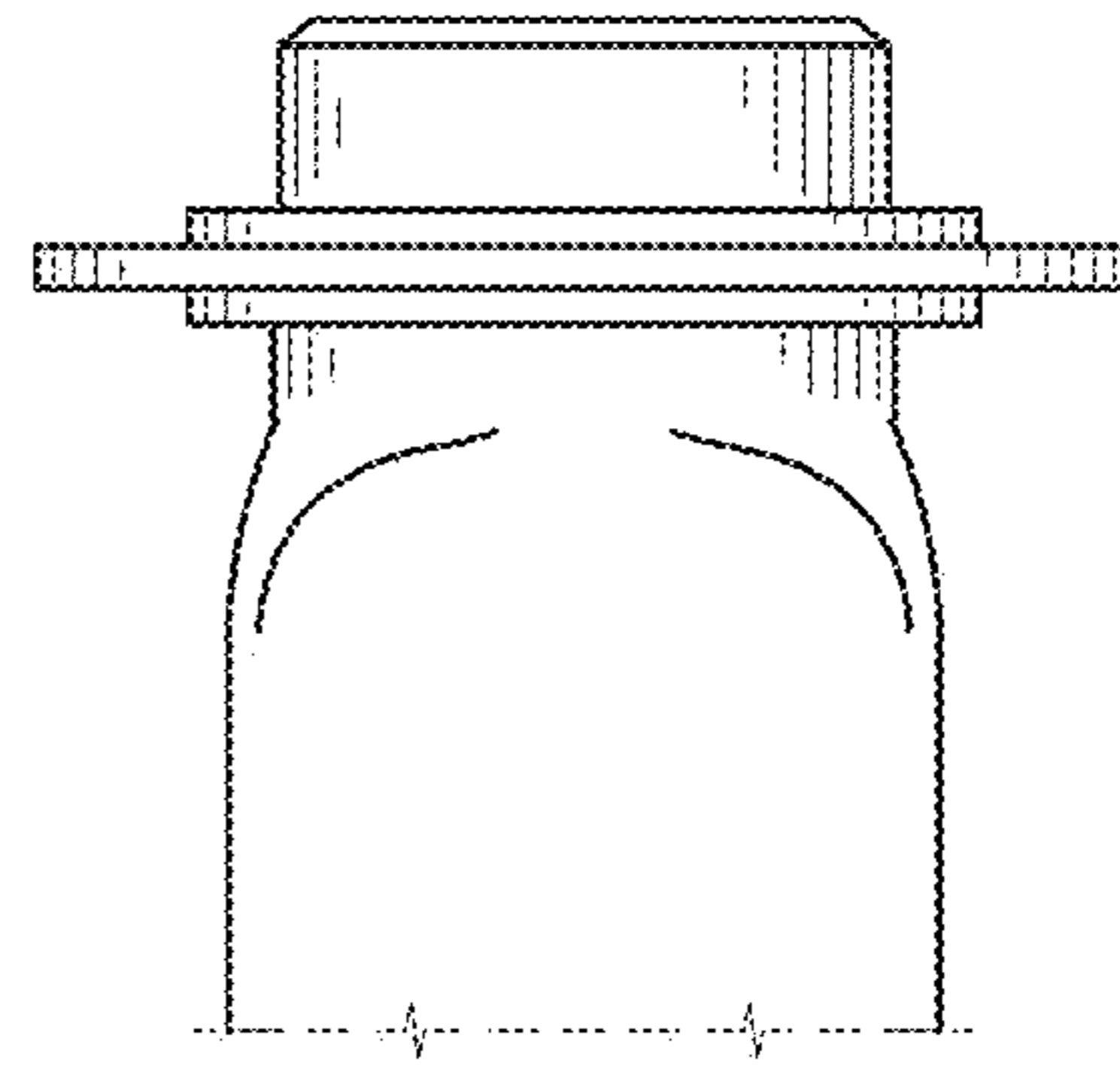
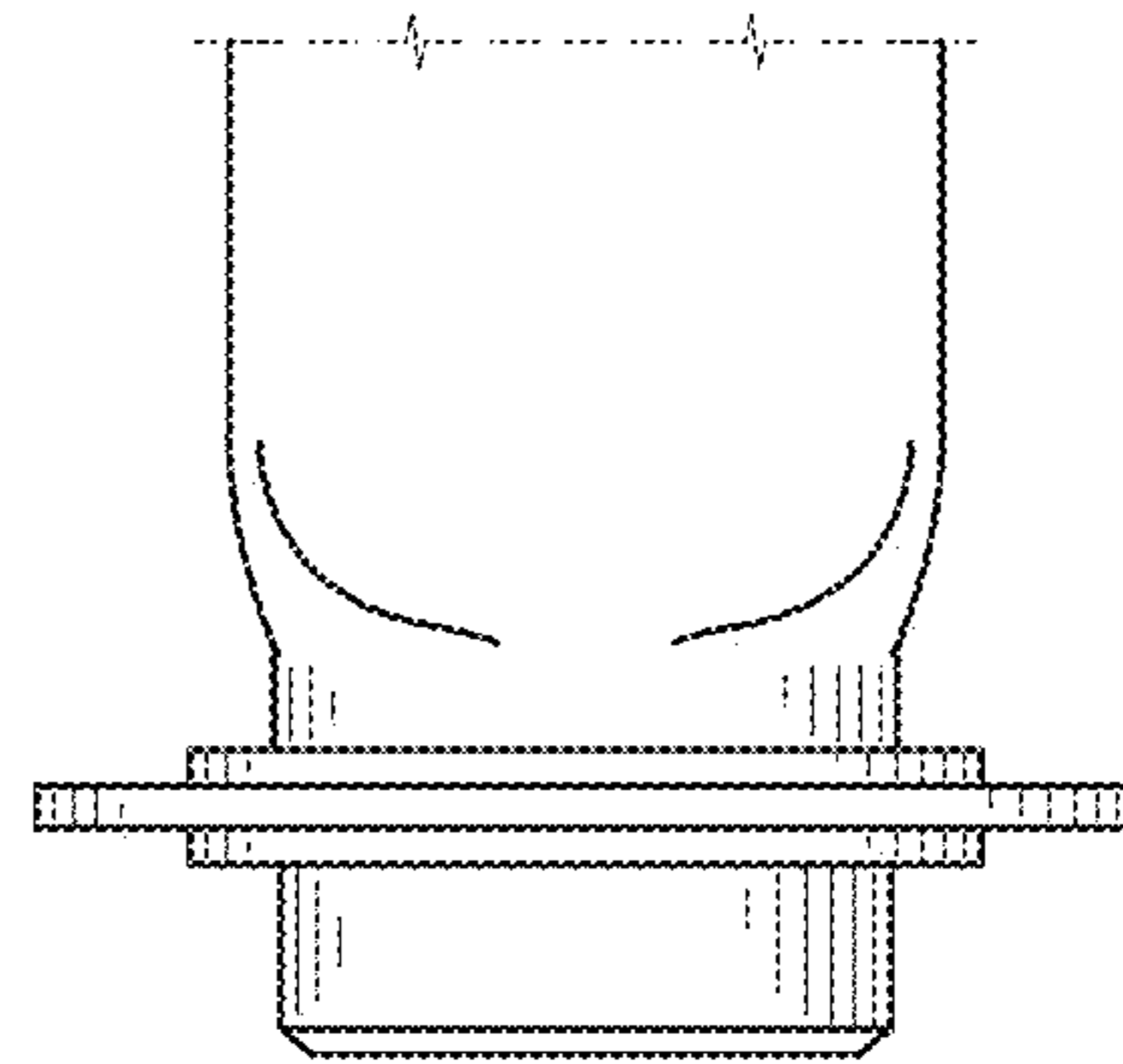
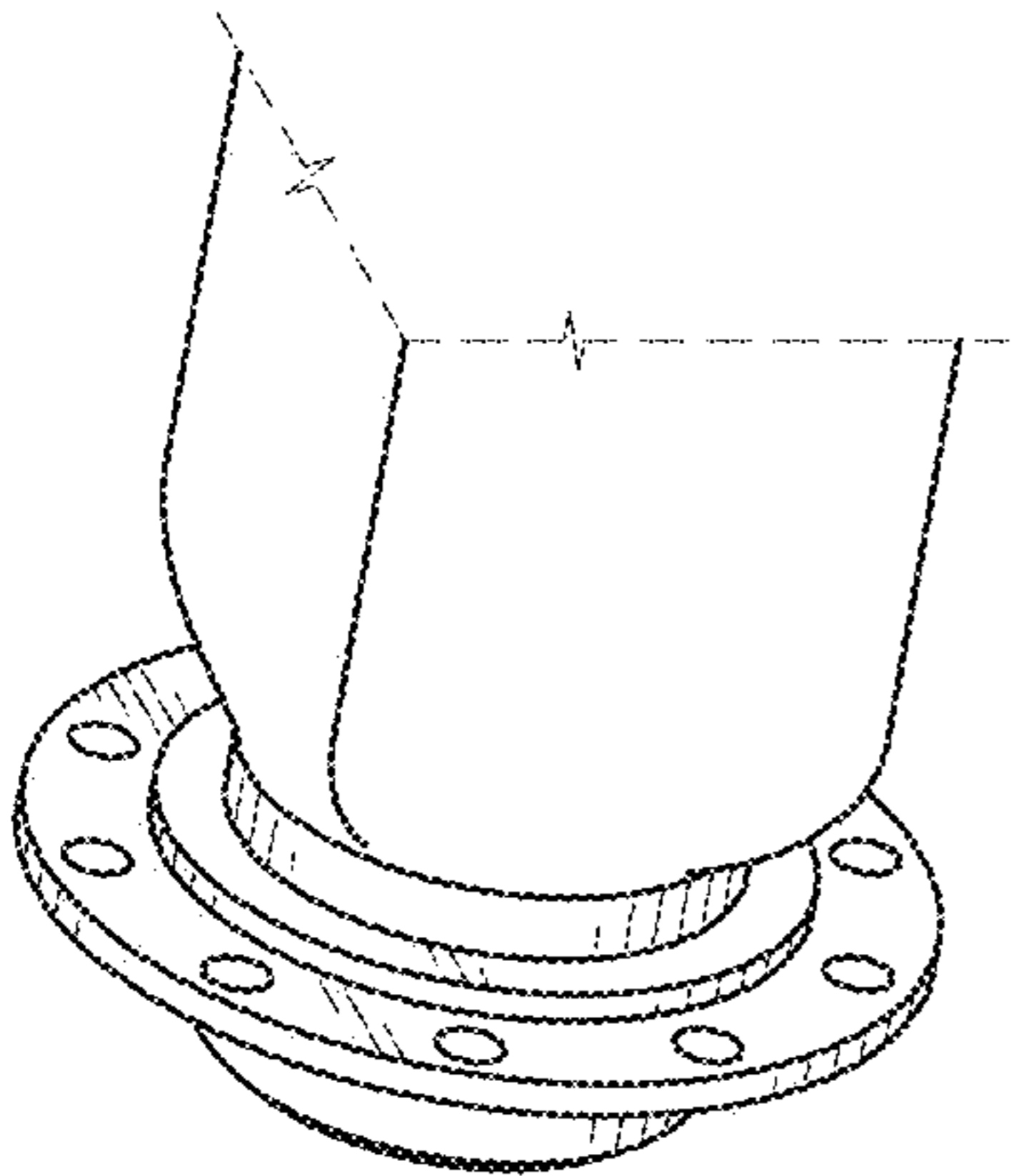


FIG. 2



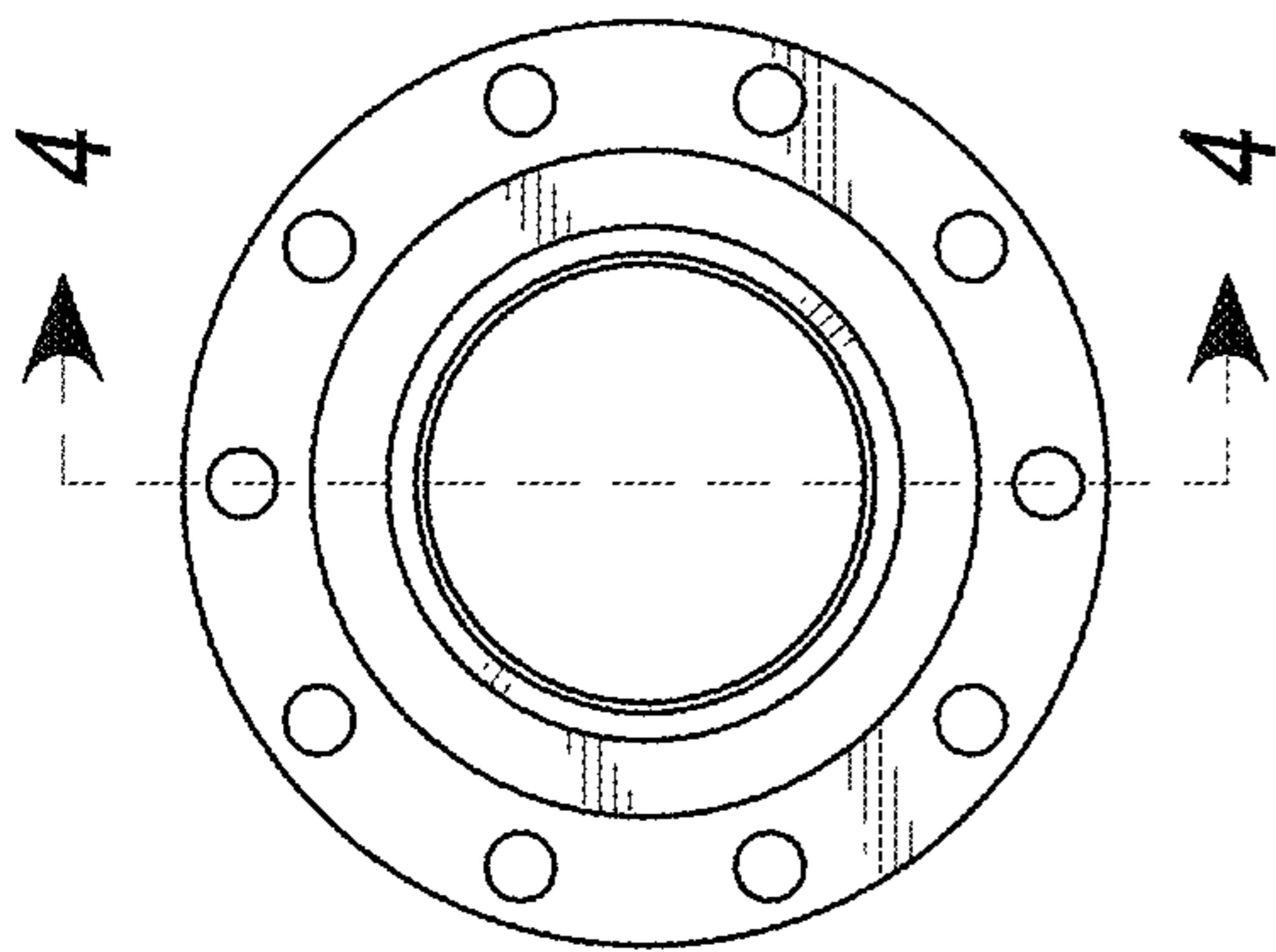


FIG. 3

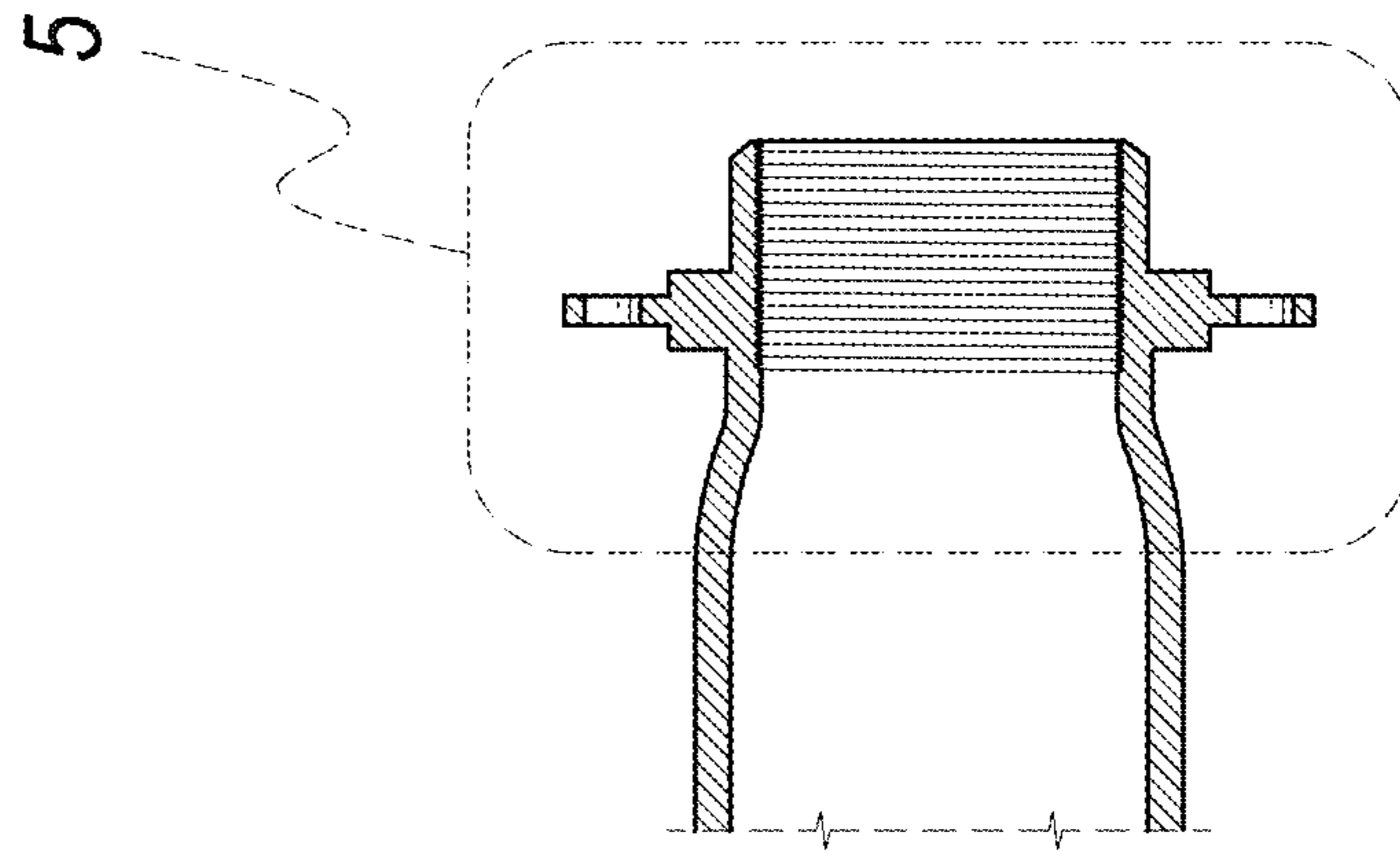


FIG. 4

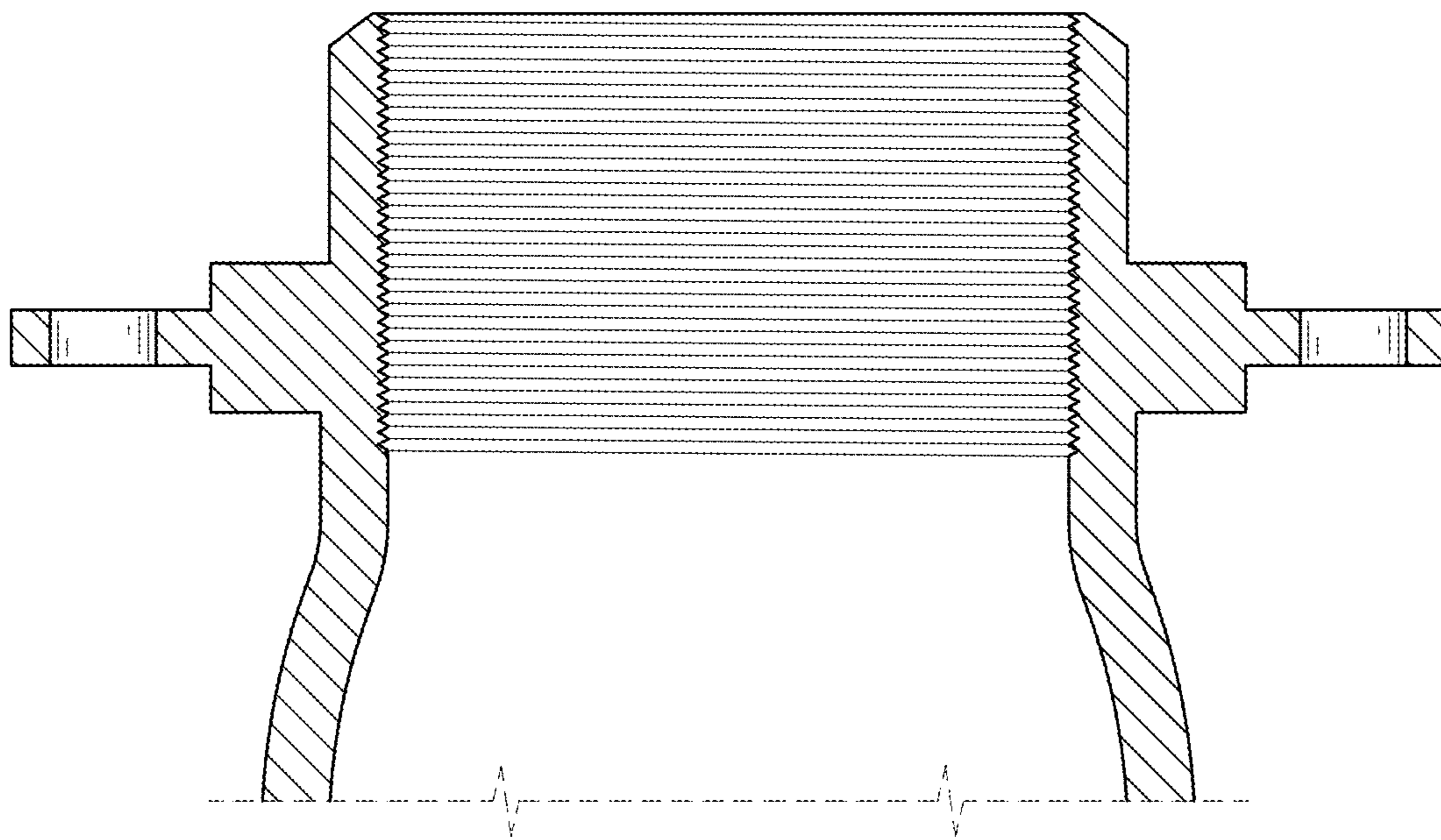


FIG. 5