



US00D914549S

(12) **United States Design Patent**  
**Chen**

(10) **Patent No.:** **US D914,549 S**

(45) **Date of Patent:** **\*\* Mar. 30, 2021**

(54) **ELECTRIC BIKE**

(71) Applicant: **Foshan Zhengbu Technology Co., Ltd.**, Foshan (CN)

(72) Inventor: **Yaping Chen**, Foshan (CN)

(73) Assignee: **Foshan Zhengbu Technology Co., Ltd.**, Foshan (CN)

(\*\*) Term: **15 Years**

(21) Appl. No.: **29/711,033**

(22) Filed: **Oct. 28, 2019**

(51) **LOC (13) Cl.** ..... **12-13**

(52) **U.S. Cl.**  
USPC ..... **D12/111**

(58) **Field of Classification Search**  
USPC ..... D12/110, 111, 112, 114, 117, 119  
CPC ... B62K 3/00; B62K 3/02; B62K 5/00; B62K 5/003; B62K 5/007; B62K 5/01; B62K 11/00; B62K 11/02; B62K 11/04; B62K 15/00; B62K 2202/00; B62J 37/00  
See application file for complete search history.

(56) **References Cited**

**U.S. PATENT DOCUMENTS**

D519,416 S	*	4/2006	Wu	.....	D12/111
D578,042 S	*	10/2008	Yang	.....	D12/111
D587,630 S	*	3/2009	Yang	.....	D12/111
D727,214 S	*	4/2015	Yang	.....	D12/111
D727,215 S	*	4/2015	Yang	.....	D12/111
D774,971 S	*	12/2016	Lambri	.....	D12/111
D774,972 S	*	12/2016	Lambri	.....	D12/111
D804,364 S	*	12/2017	Xianqiang	.....	D12/111
D828,231 S	*	9/2018	Yan	.....	D12/111
D833,333 S	*	11/2018	Yu	.....	D12/111
D833,916 S	*	11/2018	Yu	.....	D12/111
D845,178 S	*	4/2019	Yan	.....	D12/111

D847,032 S	*	4/2019	Yan	.....	D12/111
D850,982 S	*	6/2019	Zhu	.....	D12/111
D850,983 S	*	6/2019	Zhu	.....	D12/111
D859,222 S	*	9/2019	Demeyere	.....	D12/111
D879,668 S	*	3/2020	Wu	.....	D12/111
D890,633 S	*	7/2020	Zhou	.....	D12/111
D898,625 S	*	10/2020	Lin	.....	D12/111
D900,680 S	*	11/2020	Chen	.....	D12/111
D903,532 S	*	12/2020	Ma	.....	D12/111
D906,184 S	*	12/2020	Liao	.....	D12/111
2020/0079471 A1	*	3/2020	Eguchi	.....	B62M 6/90

**OTHER PUBLICATIONS**

“Folding electric bike lamplight ebike electric bicycle” Zhengbli., posted date Nov. 28, 2019 [online], [retrieved on Jan. 29, 2021], Retrieved from the Internet <URL:http://www.zbebike.com/folding-electric-bike-lamplight-ebike-electric-bicycle.html> (Year: 2019).\*

(Continued)

*Primary Examiner* — Darlington Ly

*Assistant Examiner* — Nasim Abdulaziz Ali

(74) *Attorney, Agent, or Firm* — CBM Patent Consulting, LLC

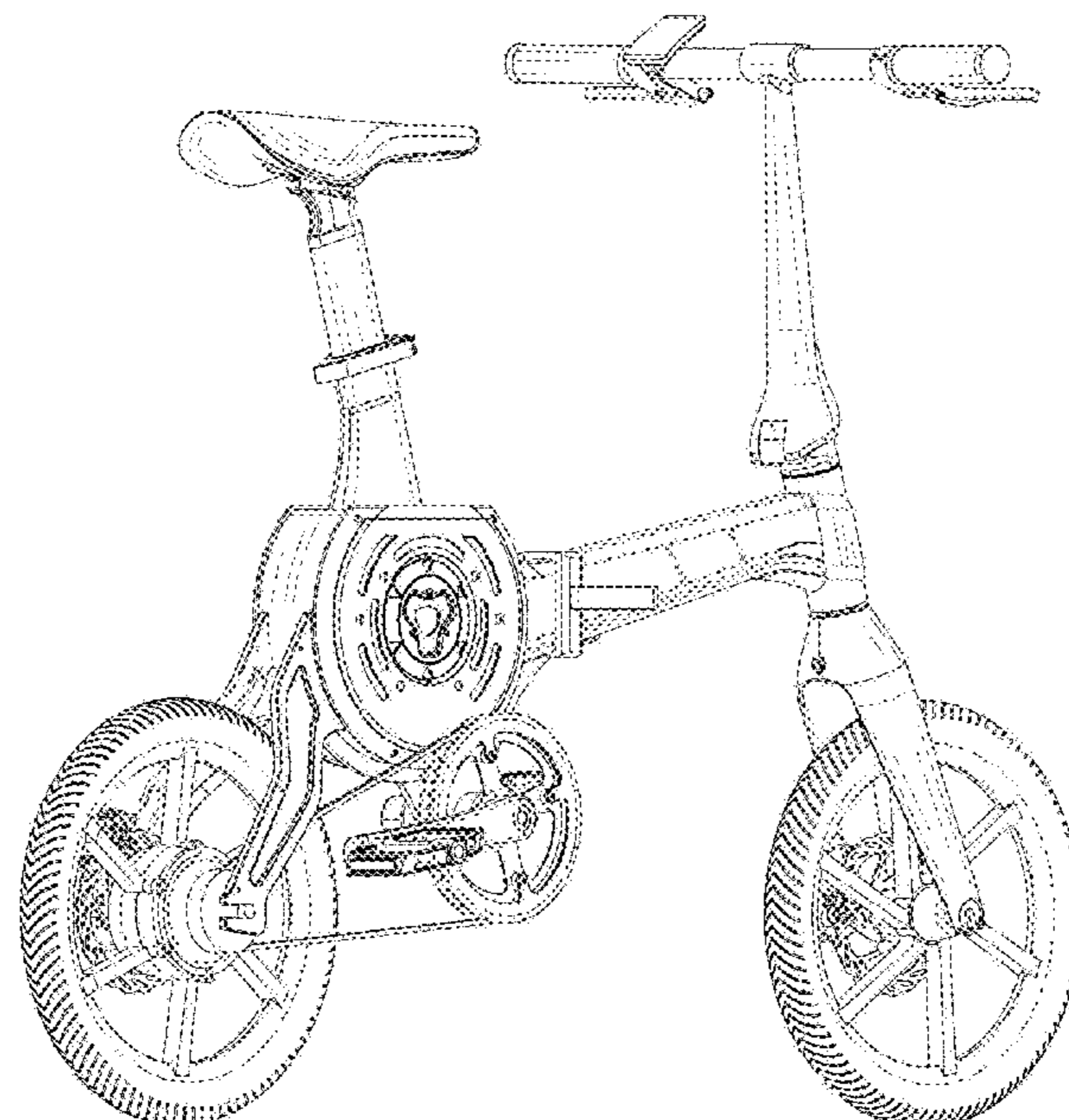
(57) **CLAIM**

The ornamental design for an electric bike, as shown and described.

**DESCRIPTION**

FIG. 1 is a top plan view of an electric bike embodying my new design;  
FIG. 2 is a bottom plan view thereof;  
FIG. 3 is a front elevation view thereof;  
FIG. 4 is a rear elevation view thereof;  
FIG. 5 is a left side elevation view thereof;  
FIG. 6 is a right side elevation view thereof; and,  
FIG. 7 is a rear and right side perspective view thereof.

**1 Claim, 7 Drawing Sheets**



(56)

**References Cited**

OTHER PUBLICATIONS

“Folding electric bike lamplight ebike electric bicycle” Alibaba., posted date Jan. 23, 2019 [online], [retrieved on Jan. 29, 2021]. Retrieved from the Internet <URL: [https://www.alibaba.com/product-detail/Folding-electric-bike-lamplight-ebike-electric\\_62391225813.html](https://www.alibaba.com/product-detail/Folding-electric-bike-lamplight-ebike-electric_62391225813.html)> (Year: 2019).\*

“HHS Hybrid e-Bikeo” Solar Shop., posted date Aug. 20, 2019 [online], [retrieved on Jan. 29, 2021], Retrieved from the Internet <URL: <https://www.solarshop-huahin.com/product/hhs-hybrid-mountain-bike/>> (Year: 2019).\*

\* cited by examiner

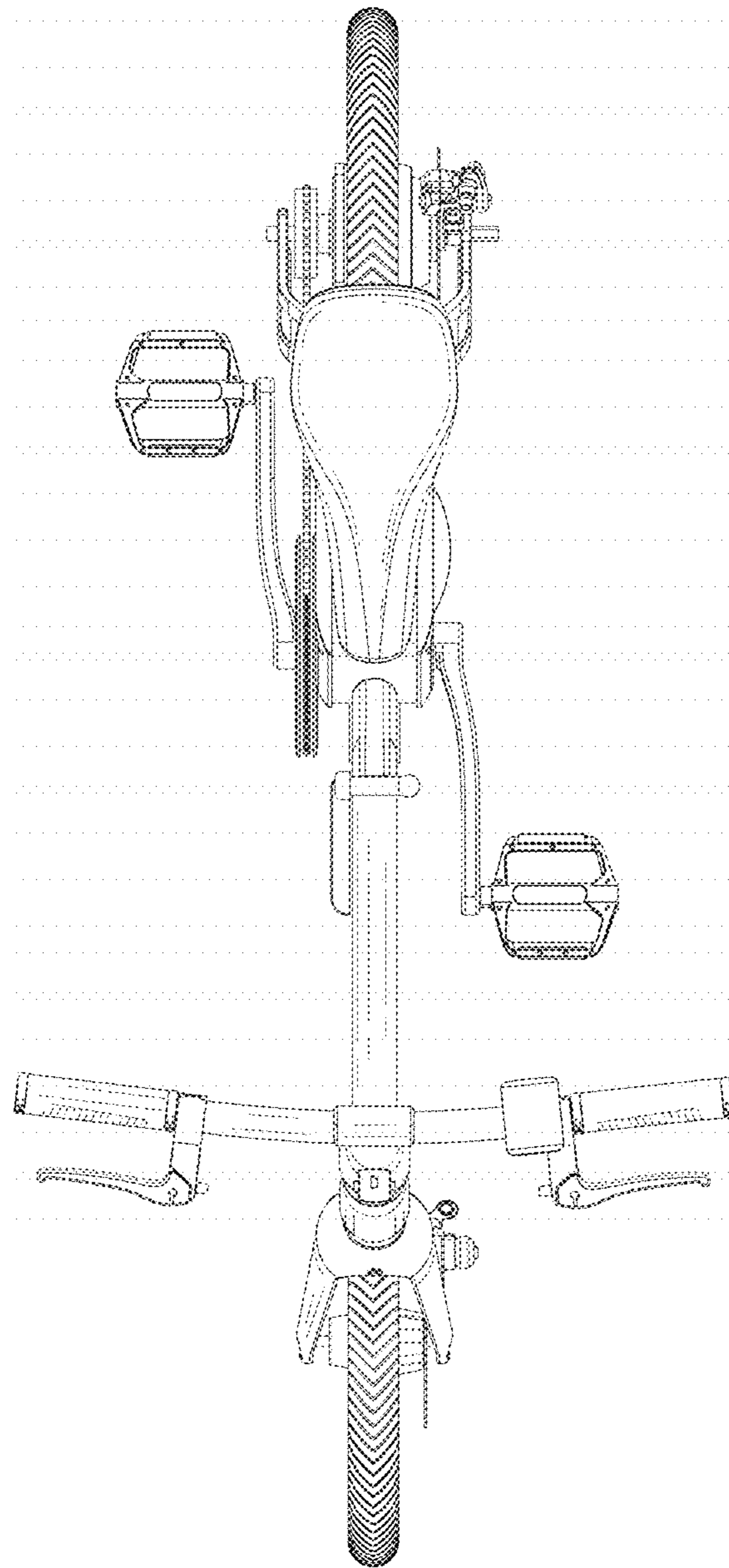


FIG. 1

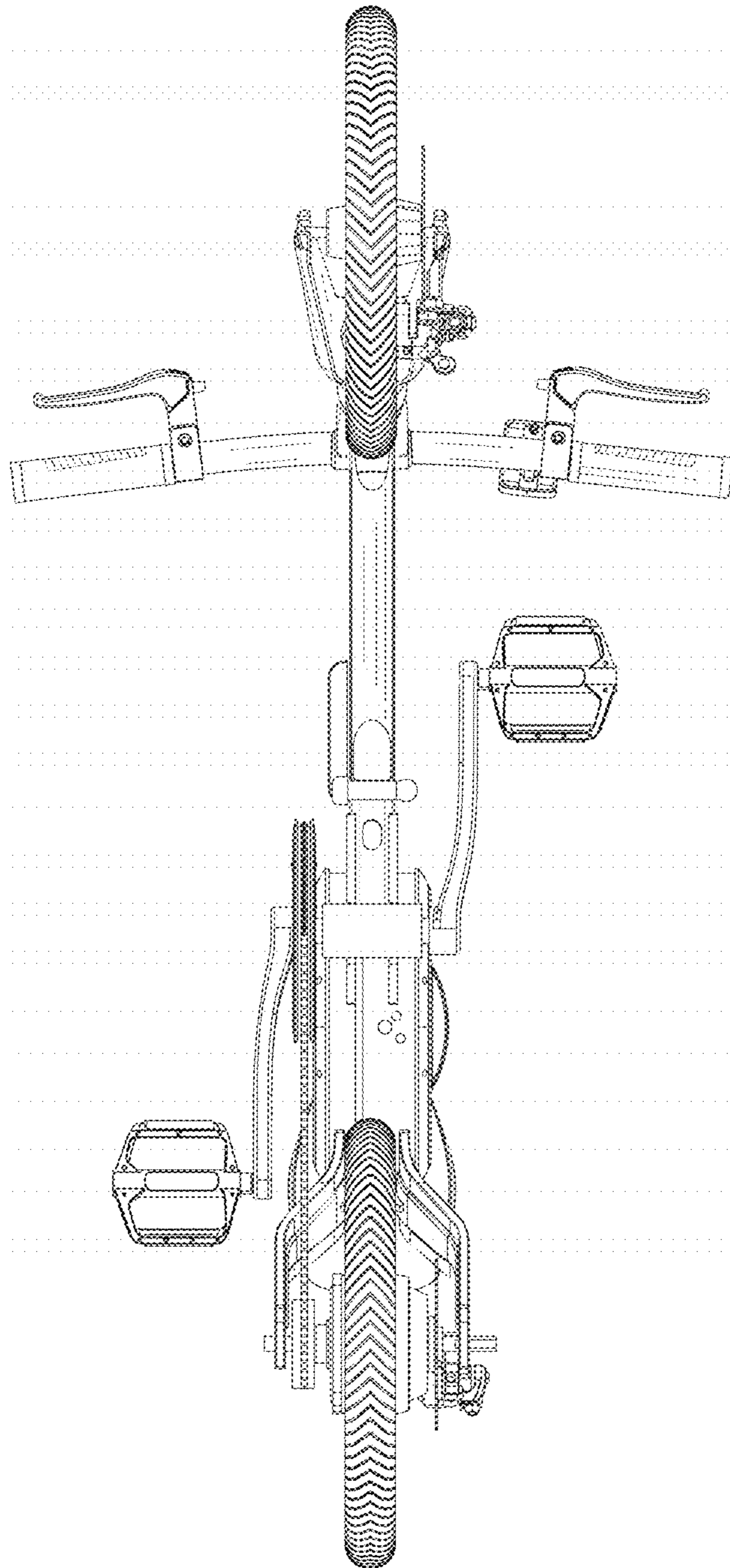


FIG. 2



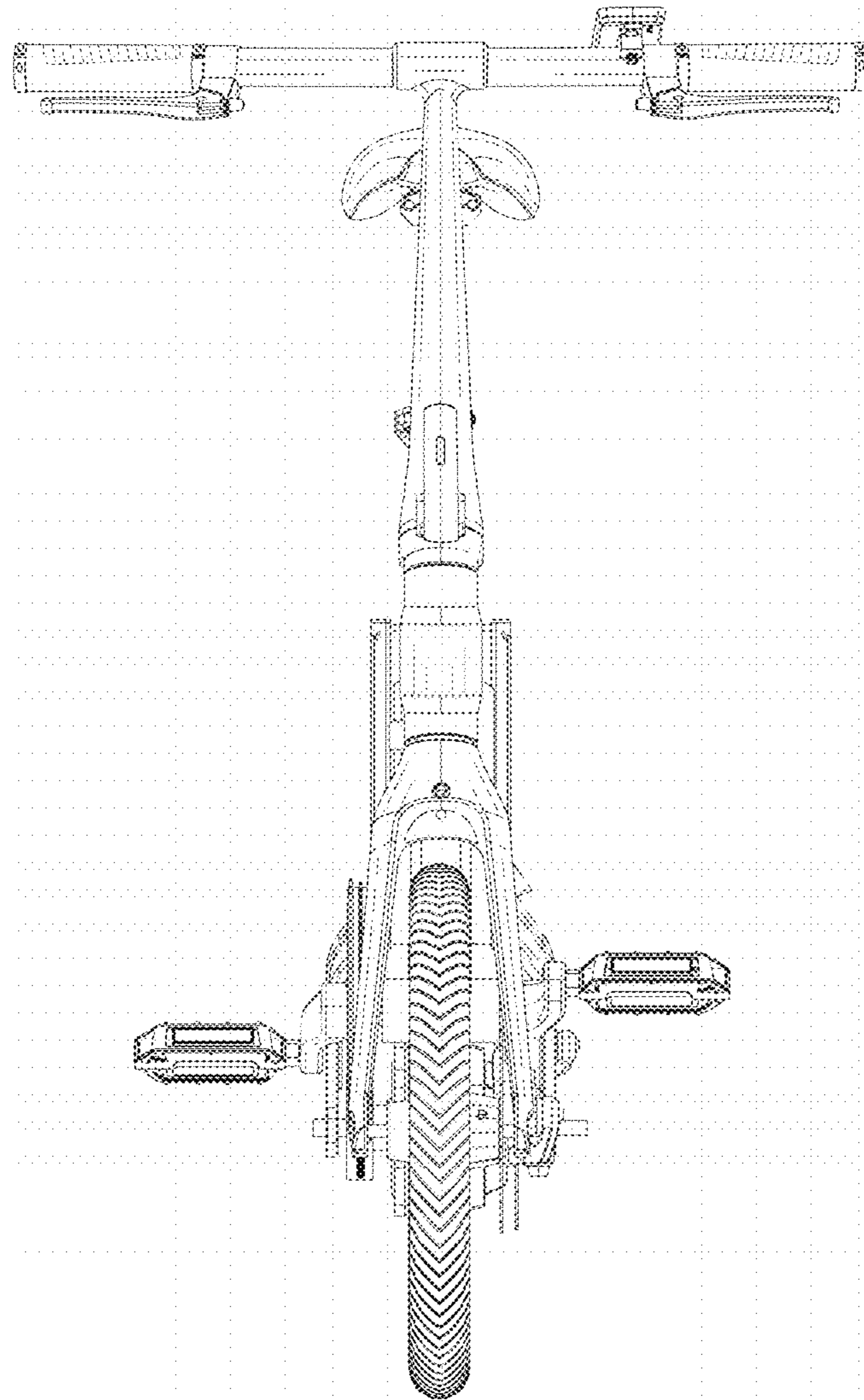


FIG. 3

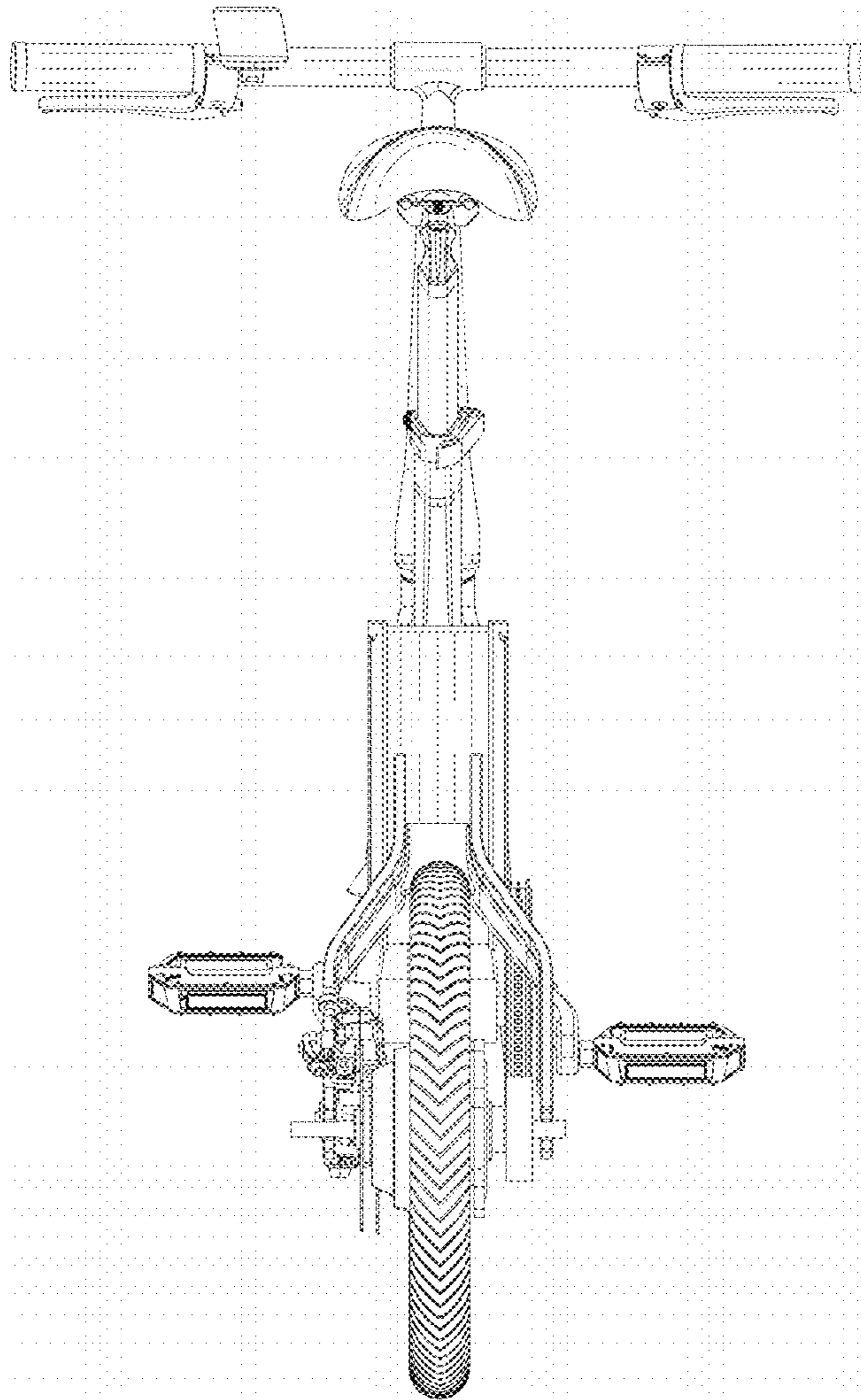


FIG. 4

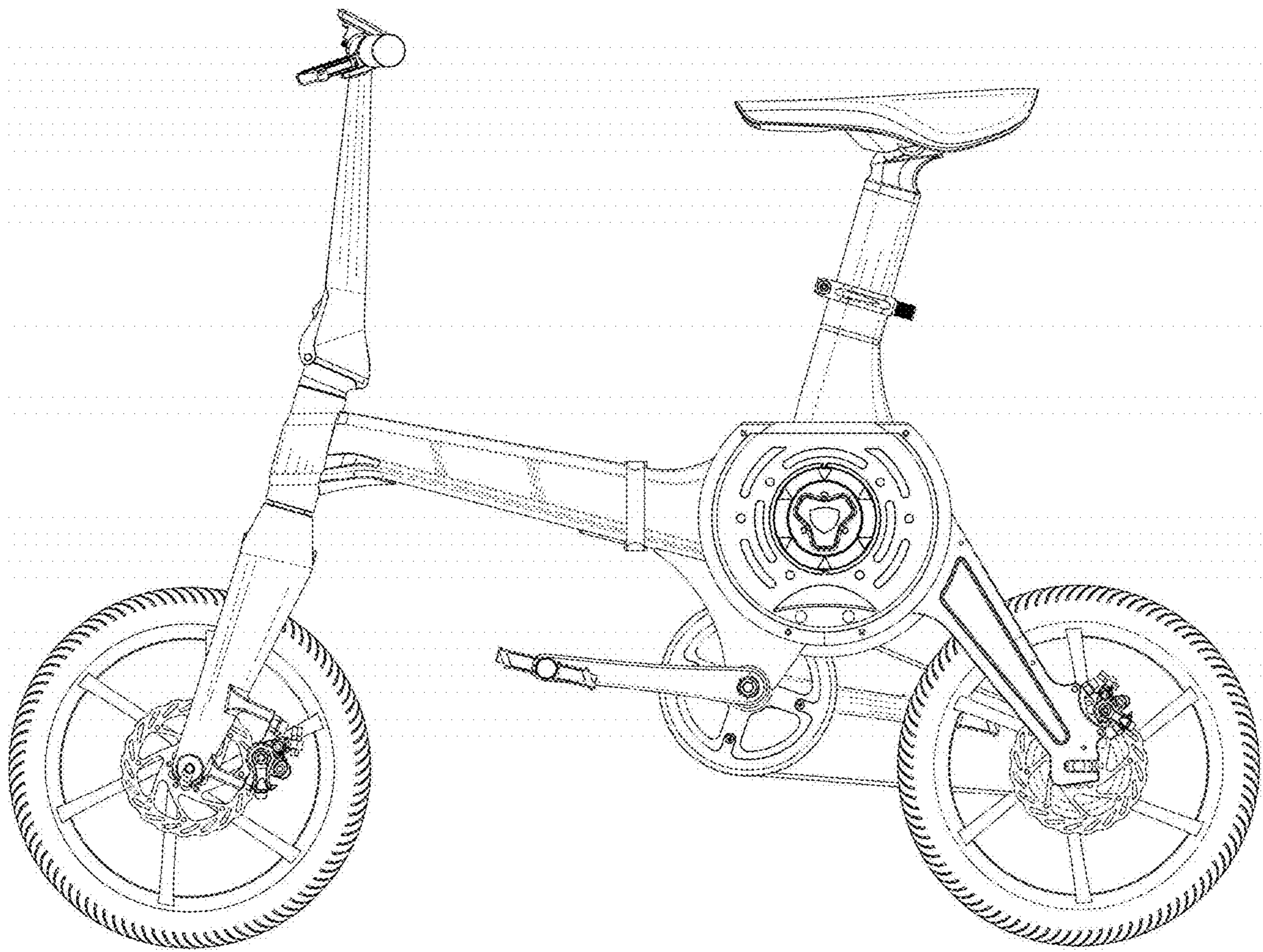


FIG. 5



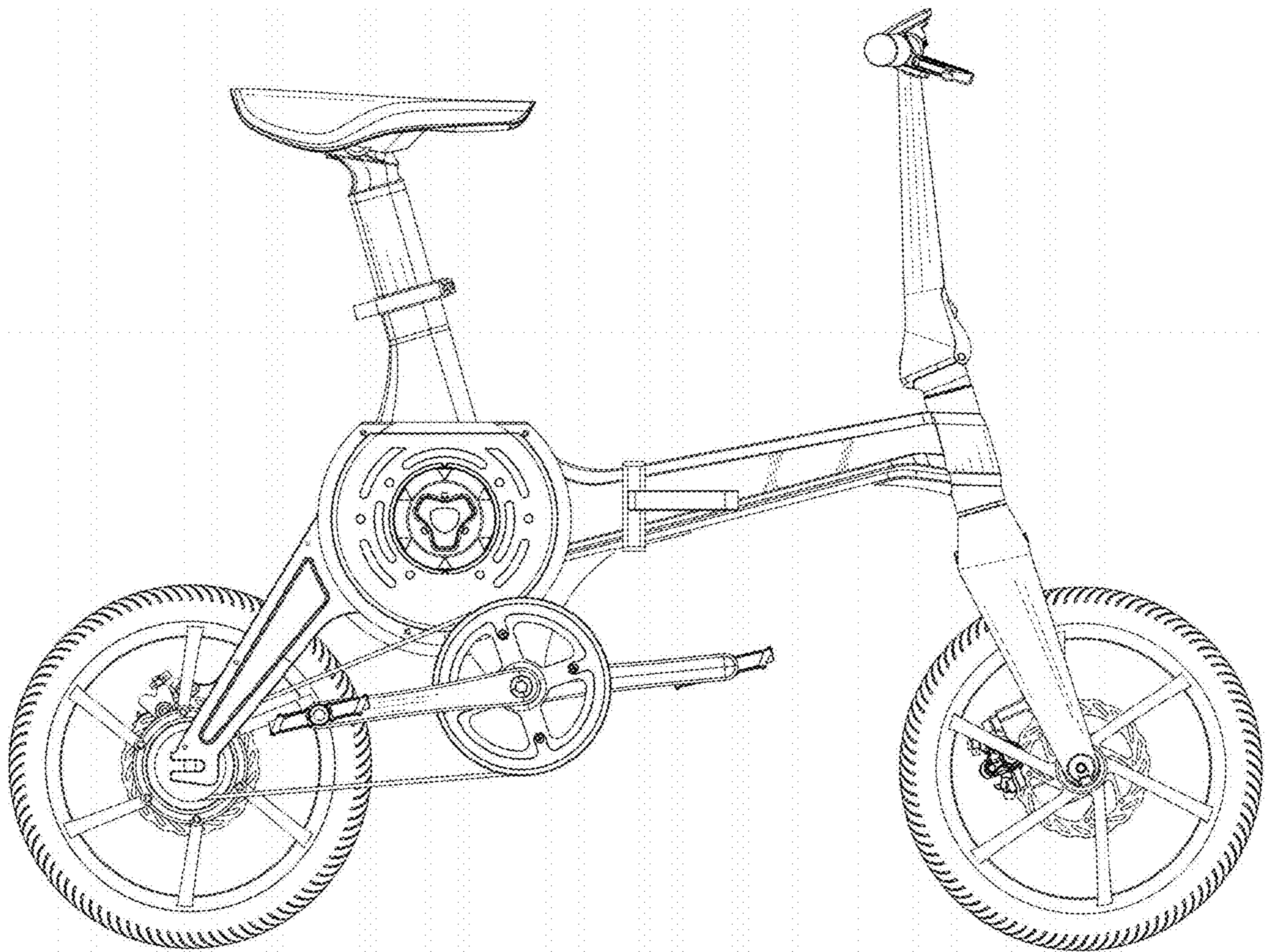


FIG. 6



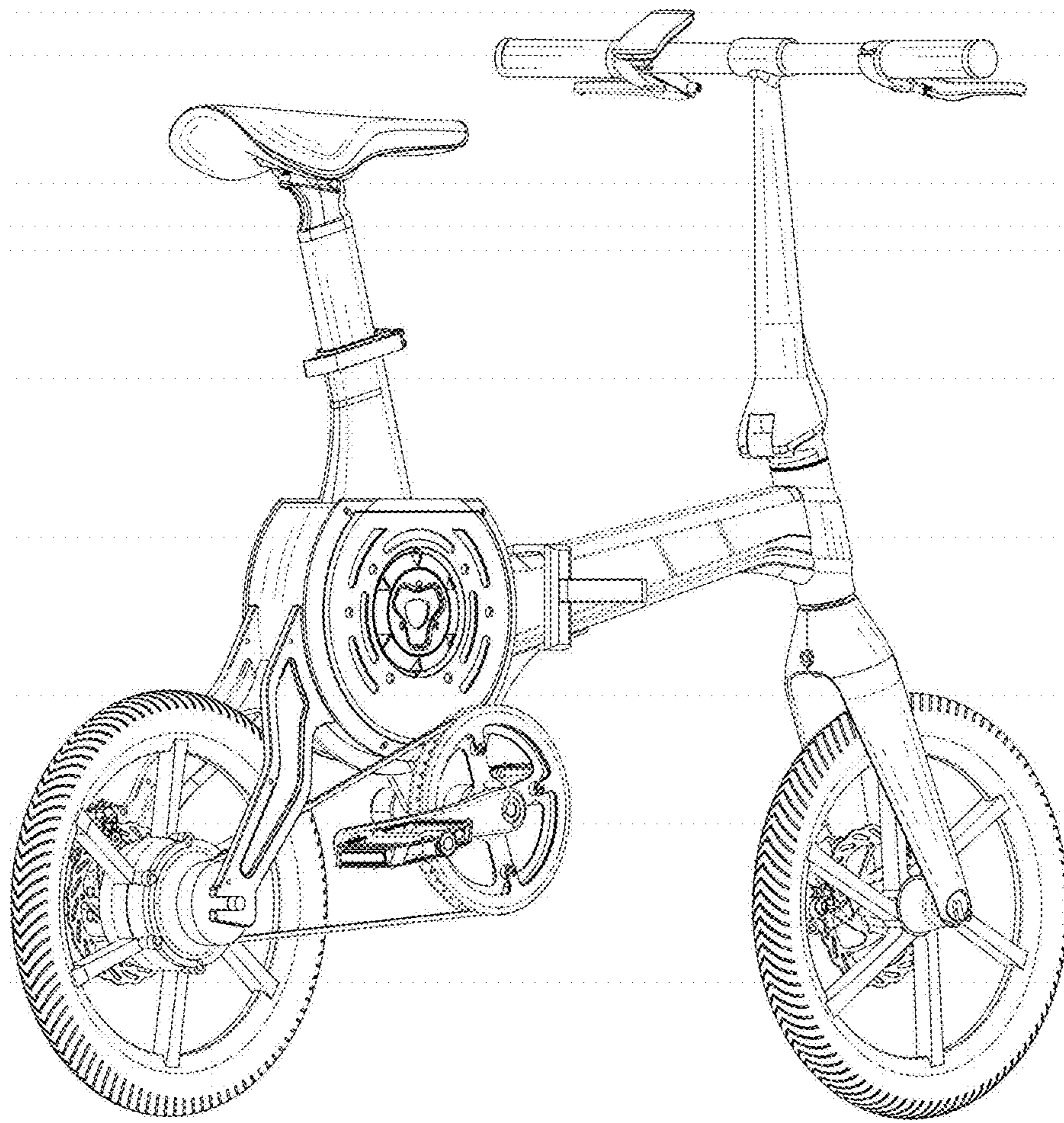


FIG. 7