



US00D914547S

(12) **United States Design Patent** (10) **Patent No.:** **US D914,547 S**  
**Mayer** (45) **Date of Patent:** **\*\* Mar. 30, 2021**

(54) **MOTORCYCLE, TOY, AND/OR REPLICAS THEREOF**

(71) Applicant: **Bayerische Motoren Werke Aktiengesellschaft, Munich (DE)**

(72) Inventor: **Jean-Thomas Daniel Mayer, Munich (DE)**

(73) Assignee: **Bayerische Motoren Werke Aktiengesellschaft, Munich (DE)**

(\*\*) Term: **15 Years**

(21) Appl. No.: **29/710,892**

(22) Filed: **Oct. 28, 2019**

(30) **Foreign Application Priority Data**

May 6, 2019 (DE) ..... 402019100491.2

(51) **LOC (13) Cl.** ..... **12-11**

(52) **U.S. Cl.**  
USPC ..... **D12/110; D21/538**

(58) **Field of Classification Search**  
USPC ..... D12/109, 110, 111, 114, 117, 126, 184, D12/186; D21/432, 458, 538  
CPC ..... B62D 37/00; B62D 57/00; B62K 9/00; B62K 11/04; B62K 17/00; B62K 19/48; B62M 7/12; F02B 61/02; A63H 17/21; B62J 17/00; B62J 17/04; B62J 29/00

See application file for complete search history.

(56) **References Cited**

**U.S. PATENT DOCUMENTS**

- D403,277 S \* 12/1998 Kokubu ..... D12/110
- D591,204 S \* 4/2009 Matsuzawa ..... D12/110
- D591,205 S \* 4/2009 Heinrich ..... D12/110
- D686,538 S \* 7/2013 Nagao ..... D12/110
- D689,406 S \* 9/2013 Yasuhara ..... D12/110
- D723,431 S \* 3/2015 Noguchi ..... D12/110
- D735,085 S \* 7/2015 Buckan ..... D12/110

- D736,677 S \* 8/2015 Iimura ..... D12/110
- D755,084 S \* 5/2016 Sakata ..... D12/110
- D755,680 S \* 5/2016 Yasuhara ..... D12/110
- D755,682 S \* 5/2016 Hahn-Woernle ..... D12/110
- D756,268 S \* 5/2016 Yamada ..... D12/110
- D758,923 S \* 6/2016 Yamada ..... D12/110
- D758,924 S \* 6/2016 Tamura ..... D12/110
- D789,835 S \* 6/2017 Kottmann ..... D12/110

(Continued)

**FOREIGN PATENT DOCUMENTS**

EM 002460964-0001 3/2015

**OTHER PUBLICATIONS**

“Kawasaki Ninja® 650” Kawaski., posted date Oct. 11, 2018 [online], [retrieved on Dec. 9, 2020]. Retrieved from the Internet <URL: <https://www.kawasaki.com/en-us/motorcycle/ninja/sport/ninja-650>> (Year: 2018).\*

(Continued)

*Primary Examiner* — Darlington Ly  
*Assistant Examiner* — Nasim Abdulaziz Ali  
(74) *Attorney, Agent, or Firm* — Crowell & Moring LLP

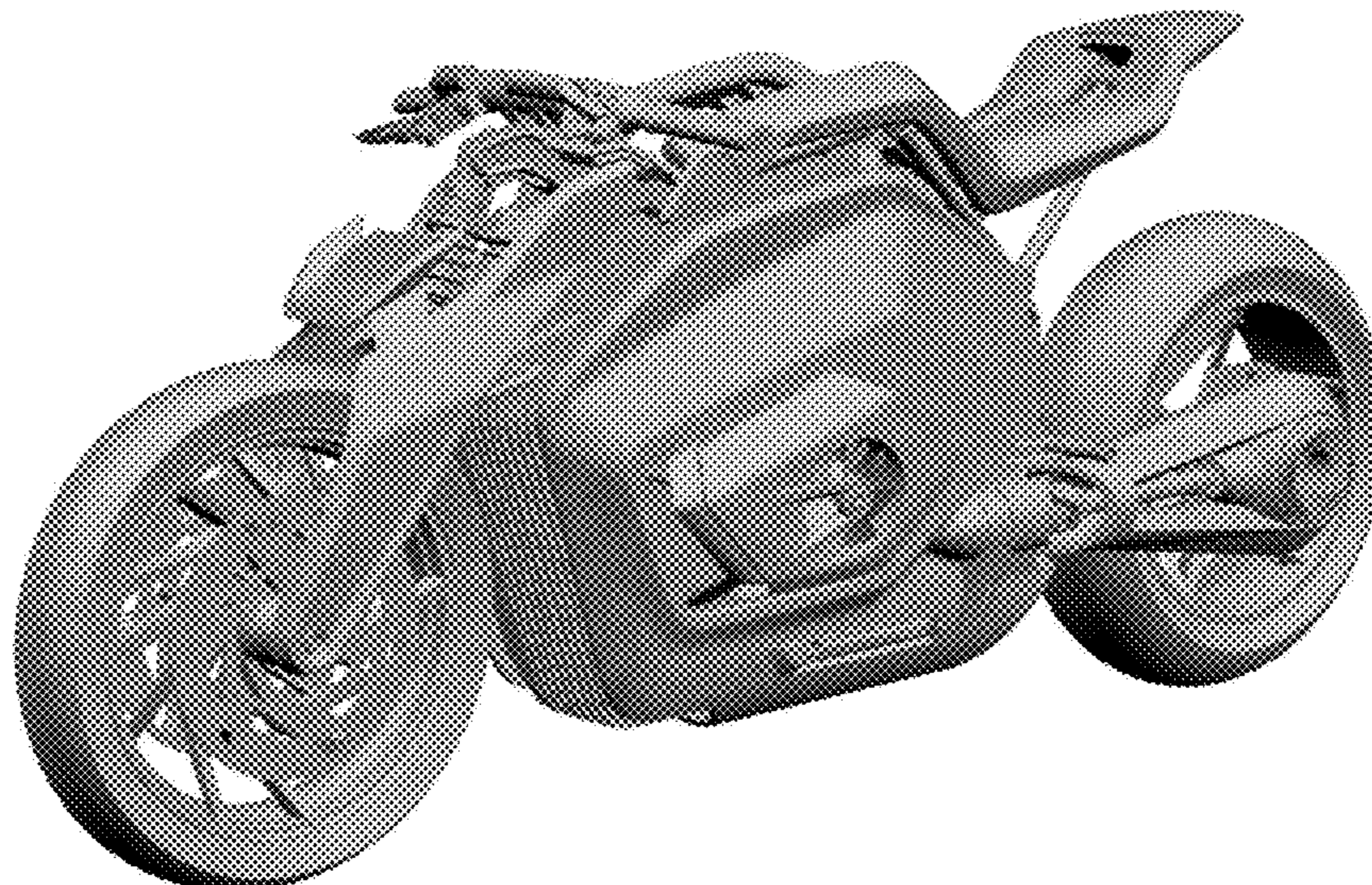
(57) **CLAIM**

The ornamental design for a motorcycle, toy, and/or replicas thereof, as shown and described.

**DESCRIPTION**

FIG. 1 is a front and left side perspective view of a motorcycle, toy, and/or replicas thereof embodying my new design;  
FIG. 2 is a left side elevation view thereof;  
FIG. 3 is a right side elevation view thereof;  
FIG. 4 is a front elevation view thereof;  
FIG. 5 is a rear elevation view thereof;  
FIG. 6 is a top plan view thereof; and,  
FIG. 7 is a bottom plan view thereof.

**1 Claim, 7 Drawing Sheets**



(56)

**References Cited**

U.S. PATENT DOCUMENTS

D801,230 S \* 10/2017 Endo ..... D12/110  
D805,439 S \* 12/2017 Hohdorf ..... D12/110  
D808,866 S \* 1/2018 Zhukov ..... D12/110  
2020/0247494 A1\* 8/2020 Ichikawa ..... B60L 53/18  
2020/0277016 A1\* 9/2020 Kobayashi ..... B62J 43/20

OTHER PUBLICATIONS

“2019 G 310 GS” BMW., posted date Nov. 10, 2017 [online],  
[retrieved on Dec. 9, 2020]. Retrieved from the Internet <URL:  
[https://www.bmwmotorcycles.com/en/models/adventure/g310gs.  
html](https://www.bmwmotorcycles.com/en/models/adventure/g310gs.html)> (Year: 2017).\*

“2021 S 1000 XR” BMW., posted date Nov. 5, 2019 [online],  
[retrieved on Dec. 9, 2020]. Retrieved from the Internet <URL:  
[https://www.bmwmotorcycles.com/en/models/adventure/s1000xr.  
html](https://www.bmwmotorcycles.com/en/models/adventure/s1000xr.html)> (Year: 2019).\*

“8 Best Newest 2020 BMW Motorcycles” (via YouTube), posted  
date May 19, 2020 [online], [retrieved on Dec. 9, 2020 ]. Video  
retrieved from internet <URL:[https://www.youtube.com/watch?v=  
T4eAPQqL0zY](https://www.youtube.com/watch?v=T4eAPQqL0zY)> (Year: 2020).\*

\* cited by examiner

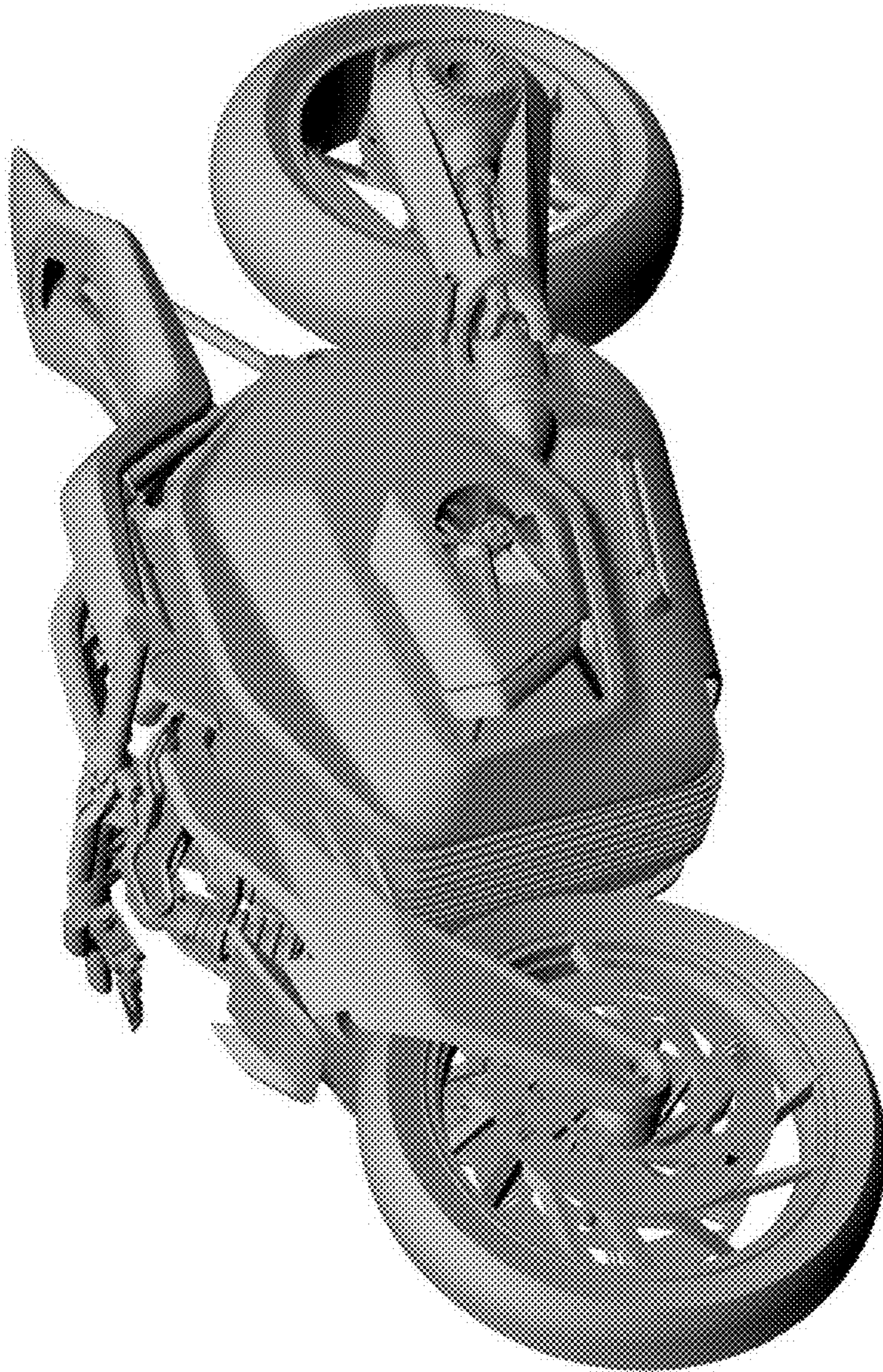


Fig. 1

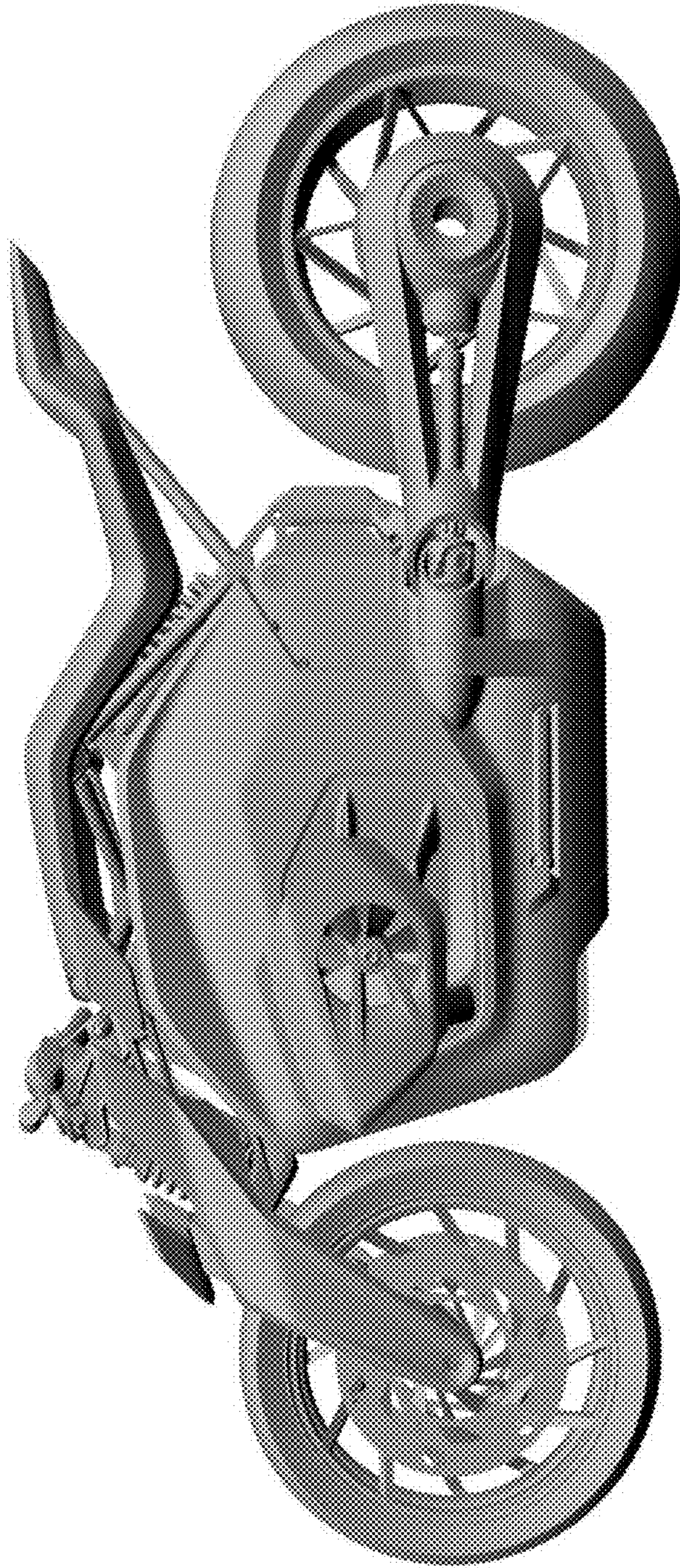


Fig. 2

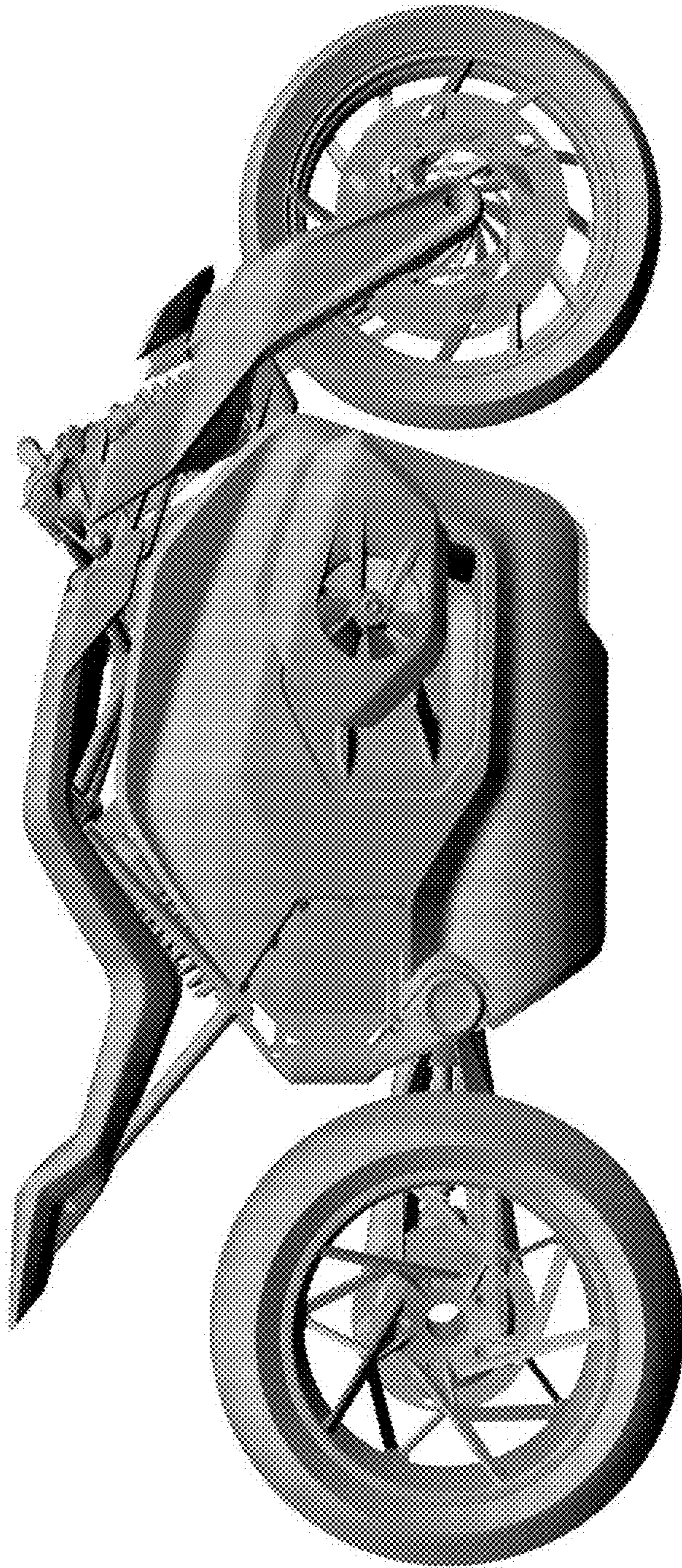


Fig. 3

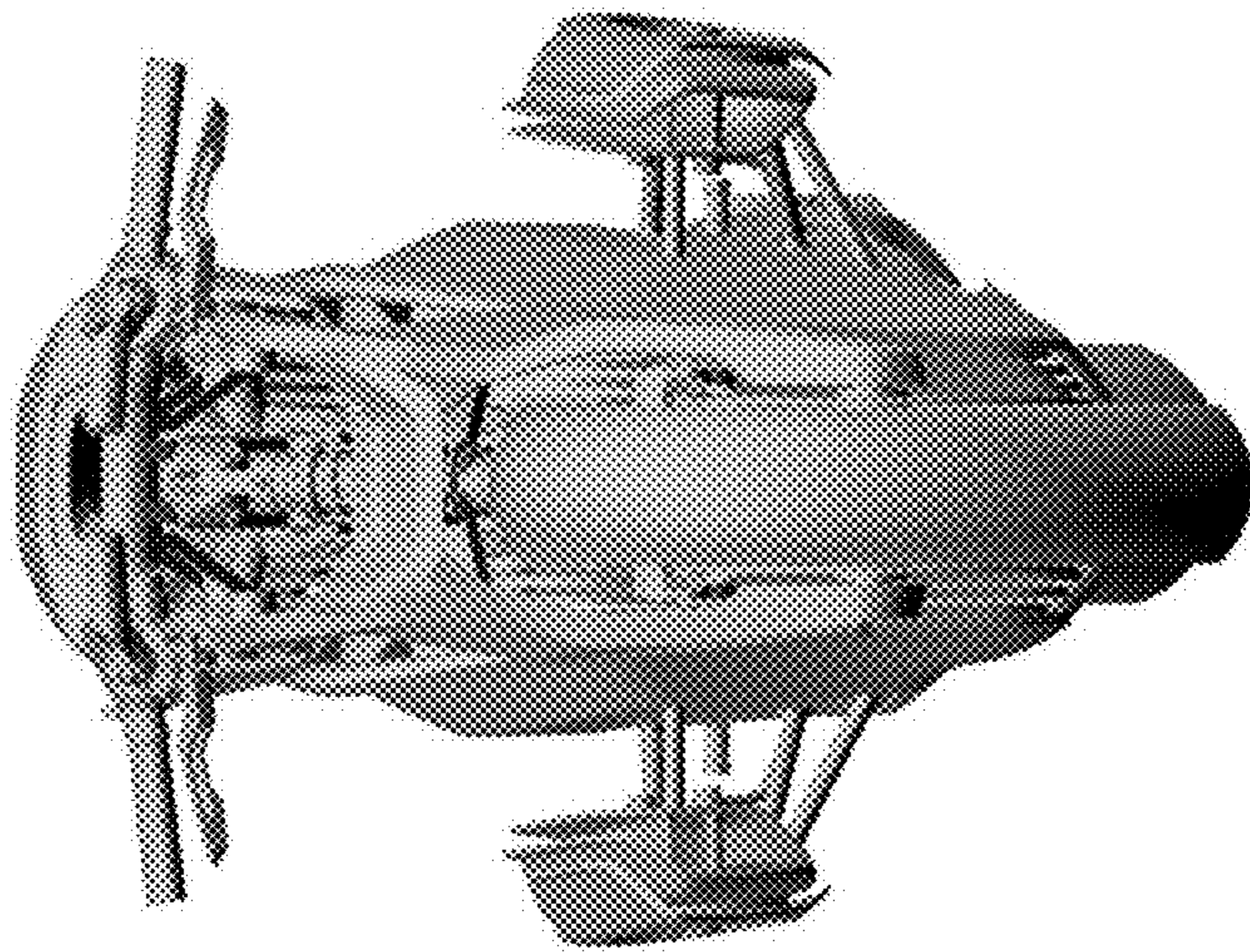


Fig. 4

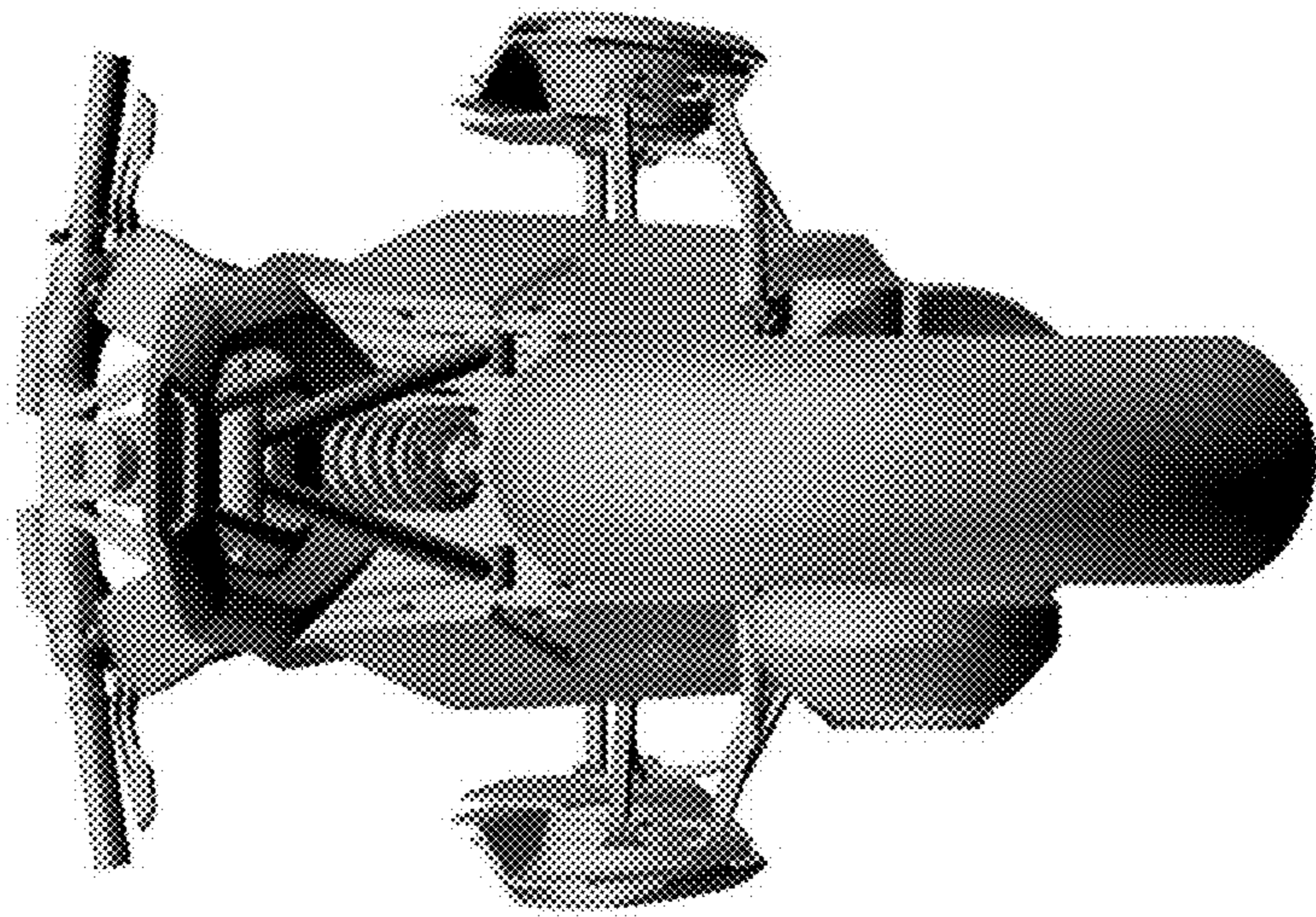


Fig. 5

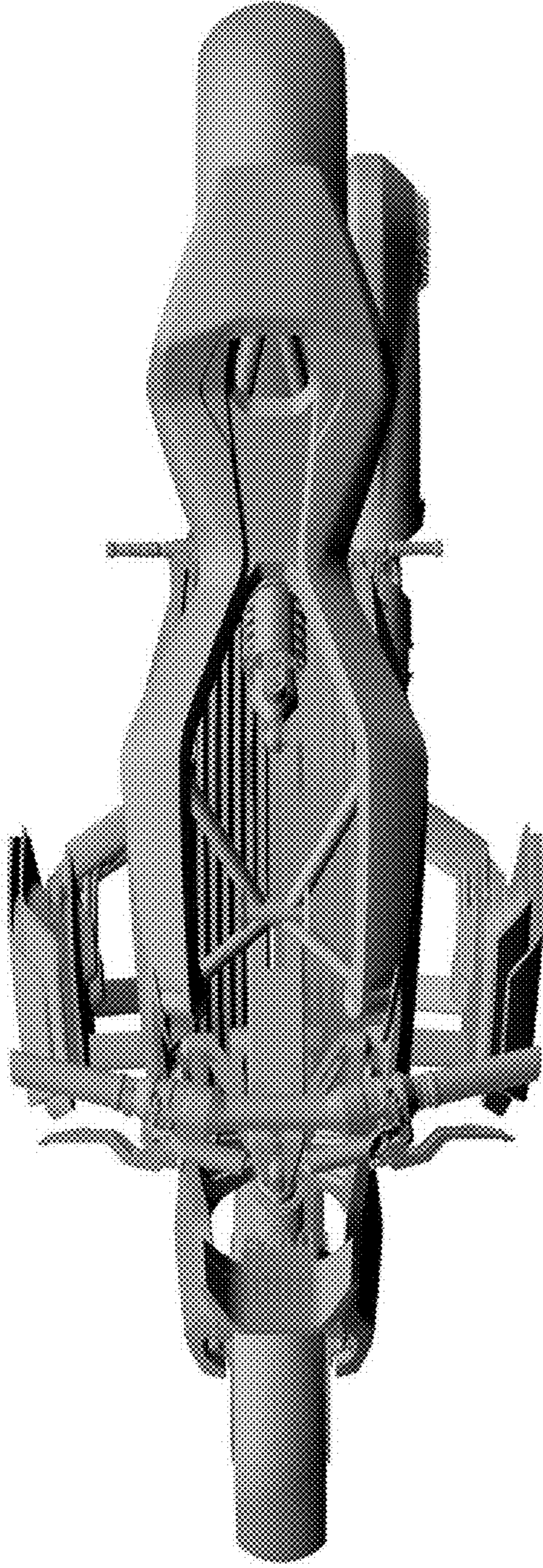


Fig. 6



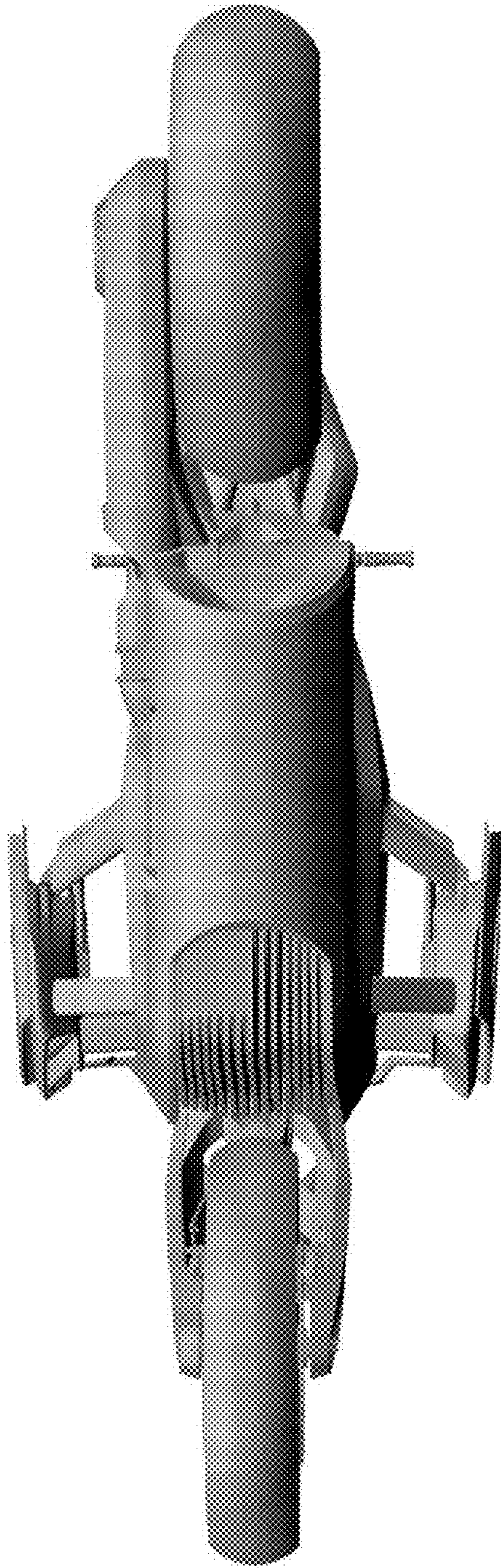


Fig. 7