



US00D914546S

(12) **United States Design Patent**
Martin

(10) **Patent No.:** **US D914,546 S**
(45) **Date of Patent:** **** Mar. 30, 2021**

(54) **MOTORCYCLE, TOY, AND/OR REPLICAS THEREOF**

(71) Applicant: **Bayerische Motoren Werke Aktiengesellschaft**, Munich (DE)

(72) Inventor: **Andreas Maximilian Martin**, Hoehenkirchen-Siegersbrunn (DE)

(73) Assignee: **Bayerische Motoren Werke Aktiengesellschaft**, Munich (DE)

(**) Term: **15 Years**

(21) Appl. No.: **29/708,080**

(22) Filed: **Oct. 3, 2019**

(30) **Foreign Application Priority Data**

Apr. 11, 2019 (DE) 402019100424.6

(51) **LOC (13) Cl.** **12-14**

(52) **U.S. Cl.**
USPC **D12/110**

(58) **Field of Classification Search**
USPC D12/109, 110, 111, 114, 117, 126, 184, D12/186; D21/432, 458, 538
CPC B62D 37/00; B62D 57/00; B62K 9/00; B62K 11/04; B62K 17/00; B62K 19/48; B62M 7/12; F02B 61/02; A63H 17/21; B62J 17/00; B62J 17/04; B62J 29/00
See application file for complete search history.

(56) **References Cited**

U.S. PATENT DOCUMENTS

D732,436 S * 6/2015 Christoph D12/110
D755,681 S * 5/2016 Martin D12/110
D805,439 S * 12/2017 Hohdorf D12/110
D828,230 S * 9/2018 Cammorata D12/110
D849,602 S * 5/2019 Oyanagi D12/110
D859,219 S * 9/2019 Futamata D12/110

D859,220 S * 9/2019 Kishi D12/110
D860,059 S * 9/2019 Kottmann D12/110
D866,403 S * 11/2019 Lambri D12/110
D867,221 S * 11/2019 Tamura D12/110
D871,976 S * 1/2020 Martin D12/110
D875,615 S * 2/2020 Martin D12/110
D875,616 S * 2/2020 Martin D12/110
D875,617 S * 2/2020 Nagase D12/110

(Continued)

OTHER PUBLICATIONS

“Kawasaki Ninja® 650” Kawasaki., posted date Oct. 11, 2018 [online], [retrieved on Dec. 9, 2020]. Retrieved from the Internet <URL: <https://www.kawasaki.com/en-us/motorcycle/ninja/sport/ninja-650>> (Year: 2018).*

(Continued)

Primary Examiner — Darlington Ly

Assistant Examiner — Nasim Abdulaziz Ali

(74) *Attorney, Agent, or Firm* — Crowell & Moring LLP

(57) **CLAIM**

The ornamental design for a motorcycle, toy, and/or replicas thereof, as shown and described.

DESCRIPTION

This application contains subject matter related to the following co-pending U.S. design patent application:

Application Ser. No. 29/668,995, filed Nov. 5, 2018 and entitled “Motorcycle, Toy, and/or Replicas Thereof.”

FIG. 1 is a front and left side perspective view of a motorcycle, toy, and/or replicas thereof embodying my new design;

FIG. 2 is a left side elevation view thereof;

FIG. 3 is a right side elevation view thereof;

FIG. 4 is a front elevation view thereof;

FIG. 5 is a rear elevation view thereof;

FIG. 6 is a top plan view thereof; and,

FIG. 7 is a bottom plan view thereof.

1 Claim, 7 Drawing Sheets



(56)

References Cited

U.S. PATENT DOCUMENTS

D876,285 S * 2/2020 Watanabe D12/110
 D876,990 S * 3/2020 Yoshitomi D12/110
 D877,660 S * 3/2020 Katagiri D12/110
 D877,661 S * 3/2020 Shigihara D12/110
 D880,364 S * 4/2020 Nagao D12/110
 D880,365 S * 4/2020 McGinley D12/110
 D880,366 S * 4/2020 Shedjale D12/110
 D880,367 S * 4/2020 Koike D12/110
 D884,562 S * 5/2020 Usami D12/110
 D886,685 S * 6/2020 Zhang D12/110
 D890,033 S * 7/2020 Carducci D12/110
 D890,859 S * 7/2020 Tearne D21/563
 D893,358 S * 8/2020 Buell D12/114
 D895,486 S * 9/2020 McGinley D12/110
 D895,487 S * 9/2020 Richards D12/110
 D902,083 S * 11/2020 Arru D12/110
 D903,008 S * 11/2020 Tearne D21/538
 D903,009 S * 11/2020 Tearne D21/538
 2018/0346052 A1 * 12/2018 Uchida B62K 19/12
 2018/0346063 A1 * 12/2018 Murayama B62K 25/283

2019/0302452 A1 * 10/2019 Nishida B62K 23/02
 2020/0102041 A1 * 4/2020 Pelz B62K 11/04
 2020/0223509 A1 * 7/2020 Kawabata F02M 35/162
 2020/0282850 A1 * 9/2020 Shimamura B62J 45/00

OTHER PUBLICATIONS

“2019 G 310 GS” BMW., posted date Nov. 10, 2017 [online], [retrieved on Dec. 9, 2020]. Retrieved from the Internet <URL: <https://www.bmwmotorcycles.com/en/models/adventure/g310gs.html>> (Year: 2017).*

“2021 S 1000 XR” BMW., posted date Nov. 5, 2019 [online], [retrieved on Dec. 9, 2020]. Retrieved from the Internet < URL: <https://www.bmwmotorcycles.com/en/models/adventure/s1000xr.html>> (Year: 2020).*

“8 Best Newest 2020 BMW Motorcycles” (via YouTube), posted date May 19, 2020 [online], [retrieved on Dec. 9, 2020]. Video retrieved from internet <URL:<https://www.youtube.com/watch?v=T4eAPQqL0zY>> (Year: 2020).*

* cited by examiner



Fig. 1

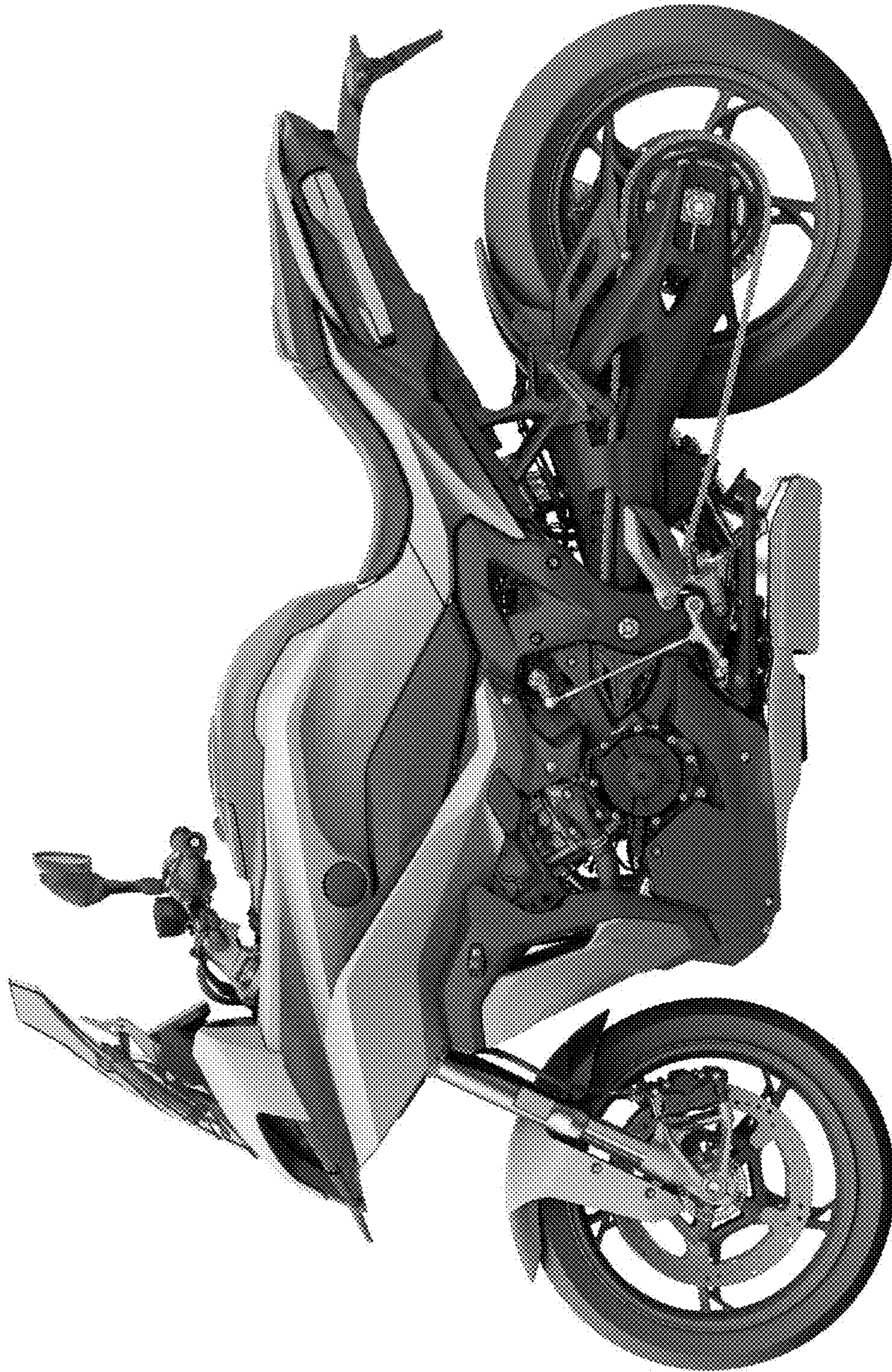


Fig. 2



Fig. 3

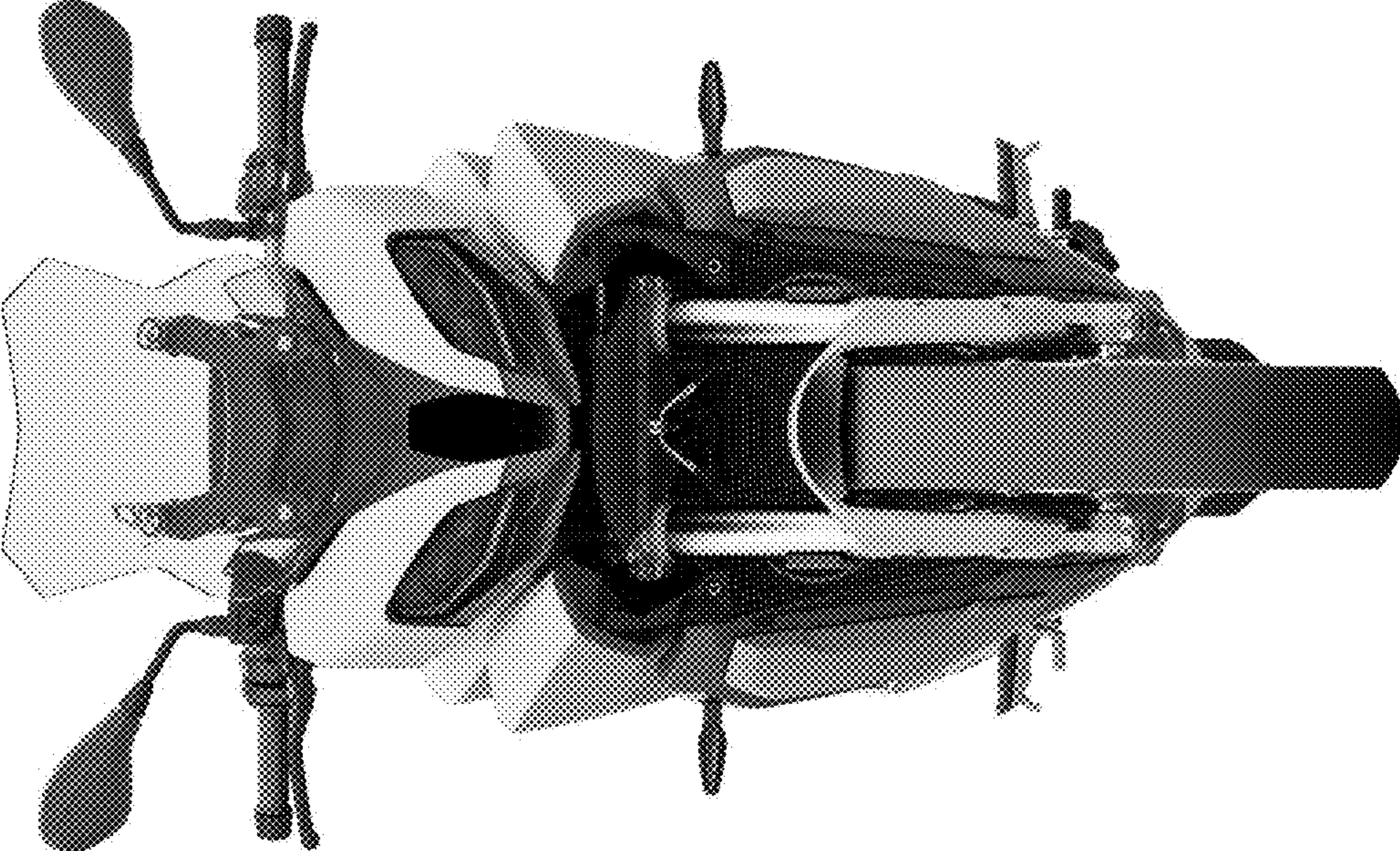


Fig. 4

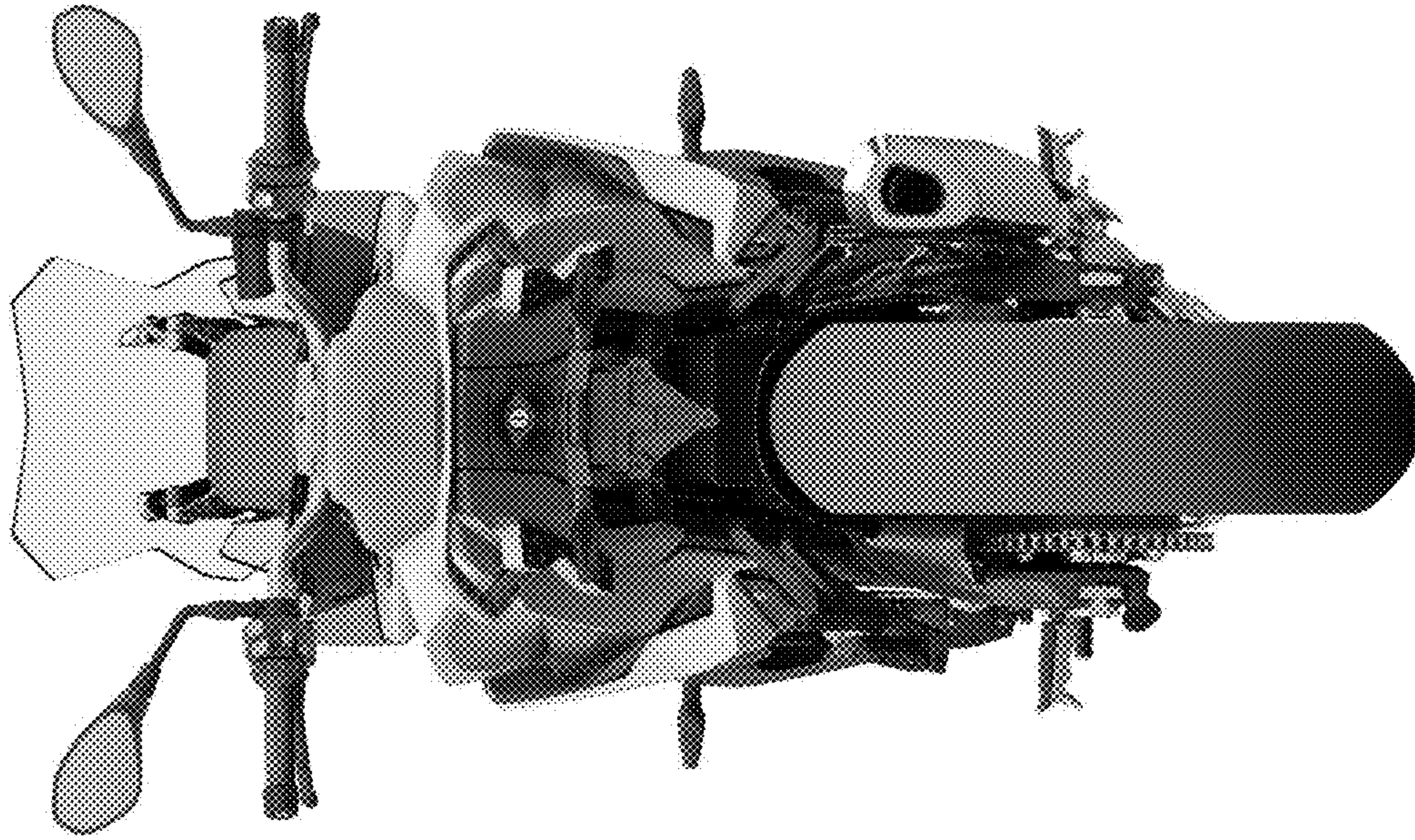


Fig. 5

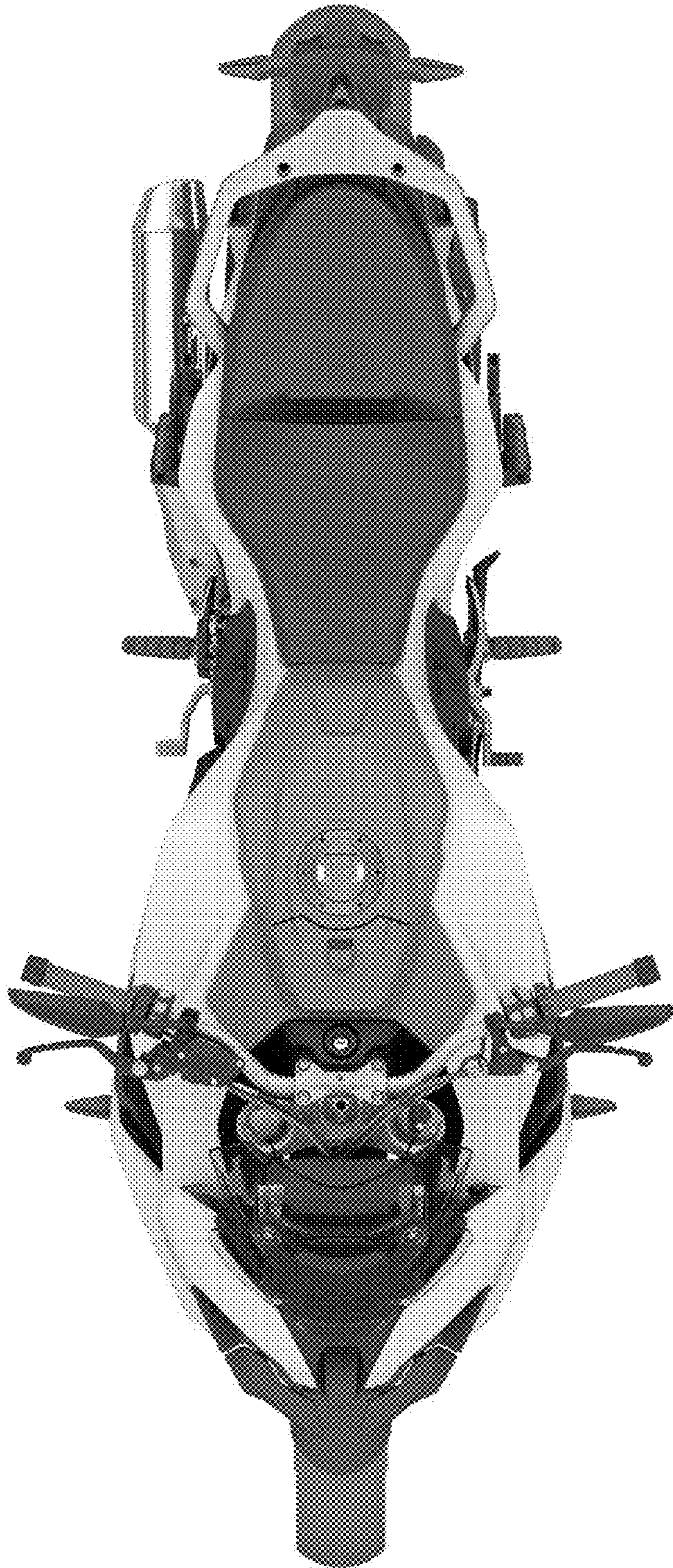


Fig. 6

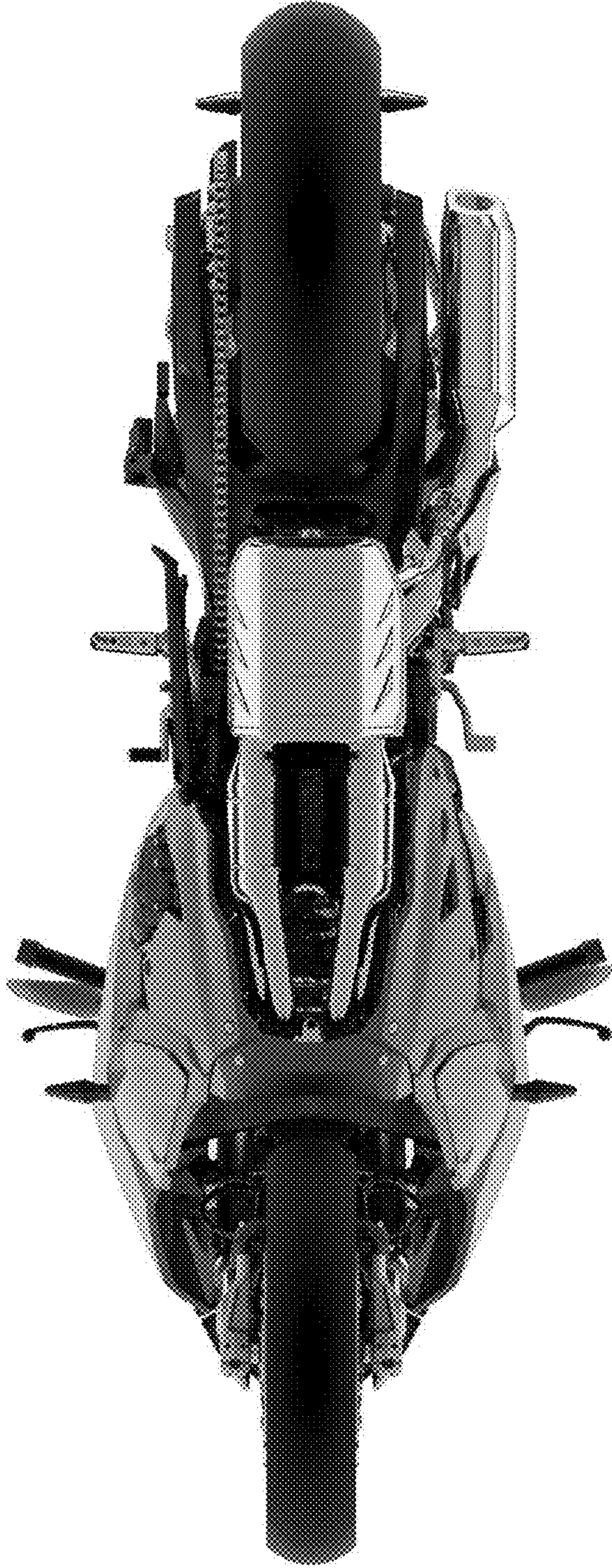


Fig. 7