



US00D914545S

(12) **United States Design Patent** (10) **Patent No.:** **US D914,545 S**  
**Seo** (45) **Date of Patent:** **\*\* Mar. 30, 2021**

(54) **AUTOMOBILE**

(71) Applicants: **Hyundai Motor Company**, Seoul (KR); **Kia Motors Corporation**, Seoul (KR)

(72) Inventor: **Je Won Seo**, Seoul (KR)

(73) Assignees: **Hyundai Motor Company**, Seoul (KR); **Kia Motors Corporation**, Seoul (KR)

(\*\*) Term: **15 Years**

(21) Appl. No.: **35/508,309**

(22) Filed: **Jul. 5, 2019**

(80) **Hague Agreement Data**

Int. Filing Date: **Jul. 5, 2019**  
Int. Reg. No.: **DM/204156**  
Int. Reg. Date: **Jul. 5, 2019**  
Int. Reg. Pub. Date: **Jan. 10, 2020**

(30) **Foreign Application Priority Data**

Jun. 3, 2019 (KR) ..... 30-2019-0026217

(51) **LOC (13) Cl.** ..... **12-08**

(52) **U.S. Cl.**  
USPC ..... **D12/92**

(58) **Field of Classification Search**  
USPC ..... D12/86, 88, 90-92, 184, 196; D21/424, D21/433, 434, 533, 548  
CPC ..... B62D 25/00; B62D 25/02; B62D 25/06; B62D 35/00; B62D 35/005; B60J 5/04  
See application file for complete search history.

(56) **References Cited**

**U.S. PATENT DOCUMENTS**

D640,603 S \* 6/2011 Ham ..... D12/92  
D714,688 S \* 10/2014 Baek ..... D12/92

D731,926 S \* 6/2015 Kobayashi ..... D12/92  
D787,375 S \* 5/2017 Curic ..... D12/92  
D788,646 S \* 6/2017 Kim ..... D12/92  
D800,021 S \* 10/2017 Hagino ..... D12/92  
D802,483 S \* 11/2017 Fahr-Becker ..... D12/92  
D808,304 S \* 1/2018 Chung ..... D12/92  
D809,973 S \* 2/2018 Ahn ..... D12/92  
D821,268 S \* 6/2018 Kim ..... D12/92  
D823,723 S \* 7/2018 Brendel ..... D12/92  
D824,808 S \* 8/2018 Badstuebner ..... D12/92  
D860,868 S \* 9/2019 Bischoff ..... D12/92  
D860,880 S \* 9/2019 Huet ..... D12/164  
D869,338 S \* 12/2019 Shim ..... D12/91  
D874,344 S \* 2/2020 Ham ..... D12/92  
D875,609 S \* 2/2020 Bischoff ..... D12/92  
D875,634 S \* 2/2020 Lim ..... D12/196  
D879,664 S \* 3/2020 Chen ..... D12/91  
D895,485 S \* 9/2020 Han ..... D12/91  
D898,622 S \* 10/2020 Wittinger ..... D12/92  
D899,970 S \* 10/2020 Tanaka ..... D12/91  
D899,971 S \* 10/2020 Tanaka ..... D12/92  
D903,564 S \* 12/2020 Warner ..... D12/196

\* cited by examiner

*Primary Examiner* — George D. Kirschbaum  
*Assistant Examiner* — Calvin E Vansant  
(74) *Attorney, Agent, or Firm* — Mintz Levin Cohn Ferris Glovsky and Popeo, P.C.; Peter F. Corless; Carolina E. Säve

(57) **CLAIM**

The ornamental design for automobile, as shown and described.

**DESCRIPTION**

- 1. Automobile
- 1.1 : Perspective
- 1.2 : Front
- 1.3 : Back
- 1.4 : Left
- 1.5 : Right
- 1.6 : Top

**1 Claim, 6 Drawing Sheets**





1.1

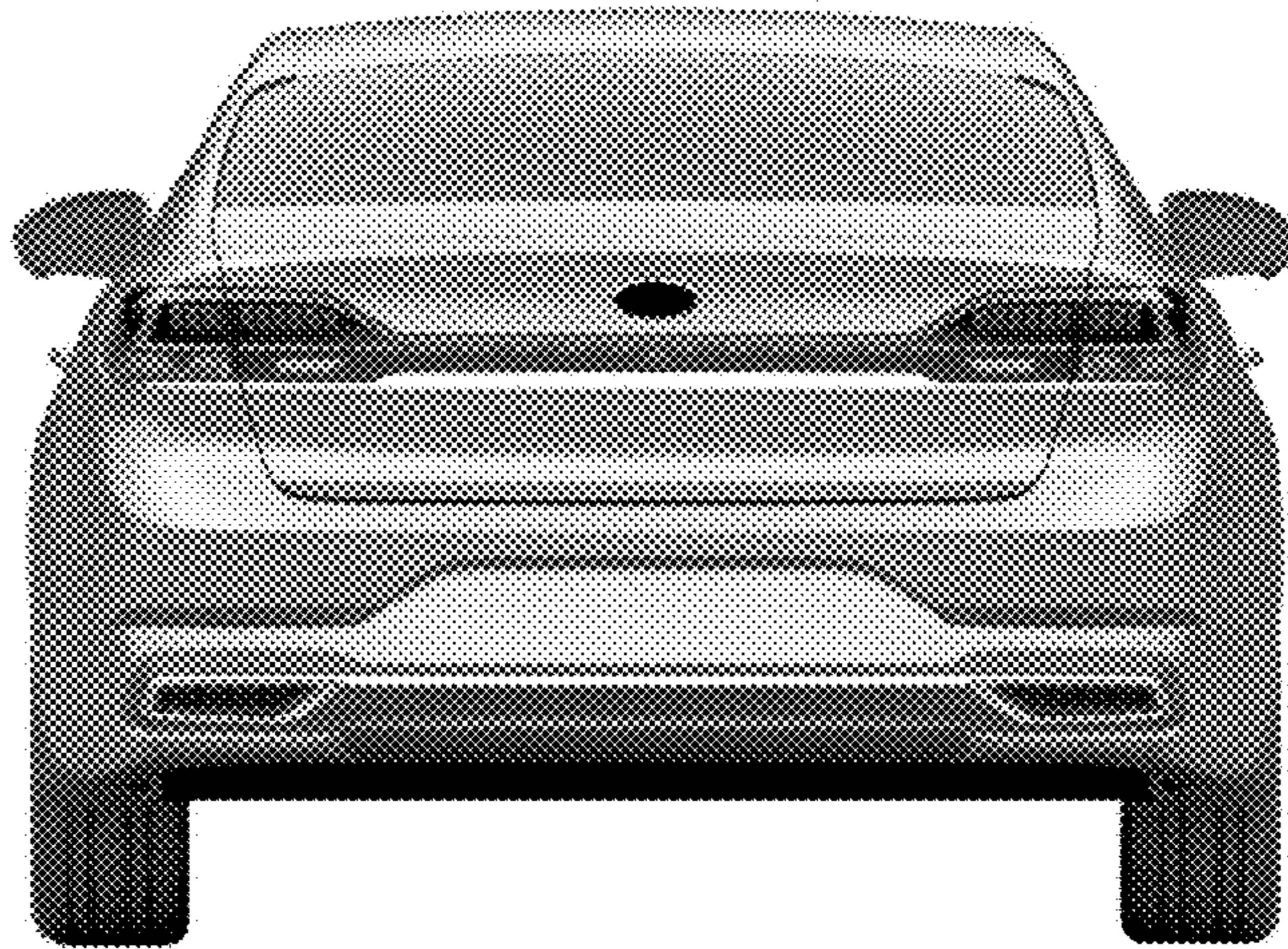


1.2

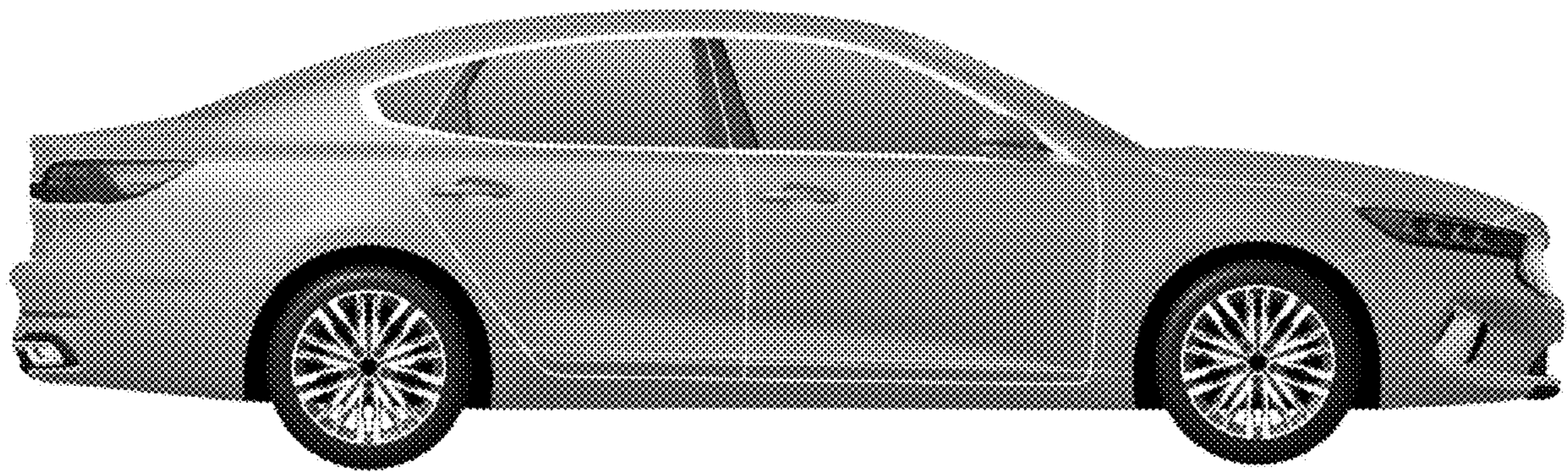




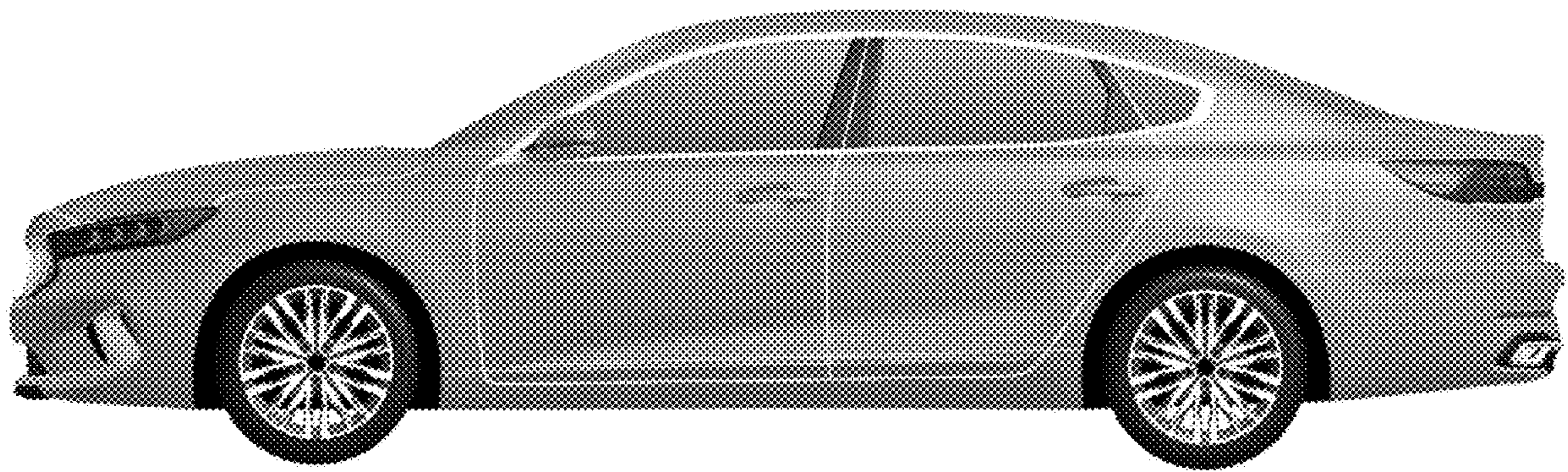
1.3



1.4



1.5





1.6

