



US00D914543S

(12) **United States Design Patent**  
**Badstuebner et al.**

(10) **Patent No.:** **US D914,543 S**  
(45) **Date of Patent:** **\*\* Mar. 30, 2021**

(54) **VEHICLE, TOY, AND/OR REPLICAS THEREOF**

D862,287 S \* 10/2019 Badstuebner ..... D12/91  
D867,212 S \* 11/2019 Badstuebner ..... D12/91  
D873,715 S \* 1/2020 Badstuebner ..... D12/91  
D873,716 S \* 1/2020 Badstuebner ..... D12/91  
D886,679 S \* 6/2020 Hellwig ..... D12/91

(71) Applicant: **Daimler AG**, Stuttgart (DE)

(72) Inventors: **Achim-Dietrich Badstuebner**, Munich (DE); **Marco Cartarius**, Weil im Schoenbuch (DE); **Mark Fetherston**, Stuttgart (DE); **Robert Lesnik**, Leonberg (DE); **Laurent Olivier**, Vence (FR); **Andreas Rommel**, Sindelfingen (DE); **Gorden Wagener**, Gaeufelden (DE)

**FOREIGN PATENT DOCUMENTS**

EM 003463819-0001 5/2019

**OTHER PUBLICATIONS**

“EQCool!,” *Auto Bild*, Sep. 6, 2018, pp. 14-15, Germany.

\* cited by examiner

*Primary Examiner* — Melody N Brown

(74) *Attorney, Agent, or Firm* — Crowell & Moring LLP

(73) Assignee: **Daimler AG**, Stuttgart (DE)

(\*\*) Term: **15 Years**

(21) Appl. No.: **29/691,561**

(22) Filed: **May 17, 2019**

(57) **CLAIM**

The ornamental design for a vehicle, toy, and/or replicas thereof, as shown and described.

(30) **Foreign Application Priority Data**

Nov. 19, 2018 (DE) ..... 402018203904.0

(51) **LOC (13) Cl.** ..... **12-08**

(52) **U.S. Cl.**  
USPC ..... **D12/91**

(58) **Field of Classification Search**  
USPC ..... D12/86, 90-92; D21/424, 433, 434;  
296/181.1-181.5, 183.1  
CPC ..... B62D 25/00; B62D 25/06; B62D 33/00;  
B62D 35/00  
See application file for complete search history.

**DESCRIPTION**

FIG. 1 is a left, front perspective view of a vehicle, toy, and/or replicas thereof according to the design;  
FIG. 2 is a left, rear perspective view thereof;  
FIG. 3 is a front view thereof;  
FIG. 4 is a left side view thereof;  
FIG. 5 is a right side view thereof;  
FIG. 6 is a rear view thereof; and,  
FIG. 7 is a top view thereof.

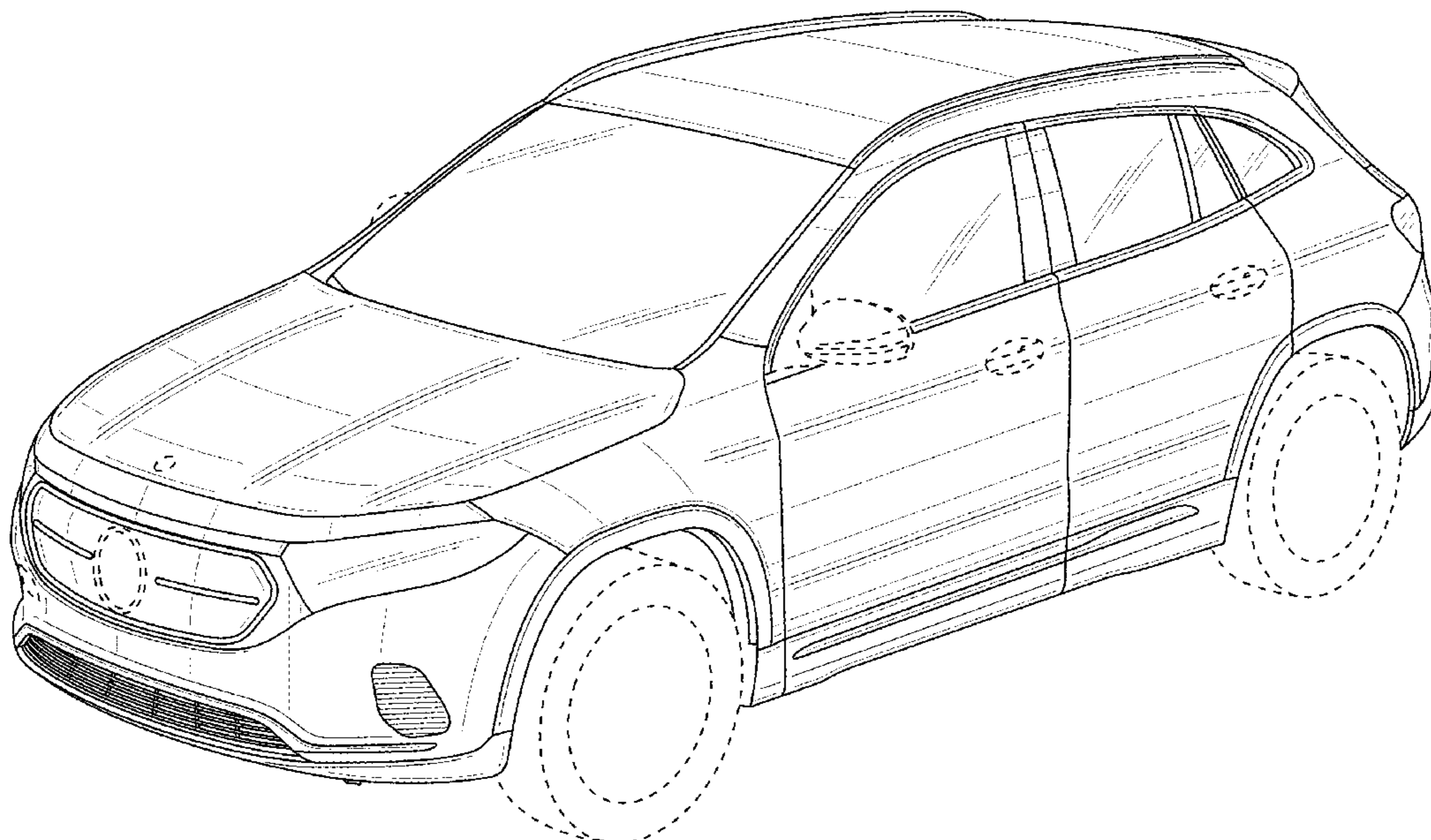
The broken lines in the drawings illustrate environmental subject matter only and form no part of the claimed design.

(56) **References Cited**

**U.S. PATENT DOCUMENTS**

D608,695 S \* 1/2010 Burki ..... D12/91  
D827,497 S \* 9/2018 Frei ..... D12/91

**1 Claim, 7 Drawing Sheets**



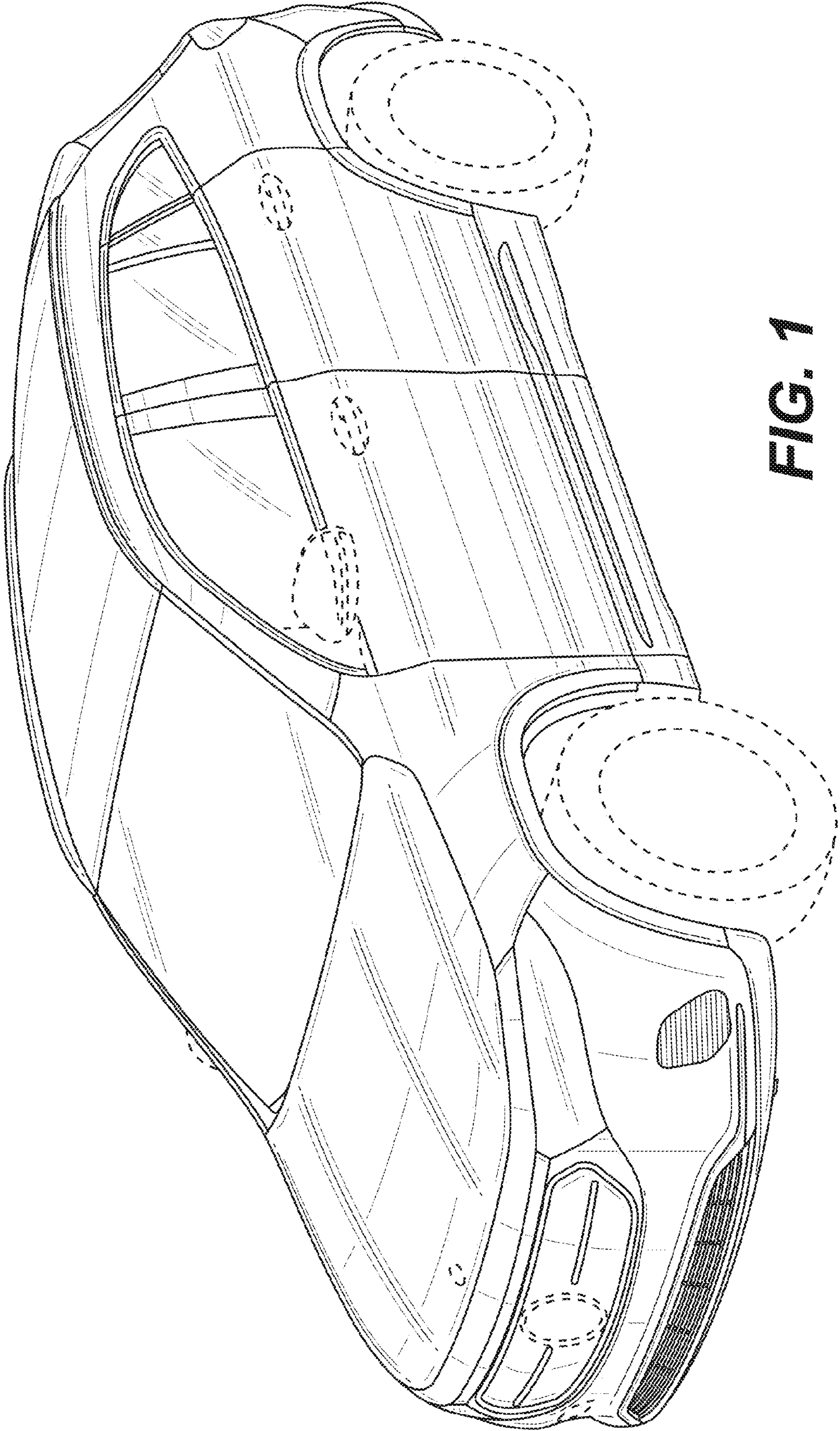
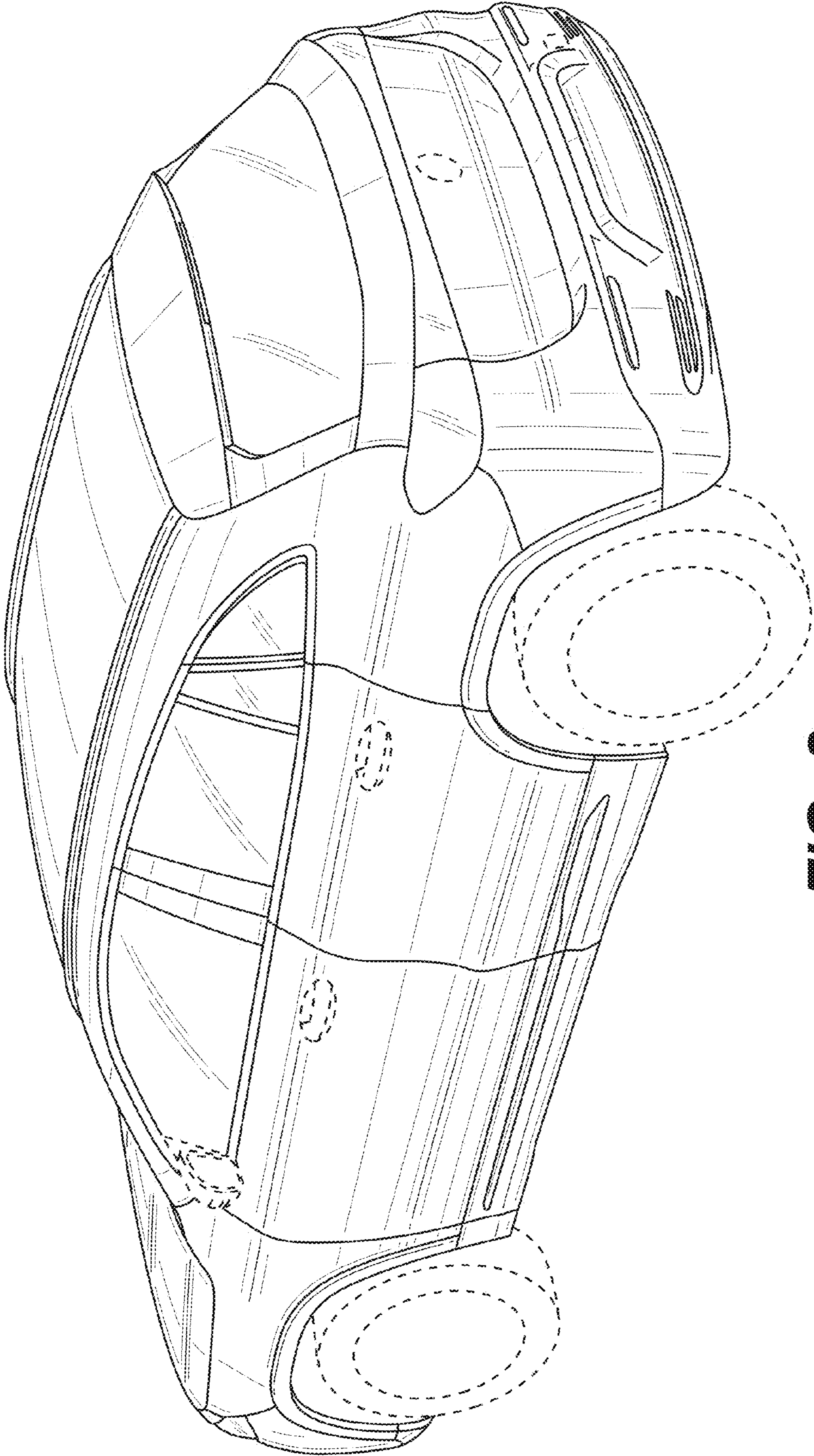
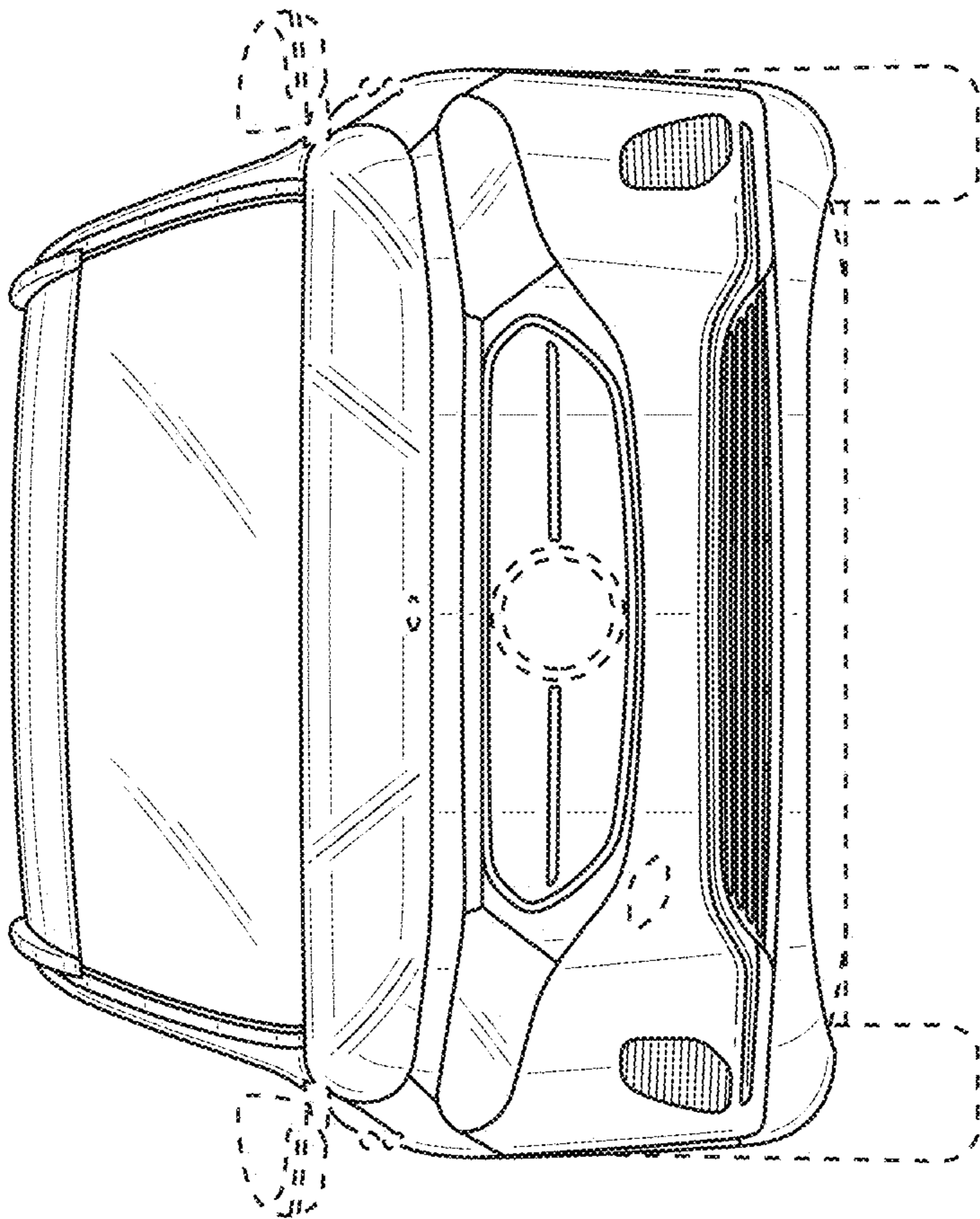


FIG. 1

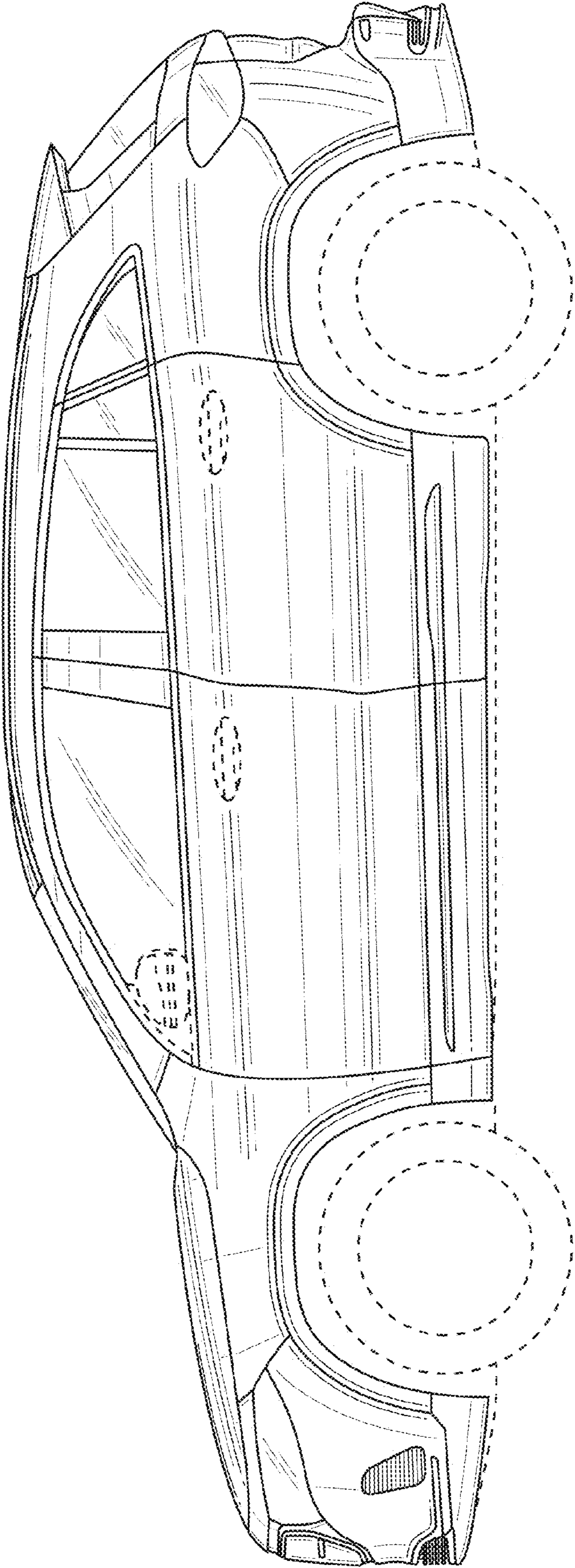




**FIG. 2**

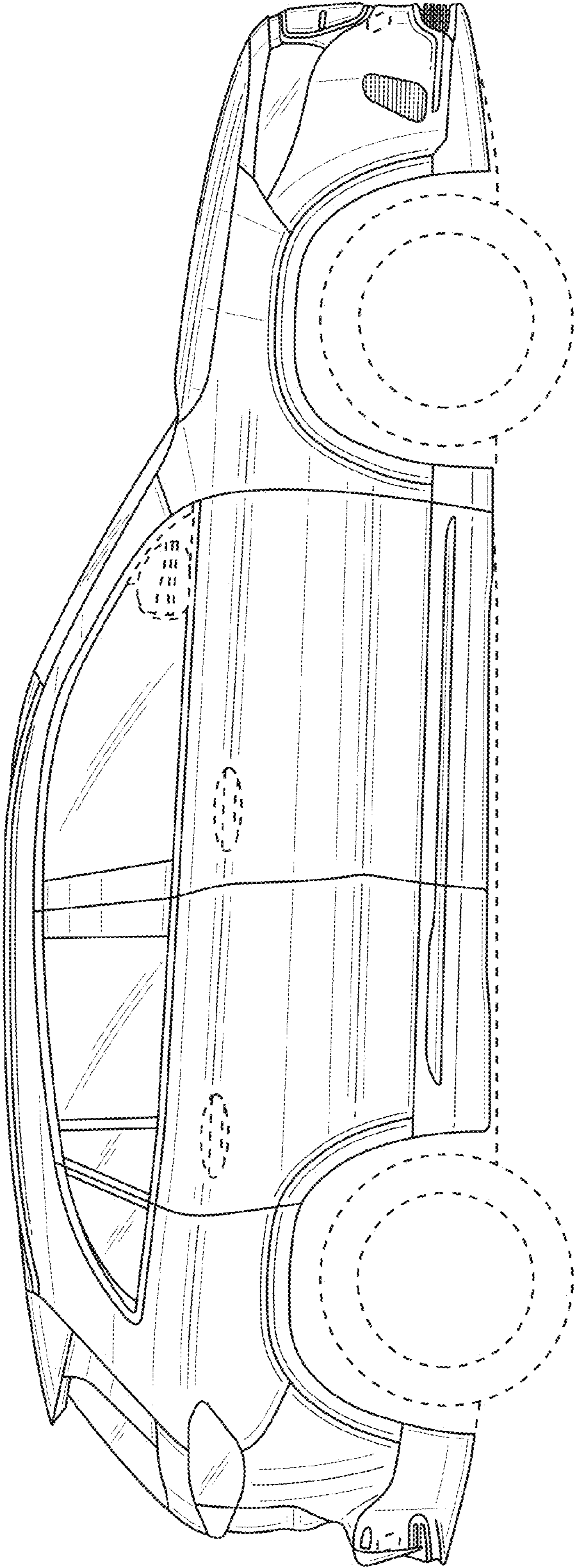


**FIG. 3**

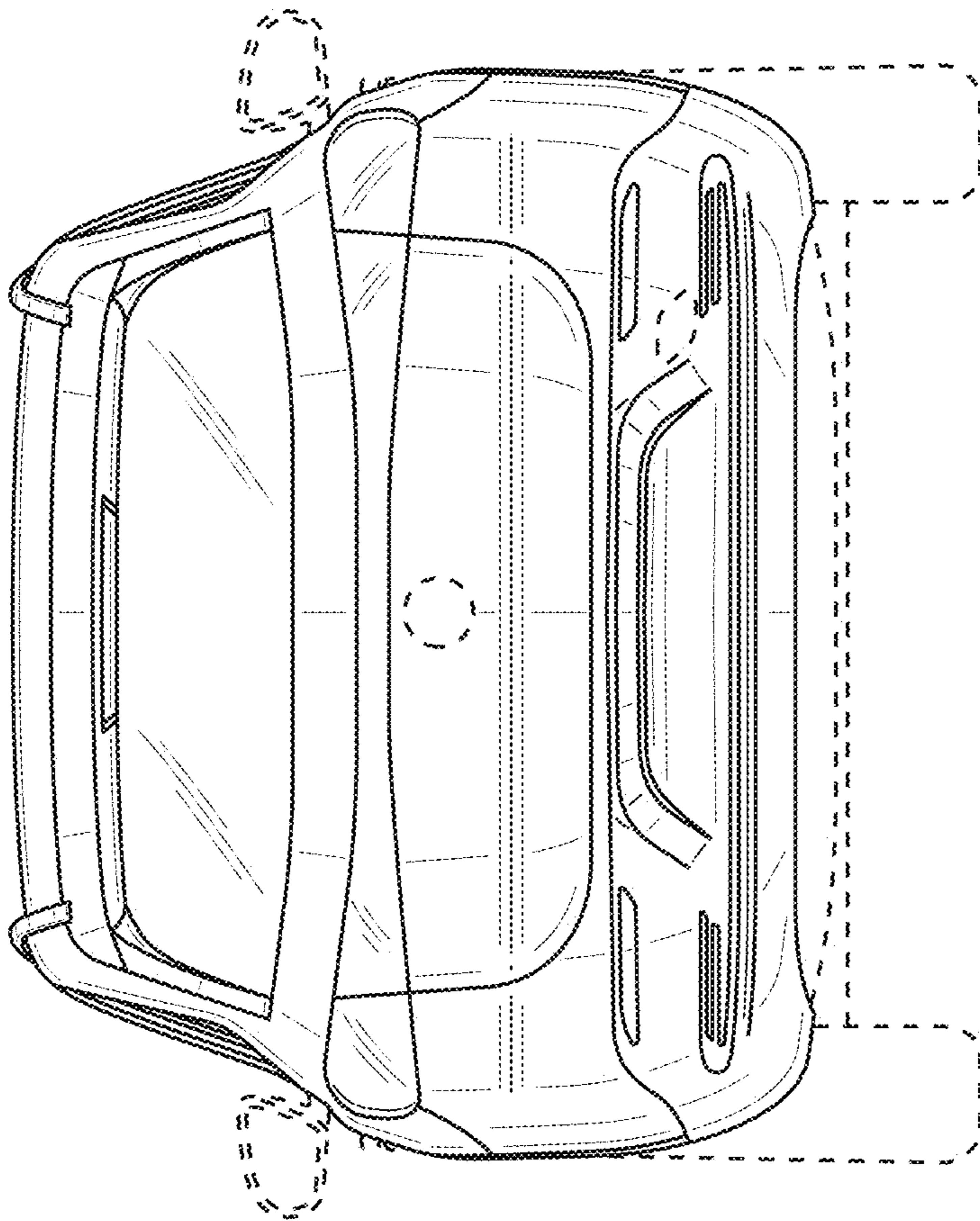


**FIG. 4**

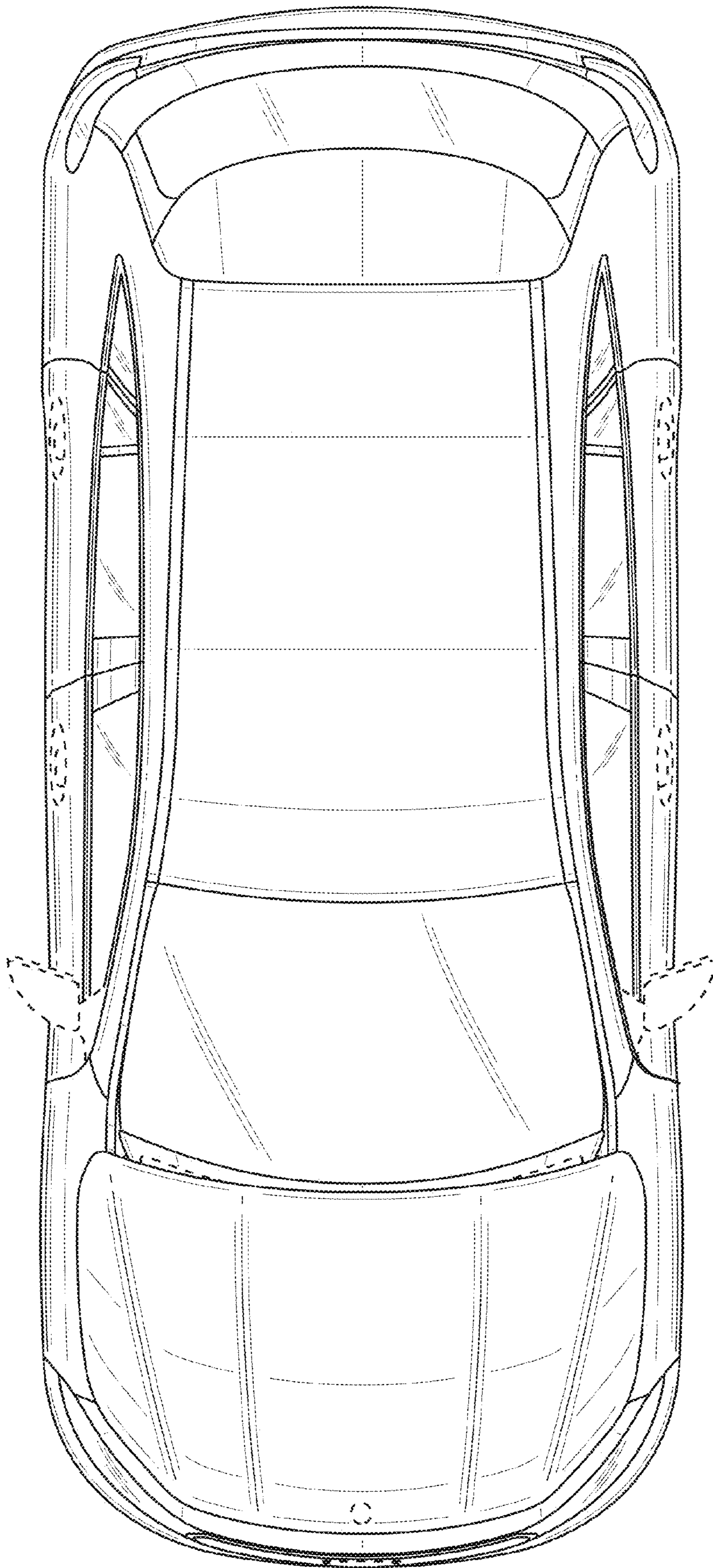




**FIG. 5**



**FIG. 6**



**FIG. 7**