



US00D914537S

(12) **United States Design Patent**
Gurung

(10) **Patent No.:** **US D914,537 S**

(45) **Date of Patent:** **** Mar. 30, 2021**

(54) **JEWELLERY**

(71) Applicant: **Tasaki & Co., Ltd.**, Kobe (JP)

(72) Inventor: **Prabal Gurung**, New York, NY (US)

(73) Assignee: **TASAKI & Co., Ltd.**, Kobe (JP)

(**) Term: **15 Years**

(21) Appl. No.: **29/685,112**

(22) Filed: **Mar. 26, 2019**

(51) **LOC (13) Cl.** **11-01**

(52) **U.S. Cl.**

USPC **D11/79**

(58) **Field of Classification Search**

USPC D11/1-18, 26, 30, 39, 40-49, 56, 57, 58,
D11/60, 61, 64, 72, 75, 76, 78-86,
D11/95-100, 102-103, 115, 116, 27, 28,
D11/34

CPC .. A44C 1/00; A44C 3/00; A44C 3/001; A44C
3/004; A44C 3/005; A44C 5/00; A44C
5/02; A44C 7/00; A44C 7/002; A44C
7/003; A44C 7/004; A44C 7/005; A44C
7/006; A44C 7/007; A44C 7/008; A44C
9/00; A44C 9/0007; A44C 9/0015; A44C
9/0023; A44C 9/003; A44C 15/00; A44C
15/0015; A44C 15/002; A44C 15/0025;
A44C 15/005; A44C 15/0055; A44C
21/00; A44C 23/00; A44C 25/00; A44C
25/001; A44C 25/002; A44C 25/005;
A44C 25/007; A44C 25/008

See application file for complete search history.

(56) **References Cited**

U.S. PATENT DOCUMENTS

D135,259 S * 3/1943 Pereira D11/27
D164,717 S * 10/1951 Philippe D11/85
D178,399 S * 7/1956 Katz D11/45
3,071,938 A * 1/1963 Davidson A44C 7/00
63/13

3,828,577 A * 8/1974 Haynes A44C 15/0065
63/33
4,724,684 A * 2/1988 Barnett A44C 7/00
63/14.1
D394,412 S * 5/1998 Hanson D11/40
D420,304 S * 2/2000 Porcell D11/40
D551,115 S * 9/2007 Azrielant D11/79
D631,772 S * 2/2011 Gomersall D11/1
D666,117 S * 8/2012 Le Bail D11/26
D722,519 S * 2/2015 Marchand D11/81
D742,276 S * 11/2015 Behney D11/81

(Continued)

OTHER PUBLICATIONS

Aurora Tasaki Global, no date available, [online], [site visited Oct. 2, 2020]. Retrieved from url:https://www.tasaki-global.com/jewellery/atelier/tasaki_atelier/aurora/E-4168-18KSG/?jewellery=earrings (Year: 2020).*

(Continued)

Primary Examiner — Wendy L Arminio

Assistant Examiner — Tracey J Bell

(74) *Attorney, Agent, or Firm* — Rankin, Hill & Clark
LLP

(57) **CLAIM**

I claim the ornamental design for jewellery, as shown and described.

DESCRIPTION

FIG. 1 is a perspective view of jewellery, showing my new design;

FIG. 2 is a front elevational view thereof;

FIG. 3 is a rear elevational view thereof;

FIG. 4 is a top plan view thereof;

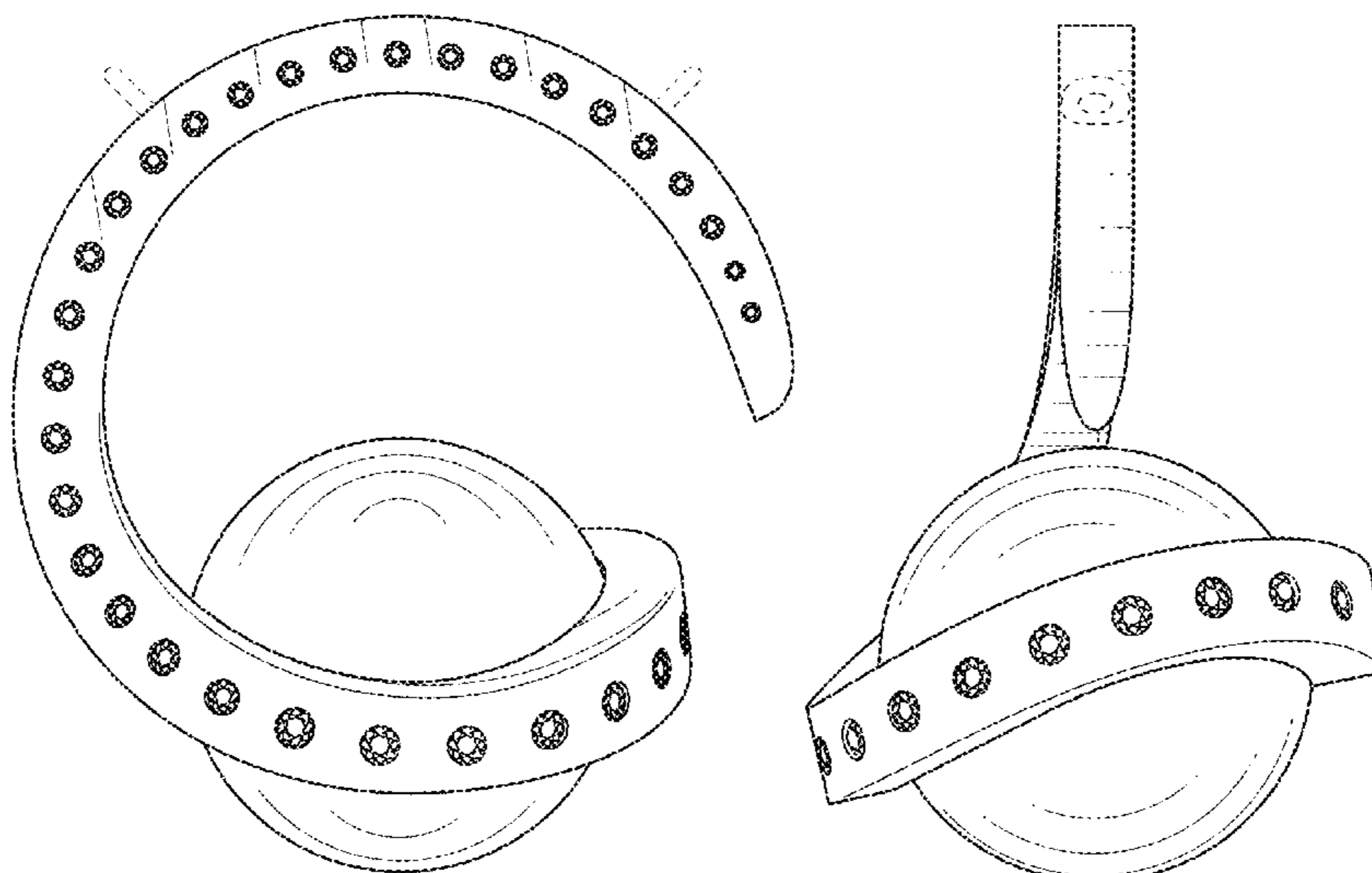
FIG. 5 is a bottom plan view thereof;

FIG. 6 is a right side elevational view thereof; and,

FIG. 7 is a left side elevational view thereof.

The broken lines illustrate portions of the jewellery and form no part of the claimed design.

1 Claim, 4 Drawing Sheets



(56)

References Cited

U.S. PATENT DOCUMENTS

D796,989 S *	9/2017	Gruosi	D11/91
D851,532 S *	6/2019	Yamada	D11/40
D878,955 S *	3/2020	Gurung	D11/34
D882,447 S *	4/2020	Gurung	D11/26
D882,448 S *	4/2020	Gurung	D11/26
D882,451 S *	4/2020	Gurung	D11/79
D885,235 S *	5/2020	Gurung	D11/26
D885,239 S *	5/2020	Gurung	D11/40
D903,523 S *	12/2020	Li	D11/81

OTHER PUBLICATIONS

Amazon Pearl Pendant Gold Necklace, Jun. 28, 2018, [online], [site visited Dec. 10, 2020]. Retrieved from url:<https://www.amazon.com/Pearl-Pendant-Necklace-Chain-Women/dp/B07DXSXGSR> (Year: 2018).*

Tasaki Aurora Necklace PN-16868-18KWG, no date available, [online], [site visited Dec. 10, 2020]. Retrieved from url:https://www.tasaki-global.com/jewellery/atelier/tasaki_atelier/aurora/PN-16868-18KWG/?jewellery=necklace (Year: 2020).*

* cited by examiner

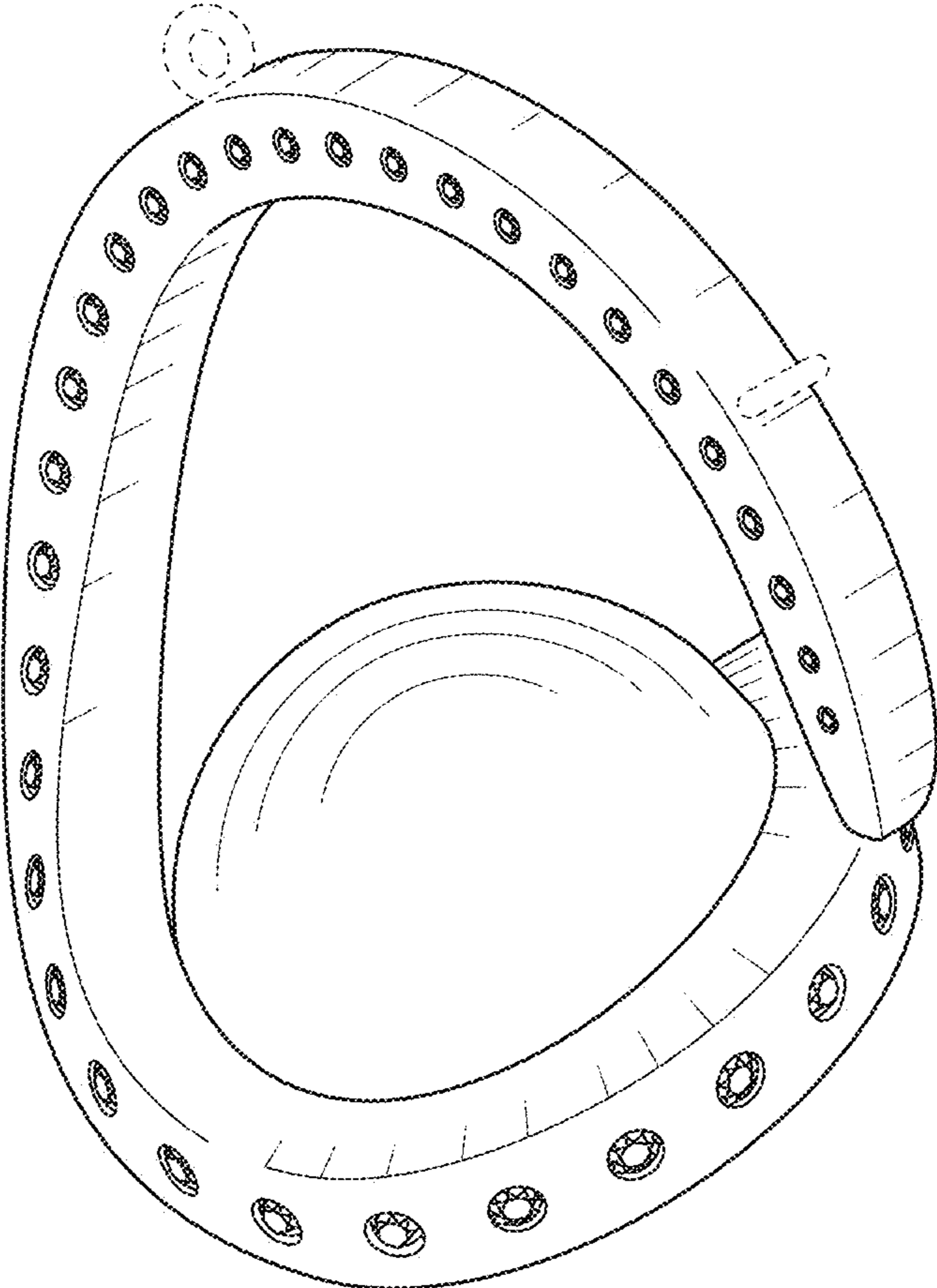


FIG. 1

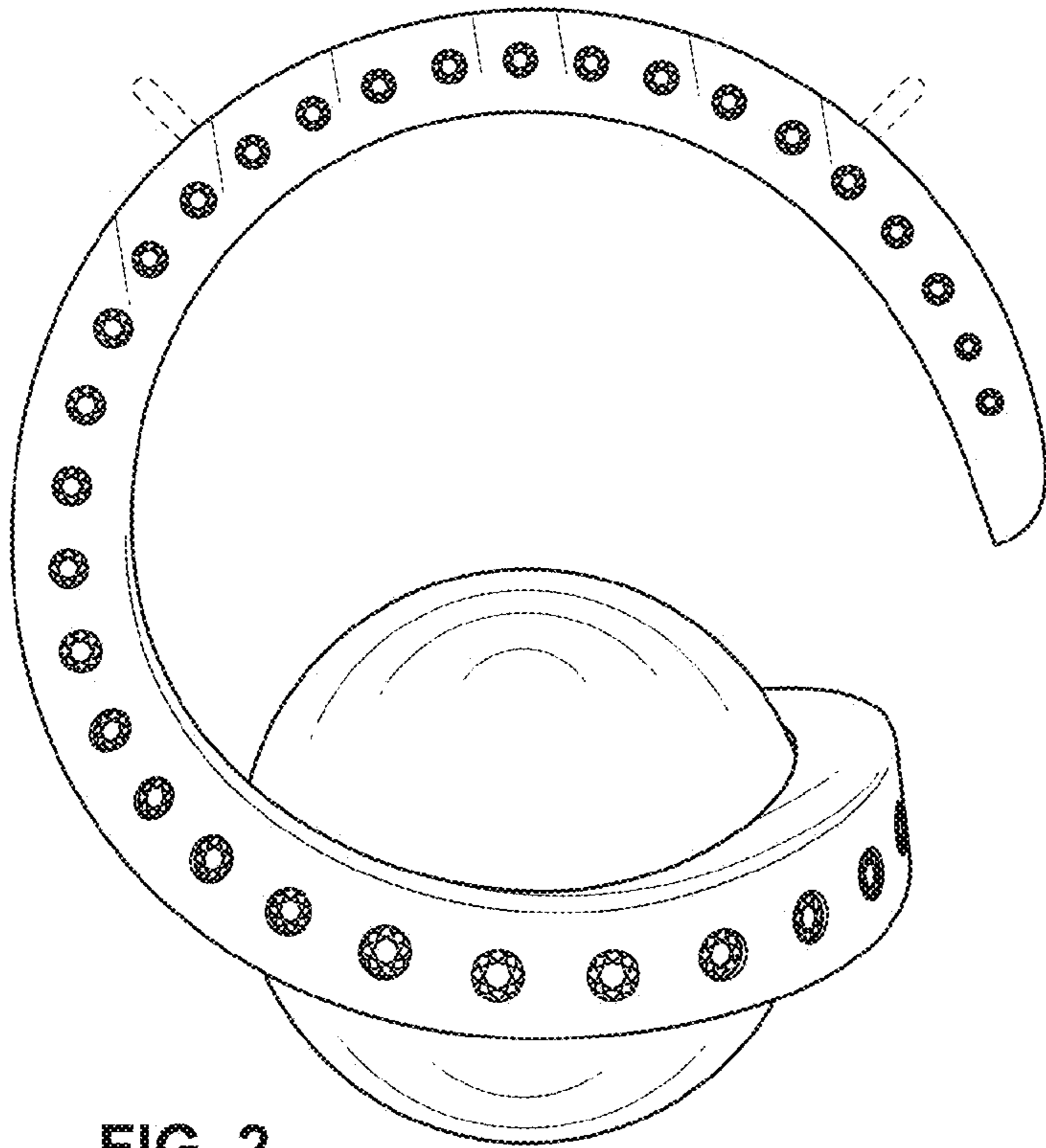


FIG. 2

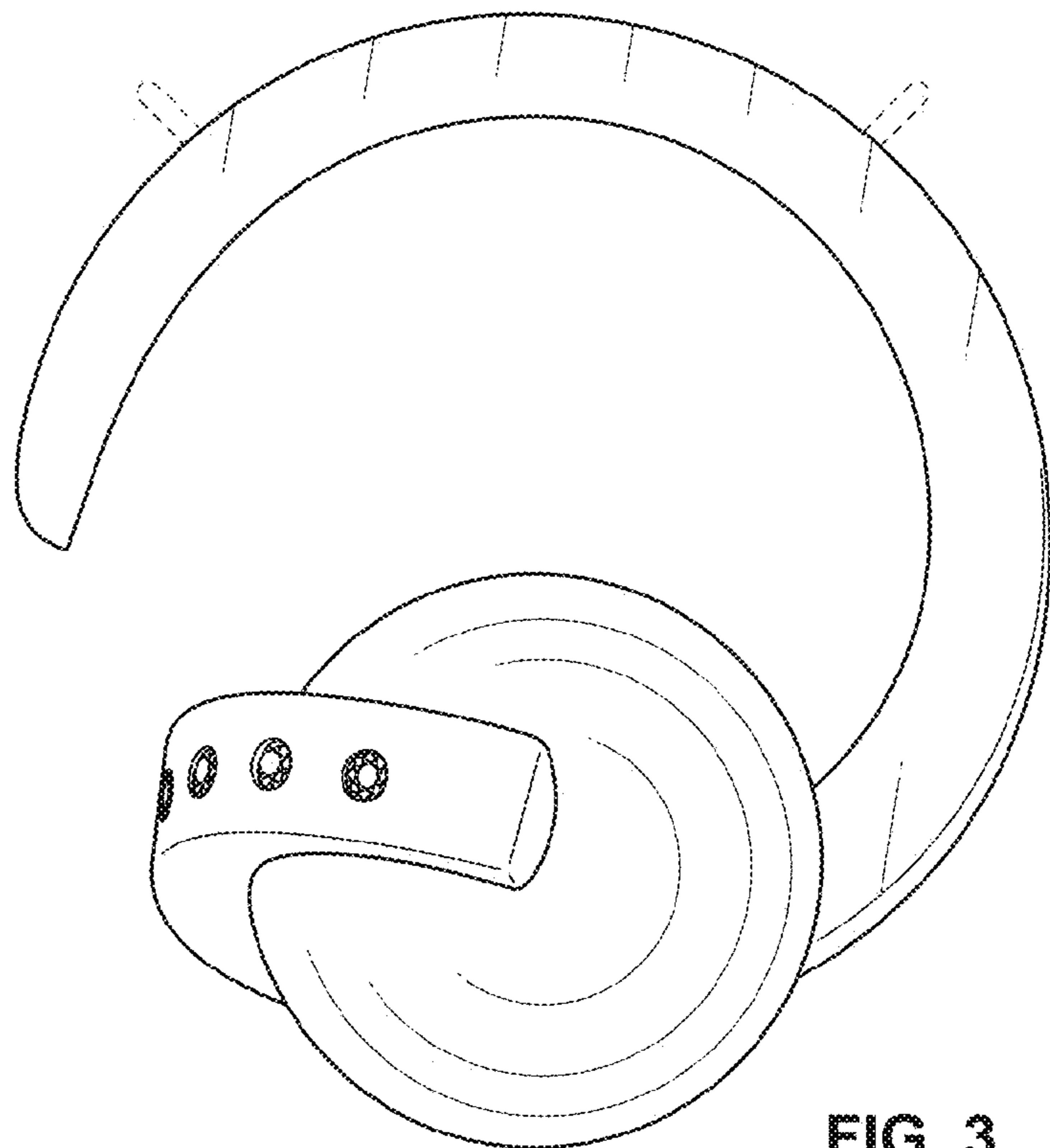


FIG. 3

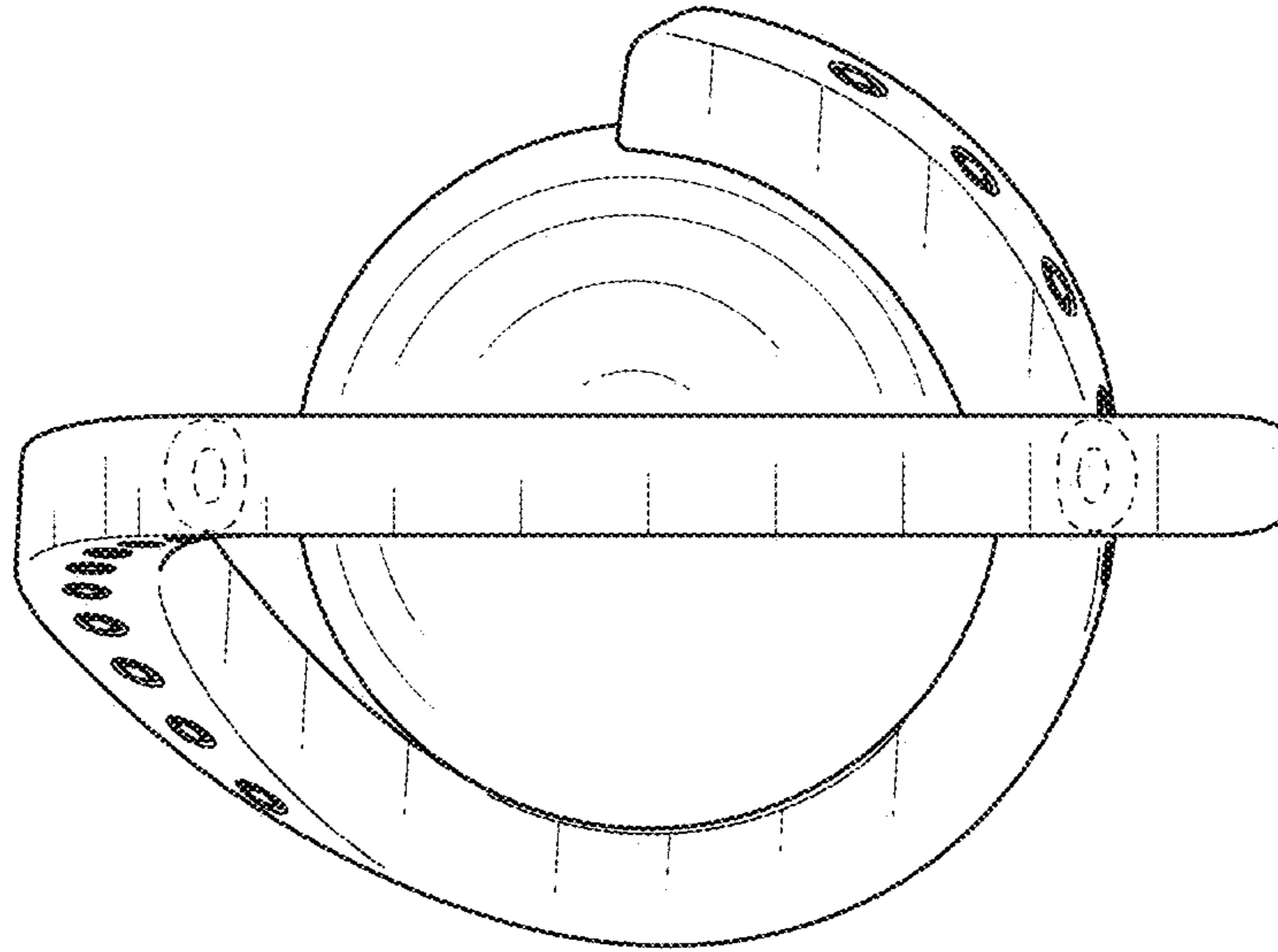


FIG. 4

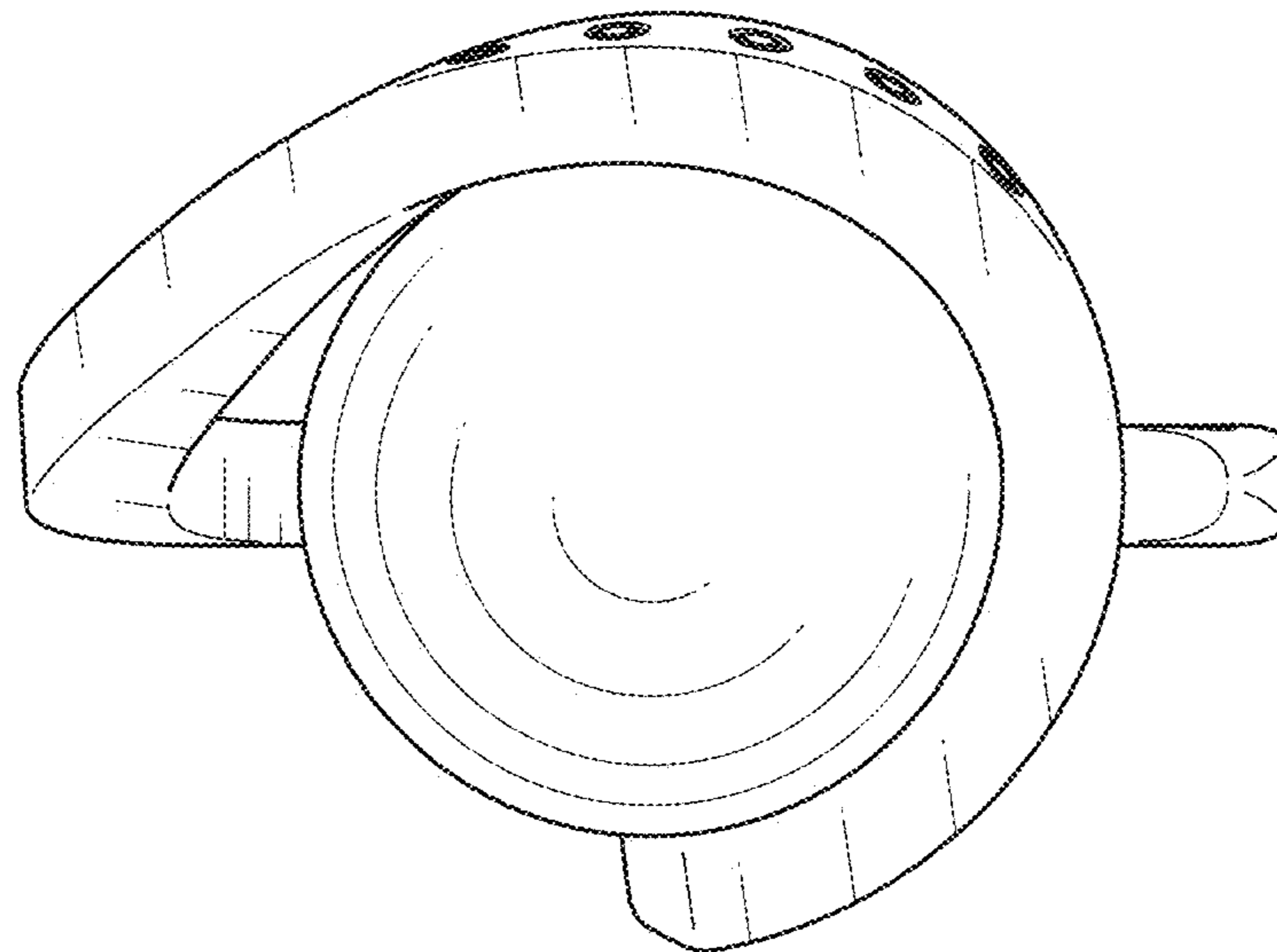


FIG. 5

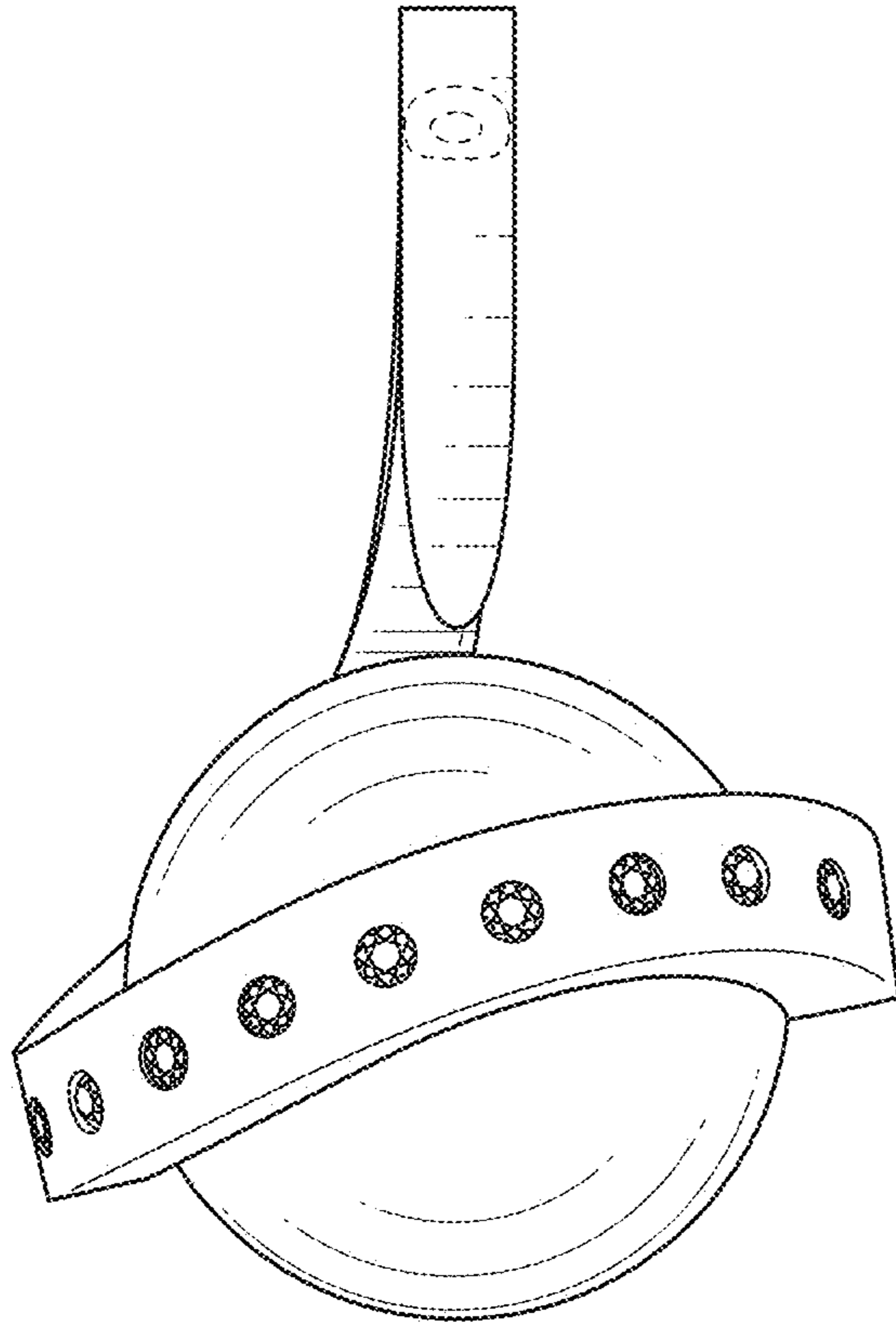


FIG. 6

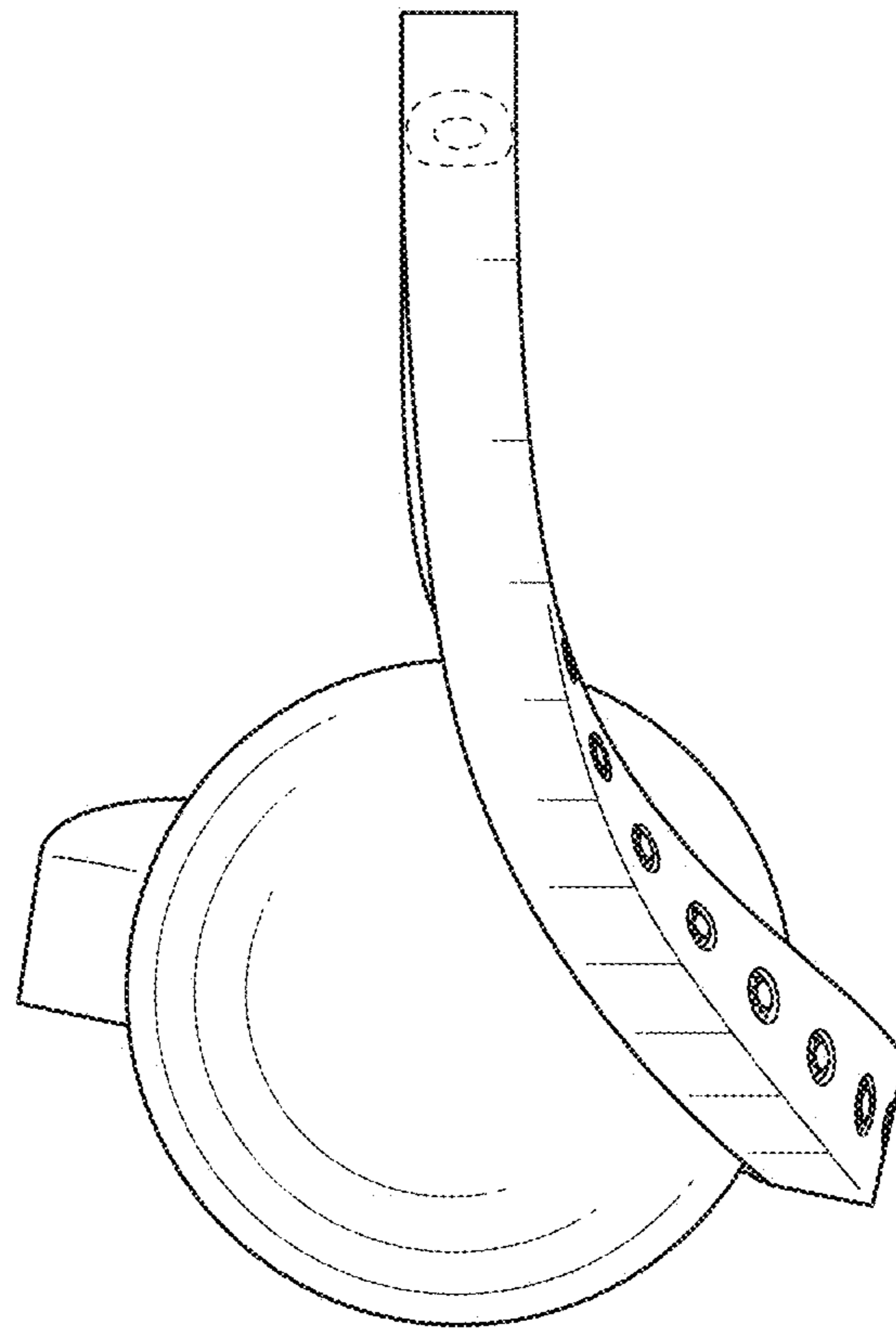


FIG. 7