



US00D914534S

(12) **United States Design Patent** (10) **Patent No.:** **US D914,534 S**
Sivriere (45) **Date of Patent:** **** Mar. 30, 2021**

(54) **EARRING**
(71) Applicant: **Richemont International SA,**
Villars-sur-Glane (CH)
(72) Inventor: **Stephanie Sivriere,** Geneva (CH)
(73) Assignee: **Richemont International SA,**
Villars-sur-Glane (CH)

D156,026 S * 11/1949 Osers D11/44
5,588,309 A * 12/1996 Chioffe A44C 7/003
24/705
D780,027 S * 2/2017 Stern D11/34
D814,333 S * 4/2018 Penna D11/79
D821,911 S * 7/2018 Stern D11/79
D822,531 S * 7/2018 Stern D11/40
D822,532 S * 7/2018 Stern D11/40
D824,278 S * 7/2018 Sallard D11/79
D852,079 S * 6/2019 Sivriere D11/33
D865,561 S * 11/2019 Sivriere D11/42

(**) Term: **15 Years**

OTHER PUBLICATIONS

(21) Appl. No.: **29/693,510**

Piaget Sunset Earring G38R1100, no date available, [online], [site visited Aug. 28, 2020]. Retrieved from url:https://www.piaget.com/jewelry/piaget-sunlight/rose-gold-diamond-earrings-g38r1100 (Year: 2020).*

(22) Filed: **Jun. 3, 2019**

(30) **Foreign Application Priority Data**

Dec. 4, 2018 (WO) IB970003114

* cited by examiner

(51) **LOC (13) Cl.** **11-01**

Primary Examiner — Wendy L Arminio

(52) **U.S. Cl.** **D11/43**

Assistant Examiner — Tracey J Bell

USPC **D11/43**

(74) *Attorney, Agent, or Firm* — Taft Stettinius & Hollister LLP

(58) **Field of Classification Search**

USPC ... D11/1, 2, 7, 8, 16, 17, 40-45, 63, 79, 80,
D11/84, 87, 88, 91, 92, 97, 139, 68, 75,
D11/76, 77, 85, 22, 47, 86; D30/155
CPC A44C 15/005; A44C 15/001; A44C 7/00;
A44C 7/002; A44C 7/003; A44C 7/004;
A44C 7/005; A44C 7/006; A44C 7/007;
A44C 7/008; A44C 7/009; A44C 25/00;
A44C 25/001; A44C 25/002; A44C
25/004; A44C 25/007; A44C 1/00; A44C
15/00

See application file for complete search history.

(57) **CLAIM**

The ornamental design for an earring, as shown and described.

DESCRIPTION

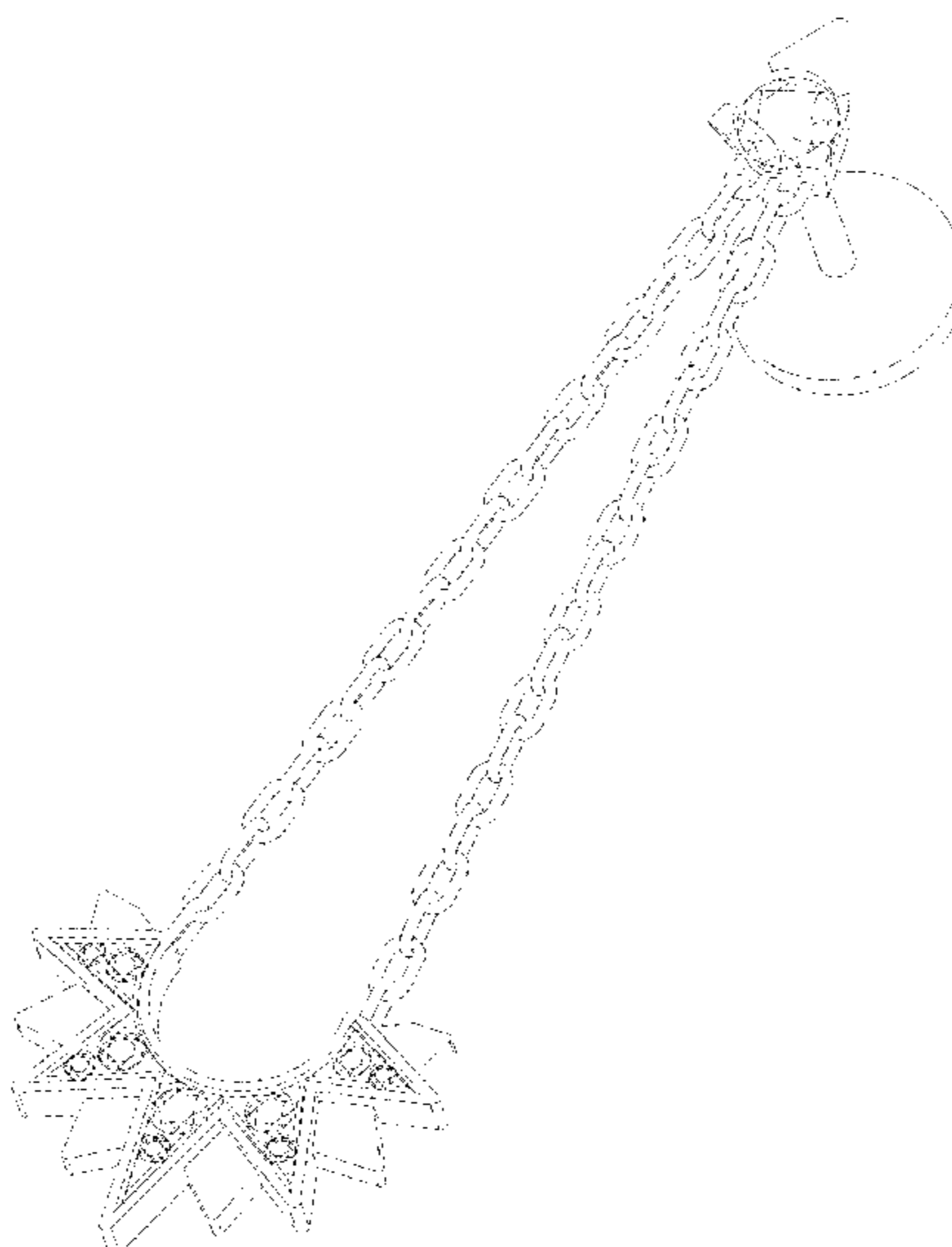
FIG. 1 is a front elevational view of an earring showing my new design;
FIG. 2 is a back elevational view thereof;
FIG. 3 is a right side elevational thereof;
FIG. 4 is a left side elevational view thereof;
FIG. 5 is a bottom plan view thereof;
FIG. 6 is a top plan view thereof;
FIG. 7 is a front, bottom, right side perspective view thereof;
and,
FIG. 8 is a back, bottom, left side perspective view thereof.

(56) **References Cited**

U.S. PATENT DOCUMENTS

D40,987 S * 11/1910 Bigney D11/2
D51,054 S * 7/1917 Blanks D11/97
2,125,362 A * 8/1938 Serihner A44C 15/00
24/3.13

1 Claim, 8 Drawing Sheets



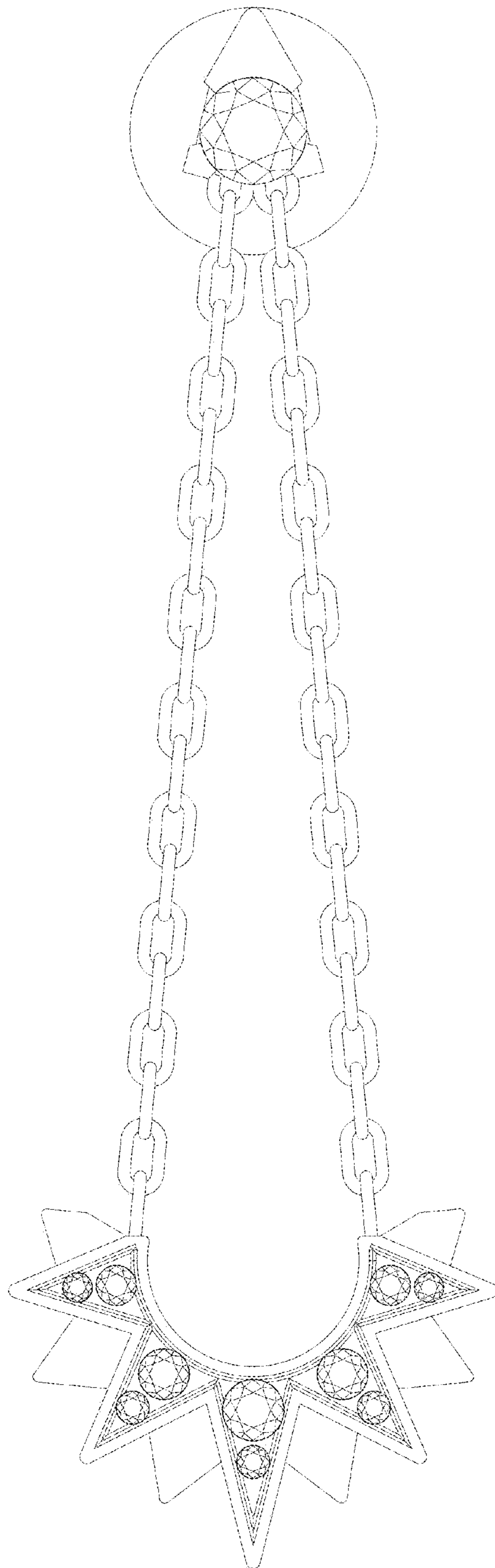


Fig. 1

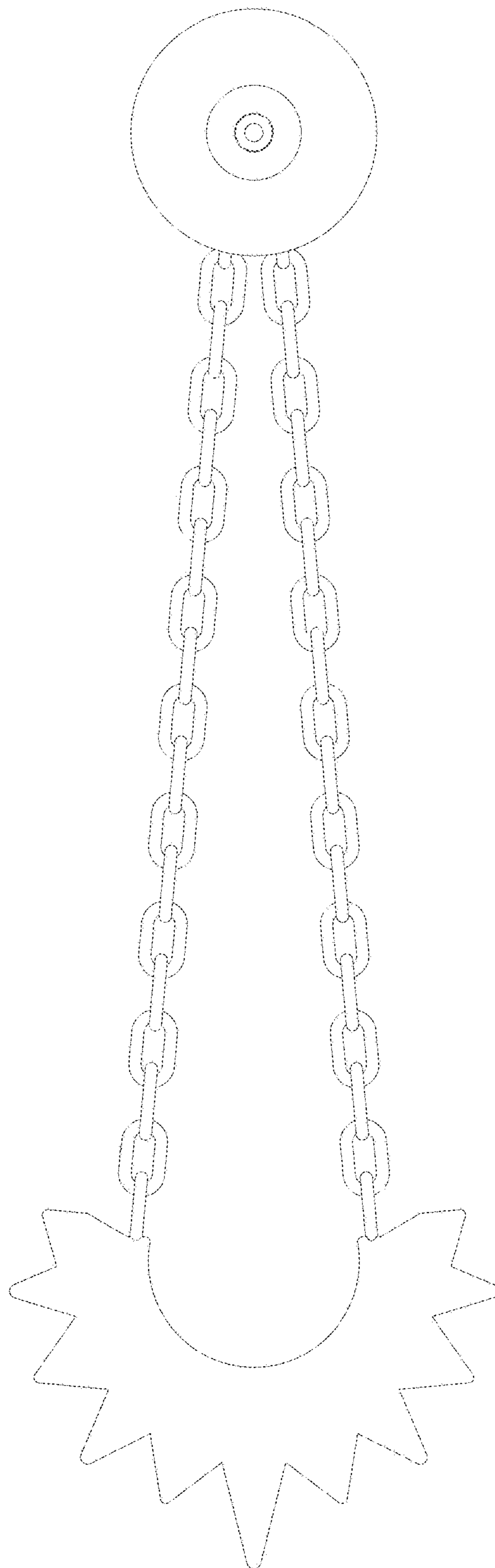


Fig. 2

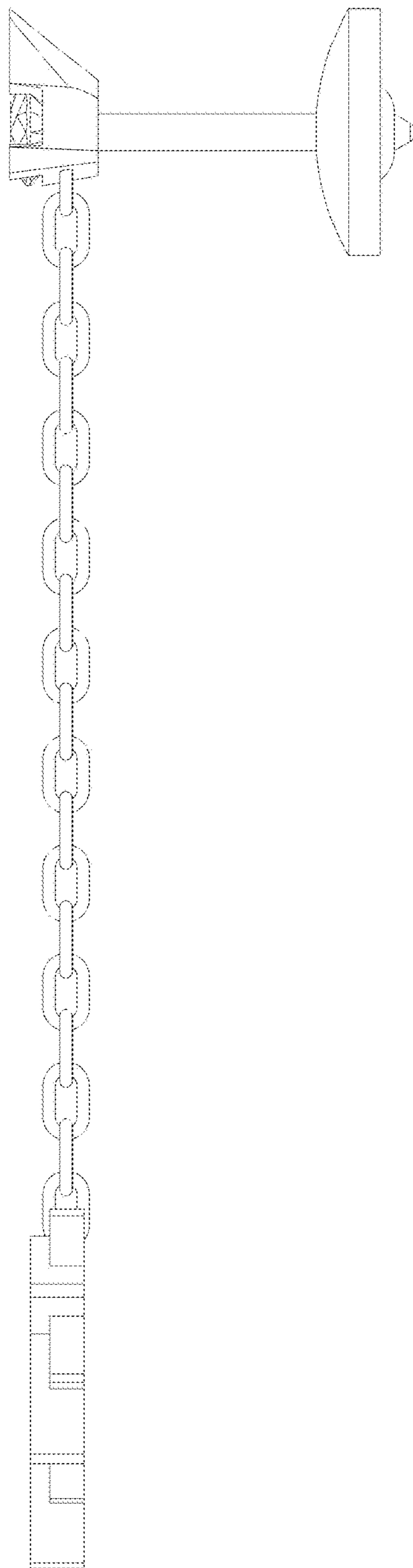


Fig. 3

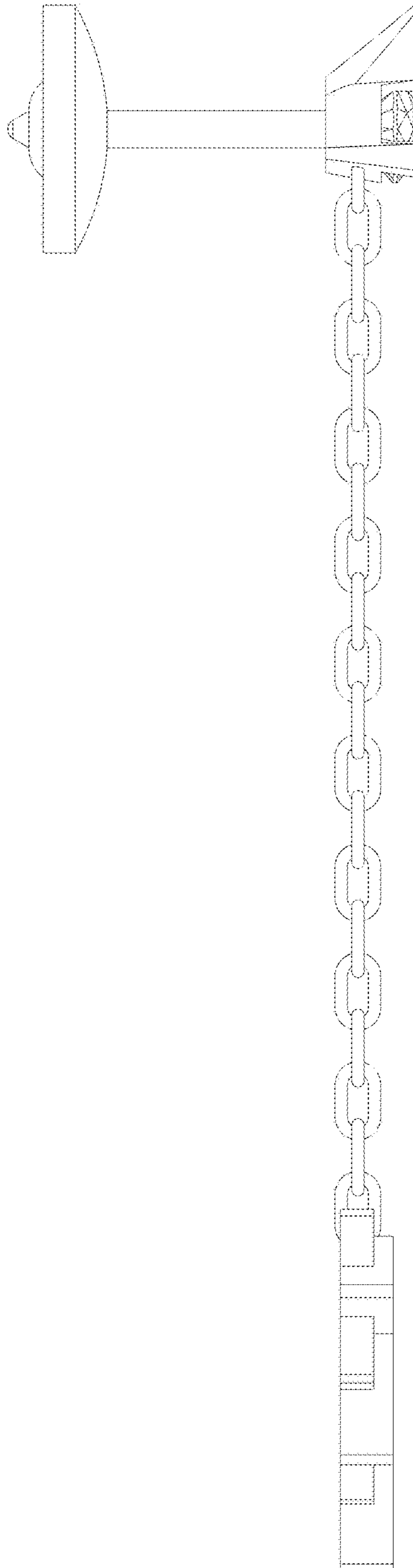


Fig. 4

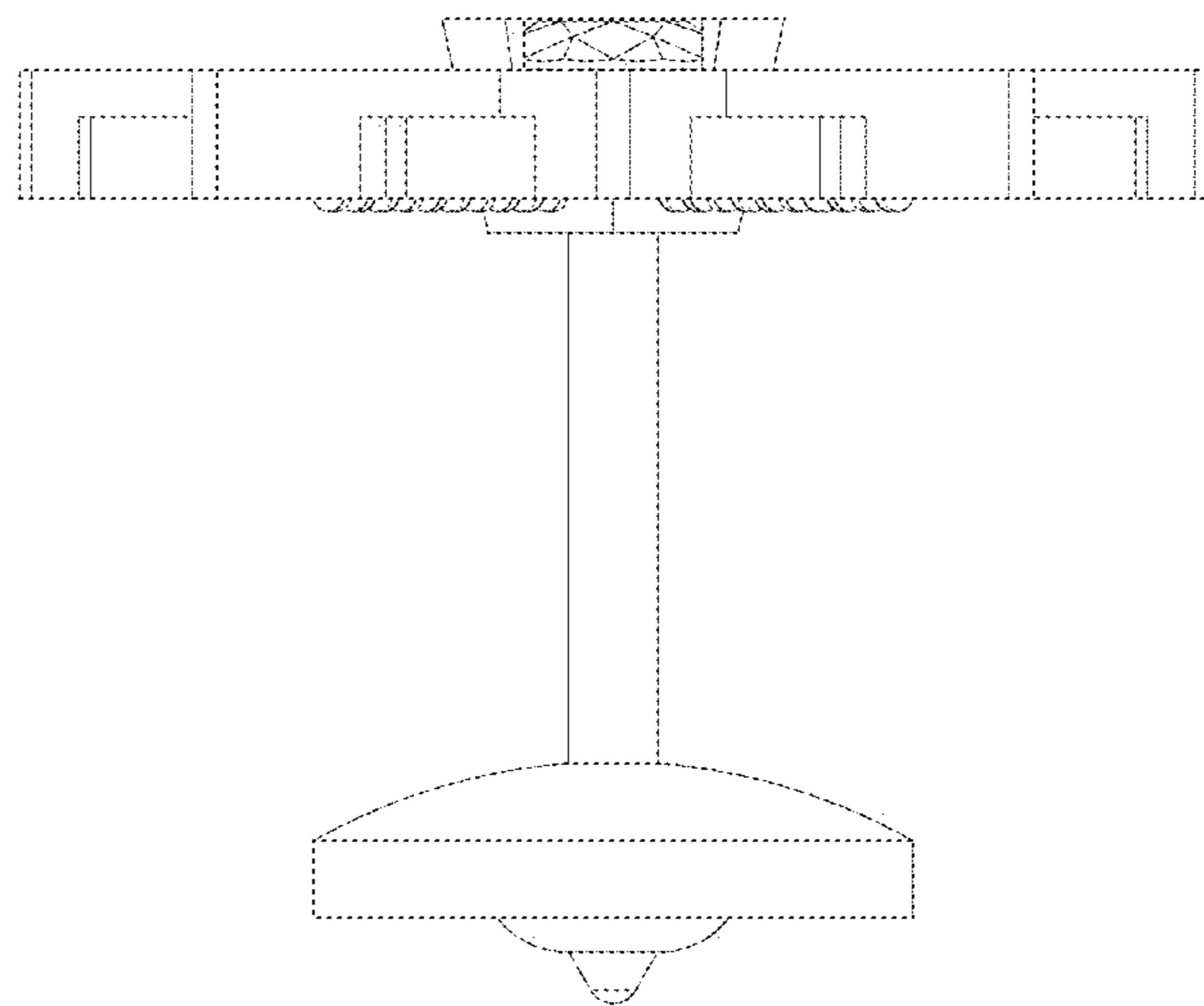


Fig. 5

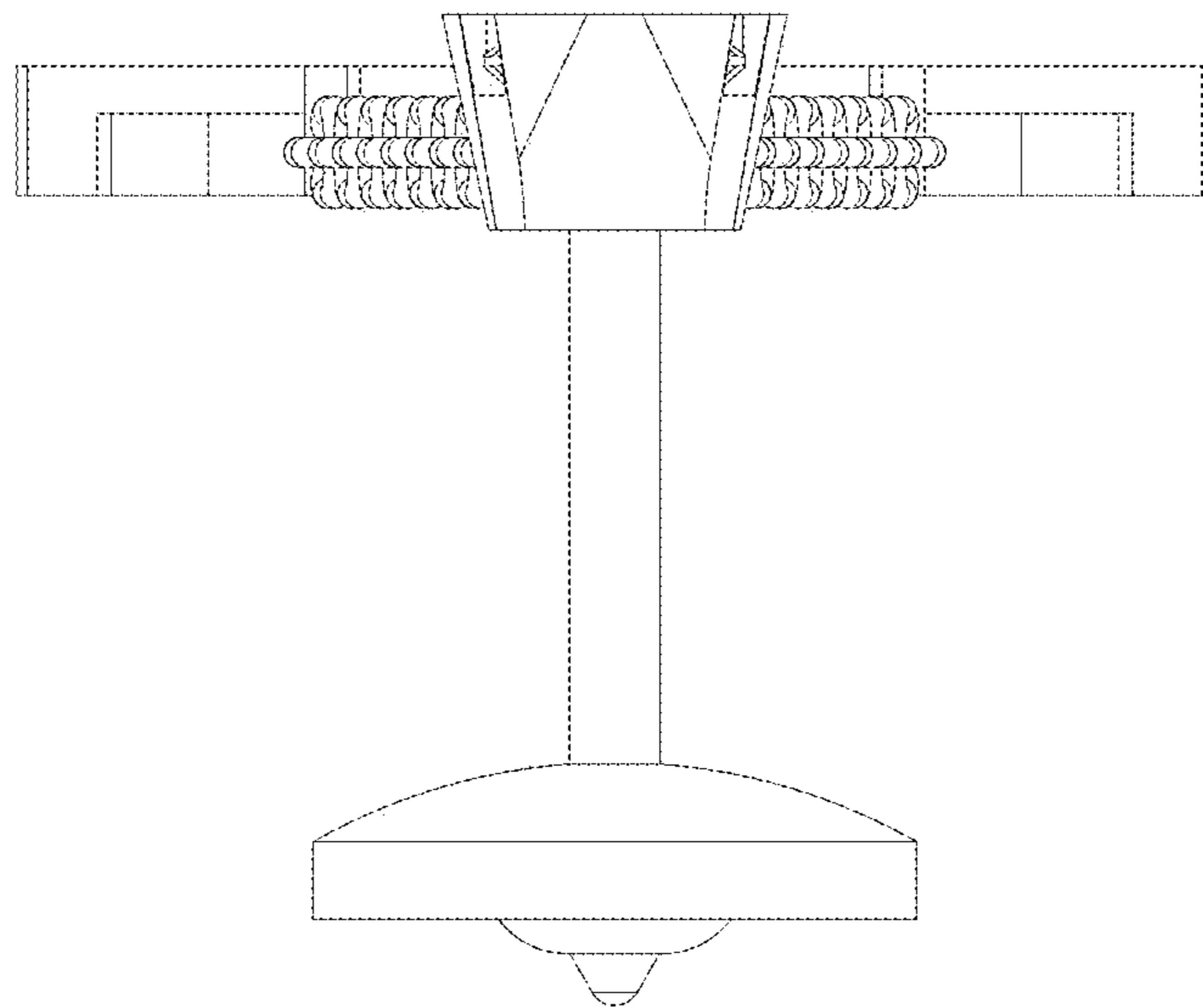


Fig. 6



Fig. 7

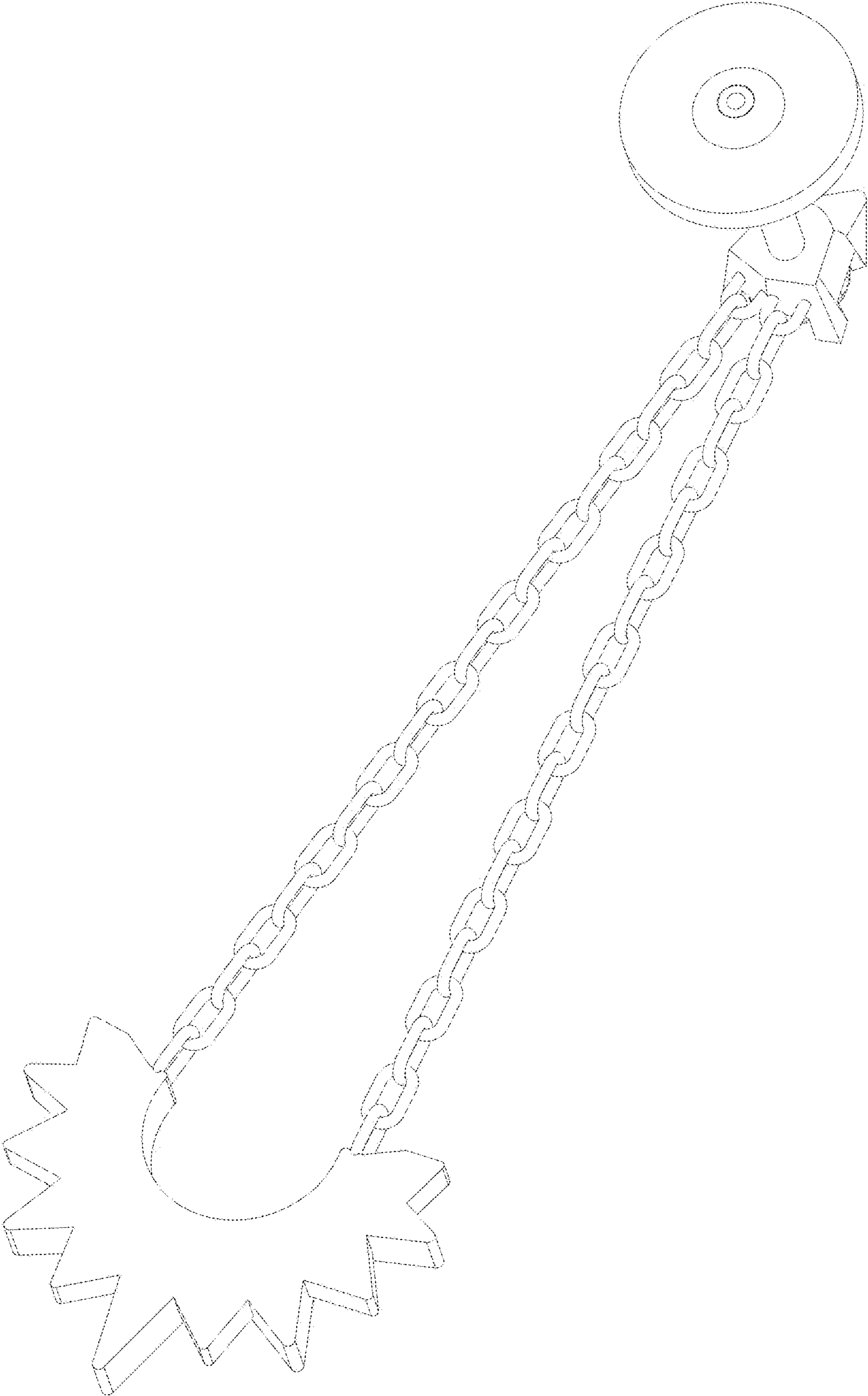


Fig. 8