



US00D914533S

(12) **United States Design Patent** (10) **Patent No.:** **US D914,533 S**
Gurung (45) **Date of Patent:** **** Mar. 30, 2021**

(54) **JEWELLERY**
(71) Applicant: **TASAKI & Co., Ltd.**, Kobe (JP)
(72) Inventor: **Prabal Gurung**, New York, NY (US)
(73) Assignee: **TASAKI & Co., Ltd.**, Kobe (JP)
(**) Term: **15 Years**
(21) Appl. No.: **35/508,119**

D308,838 S * 6/1990 Bulgari D11/42
D851,532 S * 6/2019 Yamada D11/40
D885,239 S * 5/2020 Gurung D11/40
D885,240 S * 5/2020 Gurung D11/42

(22) Filed: **Mar. 15, 2019**

(80) **Hague Agreement Data**

Int. Filing Date: **Mar. 15, 2019**
Int. Reg. No.: **DM/204536**
Int. Reg. Date: **Mar. 15, 2019**
Int. Reg. Pub. Date: **Dec. 13, 2019**

(51) **LOC (13) Cl.** **11-01**
(52) **U.S. Cl.**
USPC **D11/40; D11/79**

(58) **Field of Classification Search**
USPC D11/1, 2, 3, 4, 7, 8, 40-48, 57, 70,
D11/79-86
CPC A44C 1/00; A44C 5/00; A44C 5/0084;
A44C 5/02; A44C 5/022; A44C 5/025;
A44C 5/027; A44C 7/00; A44C 7/002;
A44C 7/003; A44C 7/004; A44C 7/005;
A44C 7/006; A44C 7/007; A44C 7/008;
A44C 7/009; A44C 25/00; A44C 25/001;
A44C 25/002; A44C 25/007
See application file for complete search history.

(56) **References Cited**

U.S. PATENT DOCUMENTS

D237,732 S * 11/1975 Roberts D11/79
D282,829 S * 3/1986 Bulgari D11/40

OTHER PUBLICATIONS

[Online] "Buoy" https://www.tasaki-global.com/jewellery/atelier/tasaki_atelier/buoy/EN-4163-18KWG/?jewellery=earrings. Retrieved Sep. 28, 2020.*

* cited by examiner

Primary Examiner — Melanie Pellegrini

(74) *Attorney, Agent, or Firm* — Rankin, Hill & Clark LLP

(57) **CLAIM**

The ornamental design for jewellery, as shown and described.

DESCRIPTION

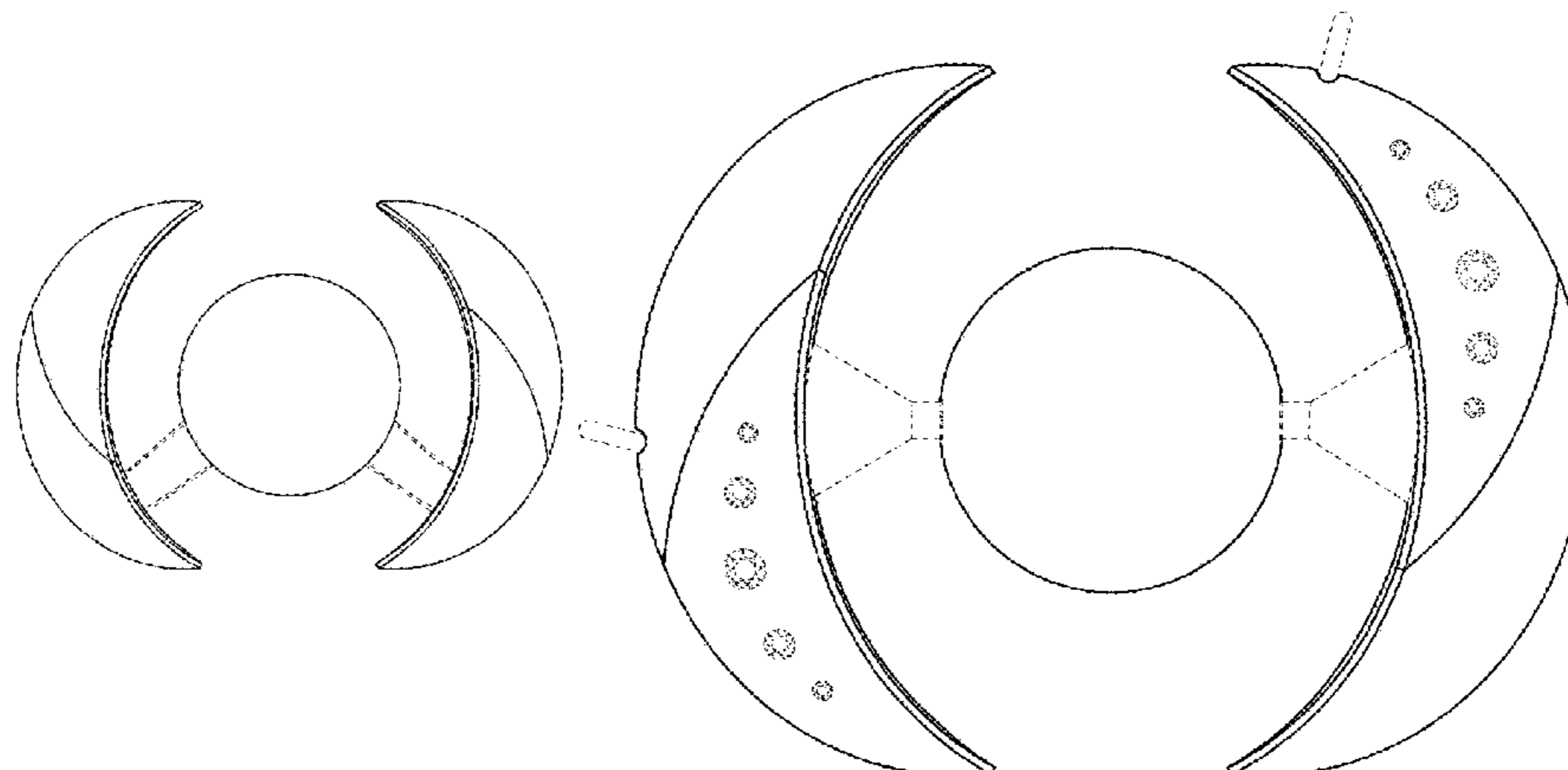
- 1.-2. Jewellery
- 1.2 : Front
- 1.3 : Top
- 1.4 : Bottom
- 1.5 : Back
- 1.6 : Right
- 1.7 : Left
- 1.8 : Reference
- 2.1 : Perspective
- 2.2: Front
- 2.3: Top
- 2.4: Bottom
- 2.5: Back
- 2.6: Right
- 2.7: Left
- 2.8 : Reference

The parts shown in broken lines form no part of the claimed design.

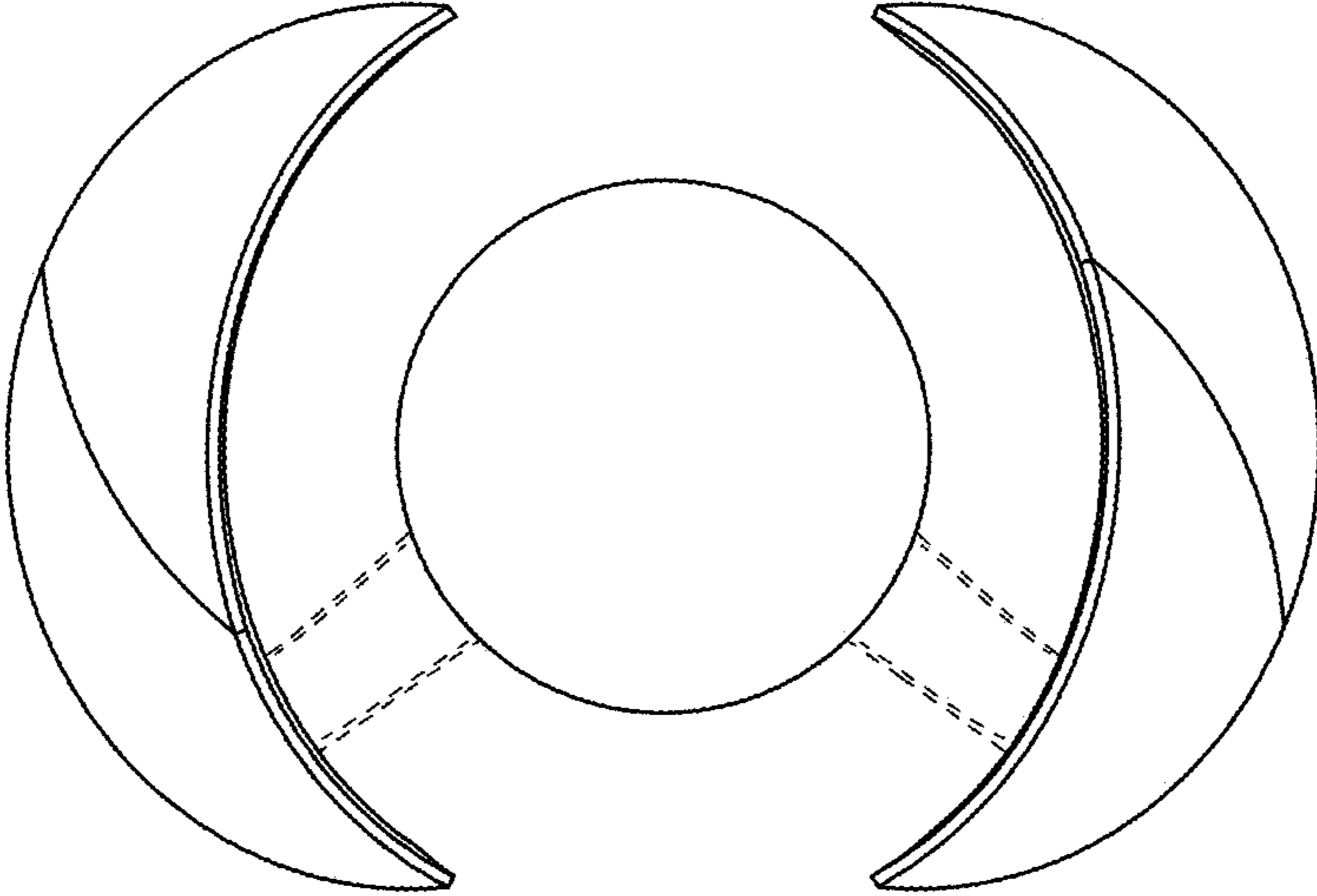
1 Claim, 15 Drawing Sheets

Front

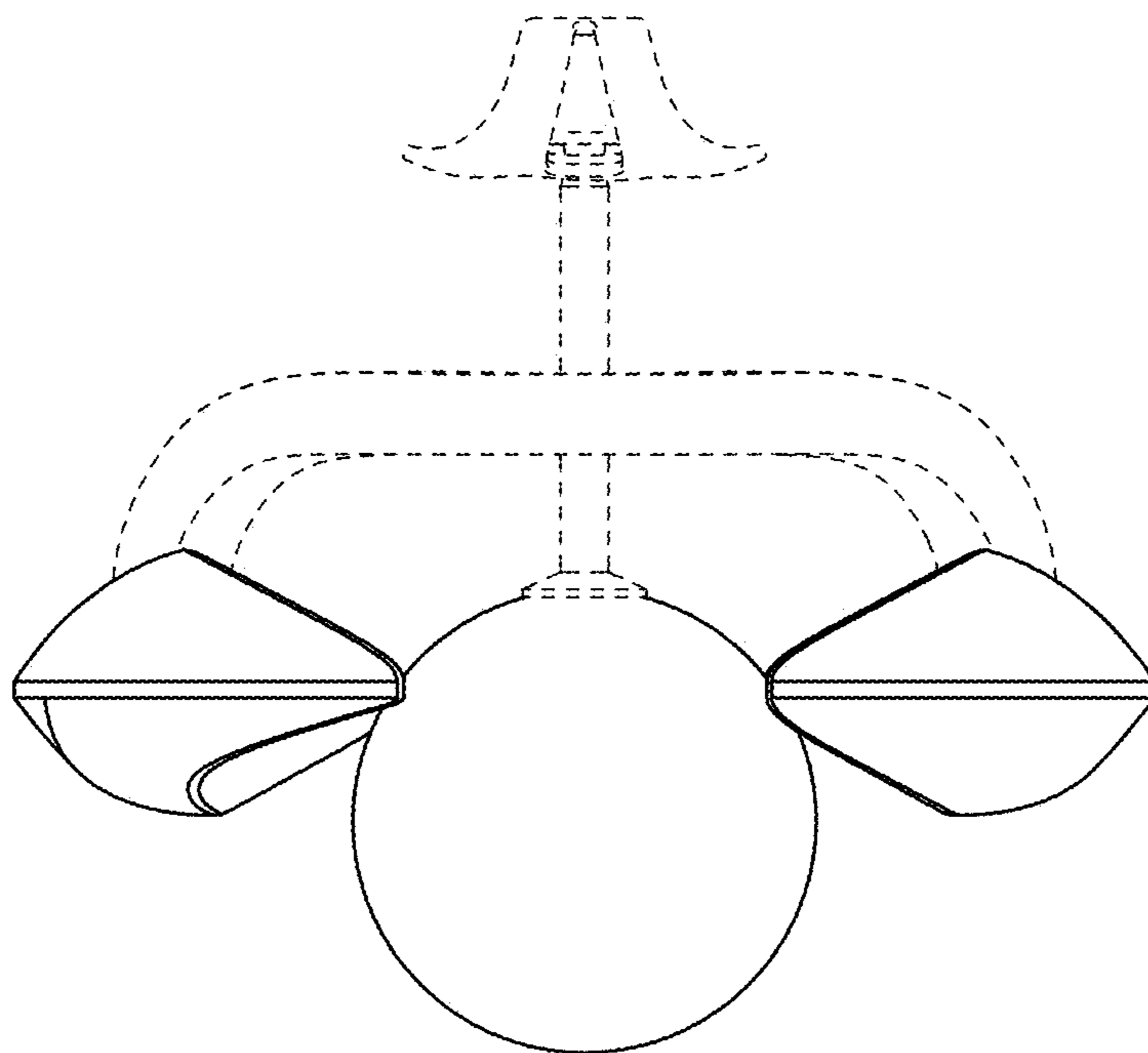
Front



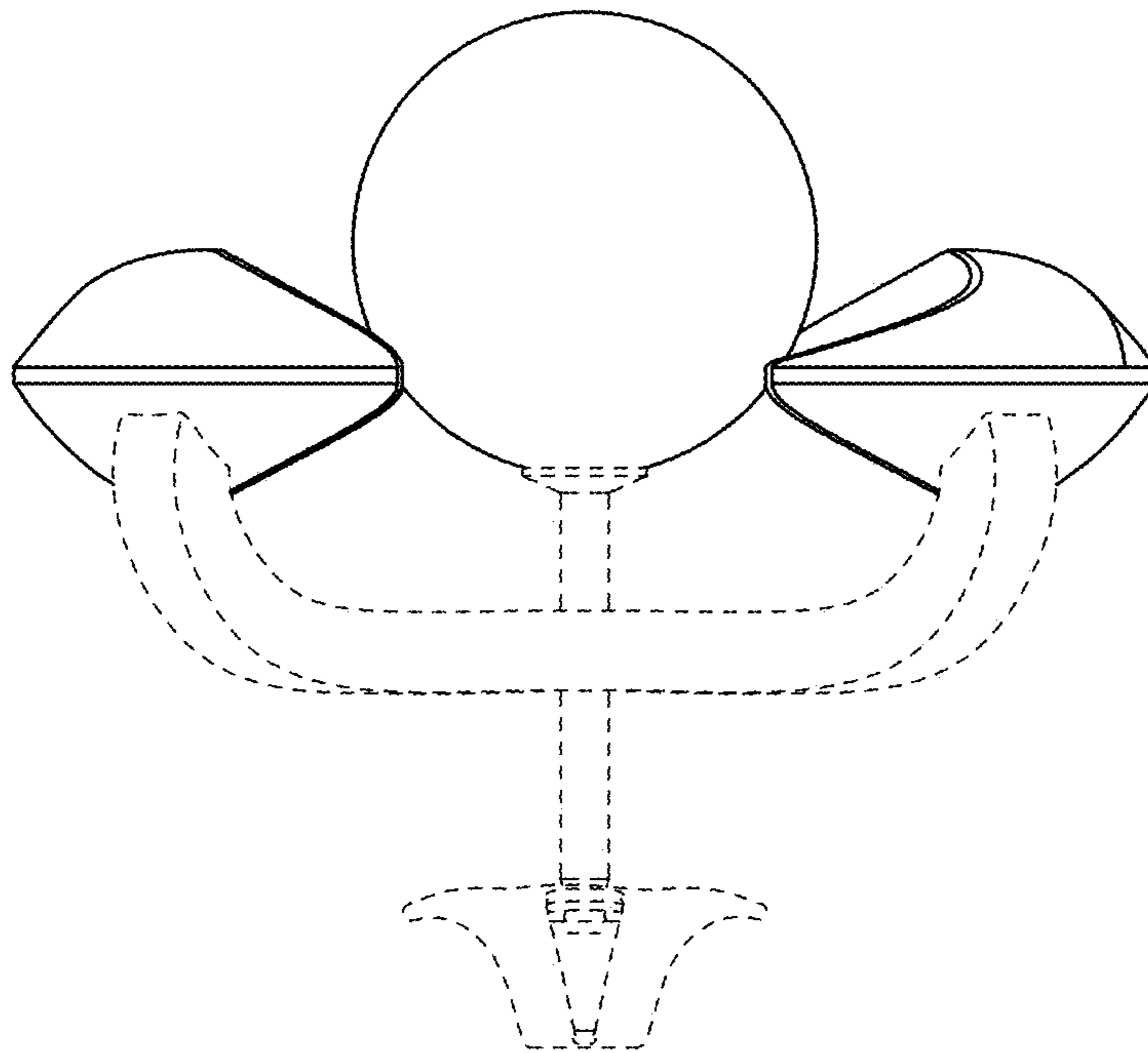
1.2
Front



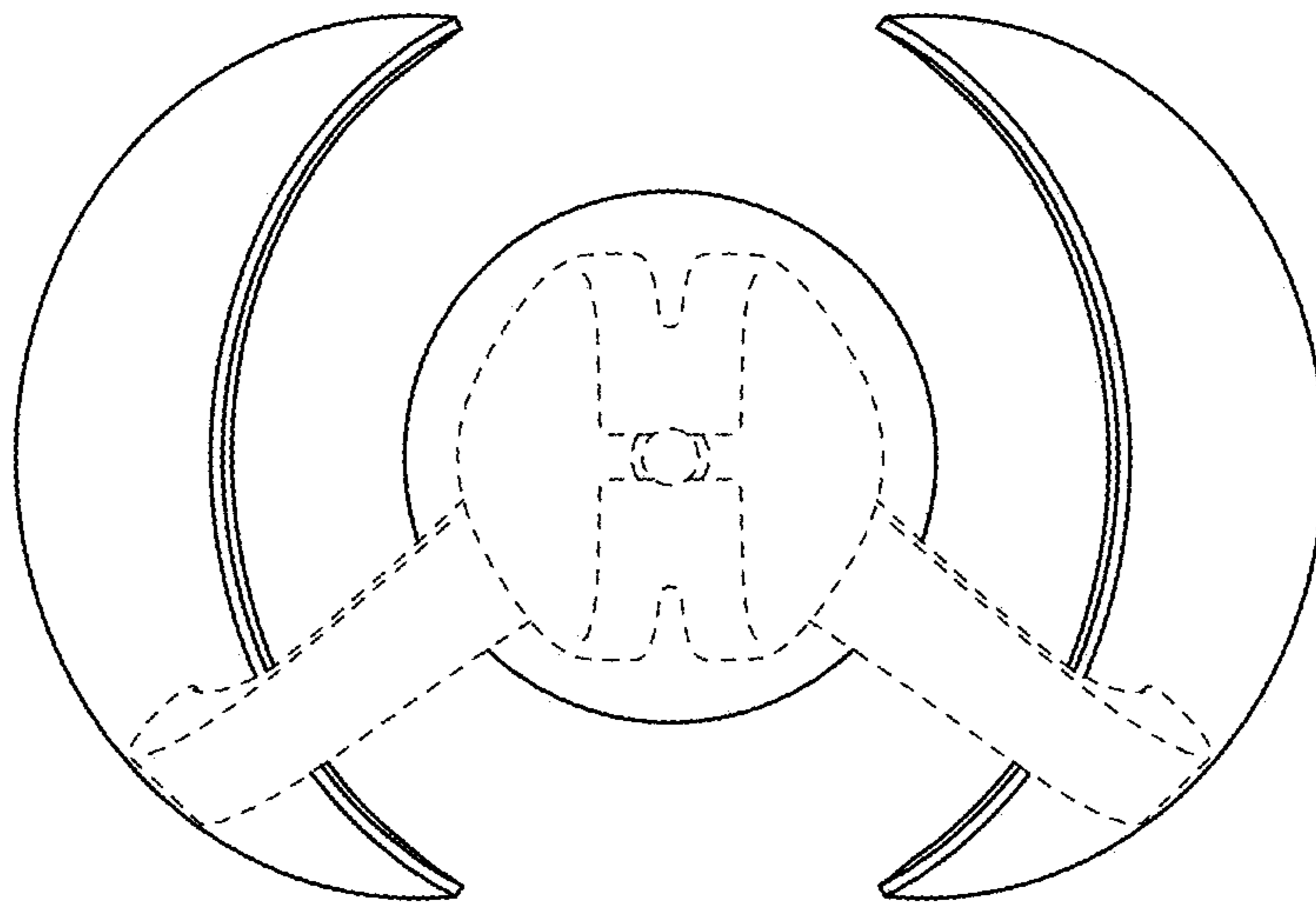
1.3
Top



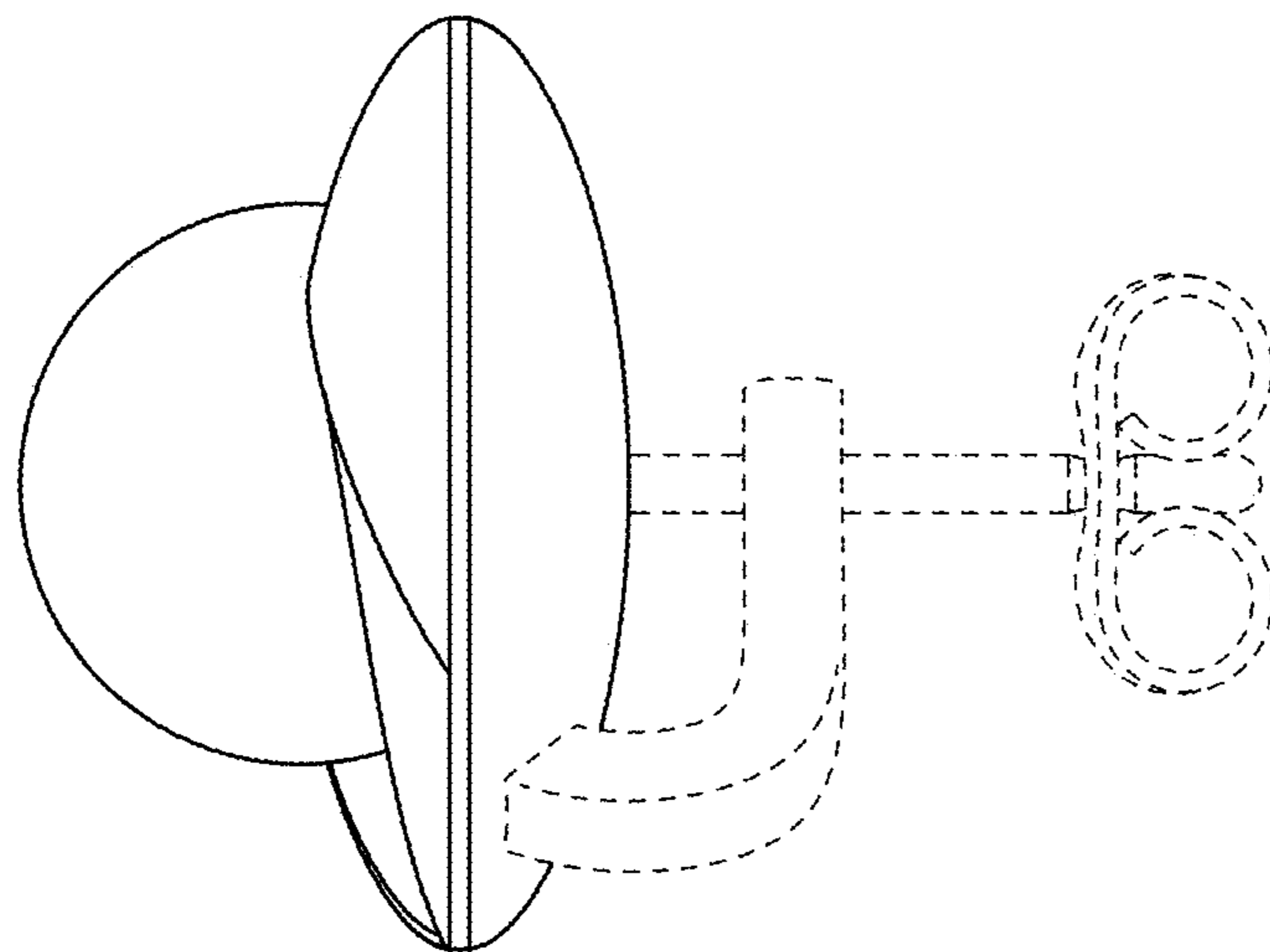
1.4
Bottom



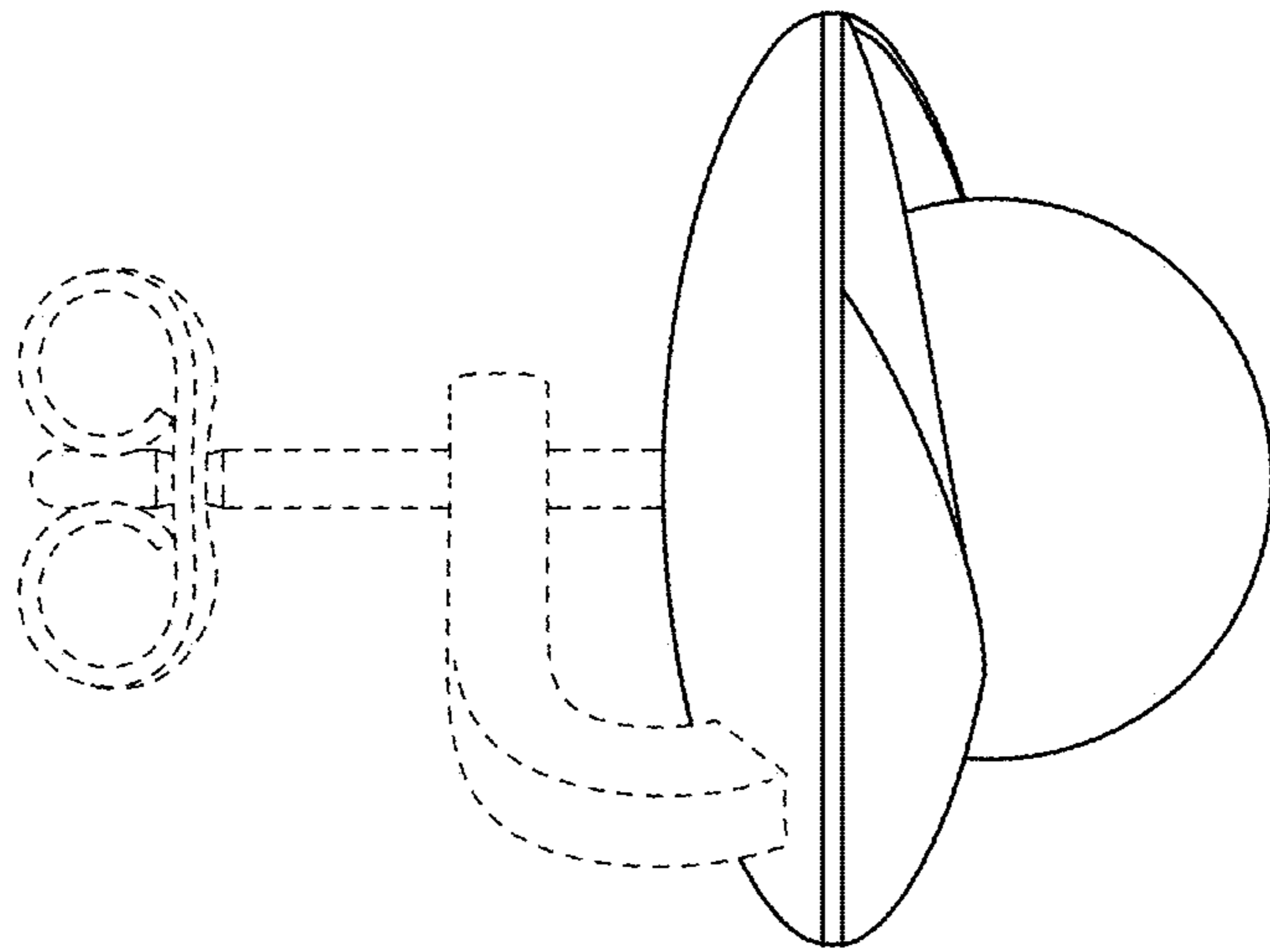
1.5
Back



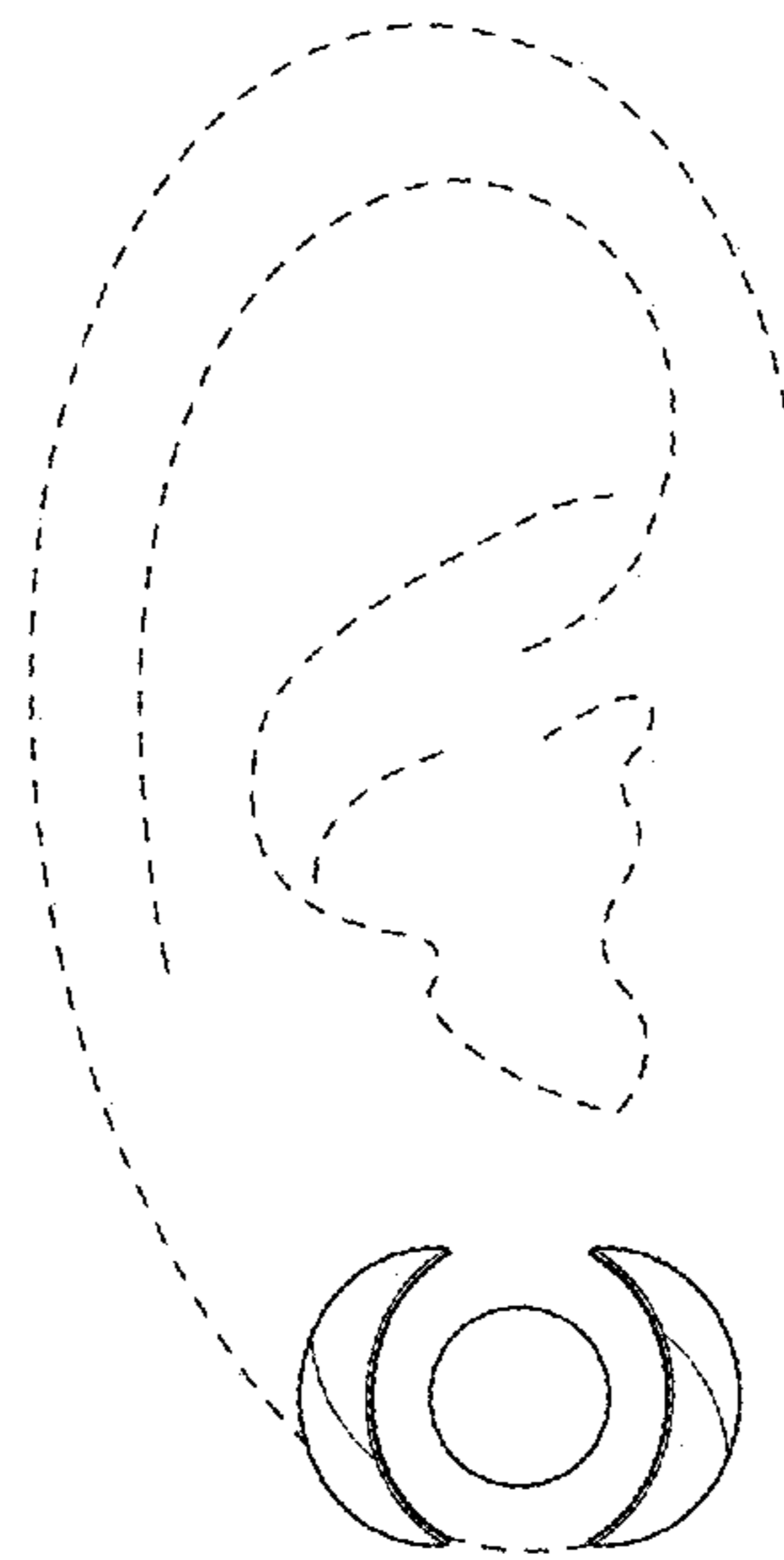
1.6
Right



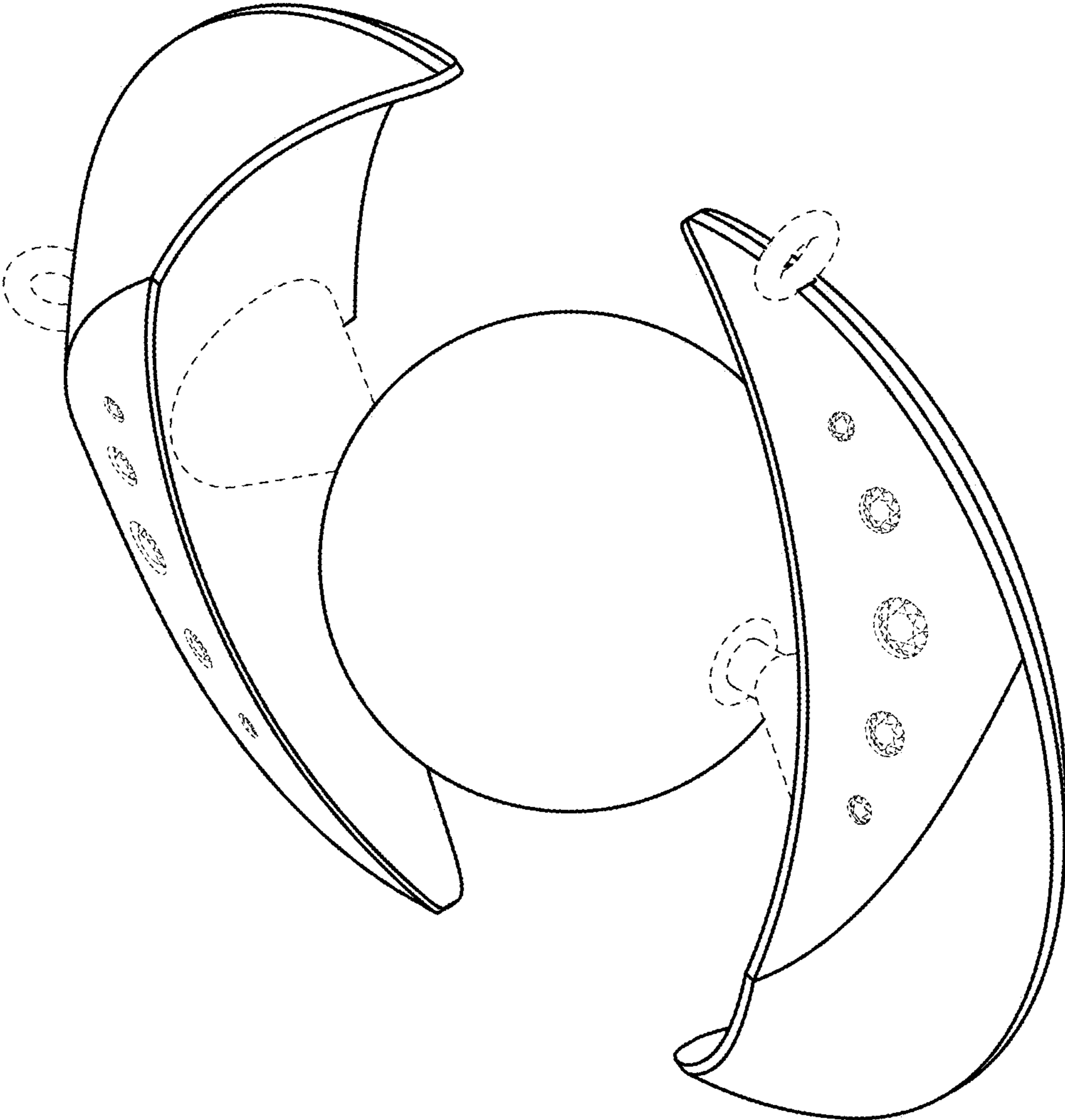
1.7
Left



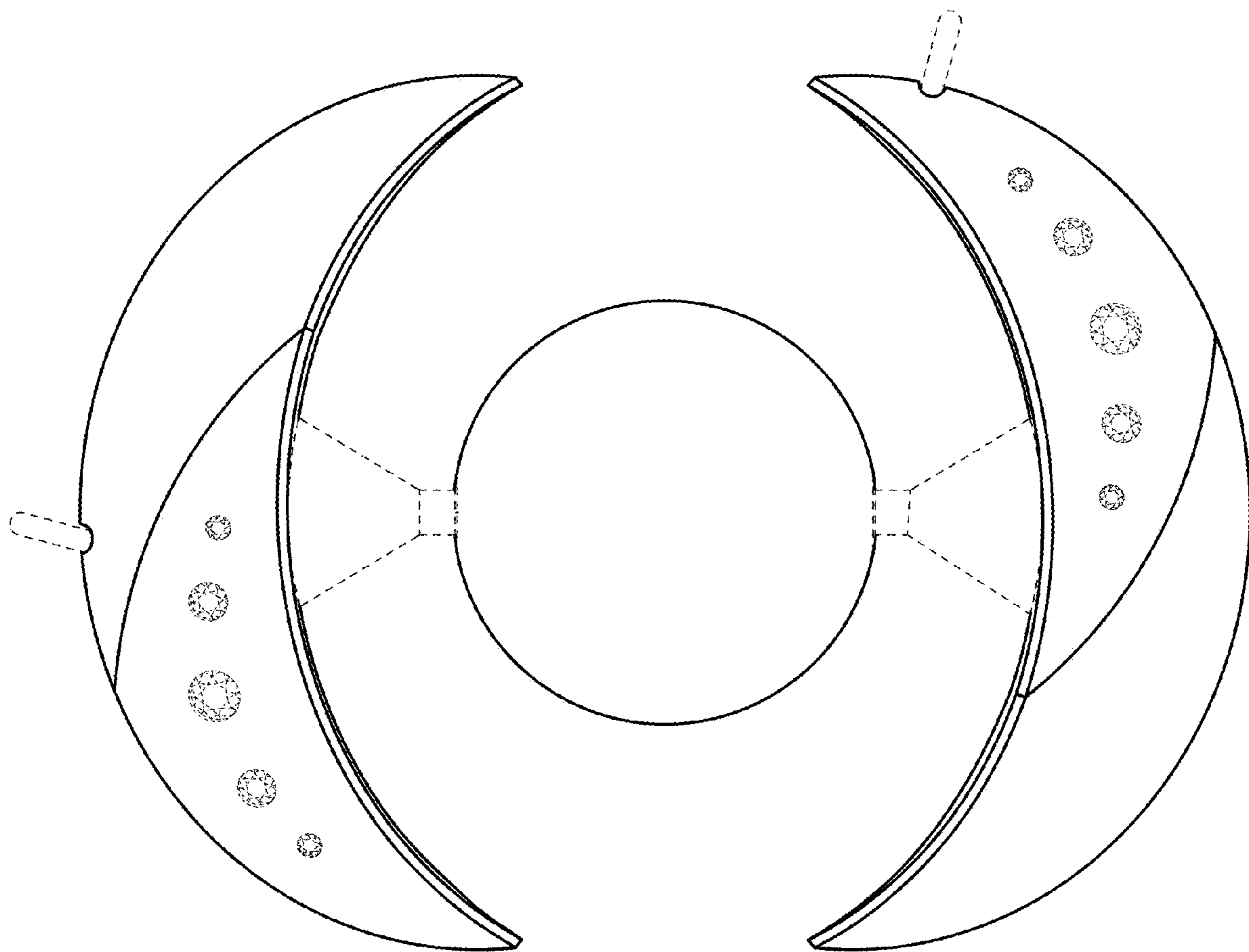
1.8
Reference



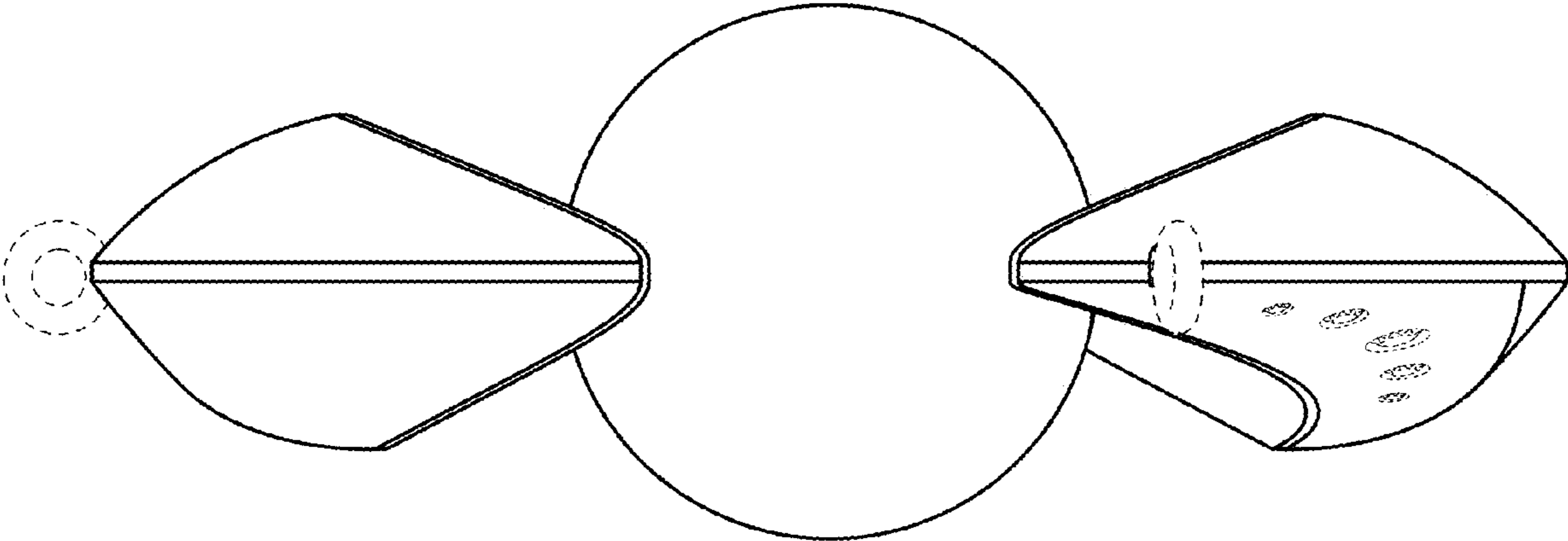
2.1
Perspective



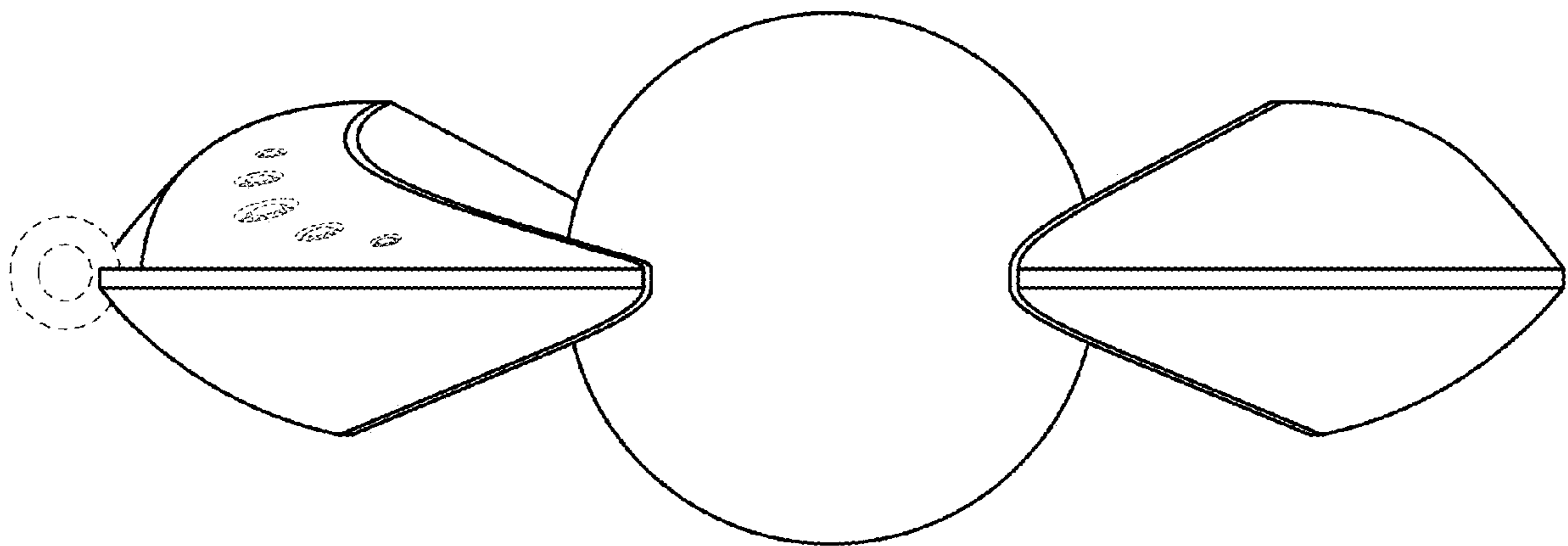
2.2
Front



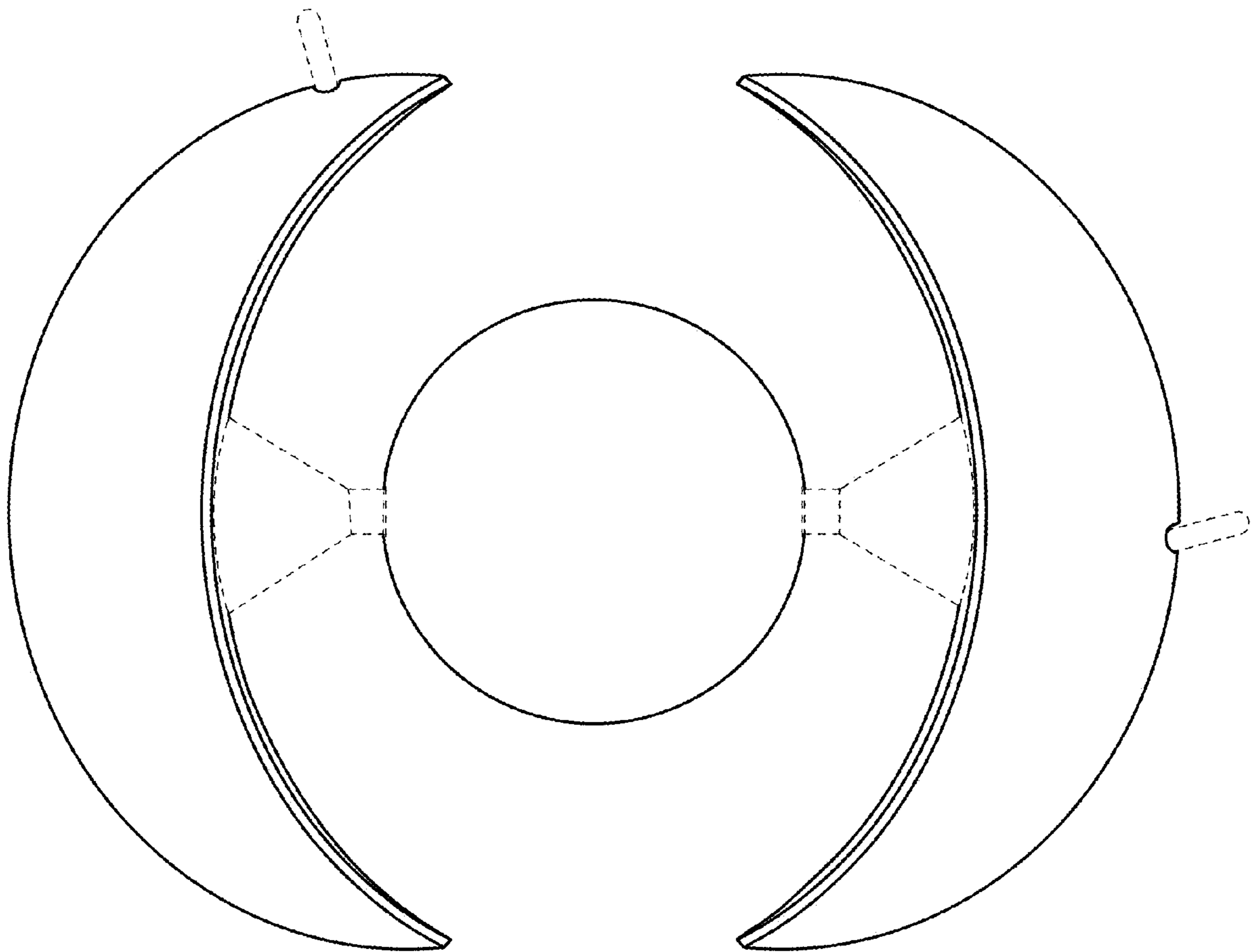
2.3
Top



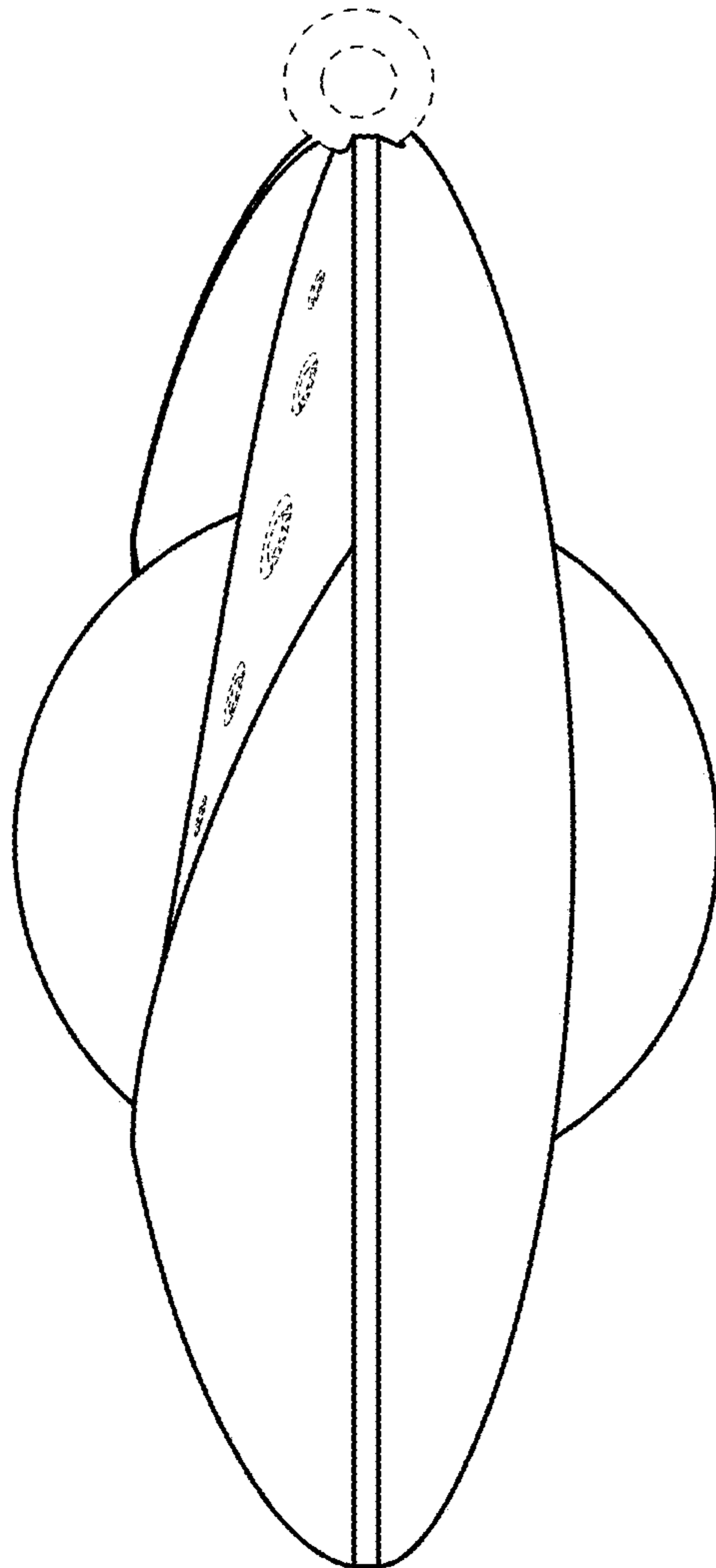
2.4
Bottom



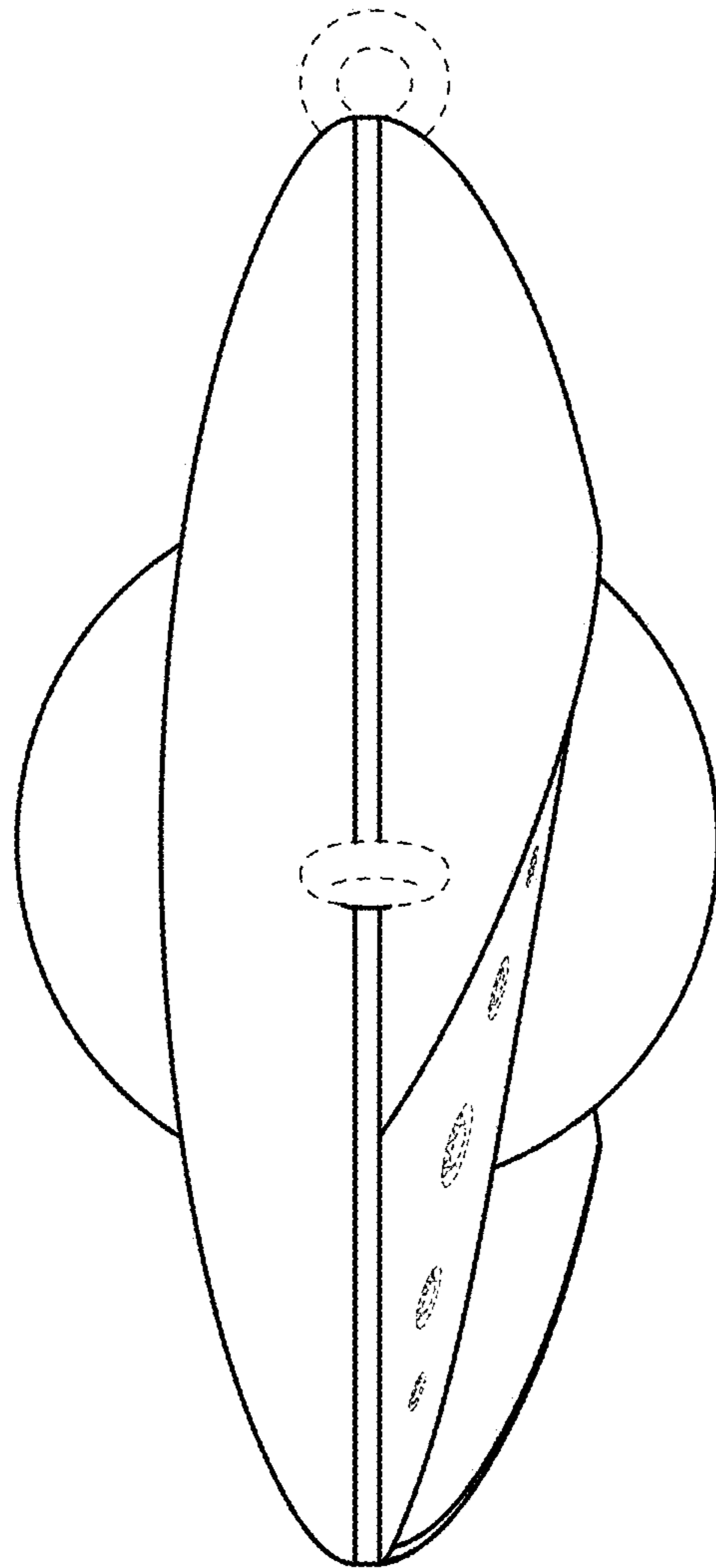
2.5
Back



2.6
Right



2.7
Left



2.8
Reference

