



US00D914532S

(12) **United States Design Patent** (10) **Patent No.:** **US D914,532 S**
Yamada (45) **Date of Patent:** **** Mar. 30, 2021**

(54) **JEWELLERY**

(71) Applicant: **TASAKI & Co., Ltd.**, Kobe (JP)

(72) Inventor: **Yoshikazu Yamada**, Tokyo (JP)

(73) Assignee: **TASAKI & Co., Ltd.**, Kobe (JP)

(**) Term: **15 Years**

(21) Appl. No.: **35/508,017**

(22) Filed: **Jun. 4, 2019**

(80) **Hague Agreement Data**

Int. Filing Date: **Jun. 4, 2019**

Int. Reg. No.: **DM/204281**

Int. Reg. Date: **Jun. 4, 2019**

Int. Reg. Pub. Date: **Dec. 6, 2019**

(51) **LOC (13) Cl.** **11-01**

(52) **U.S. Cl.**
USPC **D11/40**

(58) **Field of Classification Search**

USPC D11/1, 2, 3, 4, 26-48, 79-86

CPC A44C 1/00; A44C 5/00; A44C 5/0084;
A44C 5/02; A44C 5/022; A44C 5/025;
A44C 5/027; A44C 7/00; A44C 7/002;
A44C 7/003; A44C 7/004; A44C 7/005;
A44C 7/006; A44C 7/007; A44C 7/008;
A44C 7/009; A44C 9/00; A44C 9/0007;
A44C 9/0015; A44C 9/0023; A44C
9/003; A44C 9/0038; A44C 9/0046; A44C
9/0053; A44C 9/0061; A44C 9/0069;
A44C 9/0076; A44C 9/0092; A44C 9/02;
A44C 25/00; A44C 25/001; A44C
25/002; A44C 25/007

See application file for complete search history.

(56) **References Cited**

U.S. PATENT DOCUMENTS

D26,455 S *	12/1896	Mishler et al.	D11/96
D134,023 S *	10/1942	Meyer	D11/40
D252,867 S *	9/1979	Mann	D11/76
D632,603 S *	2/2011	Krakoff	D11/1
D694,666 S *	12/2013	Lawson, III	D11/96
D757,600 S *	5/2016	Wright	D11/96
D872,631 S *	1/2020	Jimenez	D11/81

OTHER PUBLICATIONS

[Online] "Balance Cross" https://www.tasaki-global.com/jewellery/collectionline/balance/balance_cross/E-4227-18KYG/?jewellery=earrings. Retrieved Dec. 16, 2020.*

* cited by examiner

Primary Examiner — Melanie Pellegrini

(74) *Attorney, Agent, or Firm* — Rankin, Hill & Clark LLP

(57) **CLAIM**

The ornamental design for jewellery, as shown and described.

DESCRIPTION

1. Jewellery

1.1 : Perspective

1.2 : Front

1.3 : Back

1.4 : Left

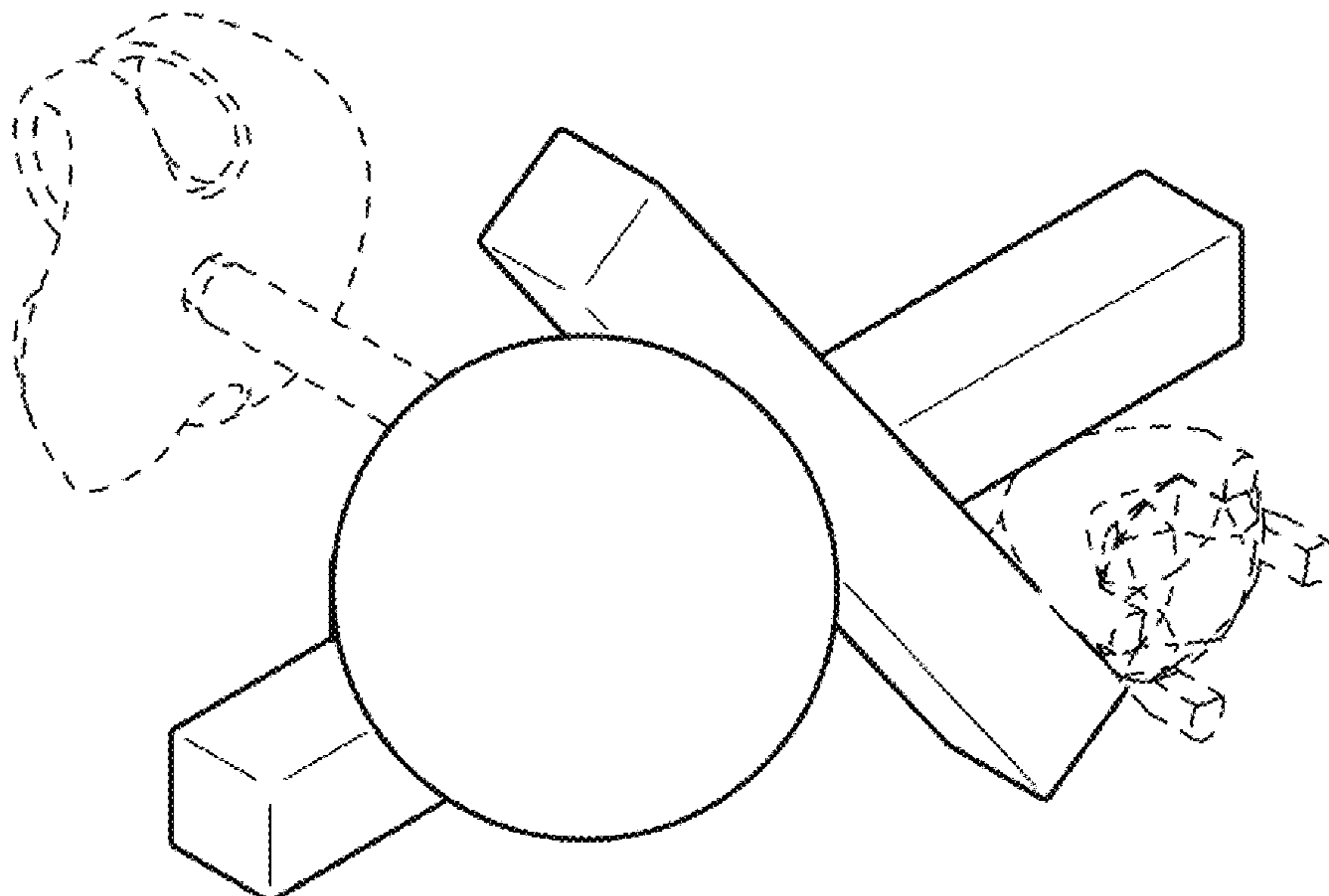
1.5 : Right

1.6 : Bottom

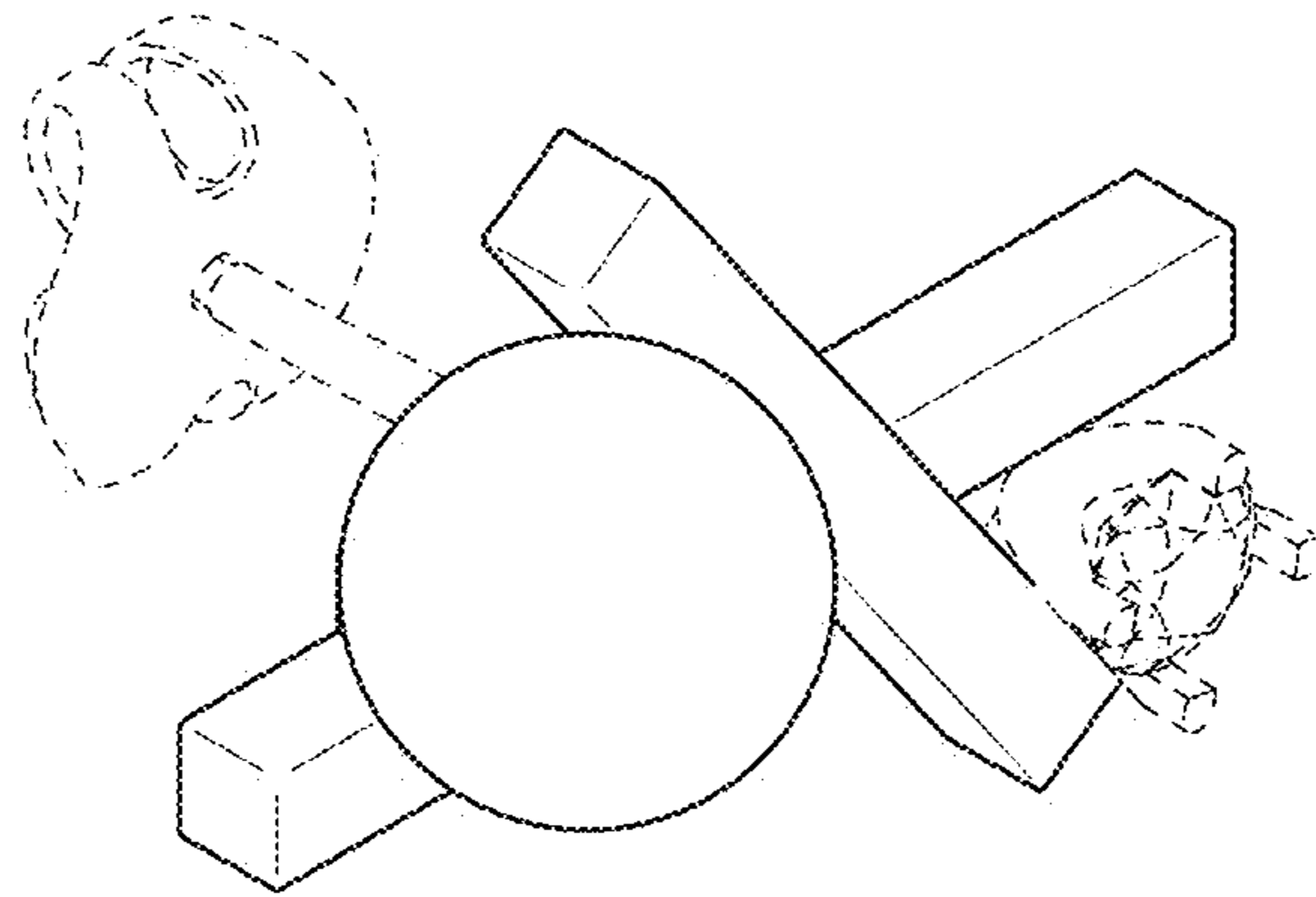
1.7 : Top

Design 1: the parts shown in broken lines form no part of the claimed designs; the thin lines on the articles show a three-dimensional shape of the article surface.

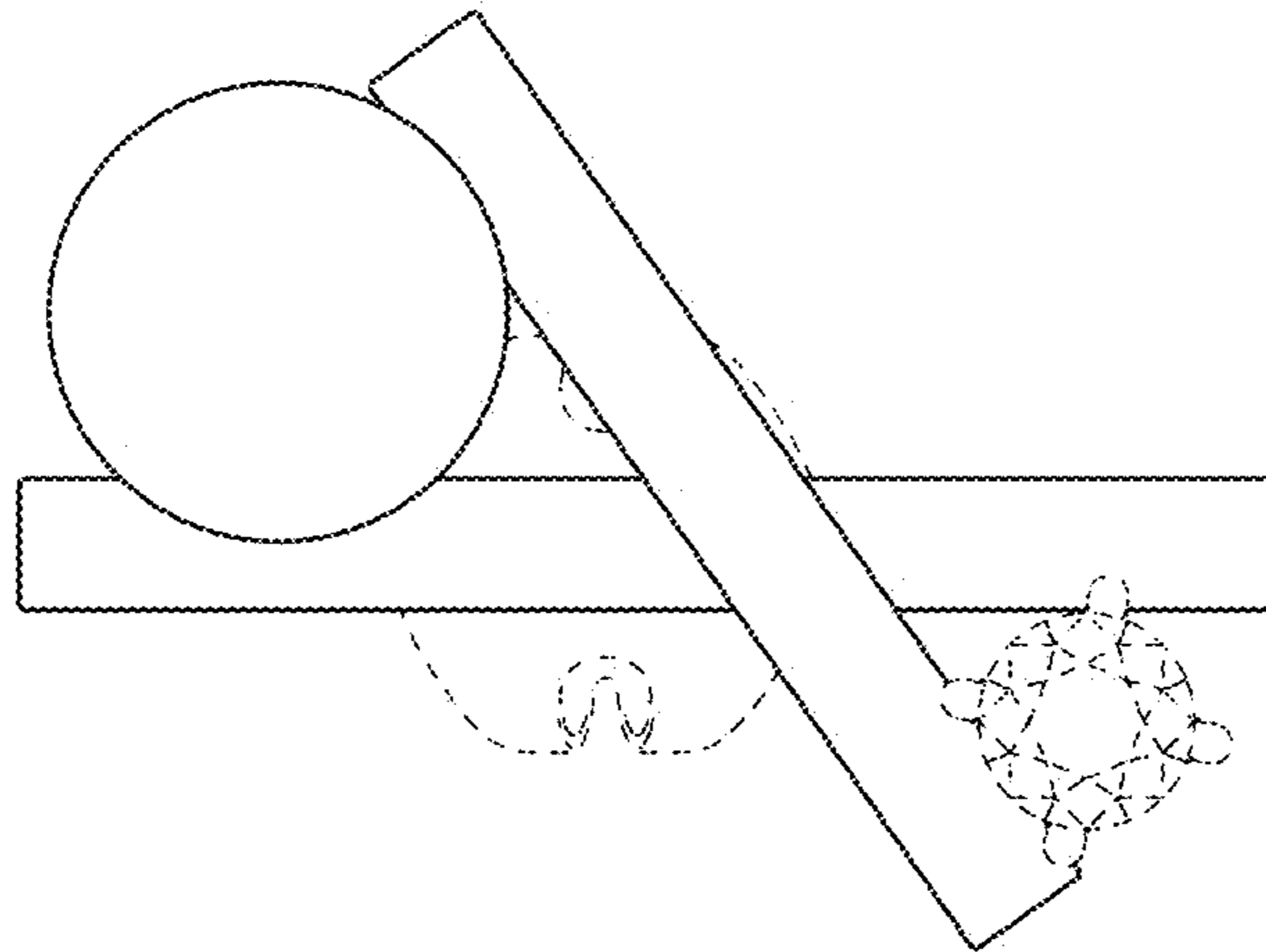
1 Claim, 7 Drawing Sheets



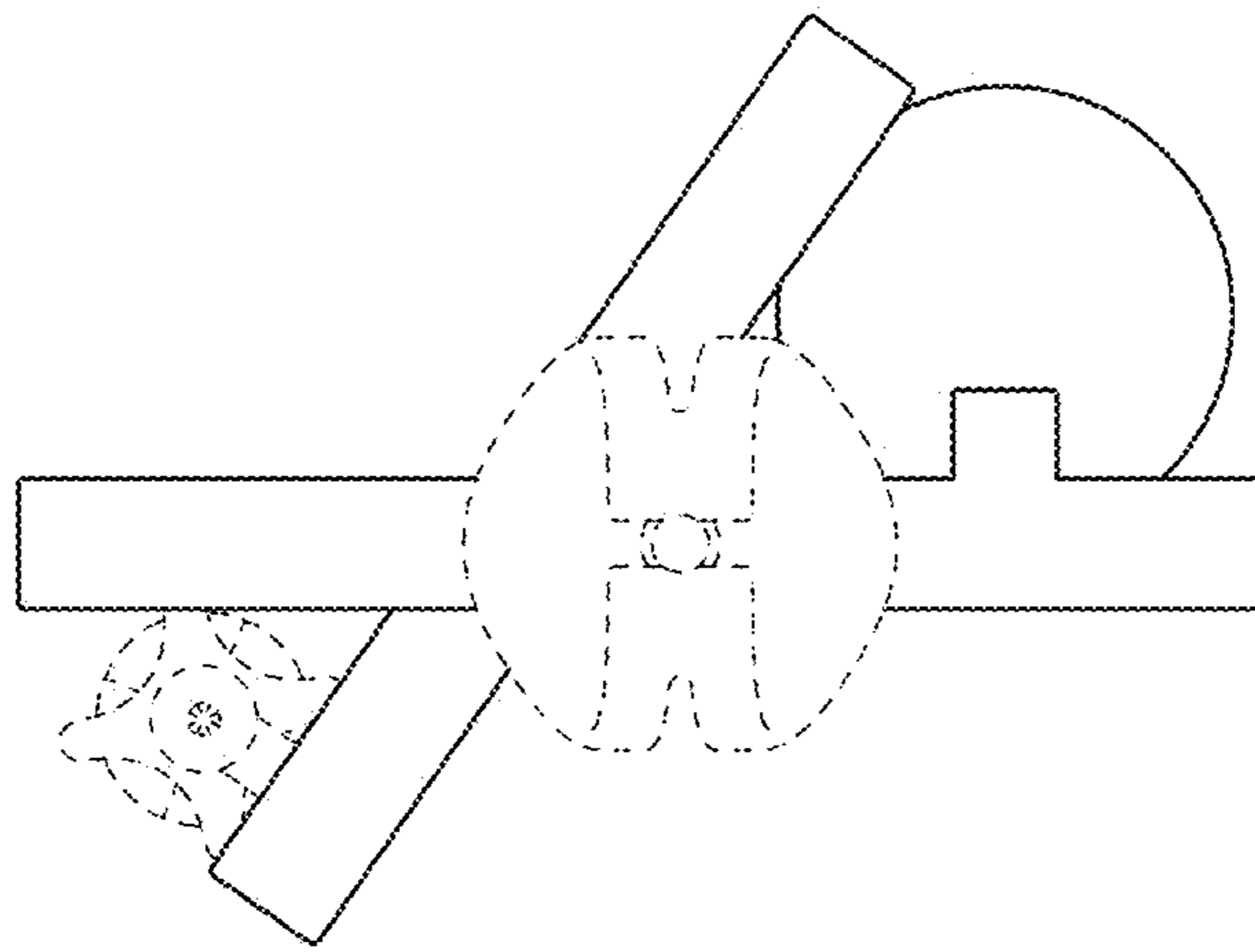
1.1



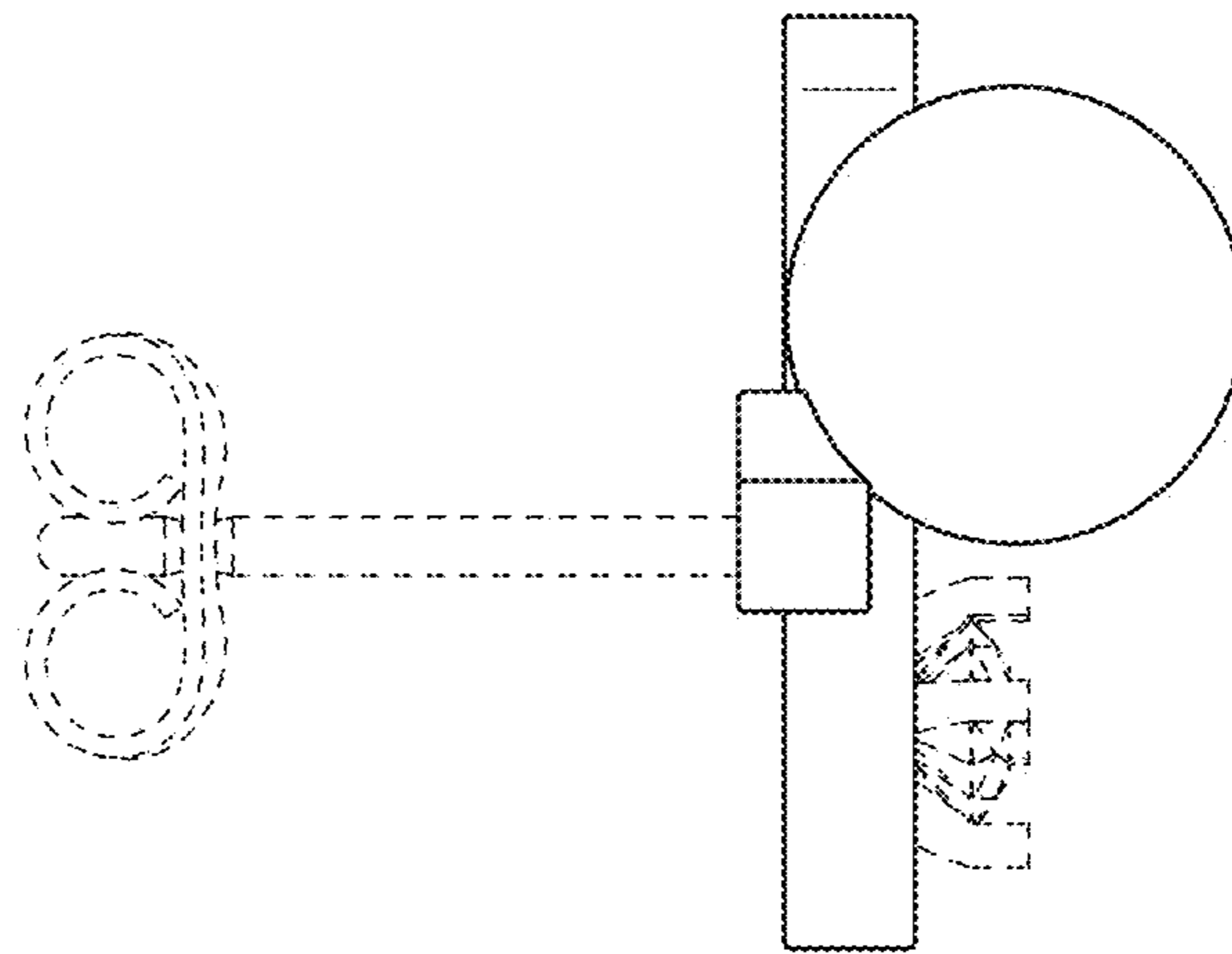
1.2



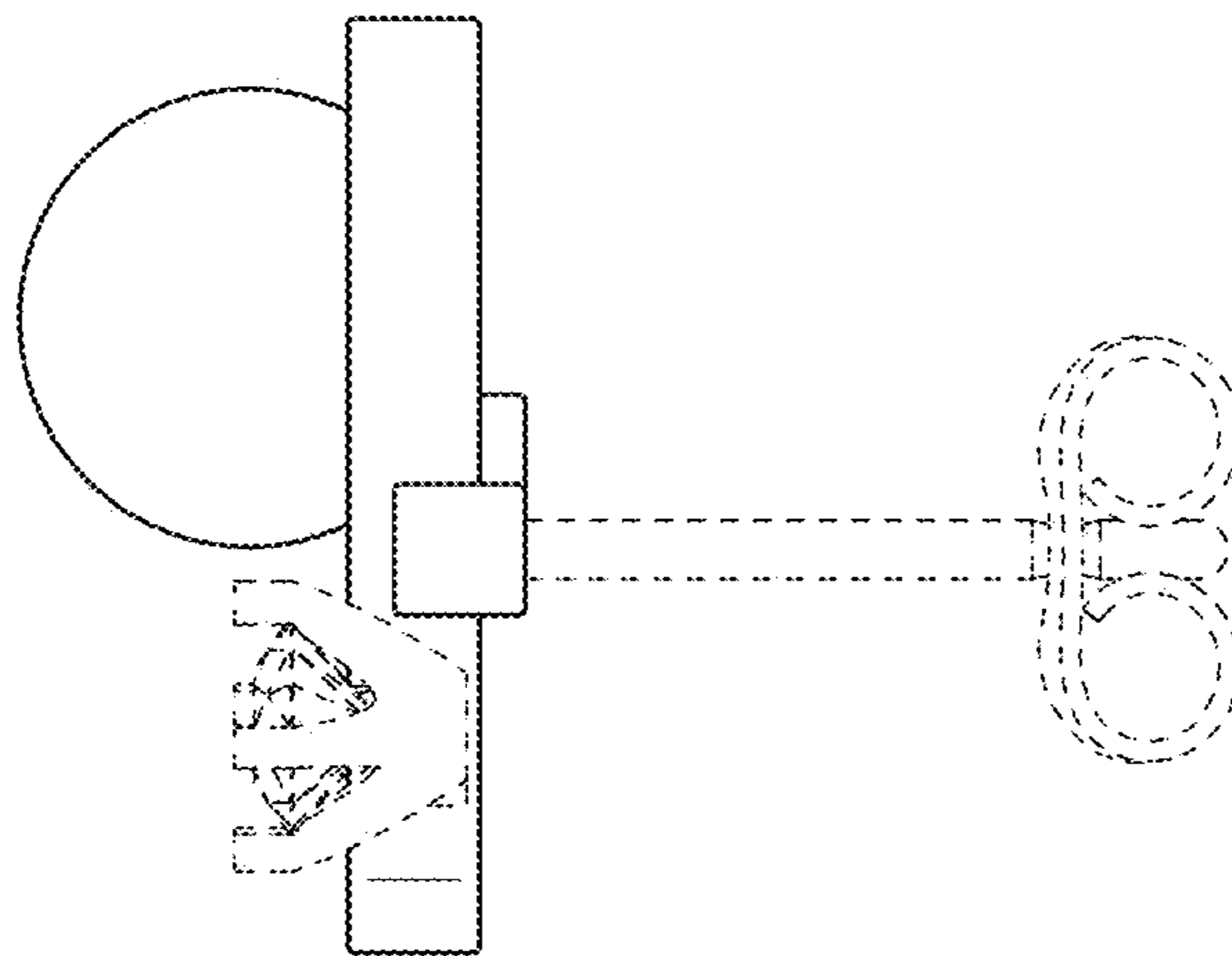
1.3



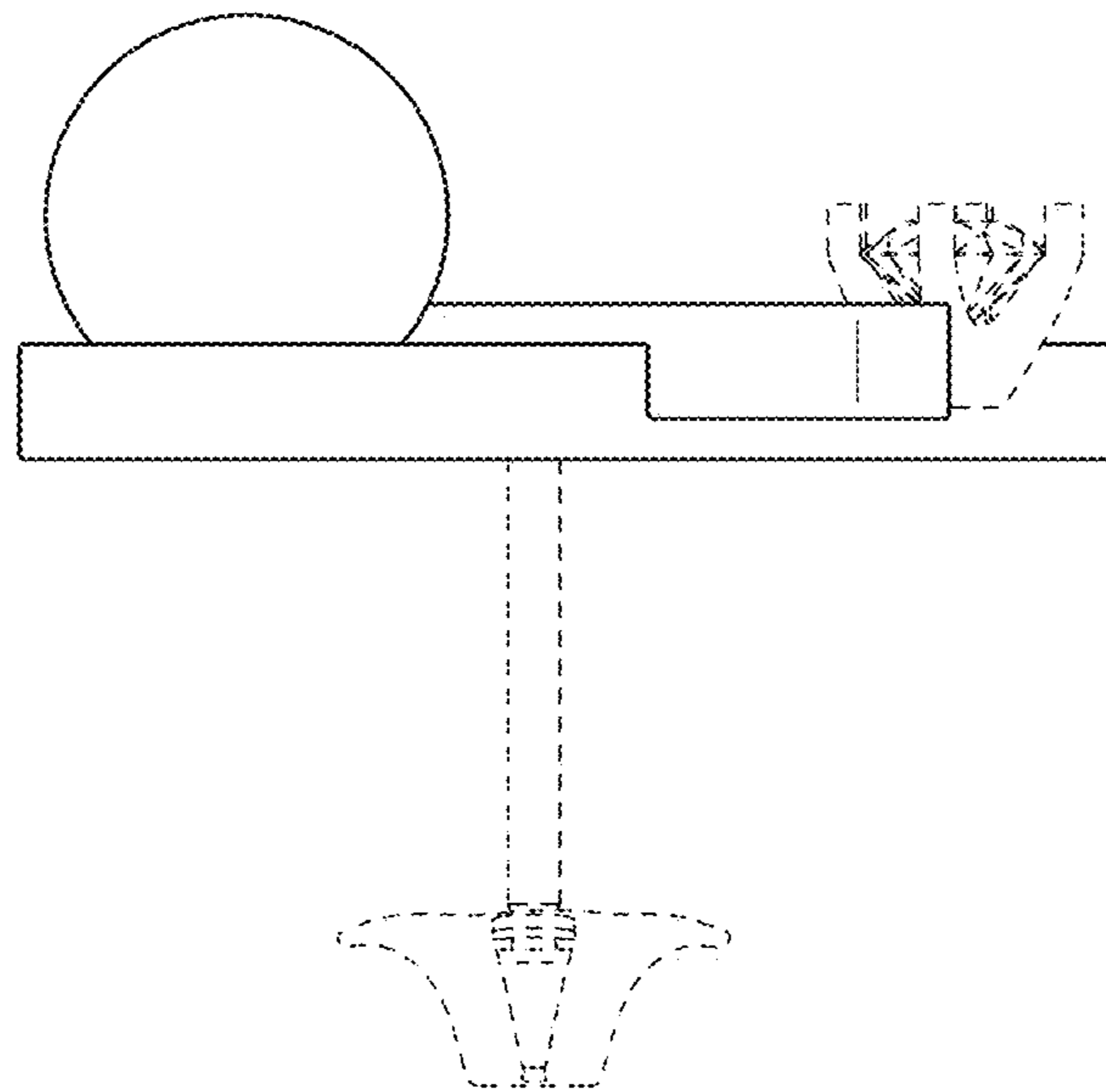
1.4



1.5



1.6



1.7

