



US00D914526S

(12) **United States Design Patent** (10) **Patent No.:** **US D914,526 S**  
**Lasserre** (45) **Date of Patent:** **\*\* Mar. 30, 2021**

(54) **DIAL**

(56) **References Cited**

(71) Applicant: **Harry Winston SA**, Plan-les-Ouates (CH)

U.S. PATENT DOCUMENTS

(72) Inventor: **Christophe Lasserre**, Geneva (CH)

D104,044 S *	4/1937	Ornstein	.....	D10/33
D220,050 S *	3/1971	Yammich	.....	D10/124
D319,193 S *	8/1991	Kwun	.....	D10/33
D619,024 S *	7/2010	Jeanneret	.....	D10/126
D627,249 S *	11/2010	Dias	.....	D10/129
D632,978 S *	2/2011	Duport	.....	D10/32
D693,719 S *	11/2013	Galvani	.....	D10/126
D729,097 S *	5/2015	Abdourahim	.....	D10/125
D797,595 S *	9/2017	Dominguez	.....	D10/126
D829,586 S *	10/2018	Kamilindi	.....	D10/125
D829,588 S *	10/2018	Blotacker	.....	D10/125
D829,589 S *	10/2018	Lasserre	.....	D10/125
D834,431 S *	11/2018	Galli	.....	D10/39
D864,780 S *	10/2019	Calvani	.....	D10/126
D880,330 S *	4/2020	Valzan	.....	D10/125

(73) Assignee: **Harry Winston SA**, Plan-les-Ouates (CH)

(\*\*) Term: **15 Years**

(21) Appl. No.: **29/694,335**

(22) Filed: **Jun. 10, 2019**

(30) **Foreign Application Priority Data**

\* cited by examiner

Dec. 28, 2018 (WO) ..... 970003784

*Primary Examiner* — Katherine Glennon

(51) **LOC (13) Cl.** ..... **10-07**

(74) *Attorney, Agent, or Firm* — Blank Rome LLP

(52) **U.S. Cl.**  
USPC ..... **D10/125**

(57) **CLAIM**

The ornamental design for a dial, as shown and described.

(58) **Field of Classification Search**

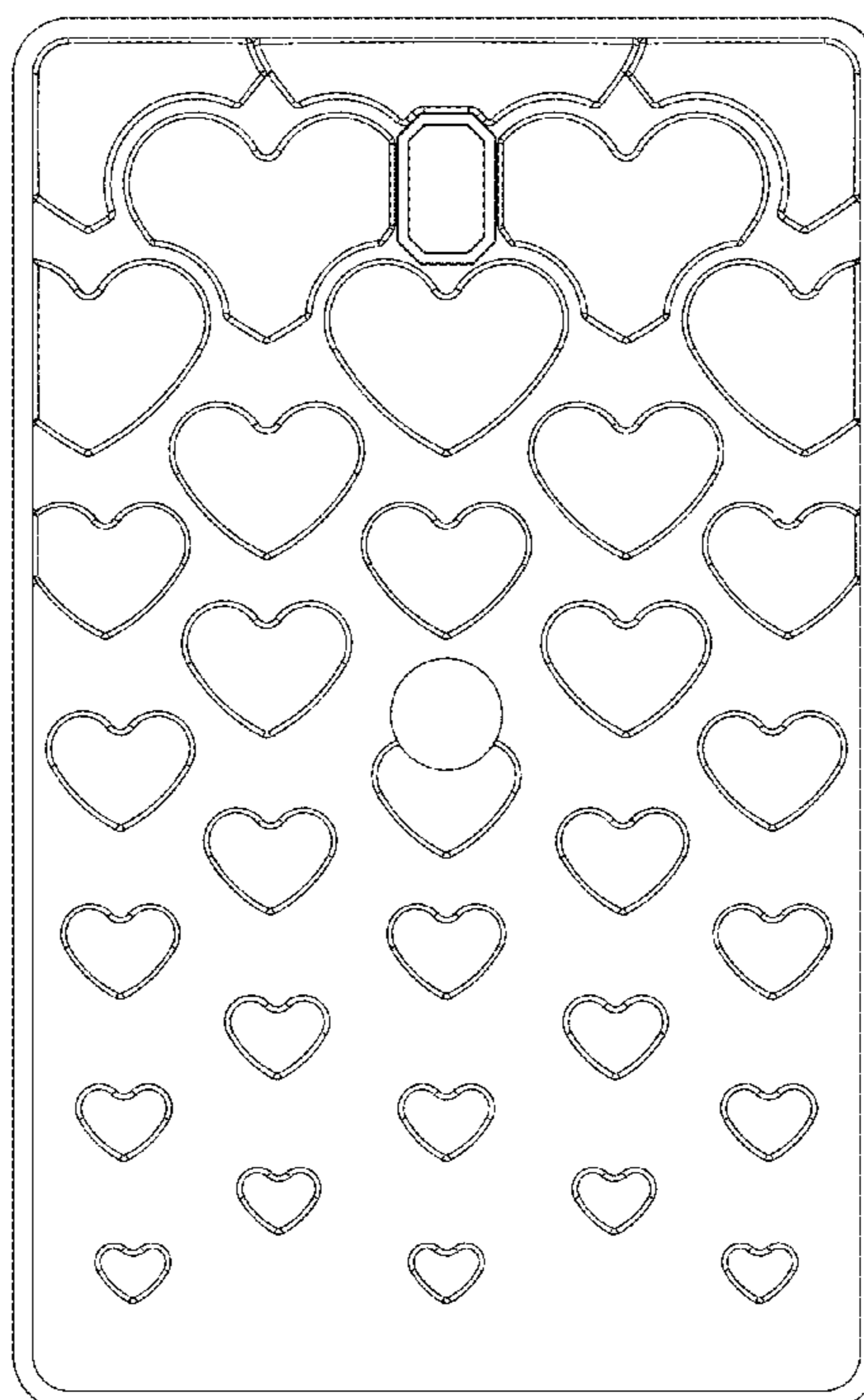
**DESCRIPTION**

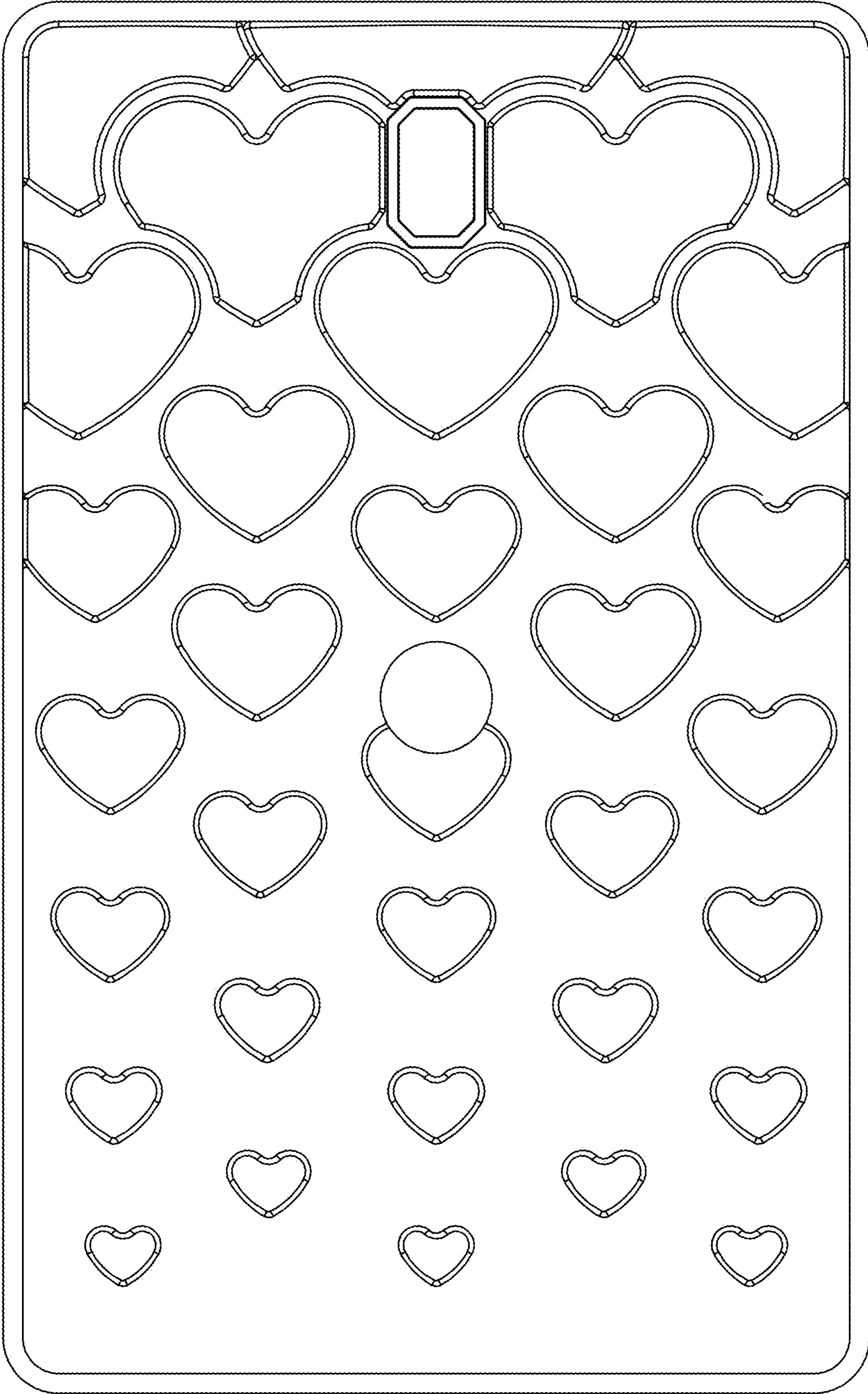
USPC ..... D10/30-39, 87, 102, 121-131; D14/344  
CPC ..... G04B 19/00; G04B 19/08; G04B 19/082;  
G04B 19/085; G04B 19/087; G04B  
19/10; G04B 19/103; G04B 19/12; G04B  
19/16; G04B 19/166; G04B 19/18; G04B  
19/22; G04B 19/24; G04B 29/00; G04B  
29/02; G04B 29/04; G04B 45/00; G04B  
45/02; G04B 45/0038; G04G 19/06;  
G04G 19/065; G04G 19/243; G04G  
19/283

FIG. 1 is a front view of a dial of the present design;  
FIG. 2 is a rear view thereof;  
FIG. 3 is a right side view thereof;  
FIG. 4 is a left side view thereof;  
FIG. 5 is a top view thereof;  
FIG. 6 is a bottom view thereof; and  
FIG. 7 is a front perspective view thereof; and,  
FIG. 8 is a rear perspective view thereof.

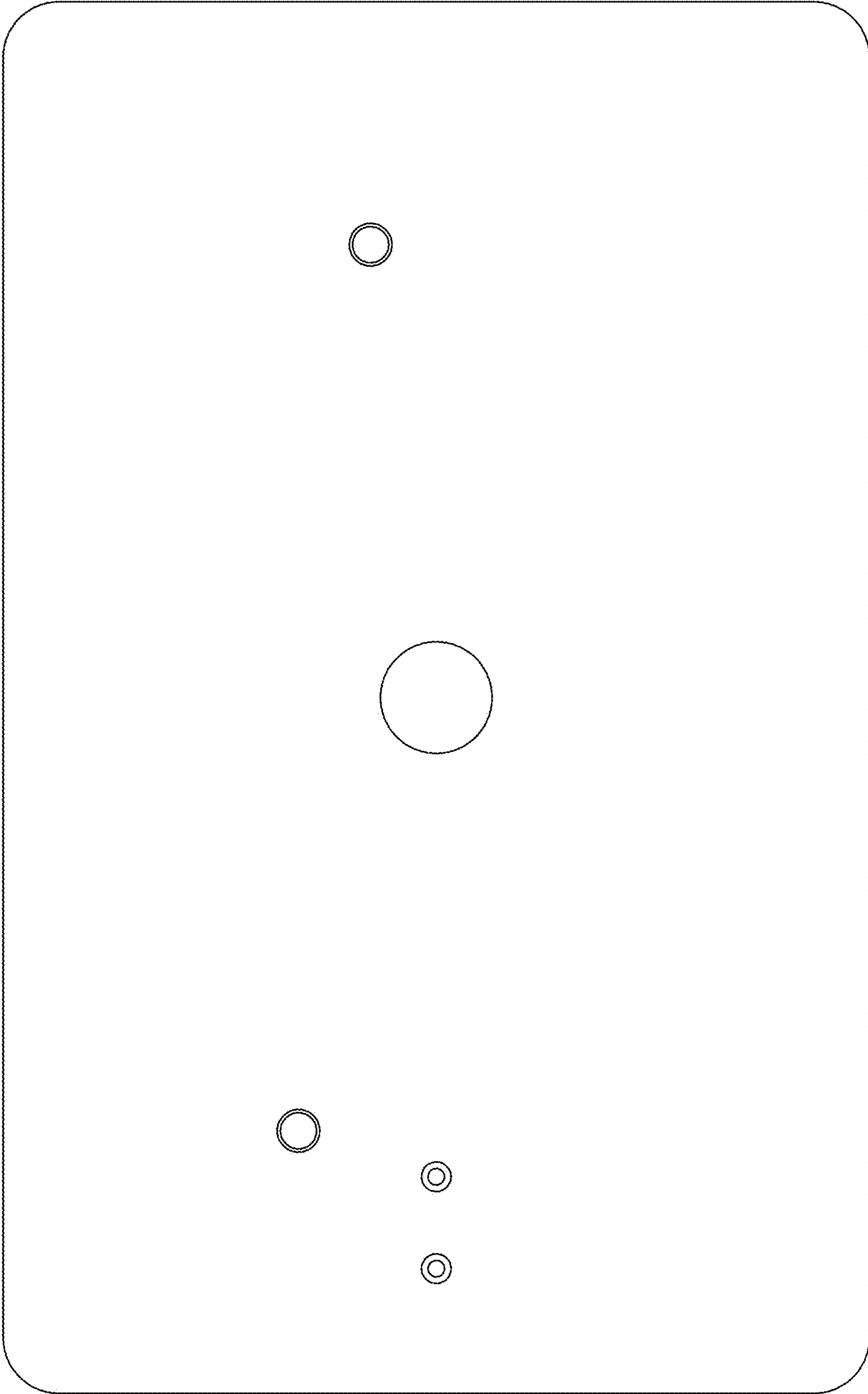
See application file for complete search history.

**1 Claim, 8 Drawing Sheets**

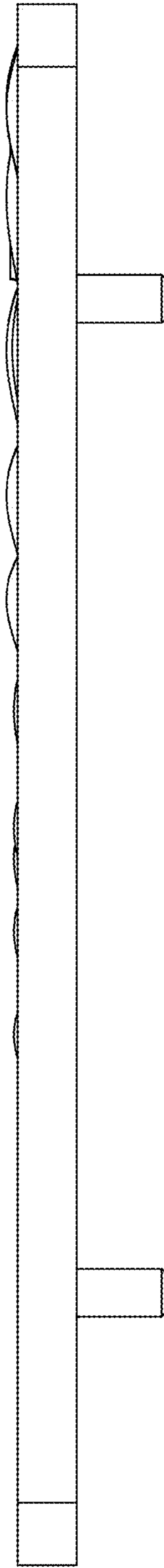




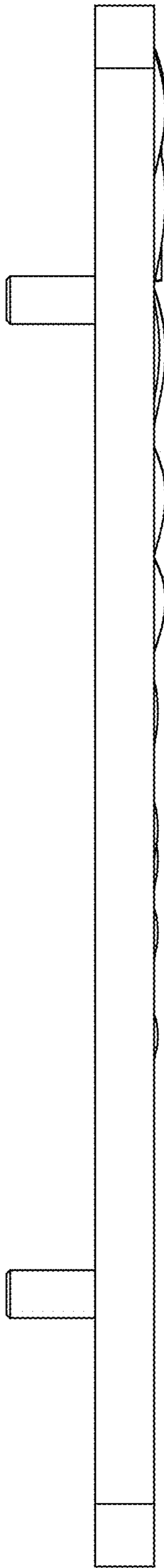
**FIG. 1**



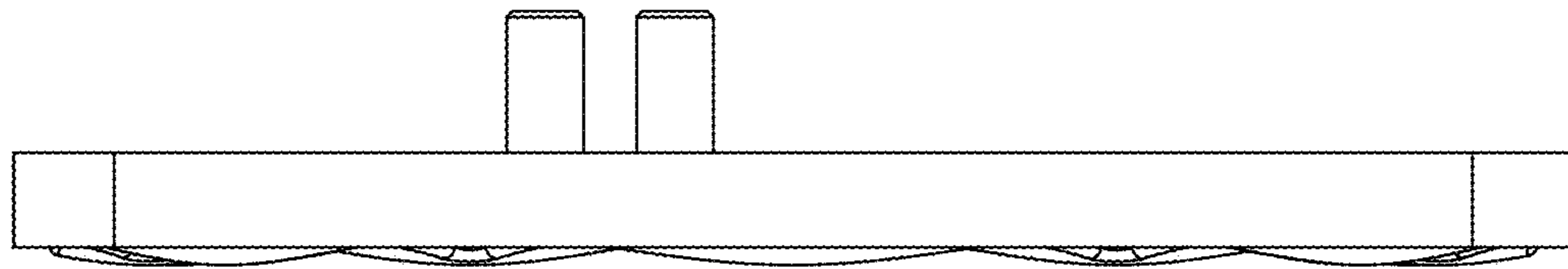
**FIG. 2**



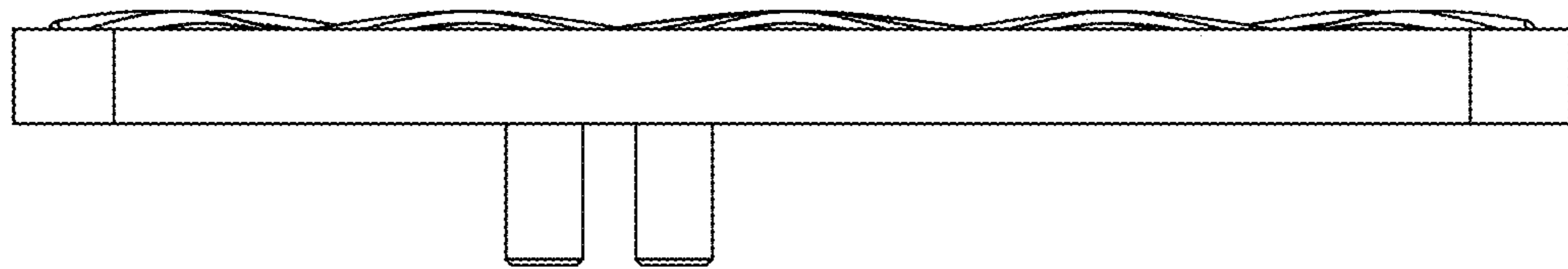
**FIG. 3**



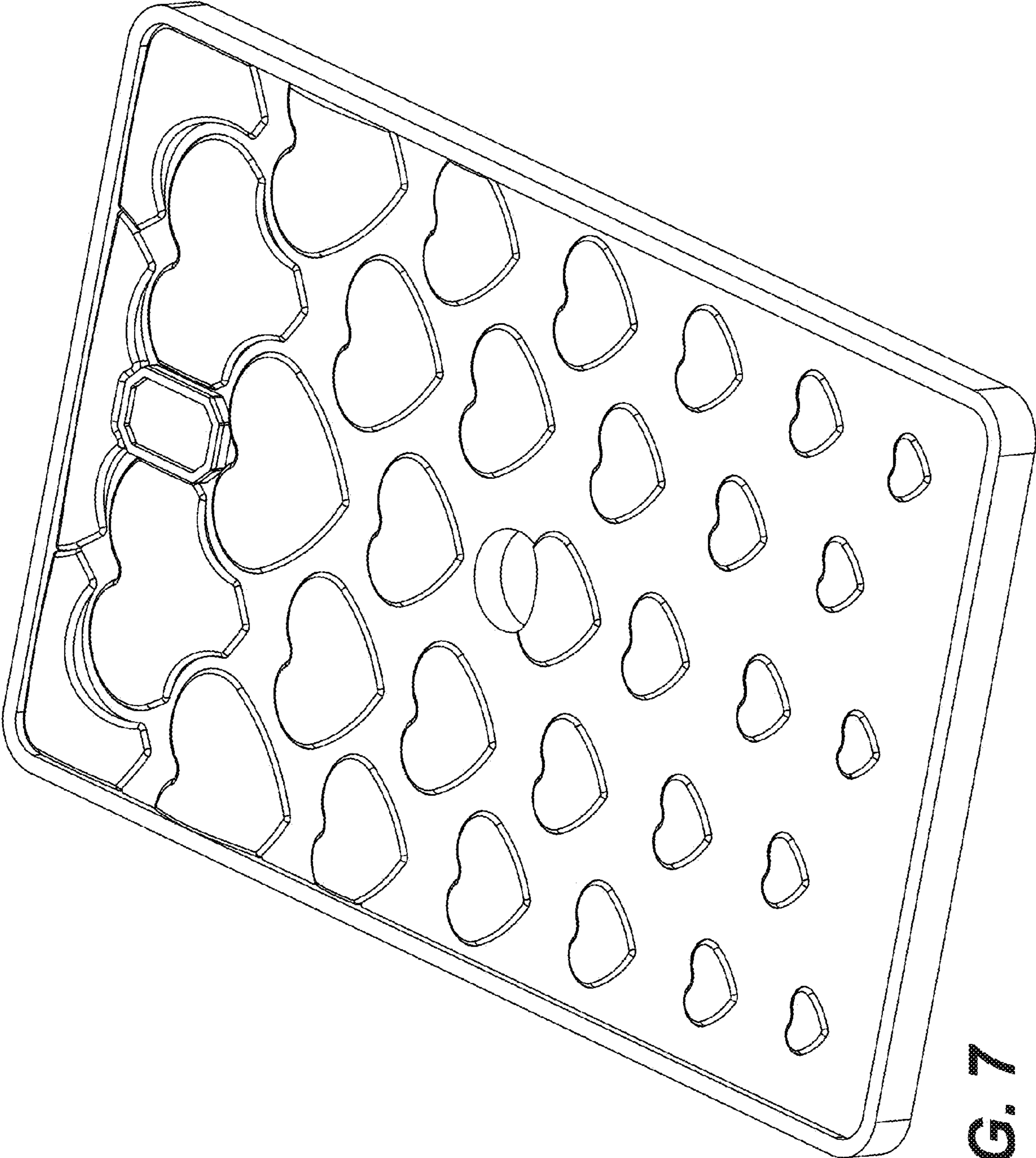
**FIG. 4**



***FIG. 5***



***FIG. 6***



**FIG. 7**



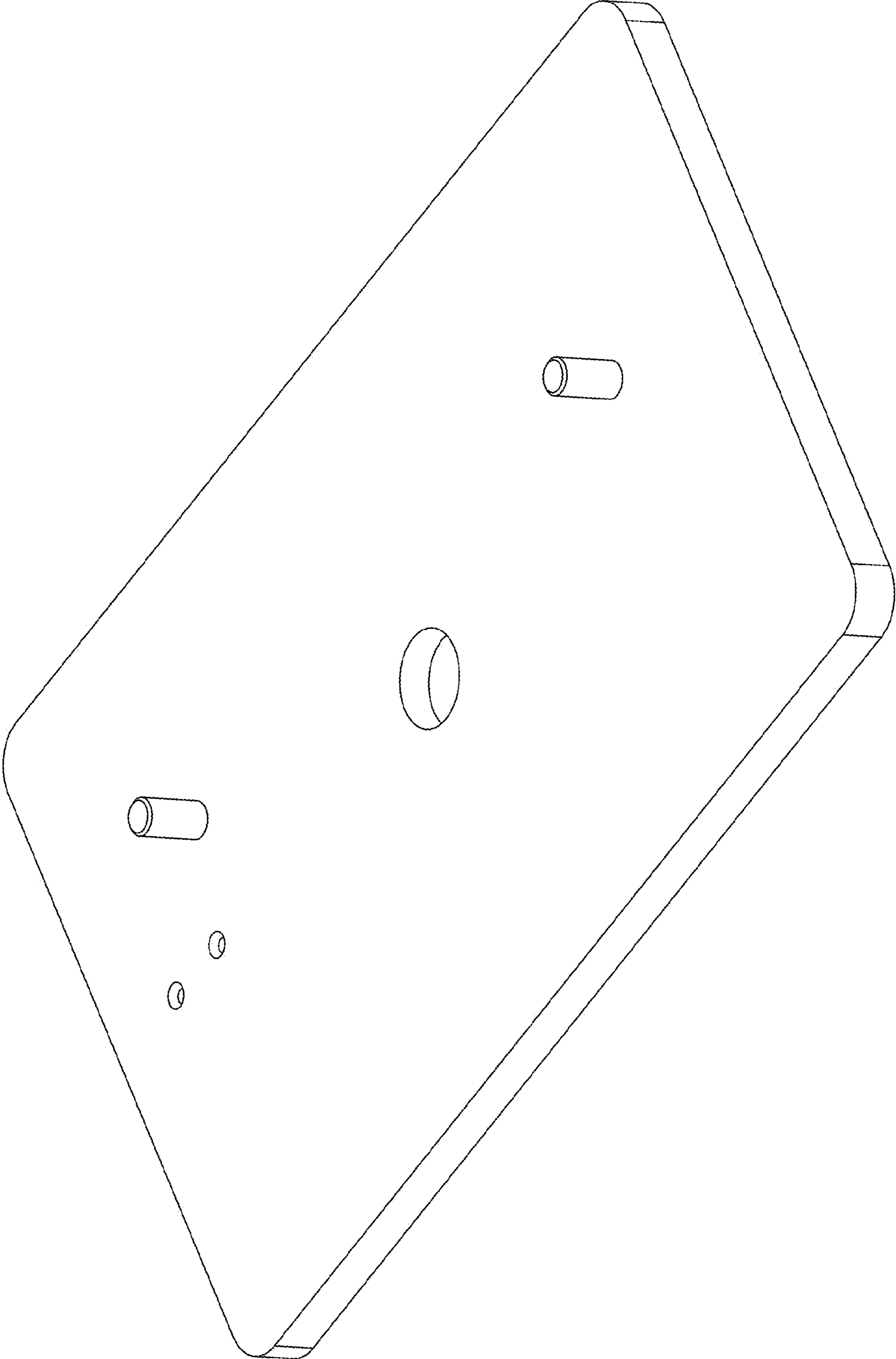


FIG. 8